



US00D873488S

(12) **United States Design Patent** (10) **Patent No.:** **US D873,488 S**
Philips et al. (45) **Date of Patent:** **** *Jan. 21, 2020**

(54) **SAFETY RAZOR HANDLE**

OTHER PUBLICATIONS

(71) Applicant: **Edgewell Personal Care Brands, LLC.**, Chesterfield, MO (US)
(72) Inventors: **Nigel Philips**, Hong Kong (CN); **Neil White**, Nottingham (GB)
(73) Assignee: **EDGEWELL PERSONAL CARE BRANDS, LLC**, Chesterfield, MO (US)
(*) Notice: This patent is subject to a terminal disclaimer.
(**) Term: **15 Years**
(21) Appl. No.: **29/635,643**
(22) Filed: **Feb. 1, 2018**
(51) **LOC (12) Cl.** **28-03**
(52) **U.S. Cl.**
USPC **D28/48**
(58) **Field of Classification Search**
USPC D28/46–48, 49–51
CPC ... B26B 21/00; B26B 21/08; B26B 21/14–38;
B26B 21/40; B26B 21/4006; B26B 21/4012–4031; B26B 21/4037; B26B 21/405–4056; B26B 21/4062; B26B 21/4068–4075; B26B 21/48; B26B 21/52–528
See application file for complete search history.

Bulldog Mens Skincare and Grooming Original Razors, 1 page, downloaded Sep. 12, 2019, reviewed as early as Jul. 2019 https://www.amazon.com/Bulldog-Mens-Skincare-Grooming-Original/dp/B07F1955GX/ref=cm_cr_ar_p_d_product_top?ie=UTF8 (Year: 2019).
RazoRock—Bamboo Razor Handle retrieved from <https://groomatorium.com/products/razorrock-bamboo-razor-handle-3161-stainless-steel-handle-only?variant=8418221555755>.
Thiers Issard Chatellerault Straight Razor 4/8", Bamboo Handle retrieved from https://www.fendrihan.com/products/thiers-issard-chatellerault-straight-razor-4-8-bamboo-handle?variant=30625638796&gclid=EAlalQobChMIssGr5frw2AIVIYTICH2uOAn7EAQYBSABEGK-3uPD_BwE.
Titanium razor handle Stork Razors—Bamboo retrieved from <https://www.panjo.com/buy/titanium-razor-handle-stork-razors-bamboo-337041>.
iKon Shave Craft 102 Slant Head Safety Razor with Bamboo Handle retrieved from <https://www.italianbarber.com/products/ikon-shave-craft-102-slant-head-safety-razor-with-bamboo-handle>.
Shaving Razor bamboo handle retrieved from https://www.etsy.com/listing/506708808/shaving-razor-bamboo-handle?ga_order=most_relevant&ga_search_type=all&ga_view_type=gallery&ga_search_query=shaverhandle&ref=sr_gallery-1-47.

* cited by examiner

Primary Examiner — Jennifer Rivard

(57) **CLAIM**

We claim the ornamental design for the safety razor handle, as shown and described.

DESCRIPTION

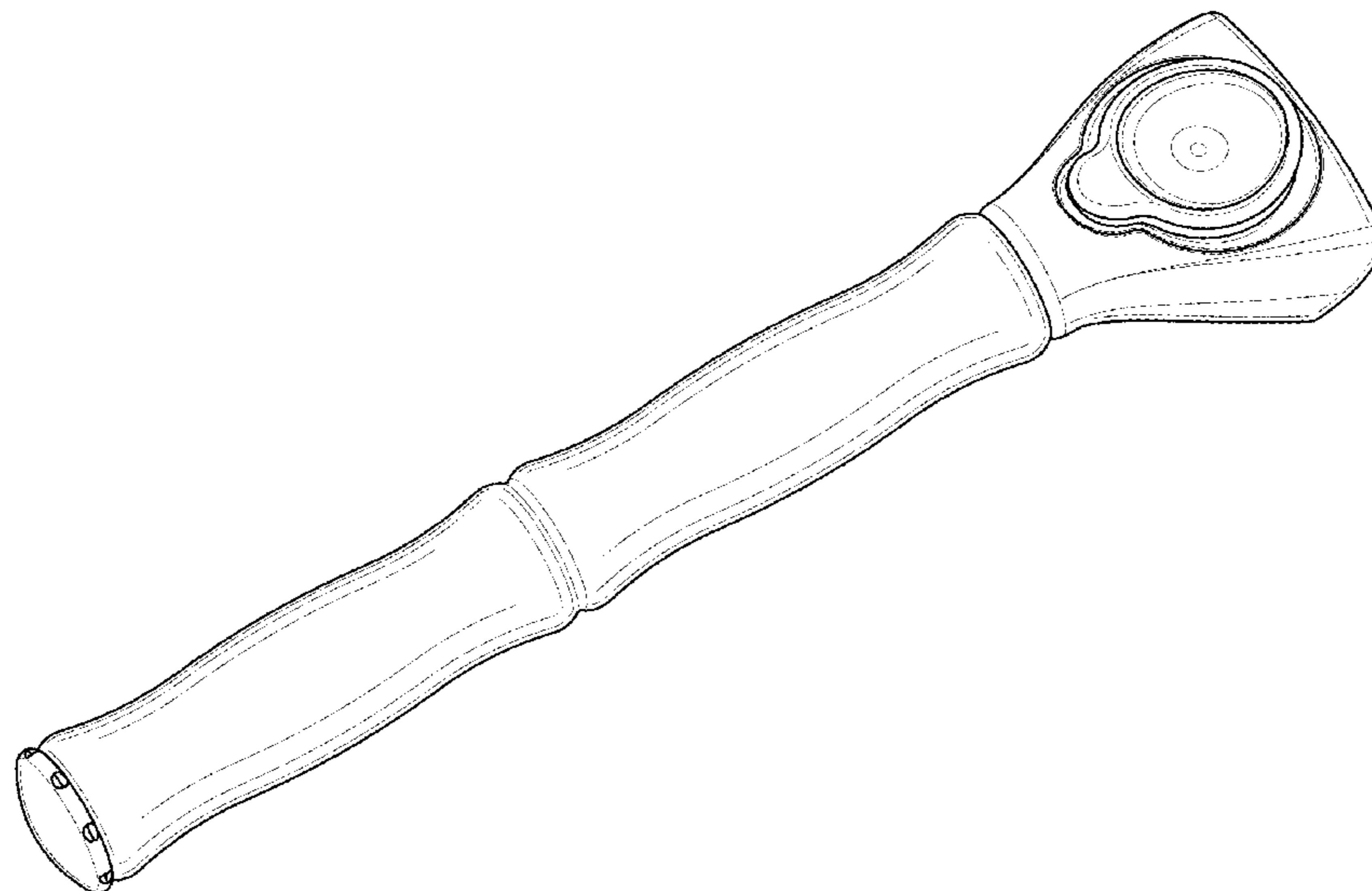
FIG. 1 is an upper perspective view of a safety razor handle. FIG. 2 is a lower perspective view thereof. FIG. 3 is a rear view thereof. FIG. 4 is a front view thereof. FIG. 5 is a left side view of FIG. 4. FIG. 6 is a right side view of FIG. 4. FIG. 7 is a top view thereof; and, FIG. 8 is a bottom view thereof.

1 Claim, 5 Drawing Sheets

(56) **References Cited**

U.S. PATENT DOCUMENTS

D68,146 S * 9/1925 Kuehnrich D28/46
D560,031 S 1/2008 Fischer et al.
D560,033 S 1/2008 Rhoad et al.
D567,442 S * 4/2008 McMullan D28/46
D700,995 S * 3/2014 Lee D28/48
D823,541 S * 7/2018 Wertz D28/46
D829,993 S * 10/2018 Hage D28/48



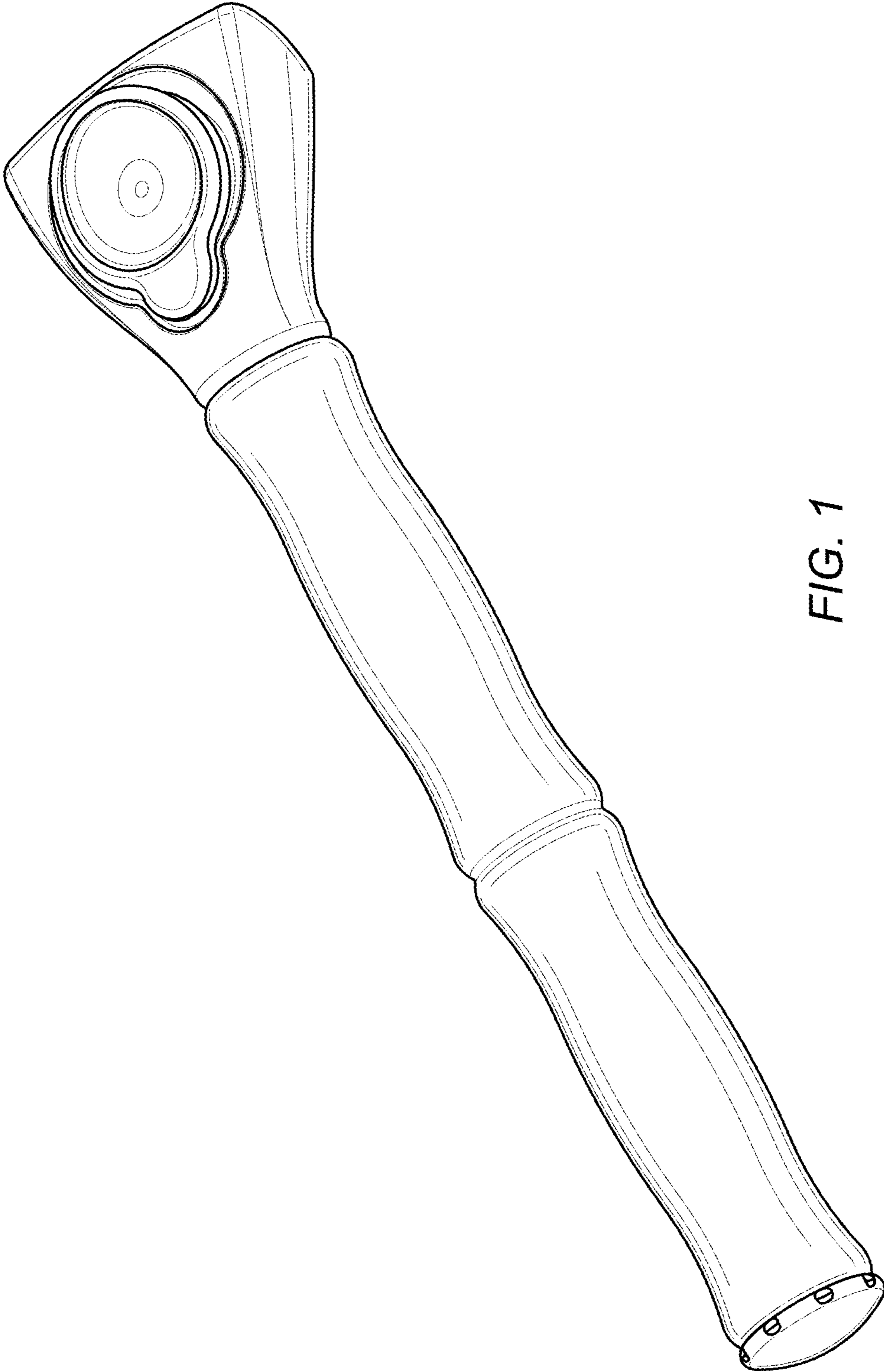


FIG. 1

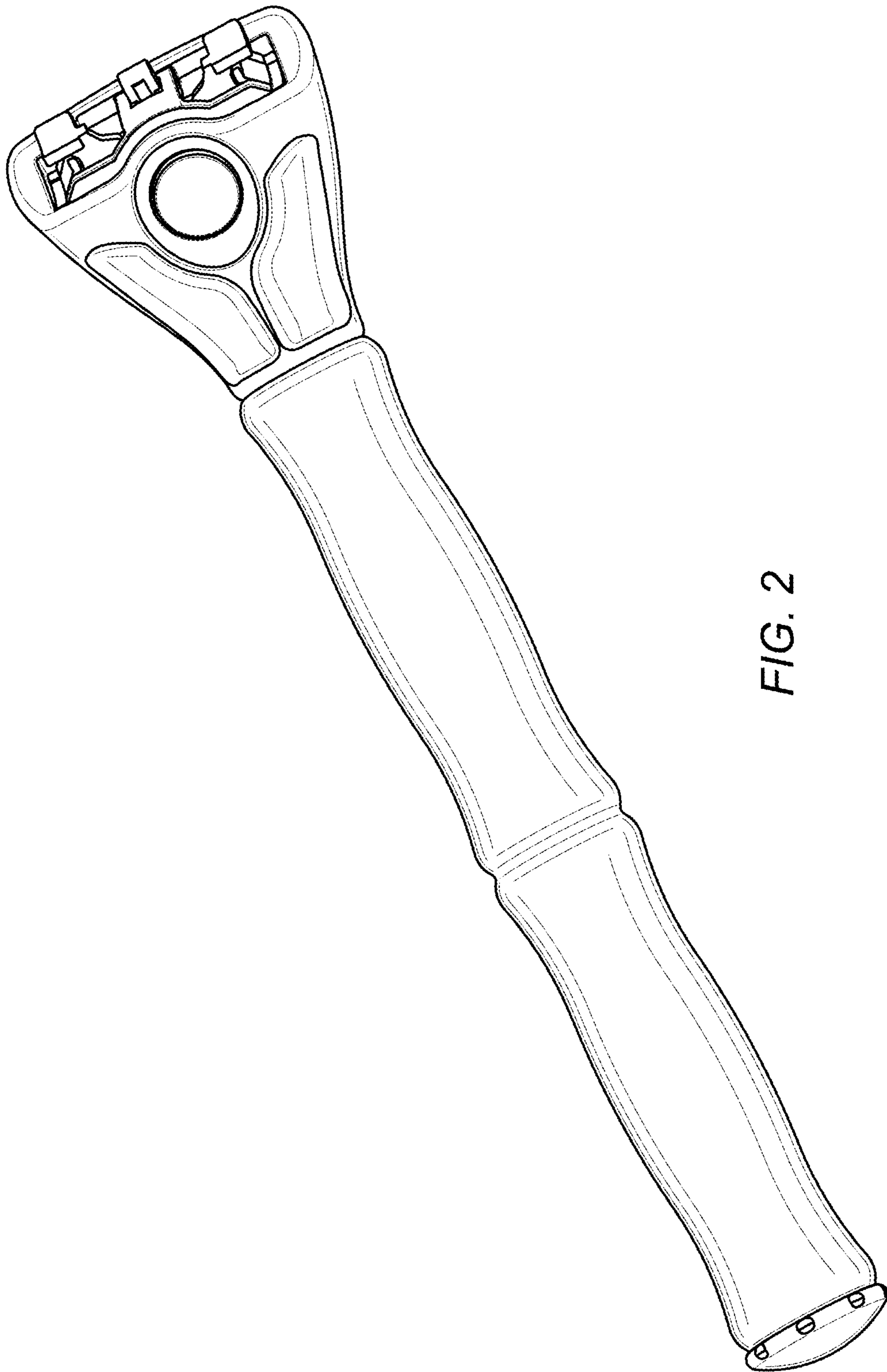


FIG. 2

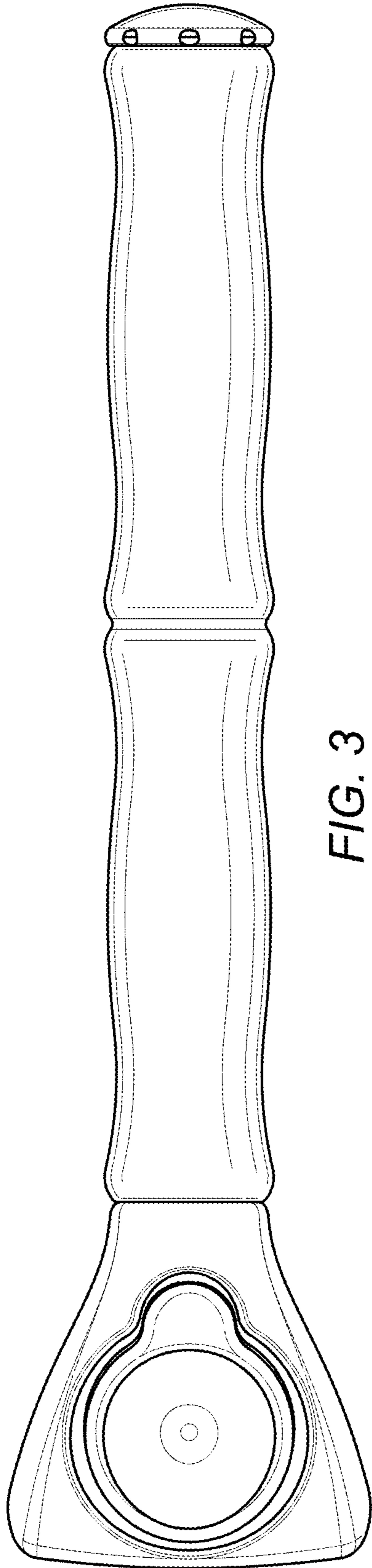


FIG. 3

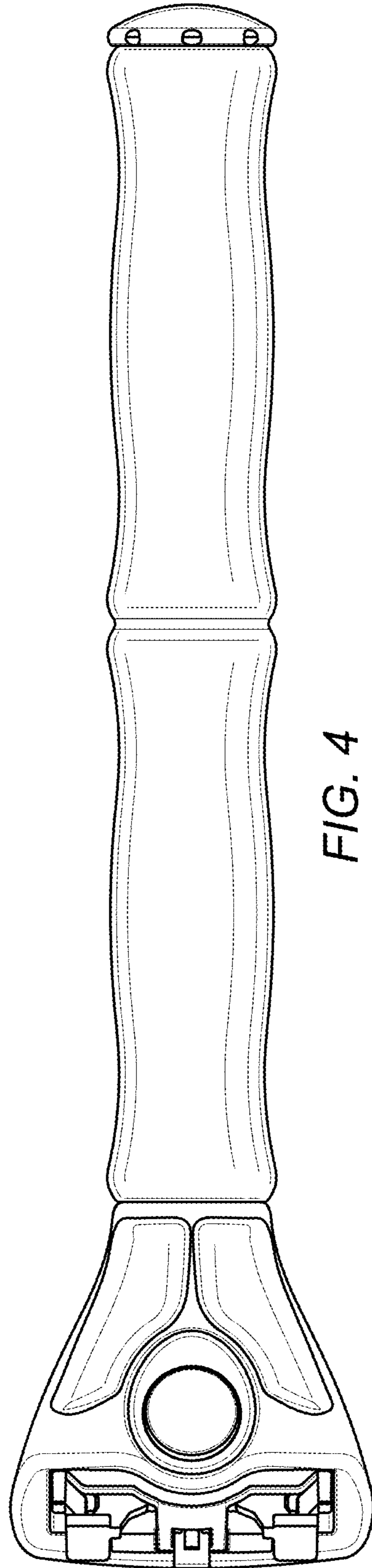


FIG. 4

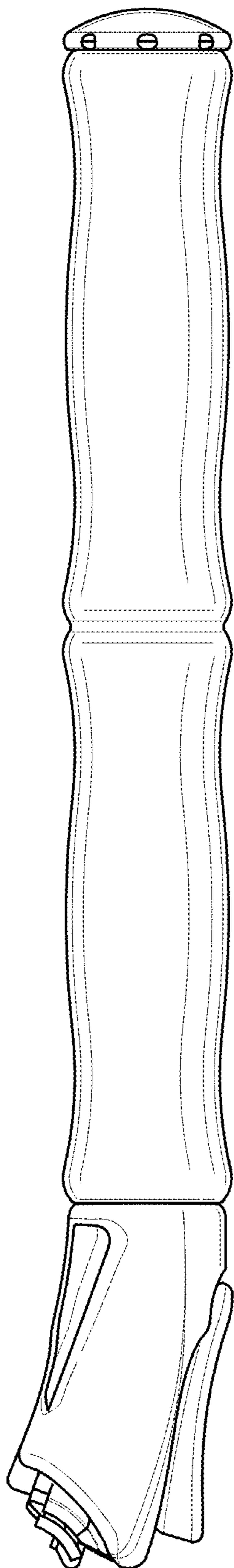


FIG. 5

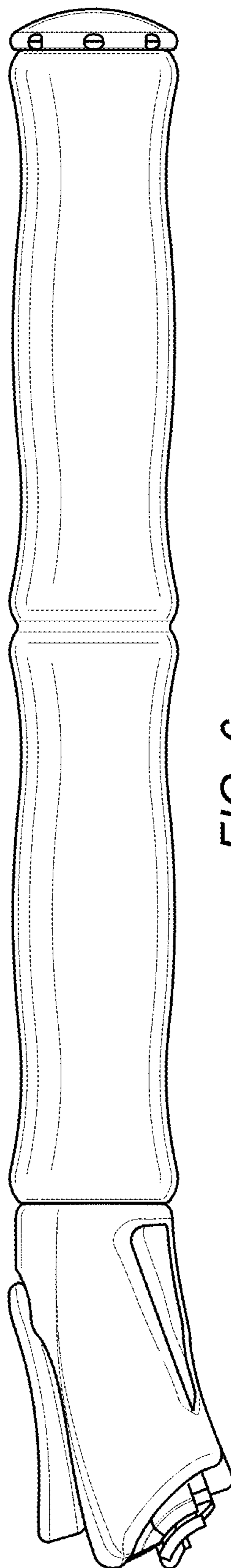


FIG. 6

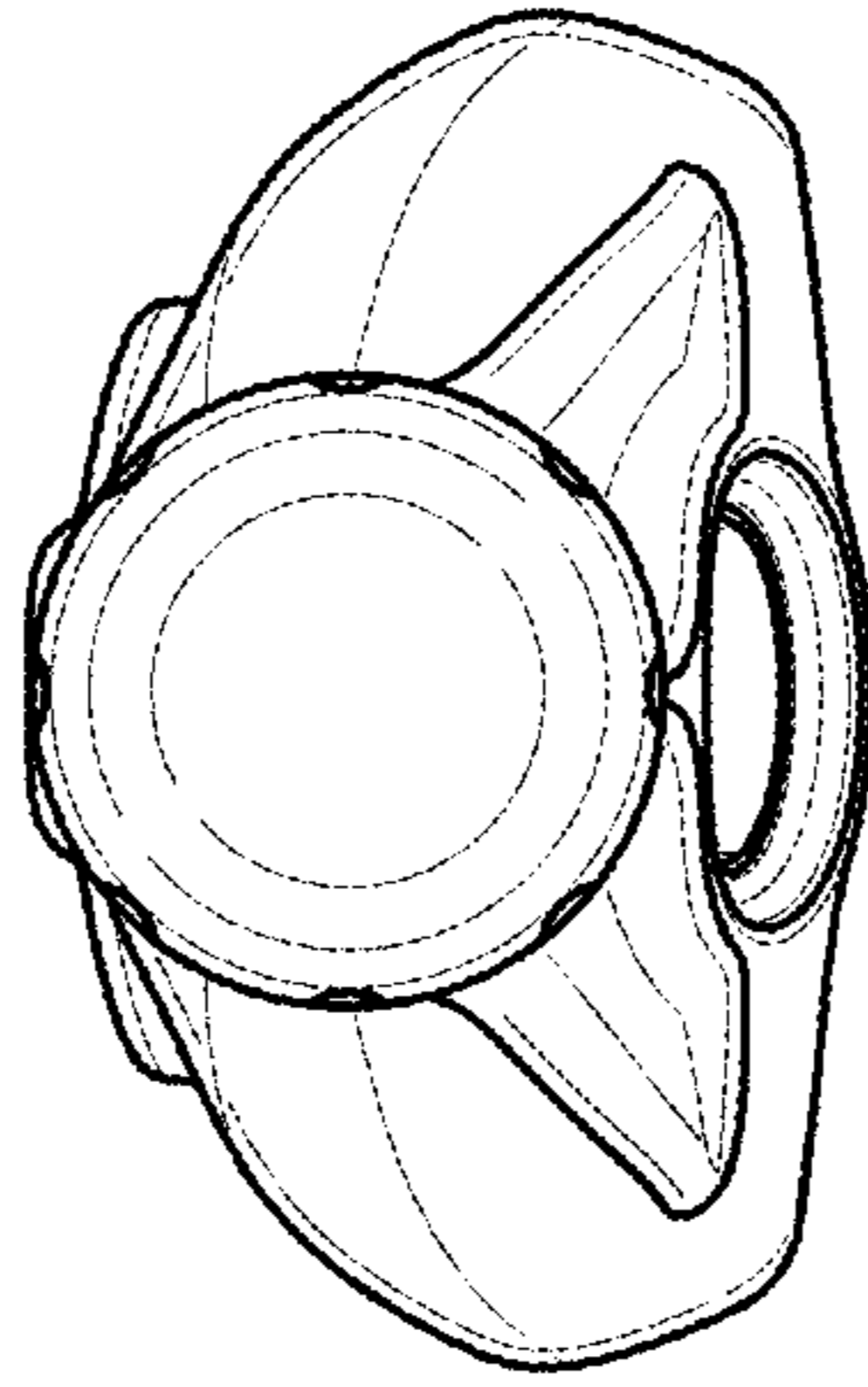


FIG. 8

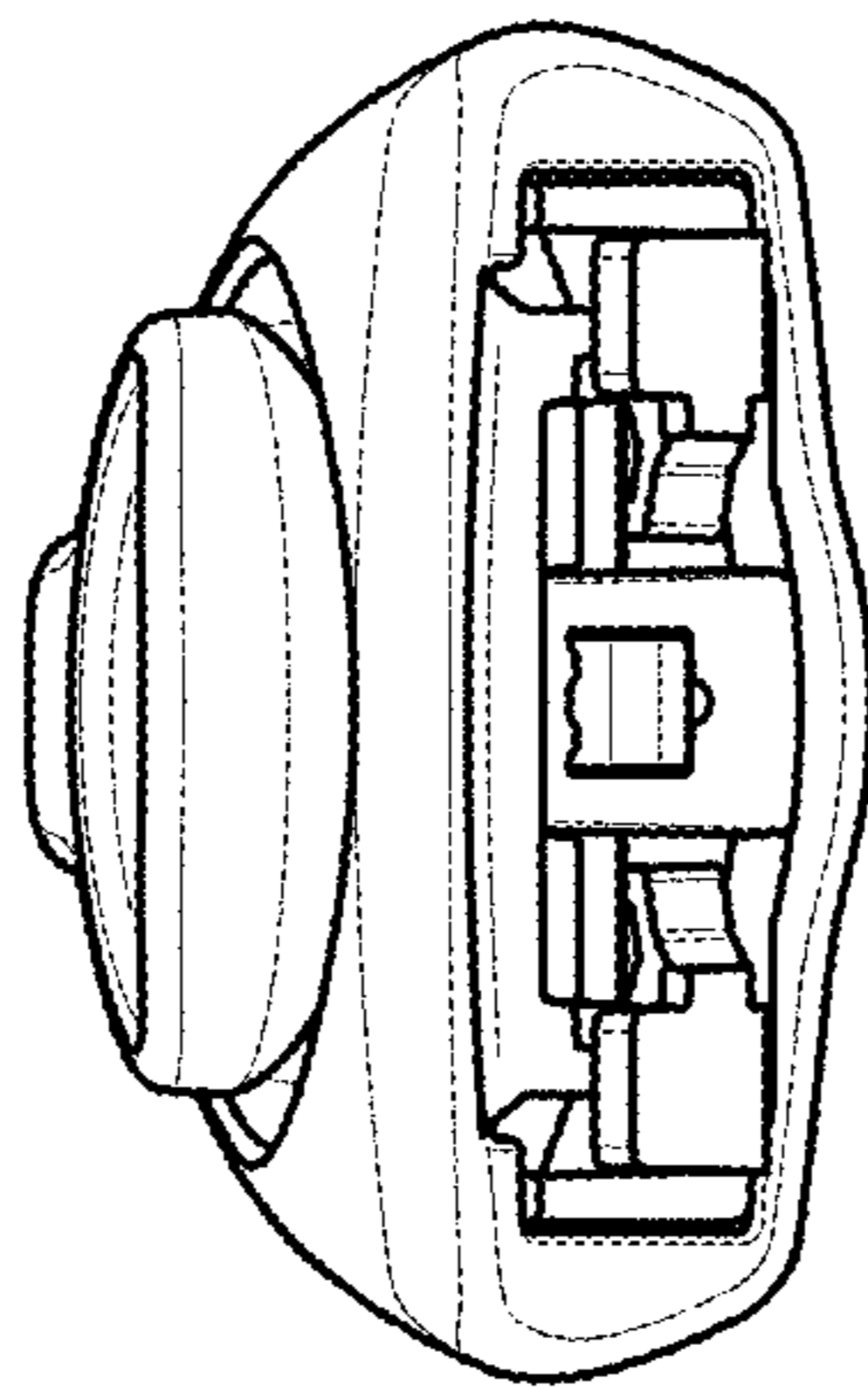


FIG. 7