



US00D873486S

(12) **United States Design Patent** (10) **Patent No.:** **US D873,486 S**
Hazan (45) **Date of Patent:** **** Jan. 21, 2020**

(54) **LASER EPILATOR**
(71) Applicant: **EPILADY 2000, L.L.C.**, Hazor Haglilit (IL)
(72) Inventor: **Izaq Hazan**, Herzelia pituah (IL)
(73) Assignee: **EPILADY 2000, L.L.C.**, Hazor Haglilit (IL)
(**) Term: **15 Years**
(21) Appl. No.: **29/659,087**
(22) Filed: **Aug. 6, 2018**
(30) **Foreign Application Priority Data**
May 4, 2018 (EP) 005257458-0001
May 4, 2018 (EP) 005257458-0002
(51) **LOC (12) Cl.** **28-03**
(52) **U.S. Cl.**
USPC **D28/44.1**; D24/209; D24/214
(58) **Field of Classification Search**
USPC D28/44.1, 44; D24/209, 133, 146, 214;
D19/158–159, 162–163, 901, 179, 161
CPC .. A61B 2018/0047; A61B 2018/00452; A61B
2018/00476; A61B 18/00; A61B 18/203;
A45D 26/00; A45D 26/0004–0009
See application file for complete search history.

(56) **References Cited**
U.S. PATENT DOCUMENTS
D368,984 S * 4/1996 Nakashima D28/53
D443,301 S * 6/2001 Robb D14/411
D503,495 S * 3/2005 Maeda D28/53
D589,649 S * 3/2009 Tamsiran D28/44.1
D602,202 S * 10/2009 Leventhal D28/53
D695,903 S * 12/2013 Tamsiran D24/209
D772,407 S * 11/2016 Zhang D24/133
D787,083 S * 5/2017 Ely D24/209
D820,464 S * 6/2018 Gabriele D24/209

2011/0118733 A1* 5/2011 Liu A61B 18/1477
606/42
2018/0235805 A1* 8/2018 Burger A61F 7/00
2018/0353101 A1* 12/2018 Ouwerkerk A61B 5/068
2019/0133686 A1* 5/2019 Tankovich A61B 18/203

OTHER PUBLICATIONS

Absolute Laser Stylus, 1 page, downloaded Aug. 18, 2019, no reviews <https://www.macys.com/shop/product/epilady-absolute-laser-stylus?ID=9440748> (Year: 2019).*

* cited by examiner

Primary Examiner — Jennifer Rivard
(74) *Attorney, Agent, or Firm* — Stein IP, LLC

(57) **CLAIM**

The ornamental design for a laser epilator, as shown and described.

DESCRIPTION

Embodiment 1
FIG. 1 is a perspective view of a first embodiment of a laser epilator showing my design;
FIG. 2 is a front elevation view thereof;
FIG. 3 is a back elevation view thereof;
FIG. 4 is a left side elevation view thereof;
FIG. 5 is a right side elevation view thereof;
FIG. 6 is a top plan view thereof, and
FIG. 7 is a bottom plan view thereof.
Embodiment 2
FIG. 8 is a perspective view with cap on of a second embodiment of a laser epilator showing my design;
FIG. 9 is a front elevation view thereof;
FIG. 10 is a back elevation view thereof;
FIG. 11 is a left side elevation view thereof;
FIG. 12 is a right side elevation view thereof
FIG. 13 is a top plan view thereof; and,
FIG. 14 is a bottom plan view thereof.

1 Claim, 6 Drawing Sheets



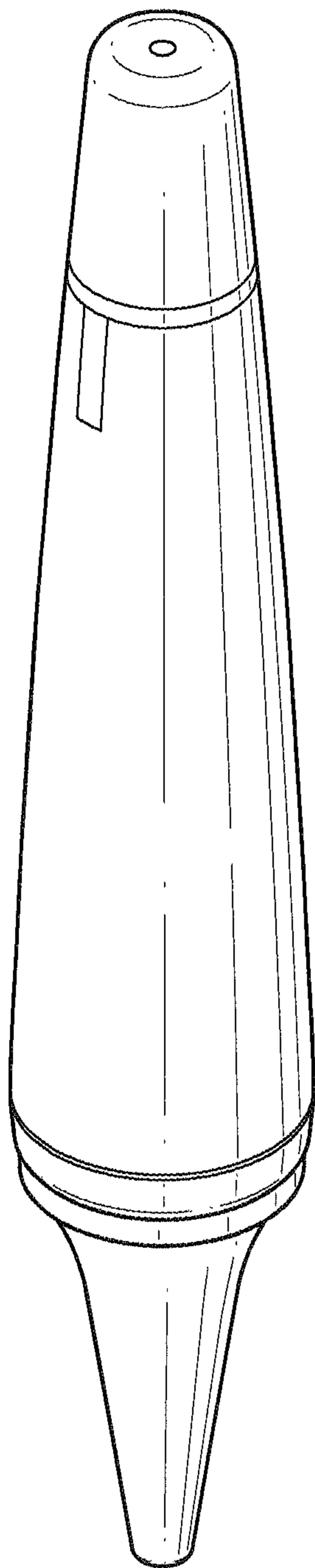


FIG. 1

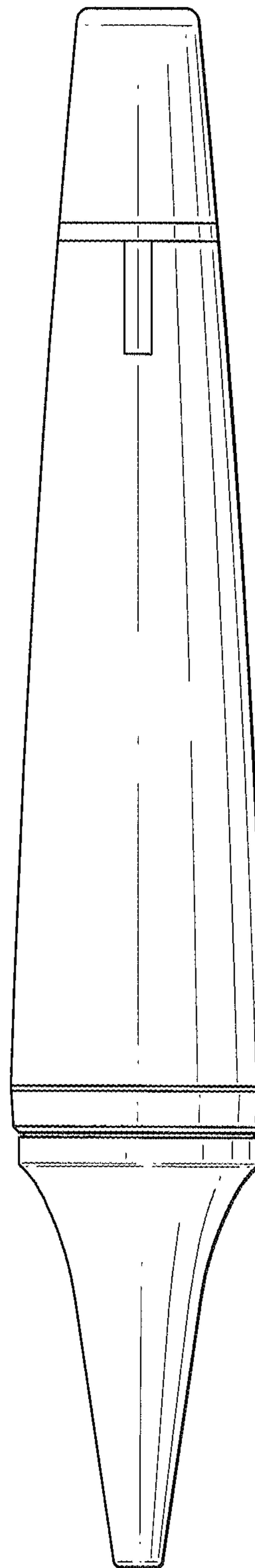


FIG. 2

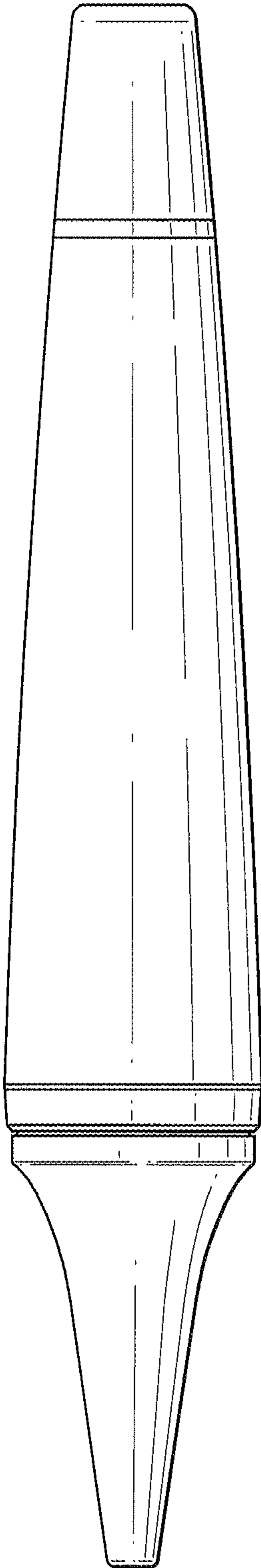


FIG. 3

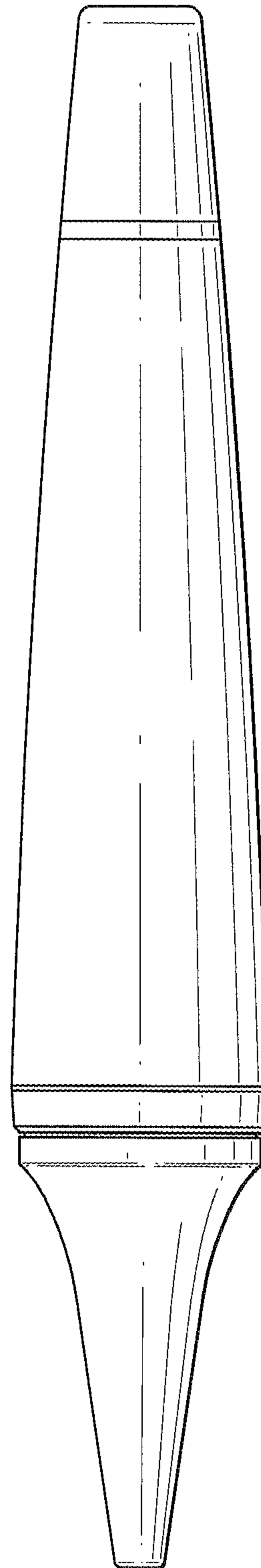


FIG. 4

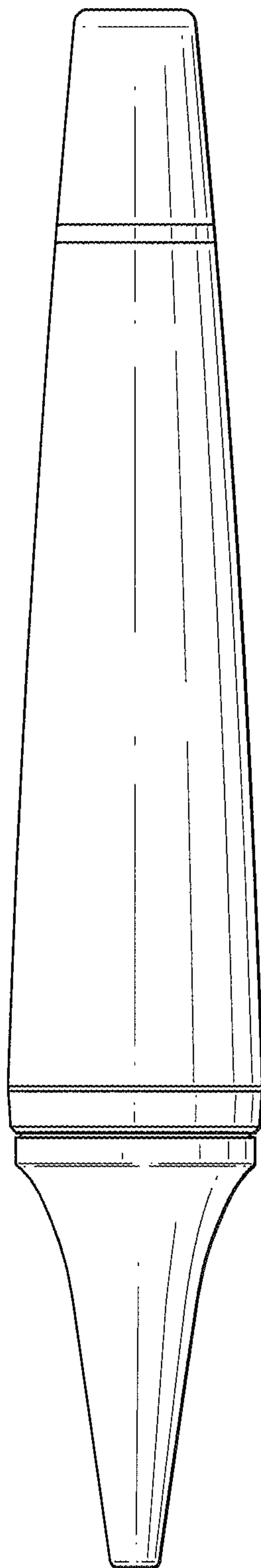


FIG. 5

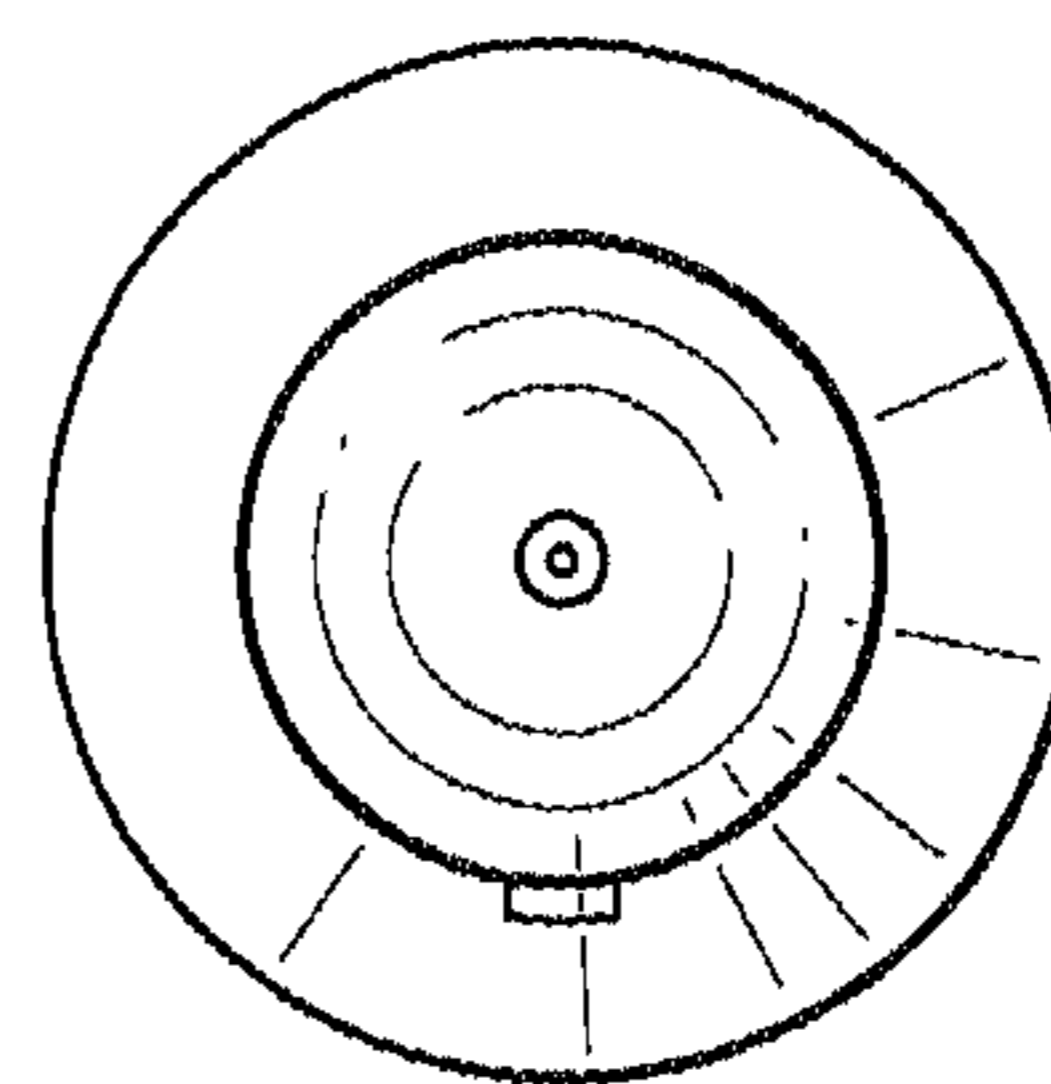


FIG. 6

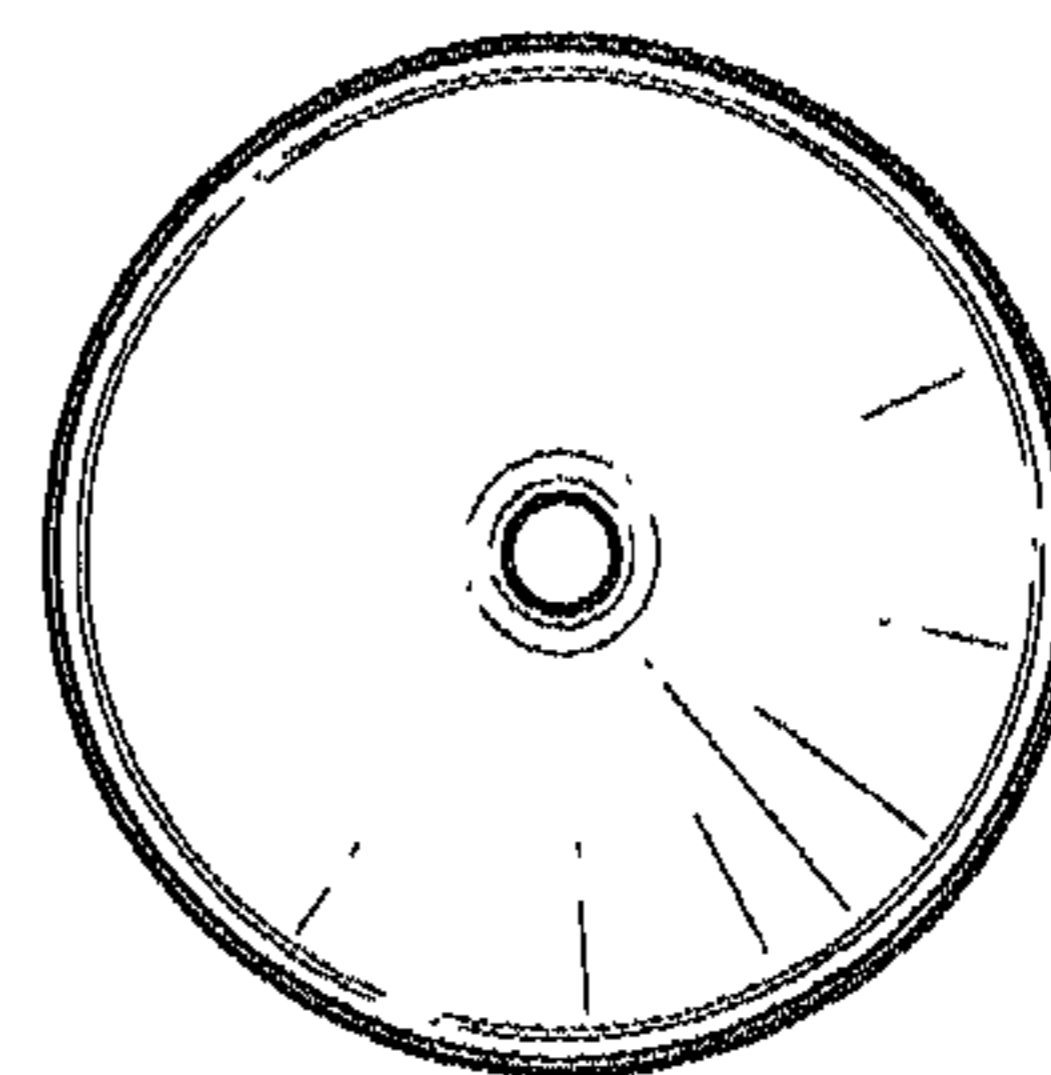


FIG. 7

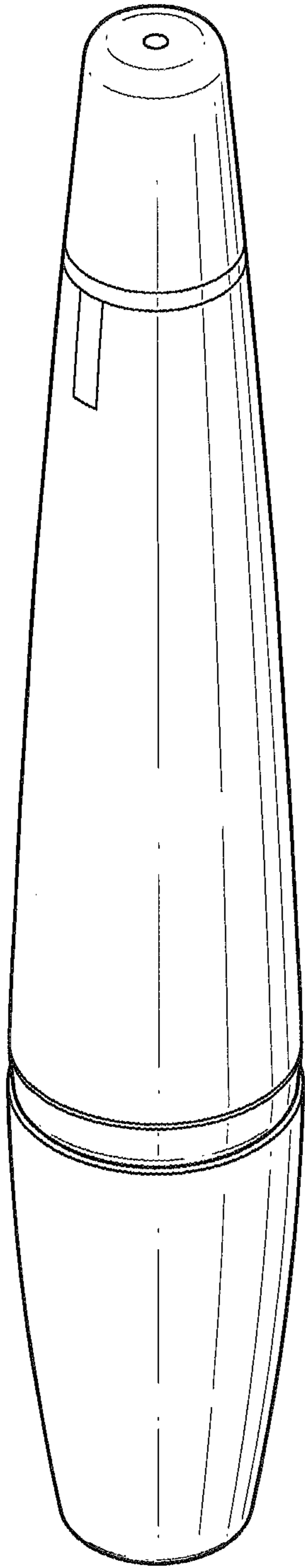


FIG. 8

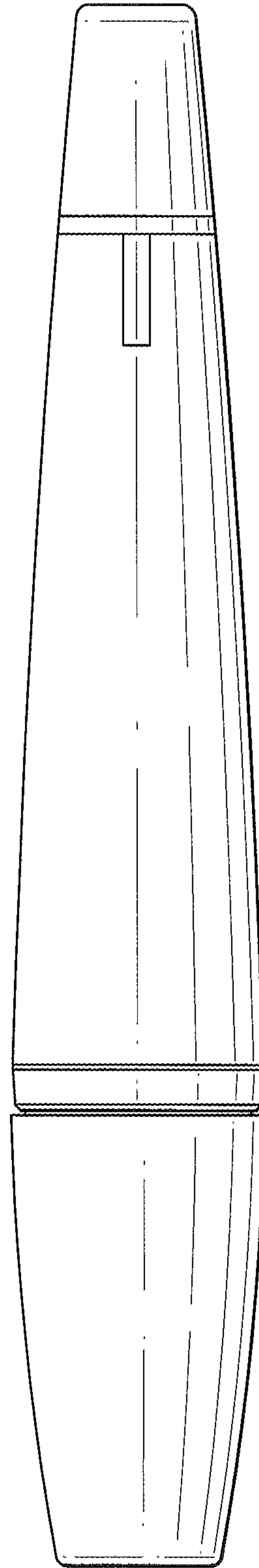


FIG. 9

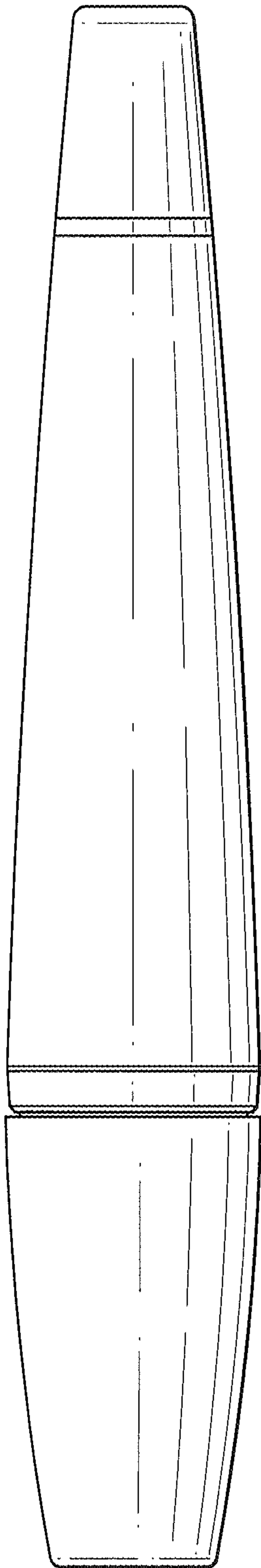


FIG. 10

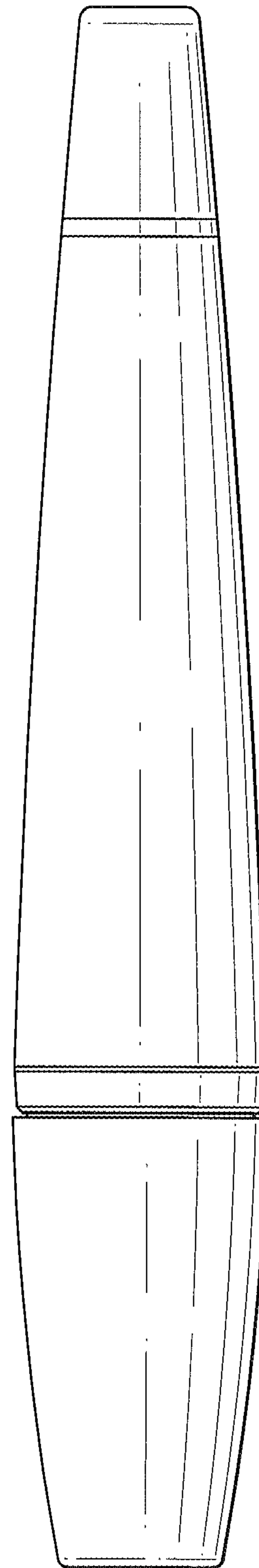


FIG. 11

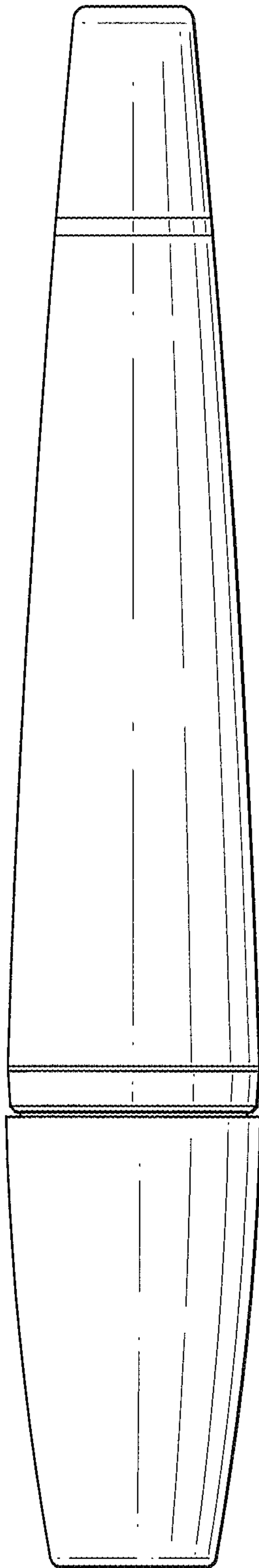


FIG. 12

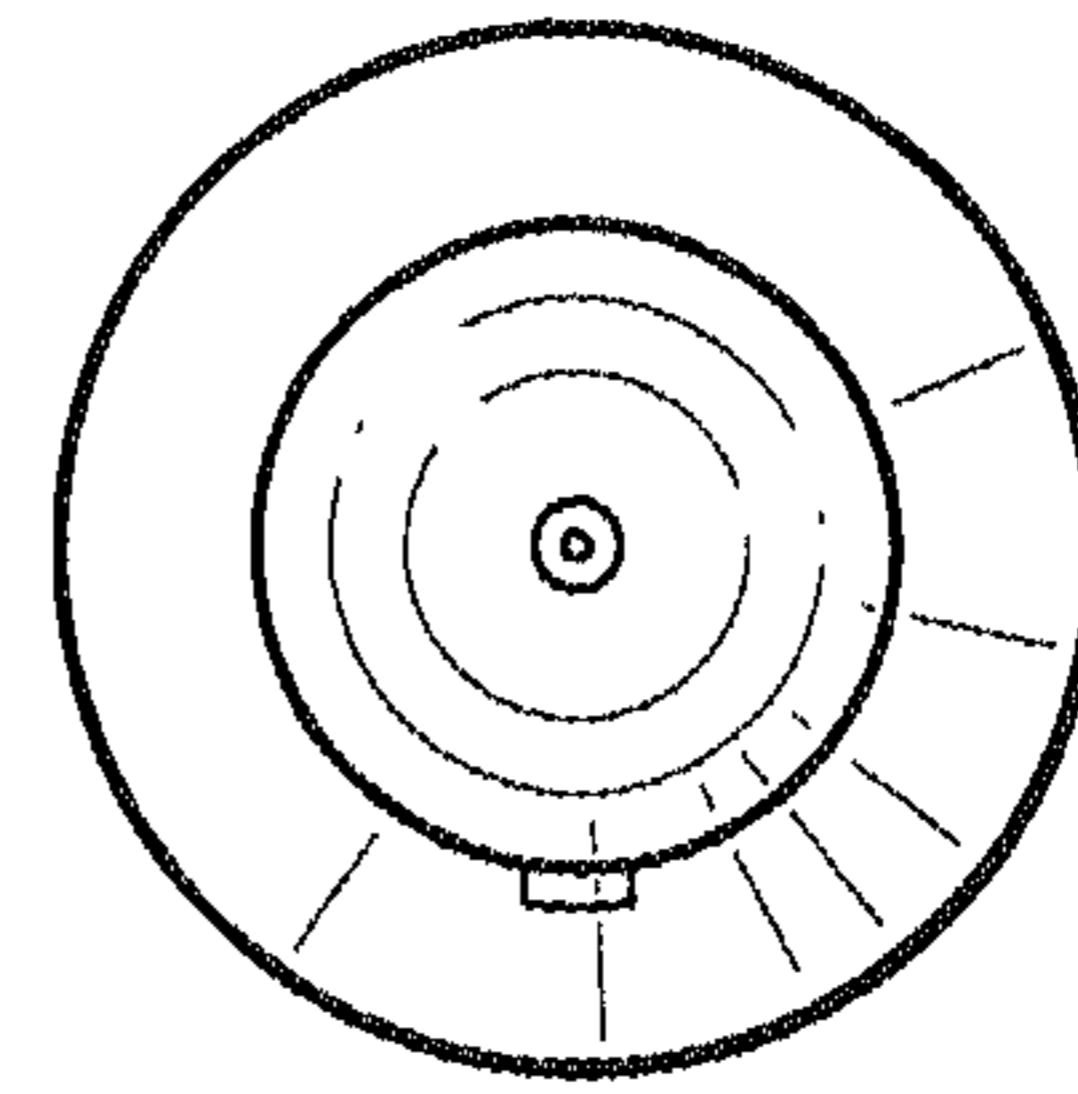


FIG. 13

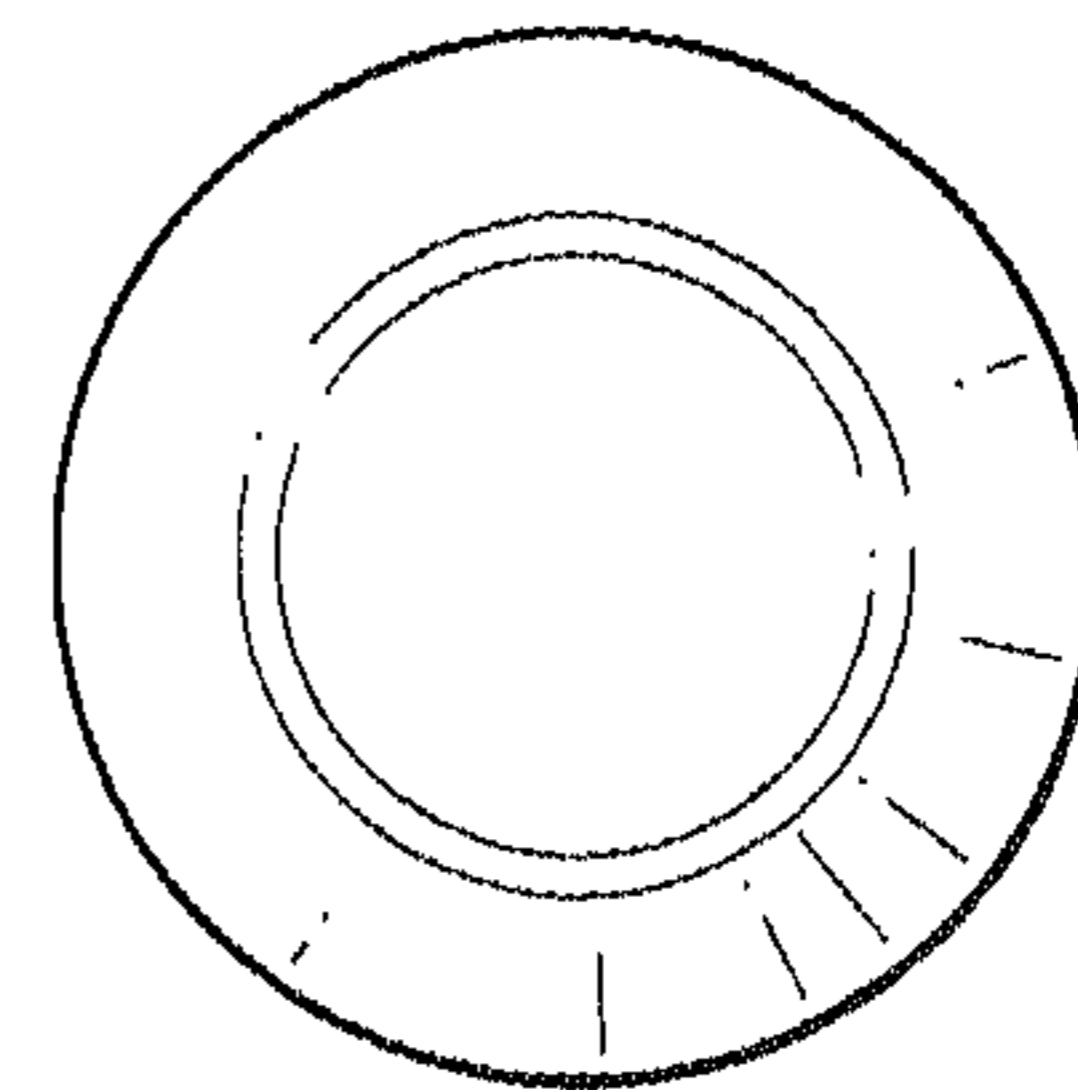


FIG. 14