

US00D873485S

(12) **United States Design Patent**  
**Julemont**

(10) **Patent No.:** **US D873,485 S**

(45) **Date of Patent:** **\*\* Jan. 21, 2020**

(54) **HAIR STYLING APPARATUS**

(71) Applicant: **BABYLISS FACO SPRL**, Wandre (BE)

(72) Inventor: **Pierre Julemont**, Soumagne (BE)

(73) Assignee: **BABYLISS FACO SPRL**, Wandre (BE)

(\*\*) Term: **15 Years**

(21) Appl. No.: **29/625,247**

(22) Filed: **Nov. 8, 2017**

(30) **Foreign Application Priority Data**

May 9, 2017 (EM) ..... 003992692-0001

(51) **LOC (12) Cl.** ..... **28-03**

(52) **U.S. Cl.**  
USPC ..... **D28/35**

(58) **Field of Classification Search**  
USPC ..... D28/35-38  
CPC ..... A45D 2/12; A45D 2/14; A45D 2/36-367;  
A45D 2/001-002; A45D 2/06; A45D  
2/40; A45D 1/00; A45D 1/02-04; A45D  
1/06; A45D 1/10; A45D 1/16; A45D 1/28  
See application file for complete search history.

(56) **References Cited**

**U.S. PATENT DOCUMENTS**

D696,456 S \* 12/2013 Julemont ..... D28/35  
D717,000 S \* 11/2014 Julemont ..... D28/35  
D743,624 S \* 11/2015 Richmond ..... D28/35  
9,185,957 B2 \* 11/2015 Richmond ..... A45D 2/36

D759,306 S \* 6/2016 Delassus ..... D28/35  
D773,119 S \* 11/2016 Yue ..... D28/35  
D783,897 S \* 4/2017 Kong ..... D28/35  
D785,242 S \* 4/2017 Julemont ..... D28/35  
D797,994 S \* 9/2017 Yan ..... D28/35  
2015/0114425 A1\* 4/2015 Park ..... A45D 1/04  
132/229  
2015/0196105 A1\* 7/2015 Leung ..... A45D 1/04  
132/228  
2015/0201727 A1\* 7/2015 De Benedictis ..... A45D 2/02  
132/211  
2015/0216281 A1\* 8/2015 De Benedictis ..... A45D 2/02  
132/230

\* cited by examiner

*Primary Examiner* — Jennifer Rivard

(74) *Attorney, Agent, or Firm* — McCormick, Paulding & Huber PLLC

(57) **CLAIM**

The ornamental design for a hair styling apparatus substantially, as shown and described.

**DESCRIPTION**

FIG. 1 is a front, top and left perspective view of a hair styling apparatus, comprising a new, original and ornamental design;

FIG. 2 is a front view thereof;

FIG. 3 is a rear view thereof;

FIG. 4 is a left view thereof;

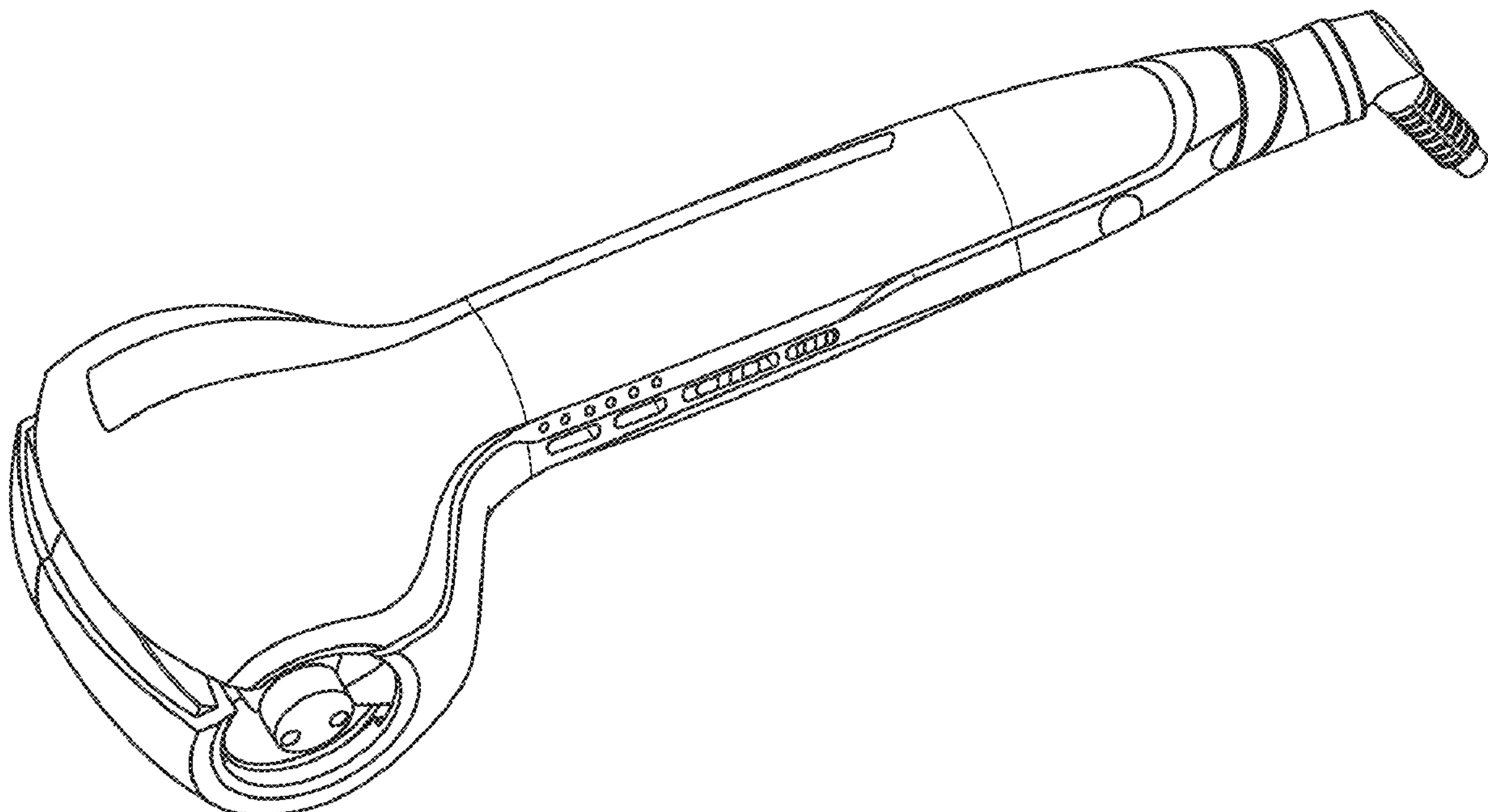
FIG. 5 is a right view thereof;

FIG. 6 is a top view thereof; and,

FIG. 7 is a bottom view thereof.

The broken lines illustrate portions of the hair styling apparatus and form no part of the claimed design.

**1 Claim, 7 Drawing Sheets**



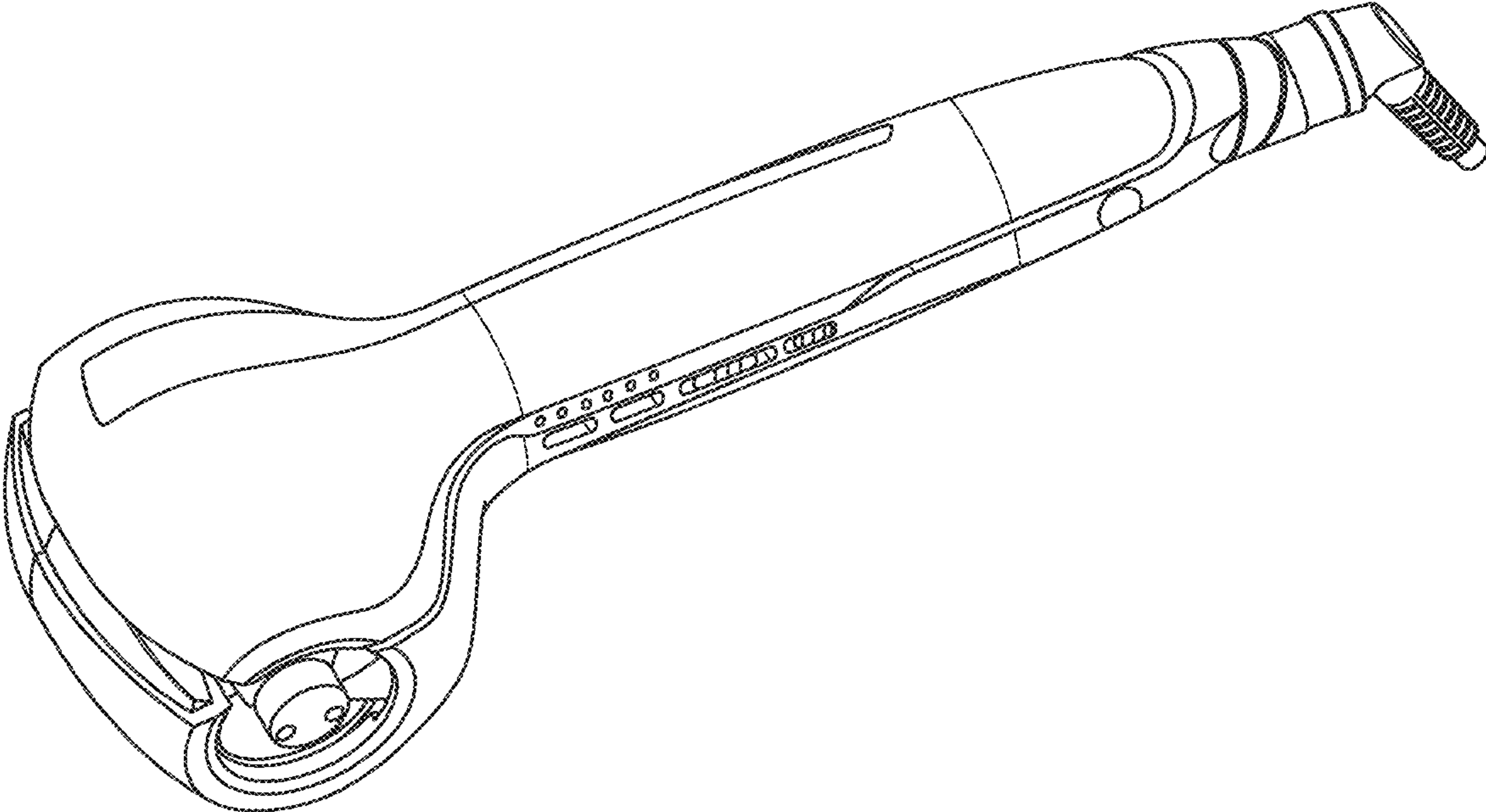


FIG. 1

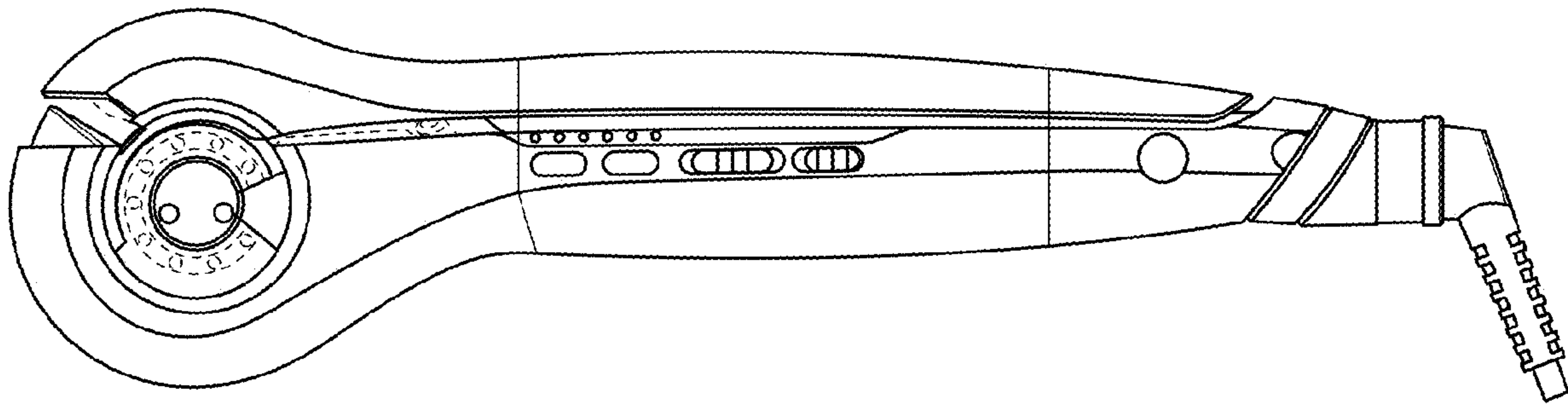


FIG. 2

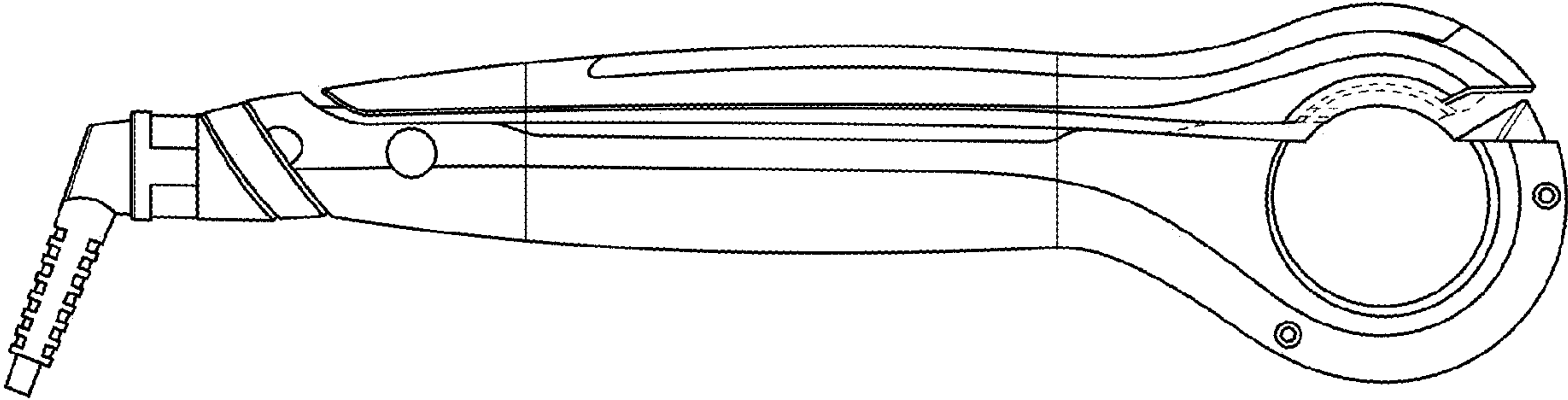


FIG. 3

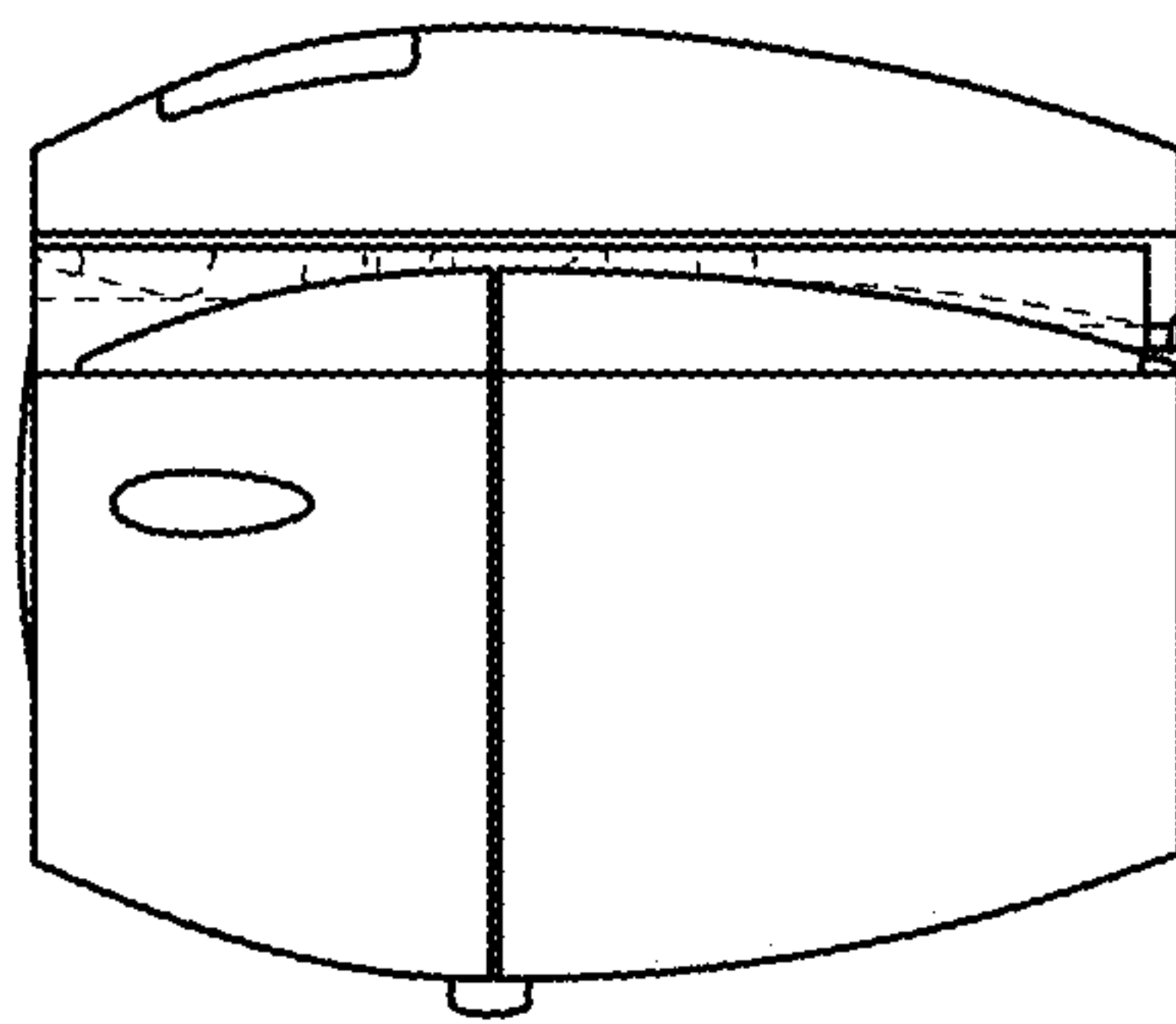


FIG. 4

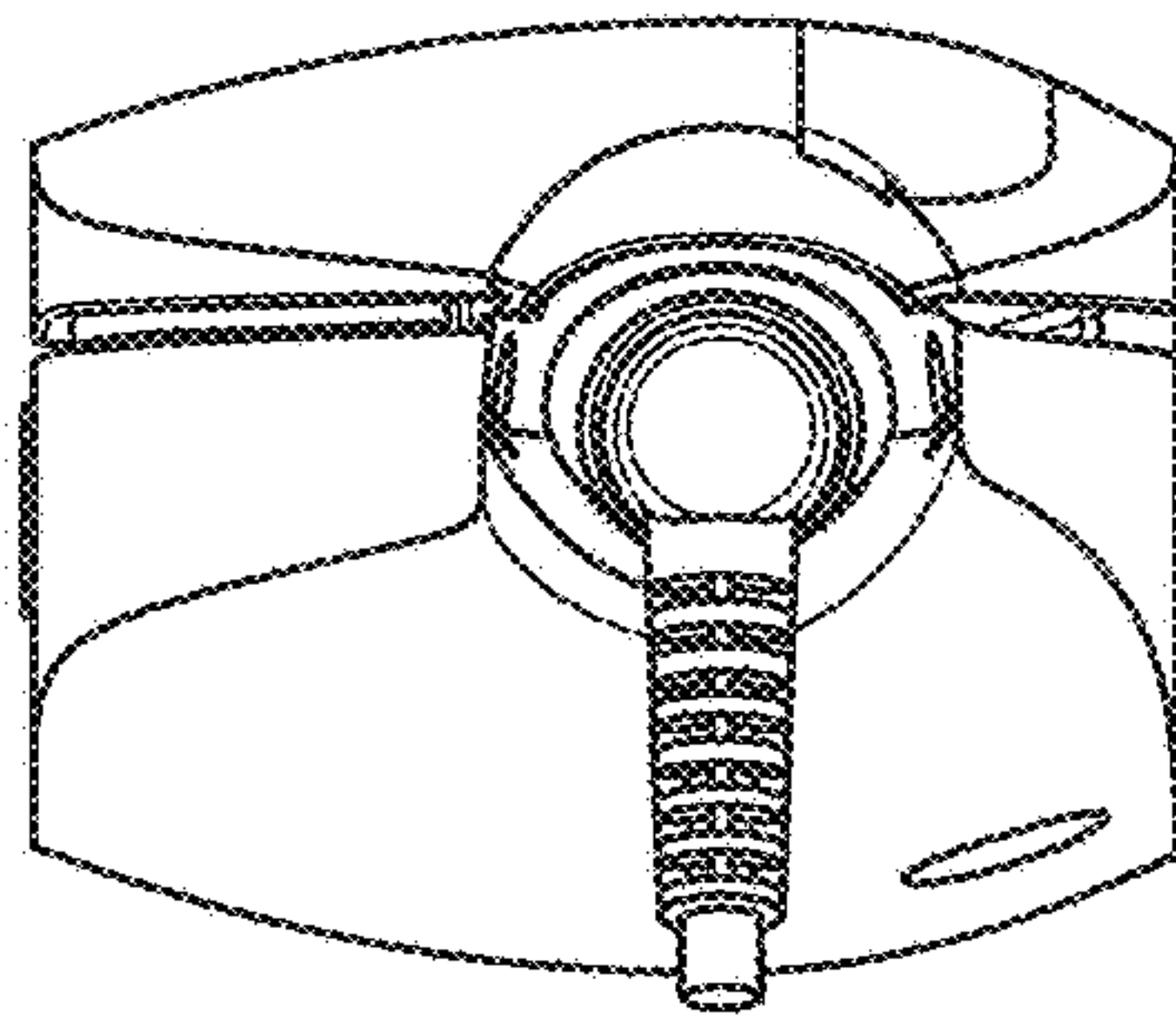


FIG. 5

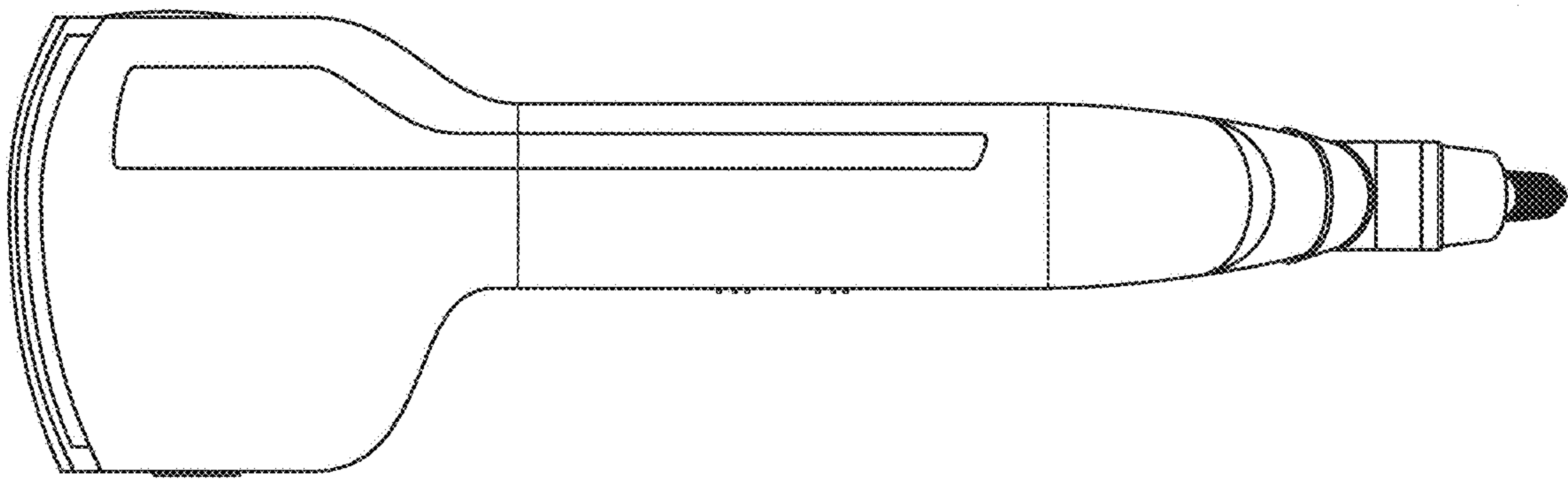


FIG. 6



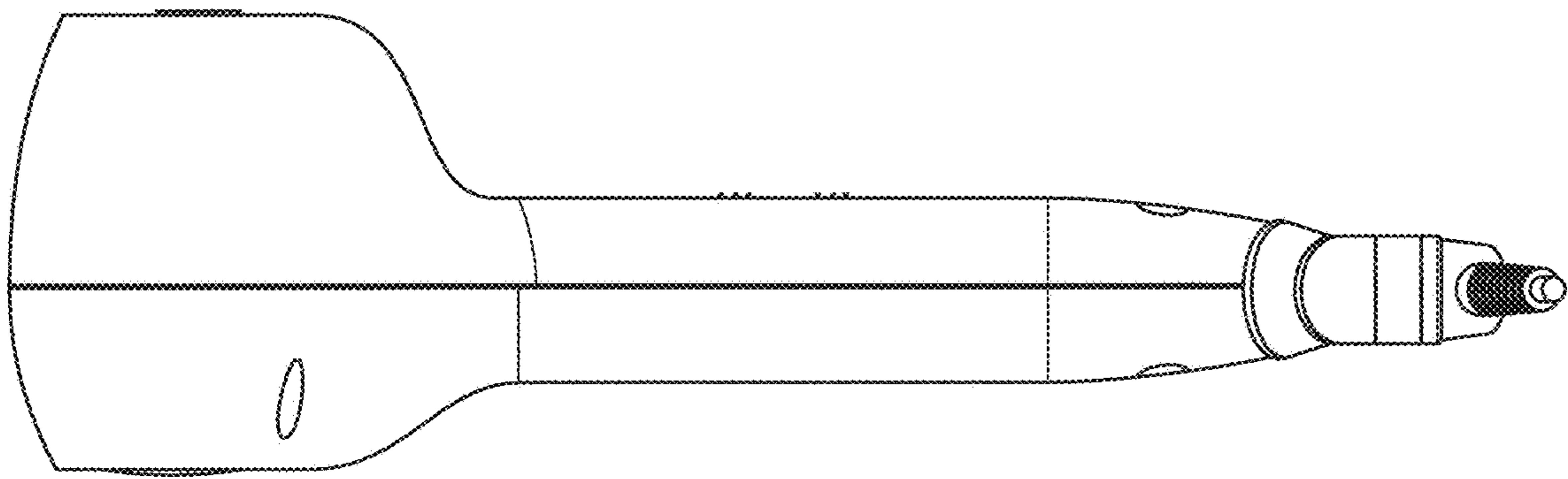


FIG. 7