



US00D873484S

(12) **United States Design Patent**
Julemont

(10) **Patent No.:** **US D873,484 S**

(45) **Date of Patent:** **** Jan. 21, 2020**

(54) **HAIR STYLING APPARATUS**

(71) Applicant: **BABYLISS FACO SPRL**, Wandre (BE)

(72) Inventor: **Pierre Julemont**, Soumagne (BE)

(73) Assignee: **BABYLISS FACO SPRL**, Wandre (BE)

(**) Term: **15 Years**

(21) Appl. No.: **29/625,245**

(22) Filed: **Nov. 8, 2017**

(30) **Foreign Application Priority Data**

May 9, 2017 (EM) 003992692-0002

(51) **LOC (12) Cl.** **28-03**

(52) **U.S. Cl.**
USPC **D28/35**

(58) **Field of Classification Search**
USPC D28/35-38
CPC A45D 2/12; A45D 2/14; A45D 2/36-367;
A45D 2/001-002; A45D 2/06; A45D
2/40; A45D 1/00; A45D 1/02-04; A45D
1/06; A45D 1/10; A45D 1/16; A45D 1/28
See application file for complete search history.

(56) **References Cited**

U.S. PATENT DOCUMENTS

D696,456 S * 12/2013 Julemont D28/35
D717,000 S * 11/2014 Julemont D28/35
D743,624 S * 11/2015 Richmond D28/35
9,185,957 B2 * 11/2015 Richmond A45D 2/36

D759,306 S * 6/2016 Delassus D28/35
D773,119 S * 11/2016 Yue D28/35
D783,897 S * 4/2017 Kong D28/35
D785,242 S * 4/2017 Julemont D28/35
D797,994 S * 9/2017 Yan D28/35
2015/0114425 A1* 4/2015 Park A45D 1/04
132/229
2015/0196105 A1* 7/2015 Leung A45D 1/04
132/228
2015/0201727 A1* 7/2015 De Benedictis A45D 2/02
132/211
2015/0216281 A1* 8/2015 De Benedictis A45D 2/02
132/230

* cited by examiner

Primary Examiner — Jennifer Rivard

(74) *Attorney, Agent, or Firm* — McCormick, Paulding & Huber PLLC

(57) **CLAIM**

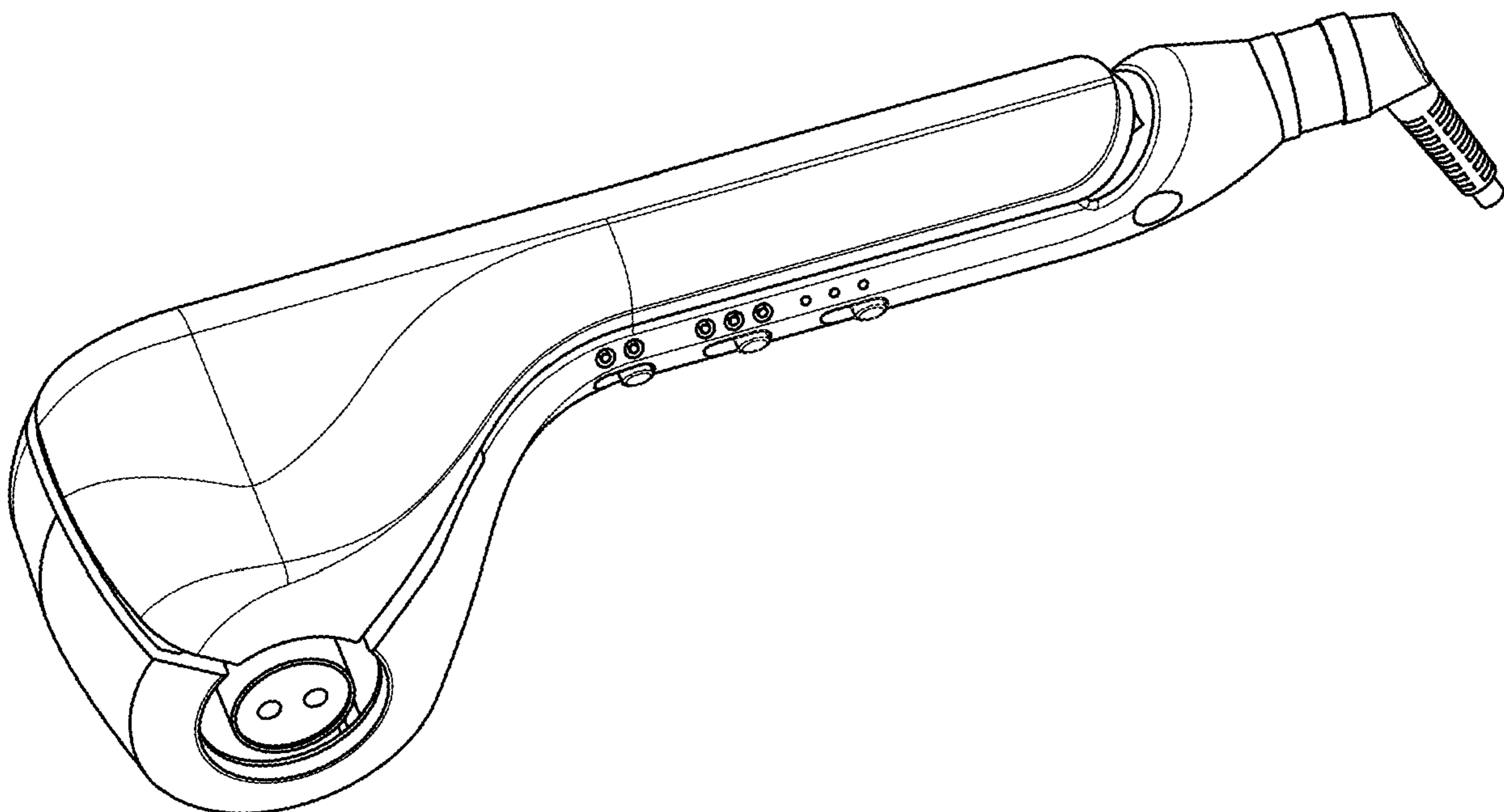
The ornamental design for a hair styling apparatus, substantially as shown and described.

DESCRIPTION

FIG. 1 is a front, top and left perspective view of a hair styling apparatus, comprising a new, original and ornamental design;
FIG. 2 is a rear, bottom and right perspective view thereof;
FIG. 3 is a front view thereof;
FIG. 4 is a rear view thereof;
FIG. 5 is a left view thereof;
FIG. 6 is a top view thereof; and,
FIG. 7 is a bottom view thereof.

The broken lines illustrate portions of the hair styling apparatus and form no part of the claimed design.

1 Claim, 7 Drawing Sheets



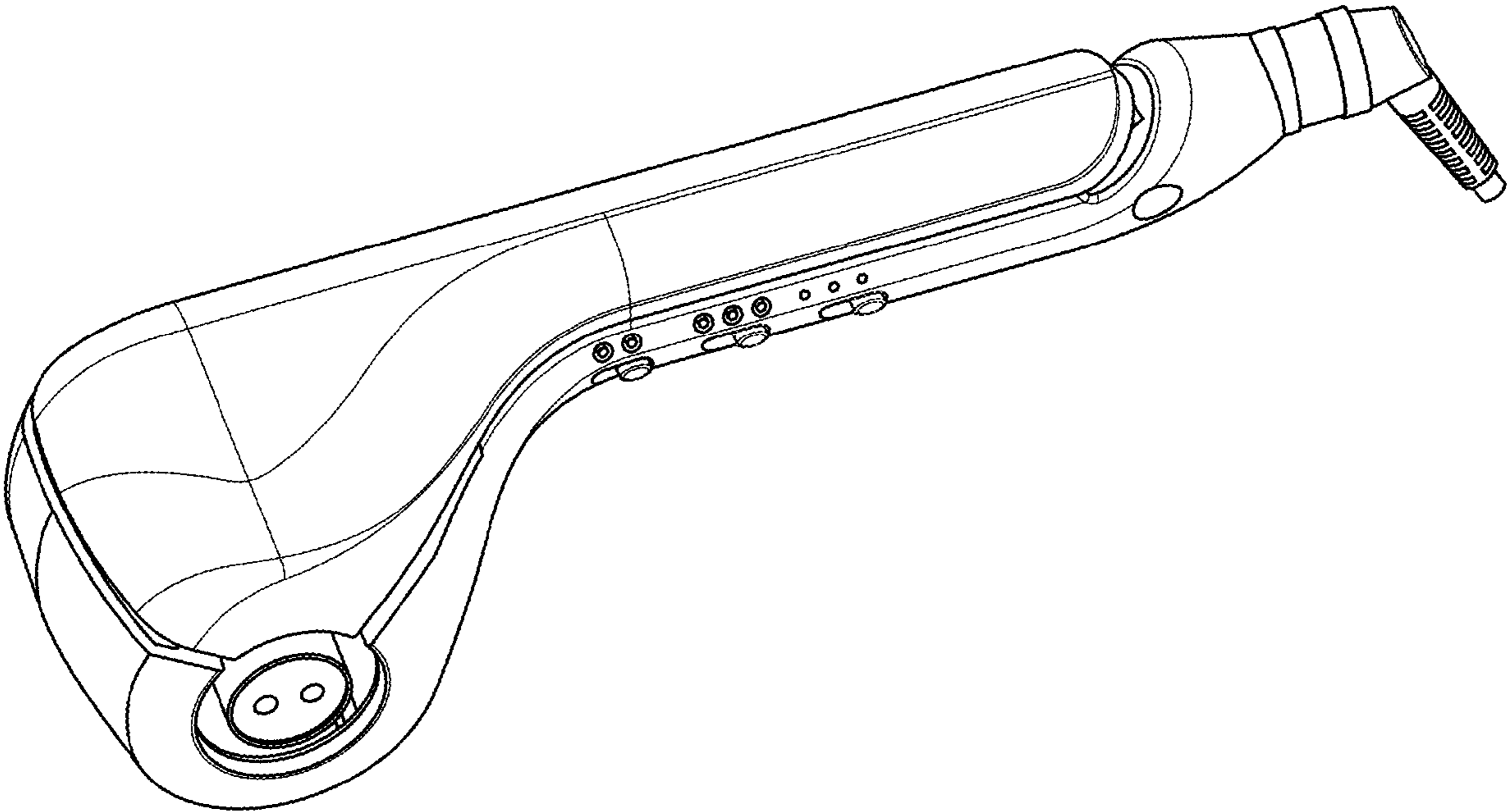


FIG. 1

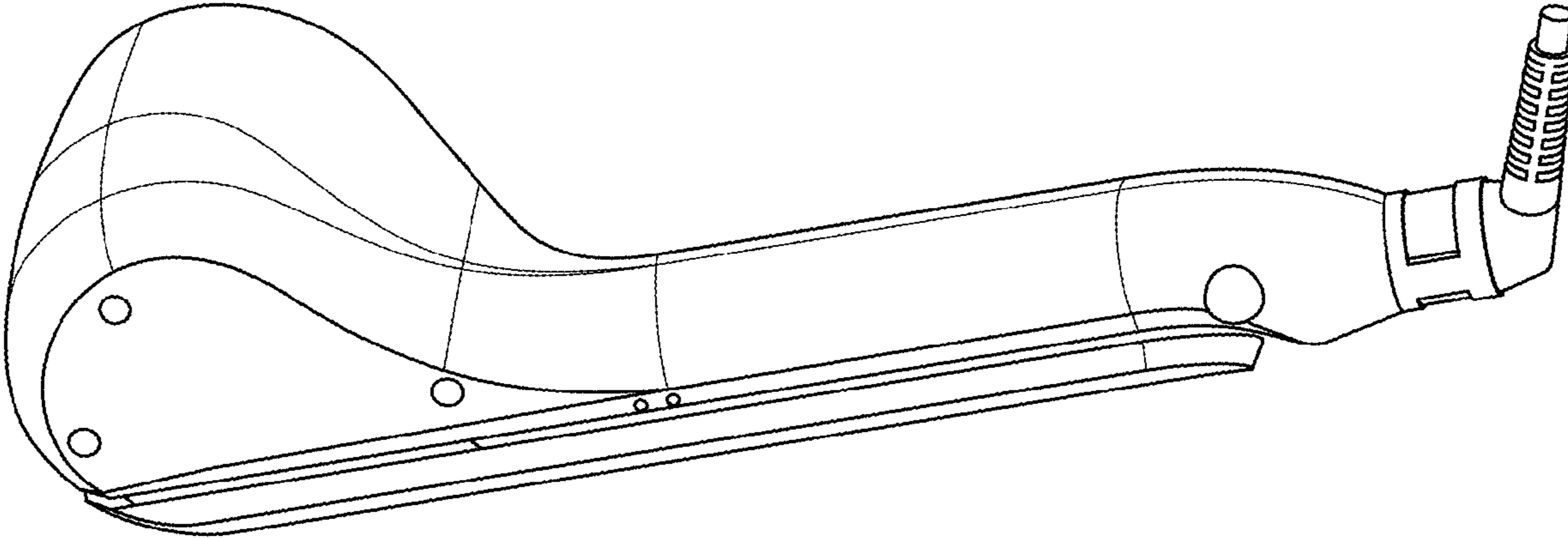


FIG. 2

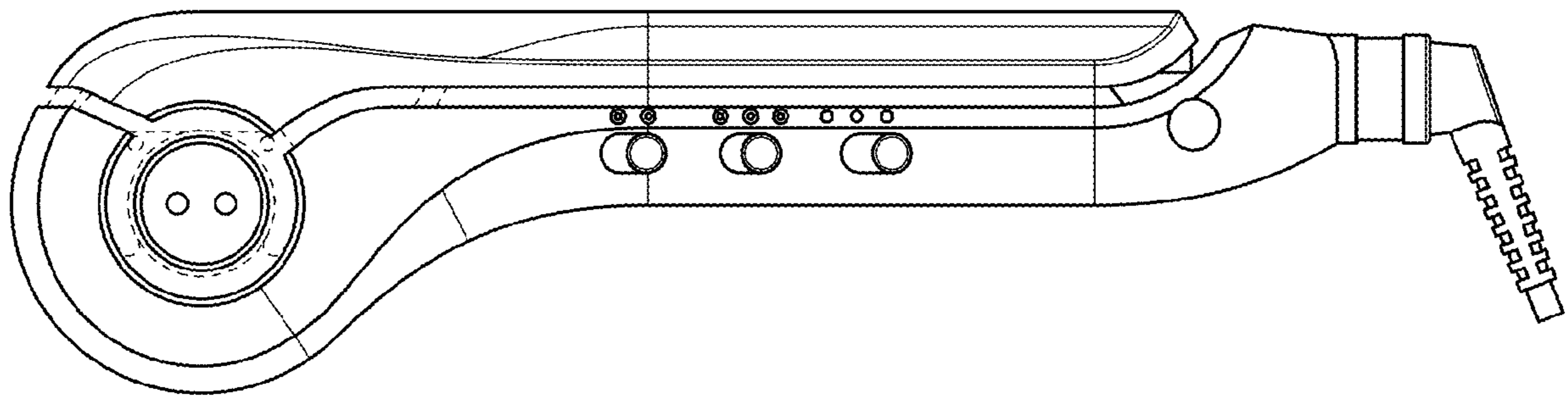


FIG. 3

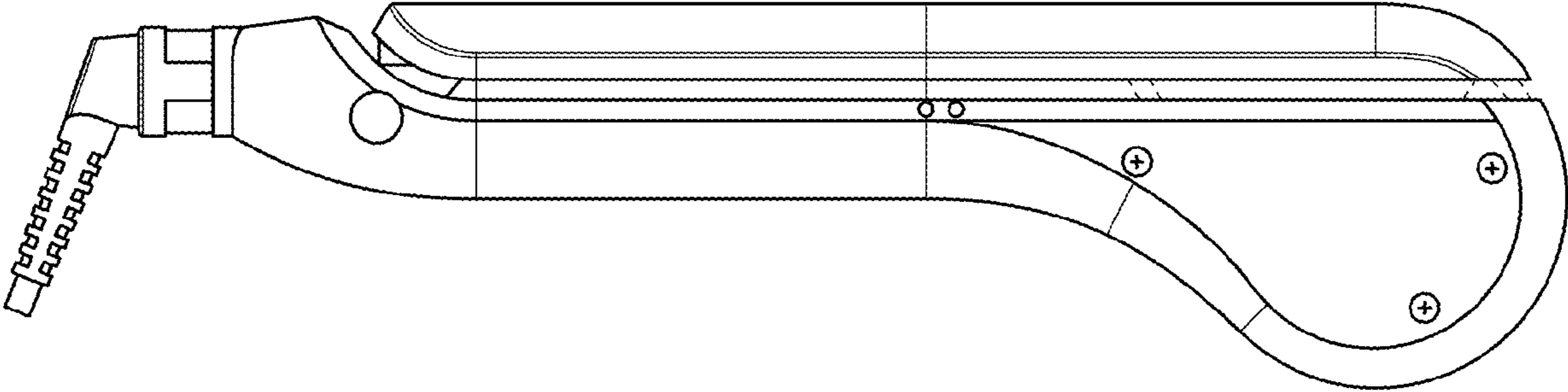


FIG. 4

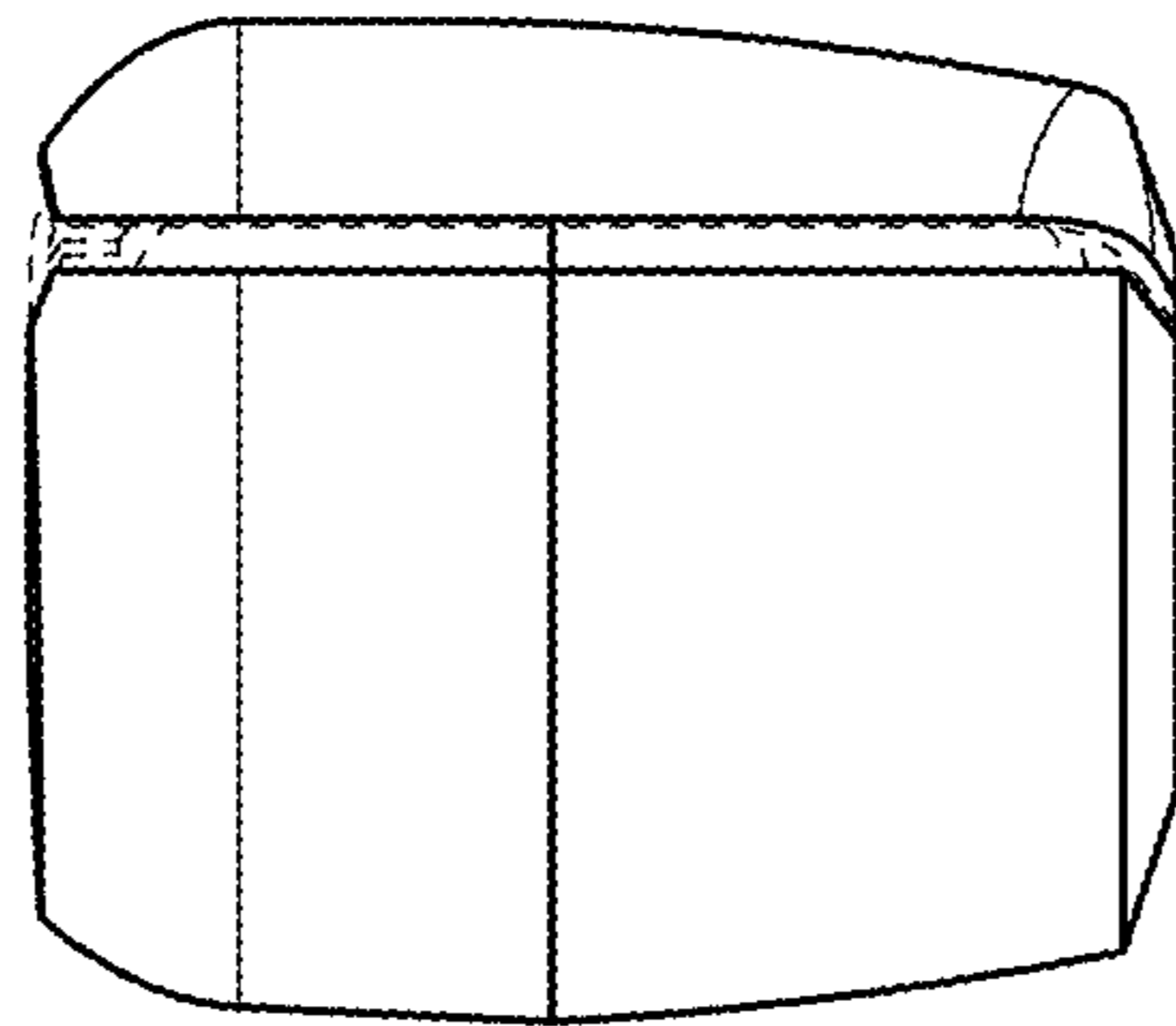


FIG. 5

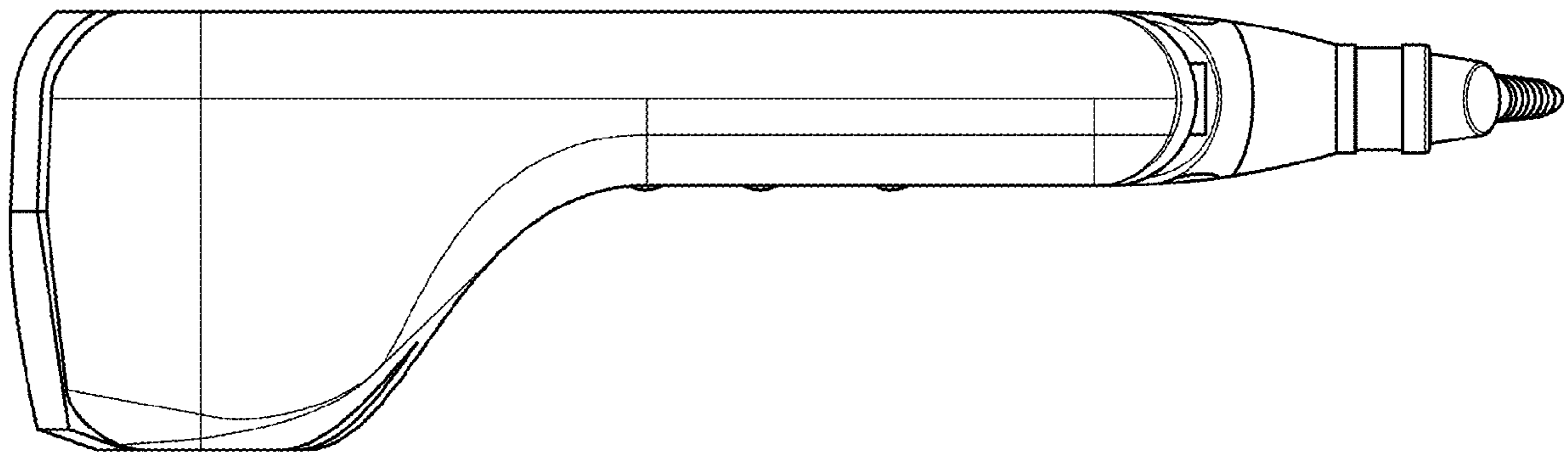


FIG. 6

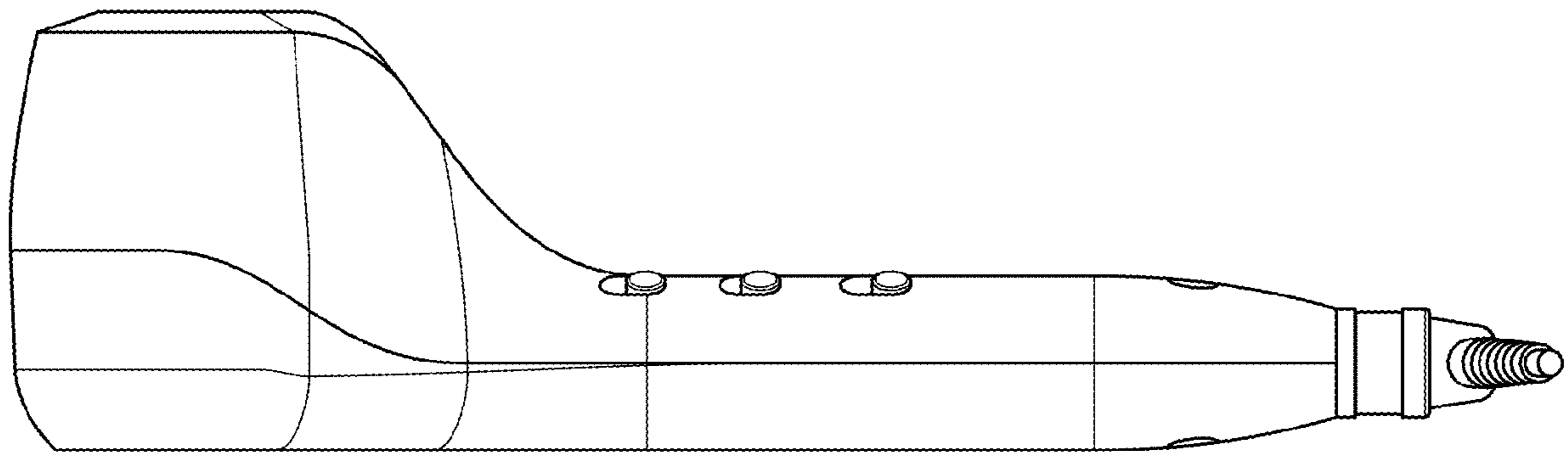


FIG. 7