



US00D873482S

(12) **United States Design Patent** (10) **Patent No.:** **US D873,482 S**
Kudo (45) **Date of Patent:** **** Jan. 21, 2020**

(54) **COSMETICS APPLICATOR**
(71) Applicant: **TOKIWA CORPORATION**, Gifu (JP)
(72) Inventor: **Saori Kudo**, Kawaguchi (JP)
(73) Assignee: **TOKIWA CORPORATION**,
Nakatsugawa-Shi, Gifu (JP)
(**) Term: **15 Years**
(21) Appl. No.: **35/506,320**
(22) Filed: **Jul. 13, 2018**
(80) **Hague Agreement Data**
Int. Filing Date: **Jul. 13, 2018**
Int. Reg. No.: **DM/102558**
Int. Reg. Date: **Jul. 13, 2018**
Int. Reg. Pub. Date: **Jan. 18, 2019**

(30) **Foreign Application Priority Data**
Mar. 13, 2018 (JP) 2018-005203
(51) **LOC (12) Cl.** **28-02**
(52) **U.S. Cl.**
USPC **D28/7**
CPC **A45D 40/00** (2013.01)
(58) **Field of Classification Search**
USPC D28/4, 7, 8, 99, 76; D19/101, 115-180,
D19/192; D9/723-729, 695, 696, 503,
D9/504
CPC A45D 2200/1072; A45D 2200/10; A45D
2200/1018; A45D 2200/1027; A45D
2200/1036; A45D 2200/1045
See application file for complete search history.

(56) **References Cited**
U.S. PATENT DOCUMENTS
D693,059 S * 11/2013 Tani D28/7
D746,513 S * 12/2015 Monical D28/7
D749,225 S * 2/2016 Chang D24/188

D750,788 S * 3/2016 Chang D24/188
D753,341 S * 4/2016 Moreaux D28/7
D762,327 S * 7/2016 Villarreal D28/7
D762,474 S * 8/2016 Chung D9/449
D806,314 S * 12/2017 Hamida D28/7
9,867,448 B2 * 1/2018 Apodaca A45D 33/006
D812,294 S * 3/2018 Wilson D28/7
9,926,114 B2 * 3/2018 Eberlein A45D 33/00
D816,897 S * 5/2018 Corsi D28/7
D821,034 S * 6/2018 Langdon D28/83
D822,899 S * 7/2018 Corsi D28/7
D829,296 S * 9/2018 Cross D22/108
10,092,081 B2 * 10/2018 Burditt, Jr. A45D 33/008
D841,235 S * 2/2019 Thorpe D28/8
D844,893 S * 4/2019 Huchet D28/7
D847,420 S * 4/2019 Huchet D28/7
D854,744 S * 7/2019 Tanaka D28/7
D857,291 S * 8/2019 Xiang D28/7
D857,988 S * 8/2019 Huchet D28/7

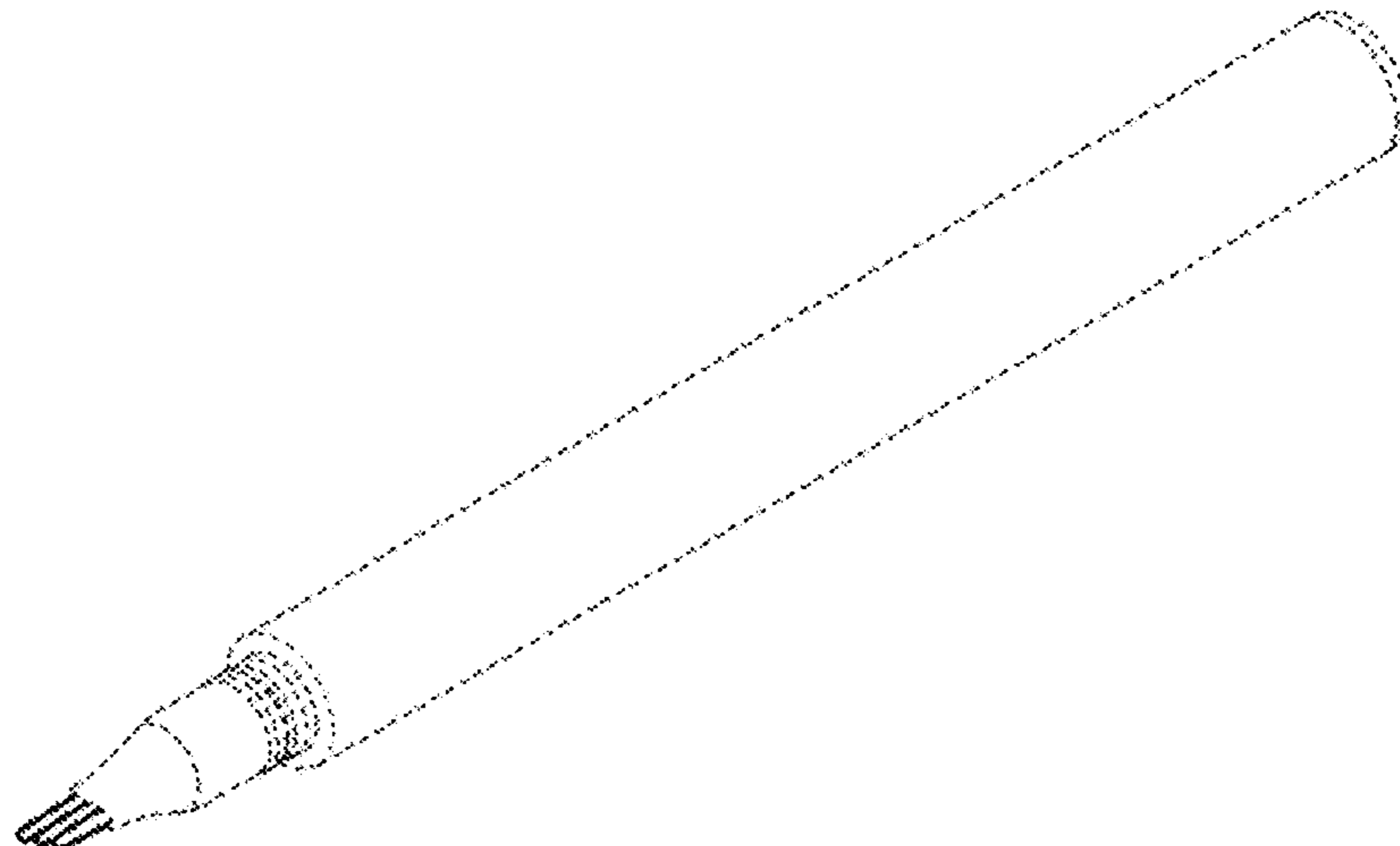
(Continued)

Primary Examiner — Richard E Chilcot
(74) *Attorney, Agent, or Firm* — Leydig, voit & Mayer,
LTD.

(57) **CLAIM**
The ornamental design for a cosmetics applicator, as shown
and described.

DESCRIPTION
1. Cosmetics applicator
1.1 : Perspective
1.2 : Front
1.3 : Back
1.4 : Top
1.5 : Bottom
1.6 : Left
1.7 : Right
1.8 : Partial enlarged front view
1.9 : Partial enlarged top view
1.10 : Enlarged left view
1.11 : Partial enlarged perspective view
The cosmetic container shown in dotted lines do not form
part of the claimed design.

1 Claim, 11 Drawing Sheets



(56)

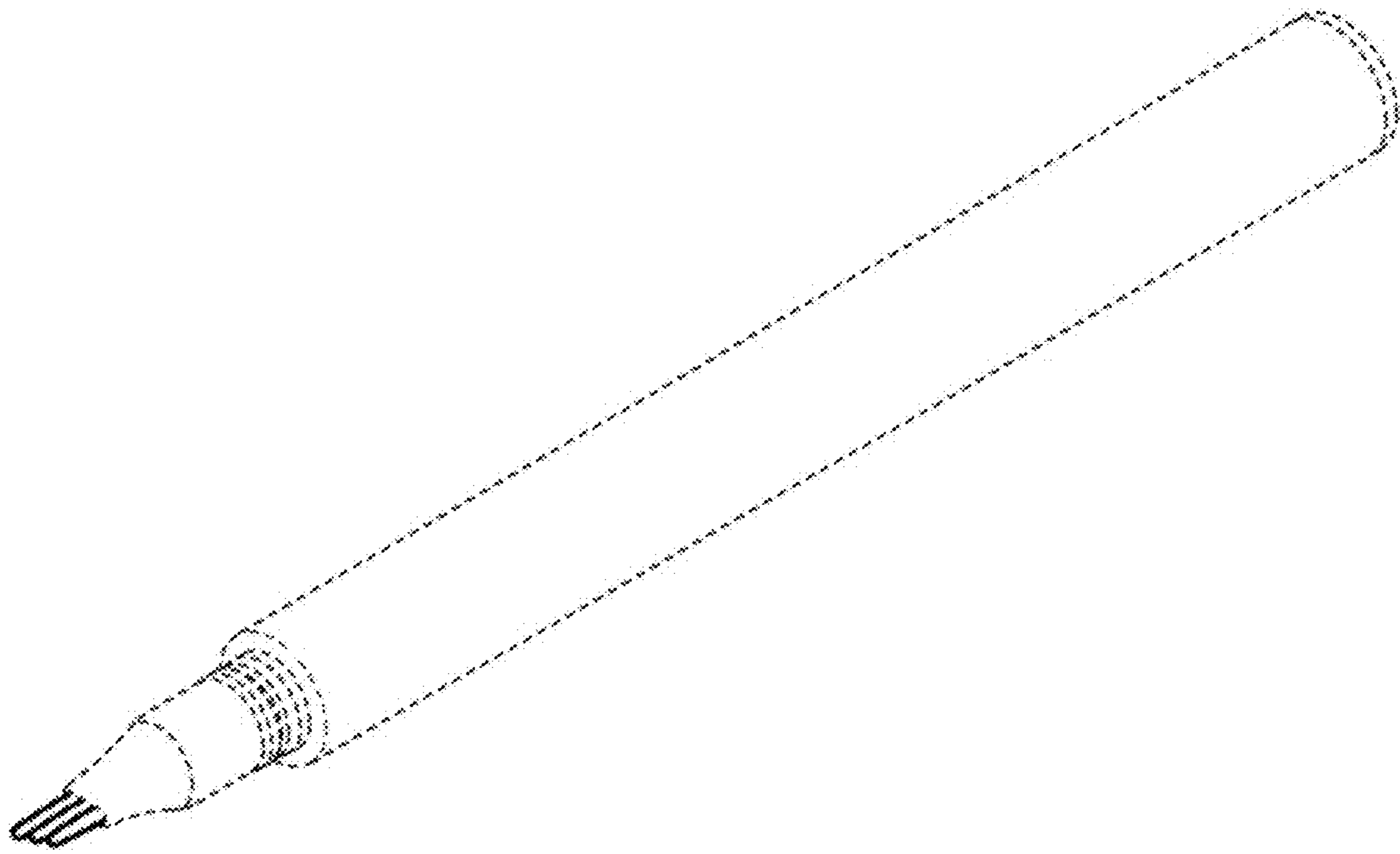
References Cited

U.S. PATENT DOCUMENTS

D860,525	S	*	9/2019	Choi	D28/7
D860,526	S	*	9/2019	Choi	D28/7
D860,527	S	*	9/2019	Jeannin	D28/7
D865,280	S	*	10/2019	Yang	D28/7
D866,066	S	*	11/2019	Yang	D28/7

* cited by examiner

1.1



1.2



1.3



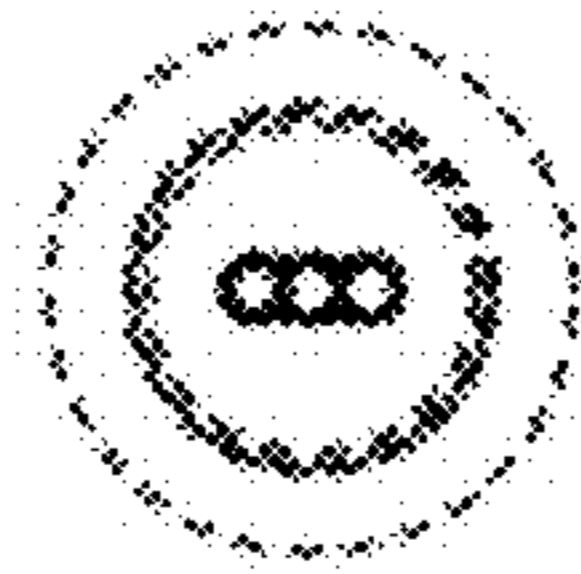
1.4



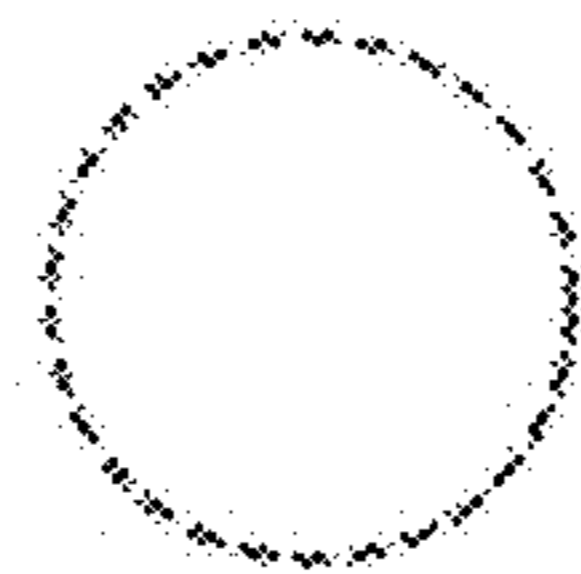
1.5



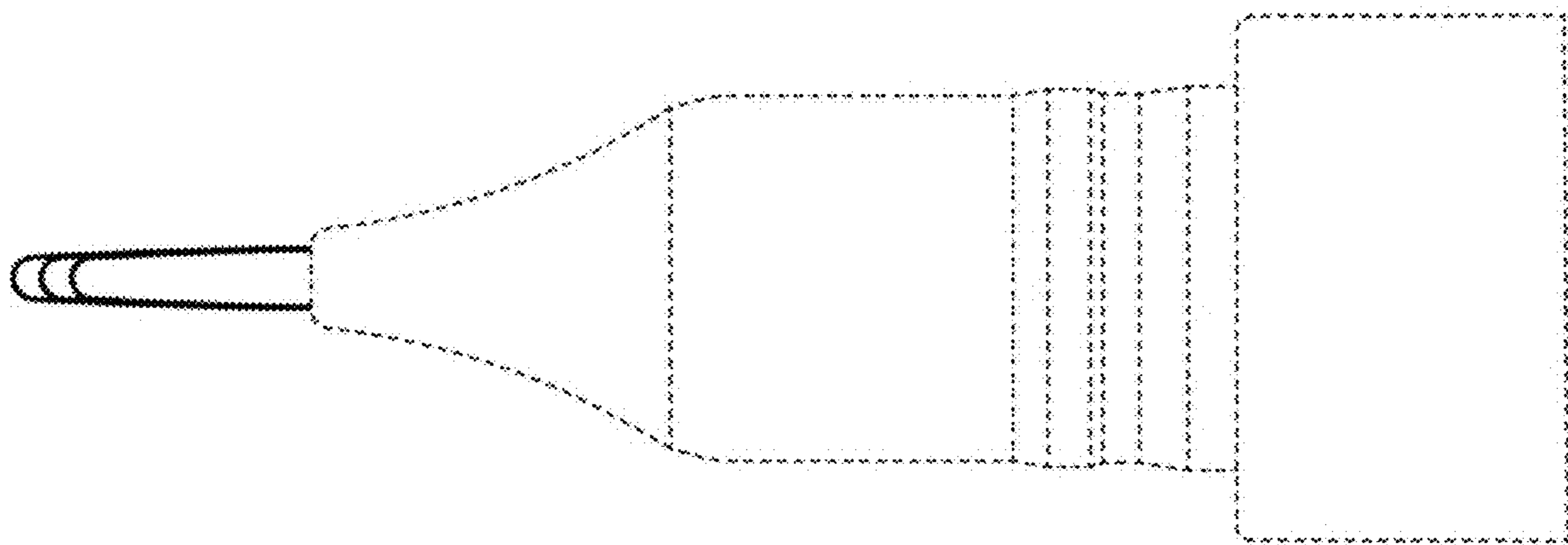
1.6



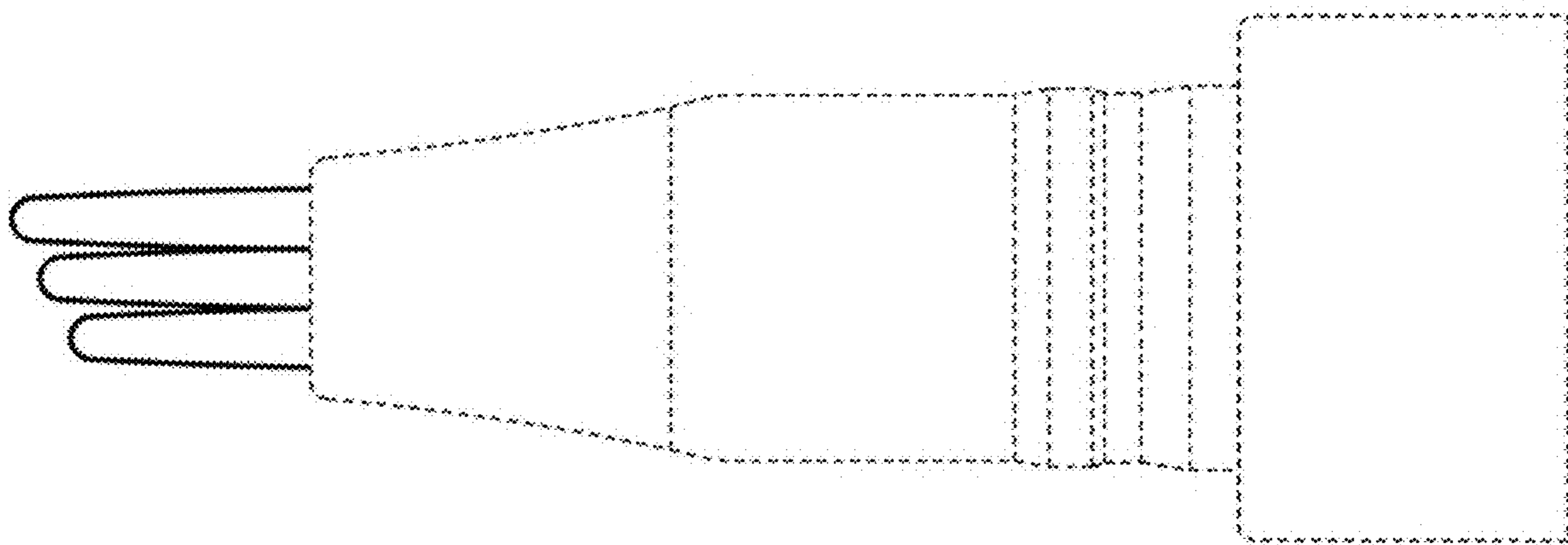
1.7



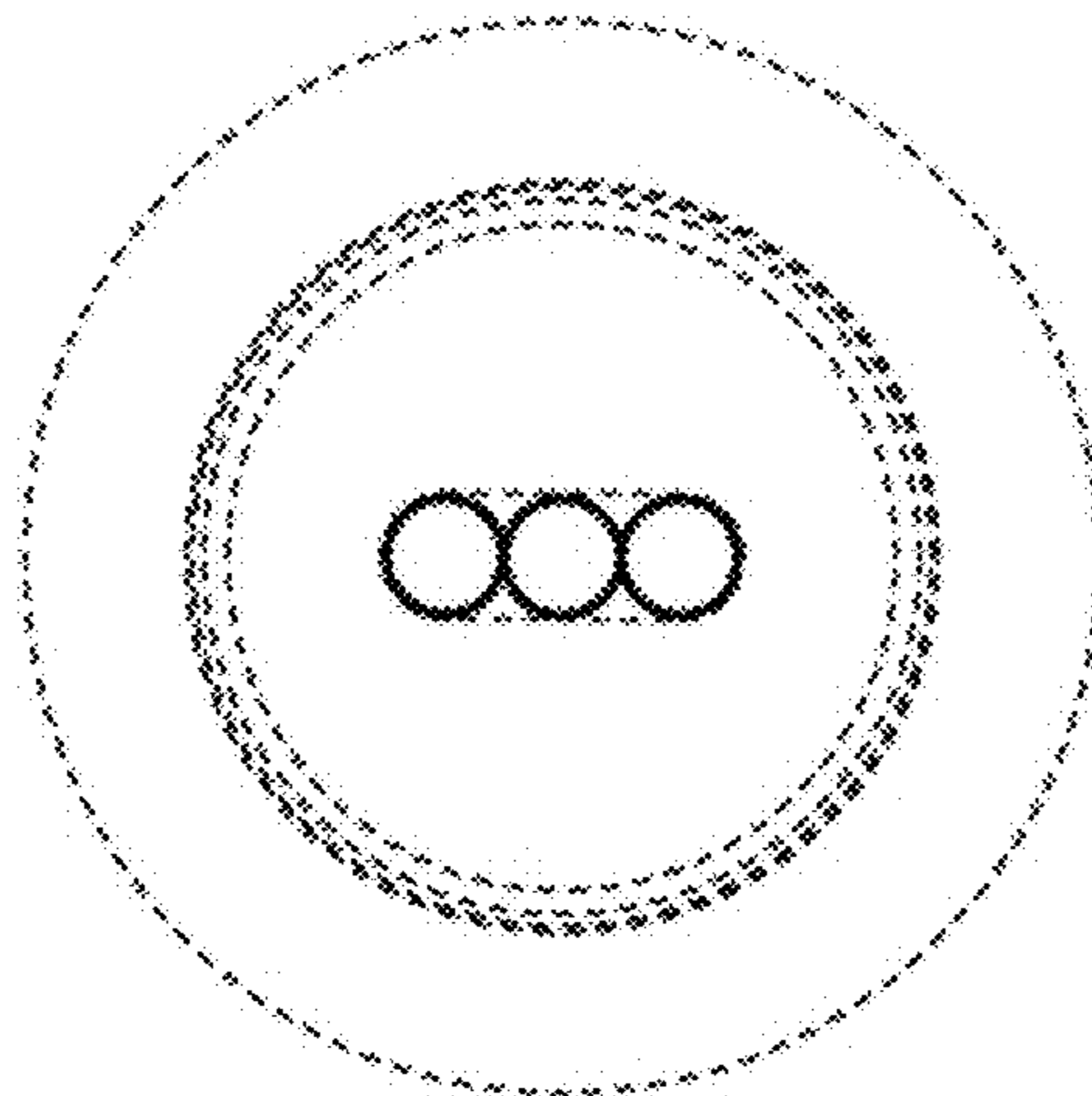
1.8



1.9



1.10



1.11

