



US00D873481S

(12) **United States Design Patent**
Larkin

(10) **Patent No.:** **US D873,481 S**

(45) **Date of Patent:** **** Jan. 21, 2020**

(54) **APPLICATOR STICK**

(71) Applicant: **D&W Global, LLC**, Newport Beach, CA (US)

(72) Inventor: **Diana Larkin**, Los Angeles, CA (US)

(73) Assignee: **Dastmalchi LLC**, Newport Beach, CA (US)

(**) Term: **15 Years**

(21) Appl. No.: **29/647,728**

(22) Filed: **May 15, 2018**

(51) **LOC (12) Cl.** **28-02**

(52) **U.S. Cl.**
USPC **D28/7**

(58) **Field of Classification Search**
USPC D28/7, 4; D22/117, 118; D32/51, 52, D32/40, 42, 46; 15/236.01, 104.001; 132/320, 317, 333; 600/240, 241
CPC A45D 40/26; A61M 35/003; A61M 35/00; B05C 17/10; B05C 17/12
See application file for complete search history.

(56) **References Cited**

U.S. PATENT DOCUMENTS

D299,558 S * 1/1989 Robison D28/63
D310,270 S * 8/1990 Bacal 401/6
D361,404 S * 8/1995 Haas D24/133
D364,481 S * 11/1995 Lambert D28/7

D370,085 S * 5/1996 MacGilvary D28/7
D383,244 S * 9/1997 Lee D28/7
D388,535 S * 12/1997 Per-Lee D28/7
D395,732 S * 6/1998 Tomlinson D28/7
D636,934 S * 4/2011 Chen D28/7
D663,836 S * 7/2012 Ruiz, Sr. D24/133
D792,672 S * 7/2017 DeSanti D32/42
D808,581 S * 1/2018 Weinrich D28/7
D822,201 S * 7/2018 Decker D24/119

* cited by examiner

Primary Examiner — Susan Bennett Hattan

Assistant Examiner — Rebecca Tsehaye

(74) *Attorney, Agent, or Firm* — Avyno Law P.C.

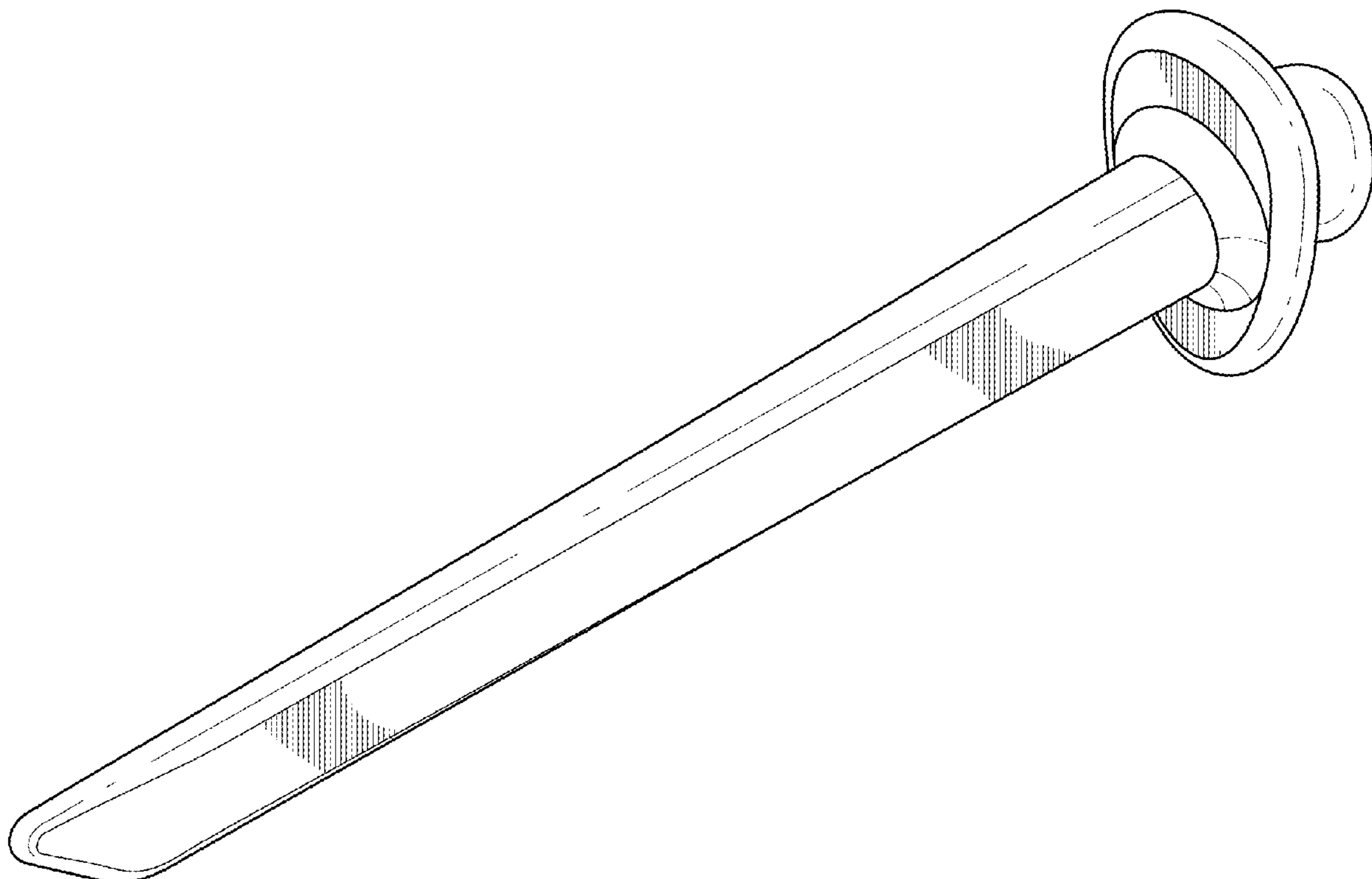
(57) **CLAIM**

I claim the ornamental design for an applicator stick, as shown and described.

DESCRIPTION

FIG. 1 is a top perspective view of an applicator stick.
FIG. 2 is a bottom perspective view of the applicator stick of FIG. 1.
FIG. 3 is a side view of the left side of the applicator stick of FIG. 1.
FIG. 4 is a side view of the right side of the applicator stick of FIG. 1.
FIG. 5 is a front view of the applicator stick of FIG. 1.
FIG. 6 is a rear view of the applicator stick of FIG. 1.
FIG. 7 is a top view of the applicator stick of FIG. 1; and, FIG. 8 is a bottom view of the applicator stick of FIG. 1.

1 Claim, 4 Drawing Sheets



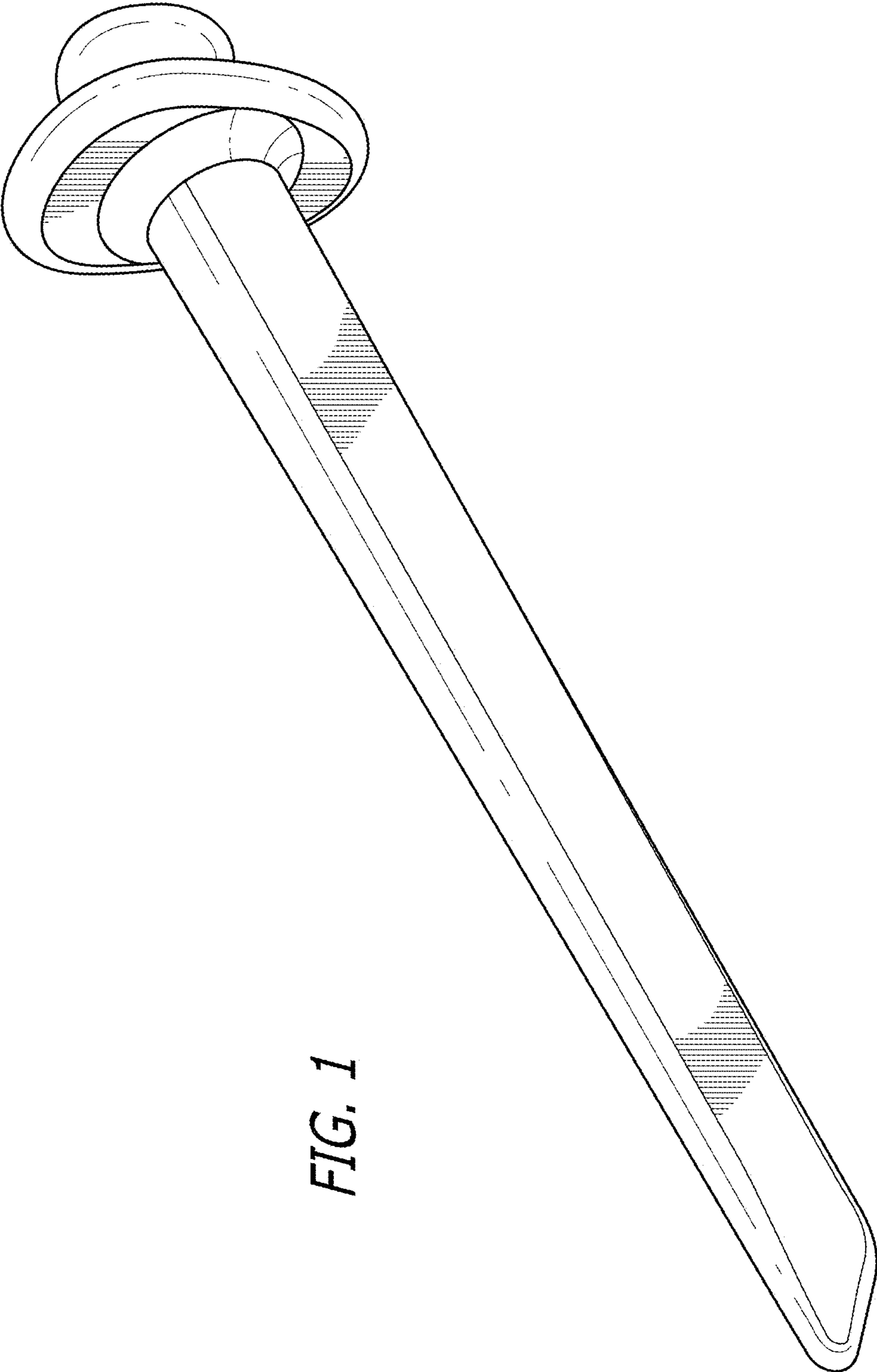


FIG. 1

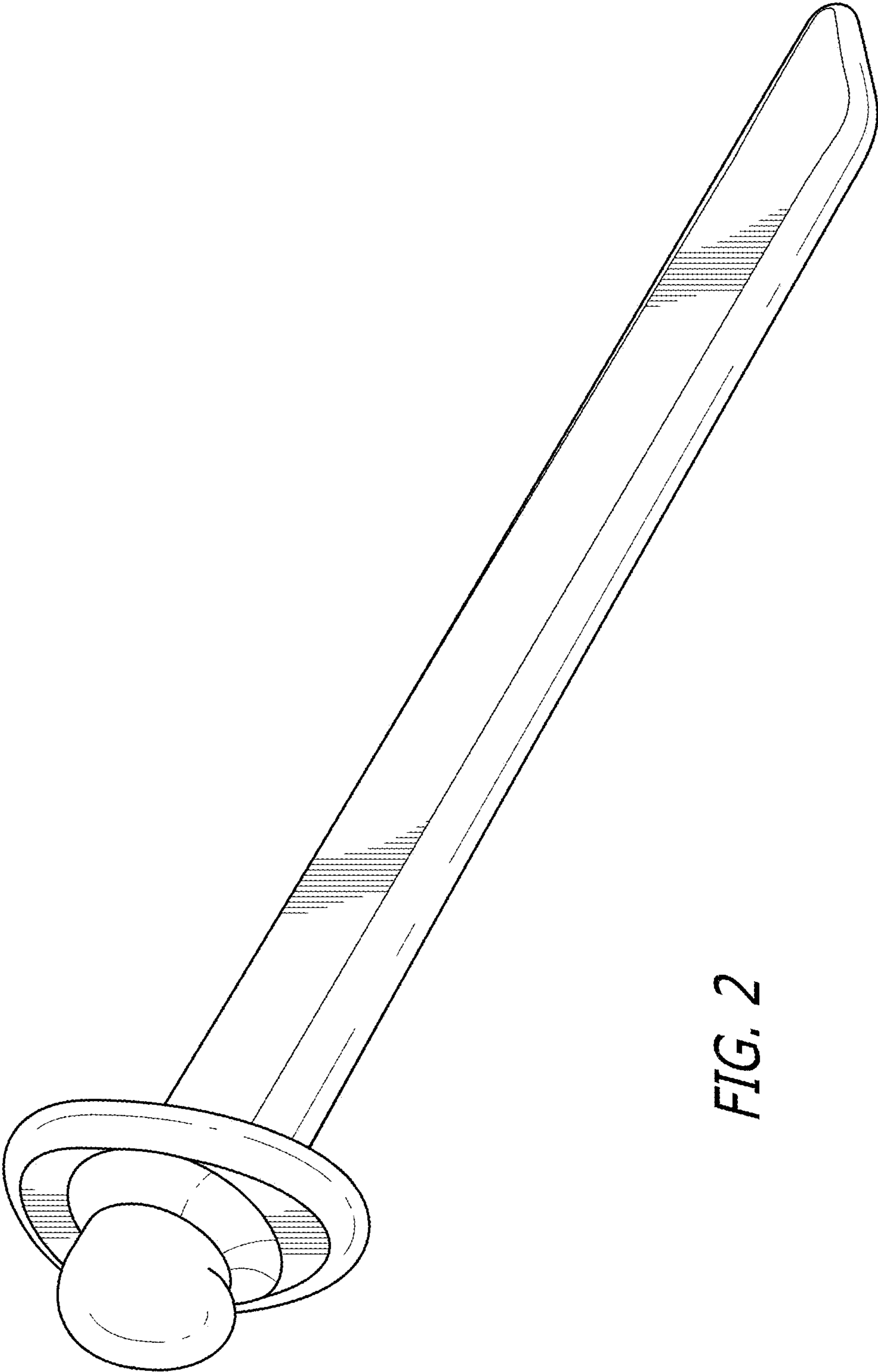


FIG. 2

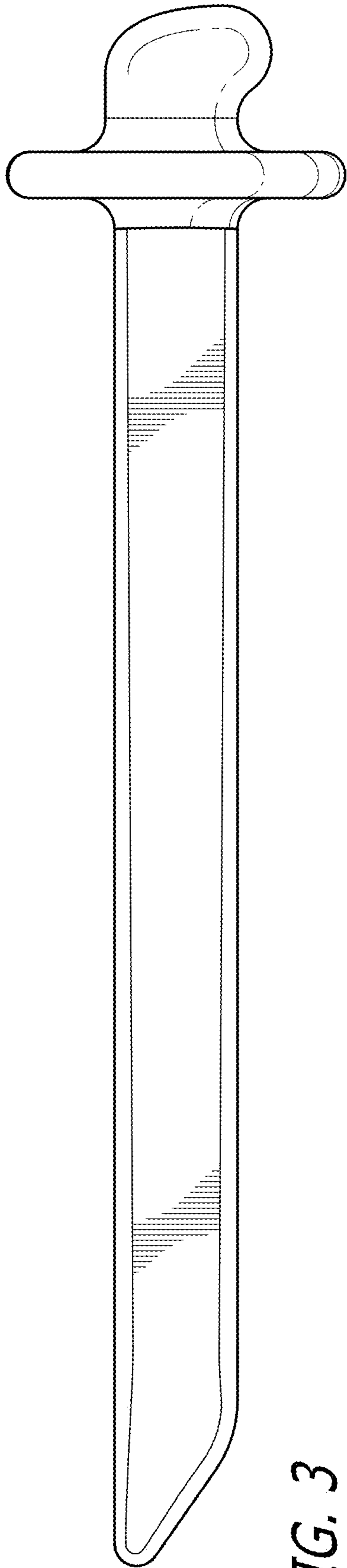


FIG. 3

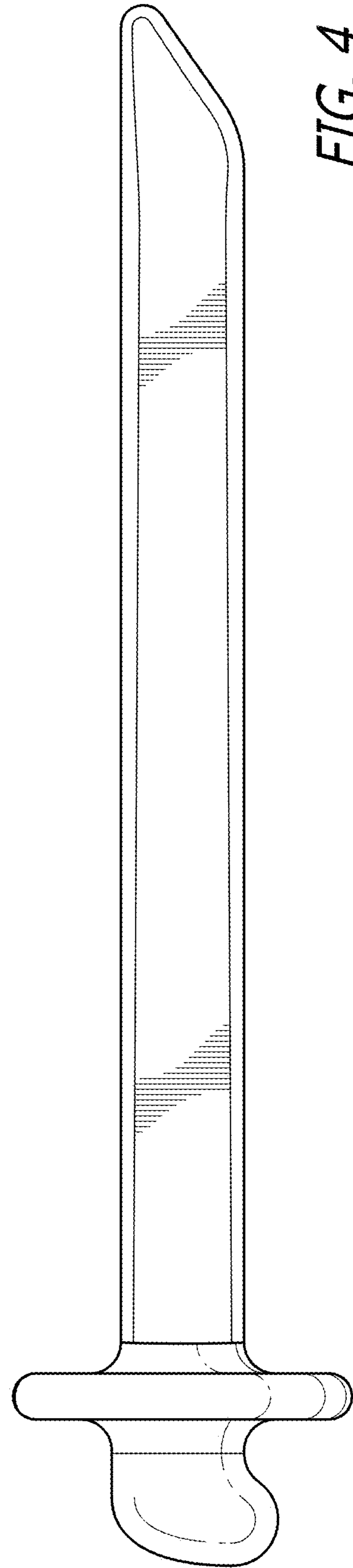


FIG. 4

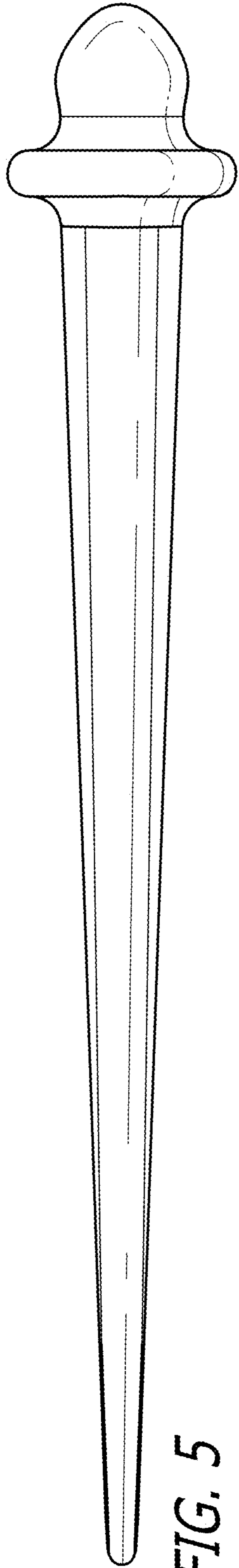


FIG. 5

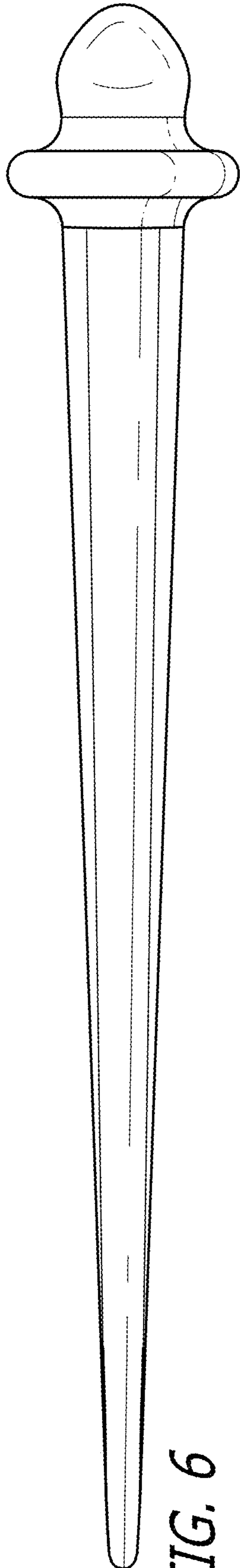


FIG. 6

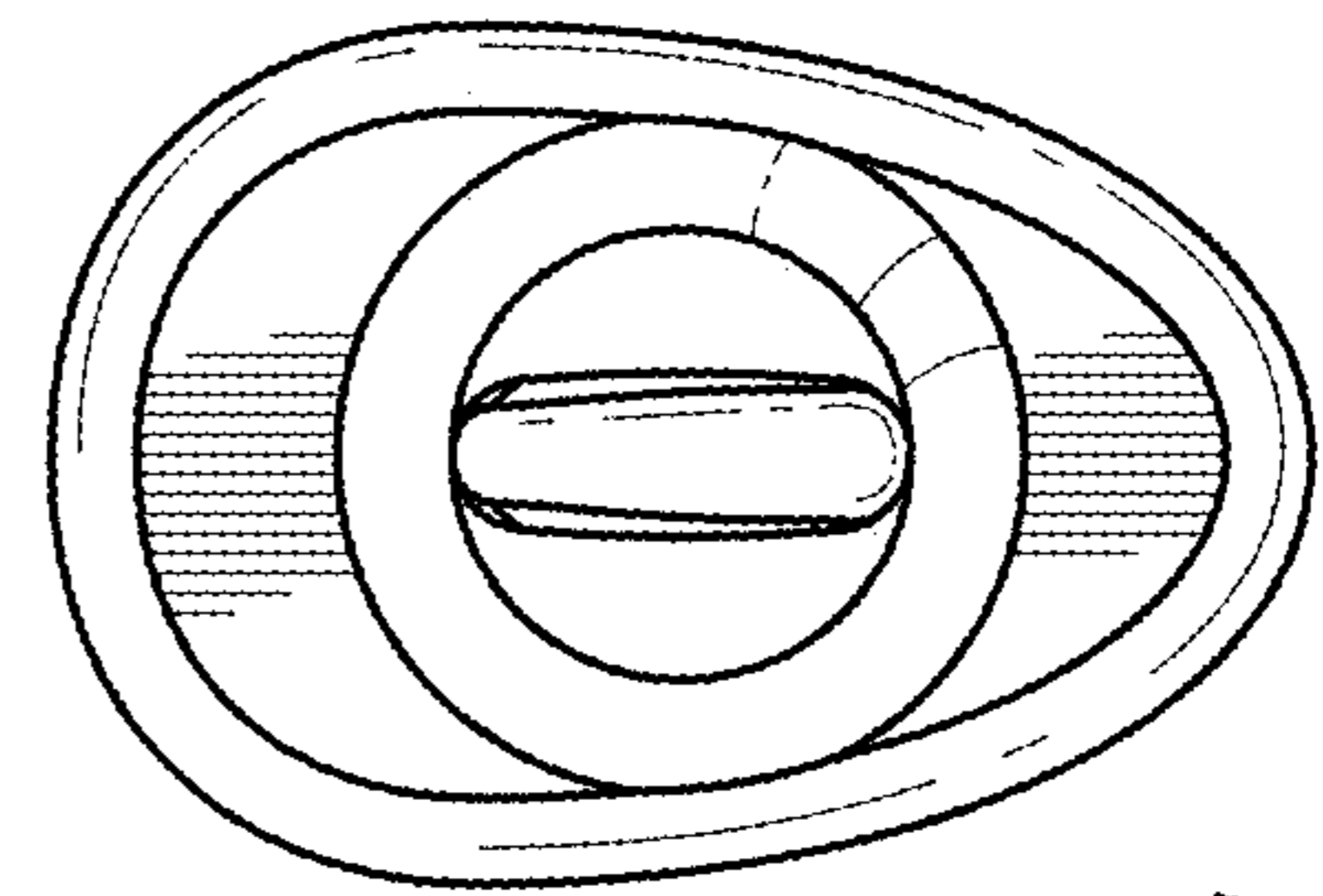


FIG. 7

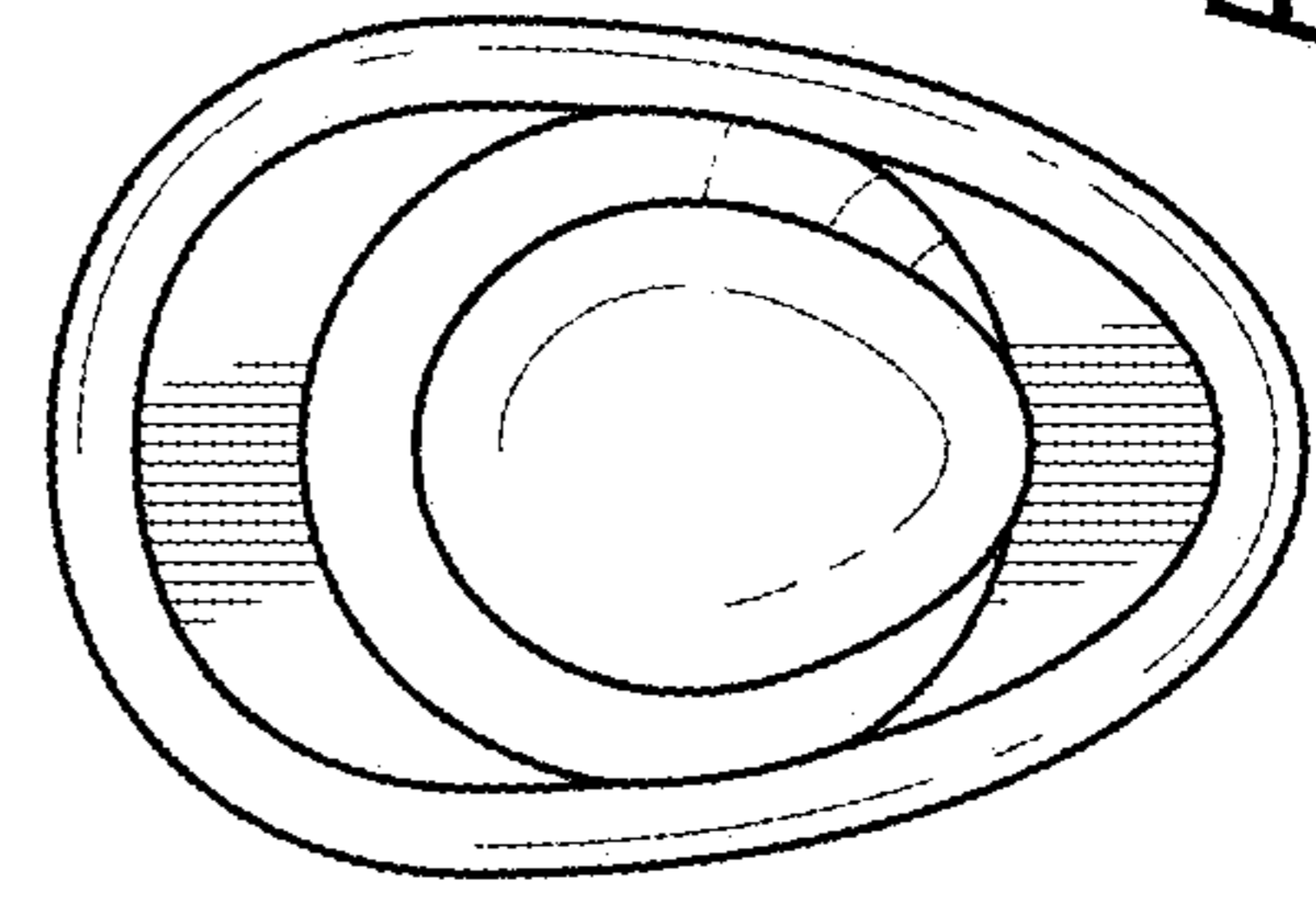


FIG. 8

UNITED STATES PATENT AND TRADEMARK OFFICE
CERTIFICATE OF CORRECTION

PATENT NO. : D873,481 S
APPLICATION NO. : 29/647728
DATED : January 21, 2020
INVENTOR(S) : Diana Larkin

Page 1 of 1

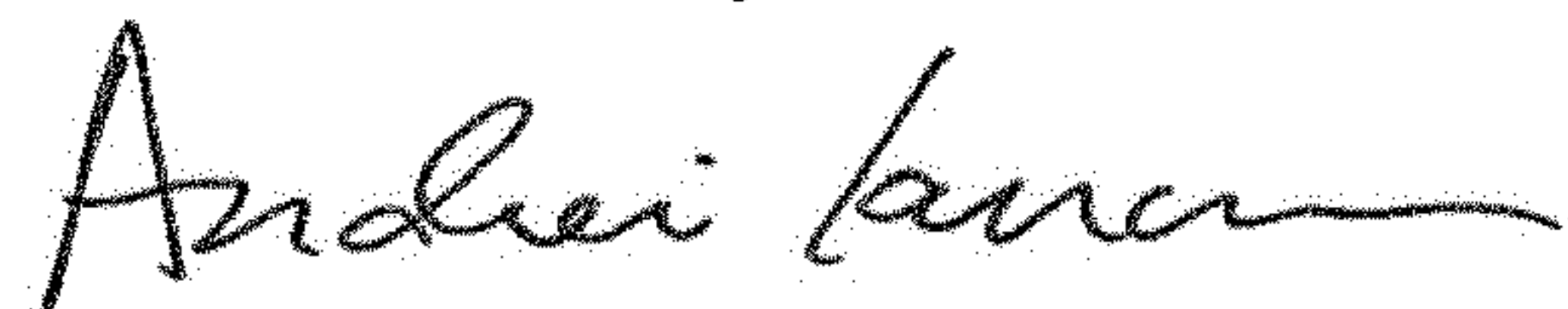
It is certified that error appears in the above-identified patent and that said Letters Patent is hereby corrected as shown below:

On the Title Page

Assignee should be as follows:

D&W Global, LLC, New Port Beach, CA (US)

Signed and Sealed this
Thirtieth Day of June, 2020



Andrei Iancu
Director of the United States Patent and Trademark Office