



US00D873475S

(12) **United States Design Patent**  
**Wang et al.**

(10) **Patent No.:** **US D873,475 S**  
(45) **Date of Patent:** **\*\* Jan. 21, 2020**

(54) **DESK LAMP**

(71) Applicant: **Shaoxing Prolux Lighting Co., Ltd.**,  
Shaoxing, Zhejiang (CN)

(72) Inventors: **Pengyun Wang**, Zhejiang (CN);  
**Guozheng Dai**, Zhejiang (CN)

(73) Assignee: **Shaoxing Prolux Lighting Co., Ltd.**,  
Shaoxing (CN)

(\*\*) Term: **15 Years**

(21) Appl. No.: **29/632,553**

(22) Filed: **Jan. 8, 2018**

(51) **LOC (12) Cl.** ..... **26-03**

(52) **U.S. Cl.**  
USPC ..... **D26/107**

(58) **Field of Classification Search**  
USPC ..... D26/1, 24, 61, 63, 65, 85, 93, 106, 107  
CPC ..... F21V 21/14; F21V 21/00; F21V 14/00;  
F21V 15/01; F21V 14/02; F21V 21/30;  
F21S 8/00; F21S 8/003; F21S 8/043;  
F21Y 2105/001; G02B 27/025  
See application file for complete search history.

(56) **References Cited**

**U.S. PATENT DOCUMENTS**

D368,319 S \* 3/1996 Huang ..... D26/51  
6,322,226 B1 \* 11/2001 Dickson ..... G02B 27/025  
359/802

D506,018 S \* 6/2005 Campo ..... D26/62  
D513,088 S \* 12/2005 Baarman ..... D26/106  
D644,367 S \* 8/2011 Fu ..... D26/65  
D802,201 S \* 11/2017 Xu ..... D26/107  
D835,316 S \* 12/2018 Edgar ..... D26/51

\* cited by examiner

*Primary Examiner* — Brian N. Vinson

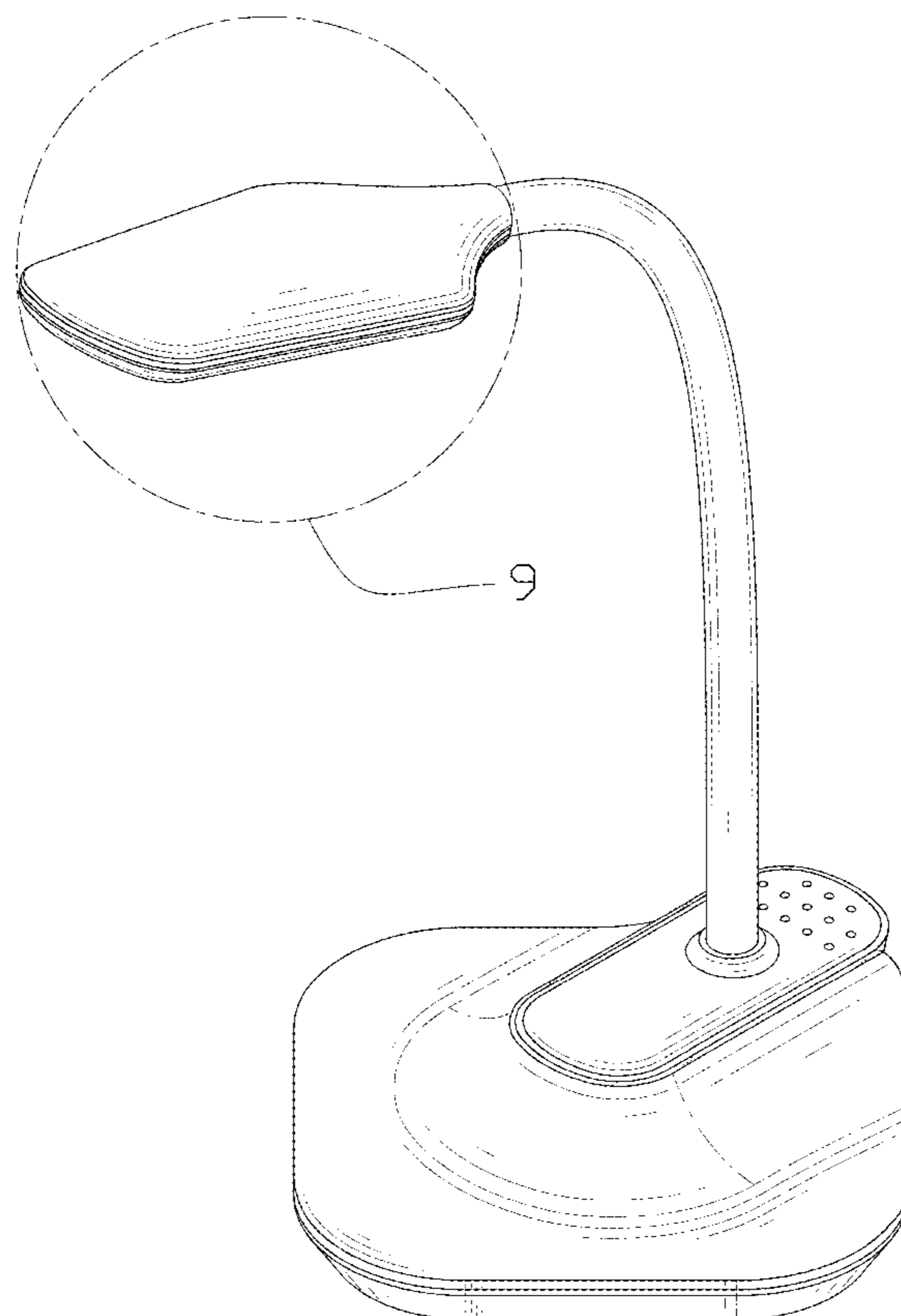
(57) **CLAIM**

The ornamental design for a desk lamp, as shown and described.

**DESCRIPTION**

FIG. 1 is a first perspective view of a desk lamp showing our new design;  
FIG. 2 is a second perspective view thereof;  
FIG. 3 is a front elevational view thereof;  
FIG. 4 is a rear elevational view thereof;  
FIG. 5 is a left side view thereof;  
FIG. 6 is a right side view thereof;  
FIG. 7 is a top plan view thereof;  
FIG. 8 is a bottom plan view thereof;  
FIG. 9 is an enlarged view of portion 9 in FIG. 1; and,  
FIG. 10 is an enlarged view of portion 10 in FIG. 2.  
The broken lines in the drawings illustrate portions of the desk lamp which form no part of the claimed design.

**1 Claim, 10 Drawing Sheets**



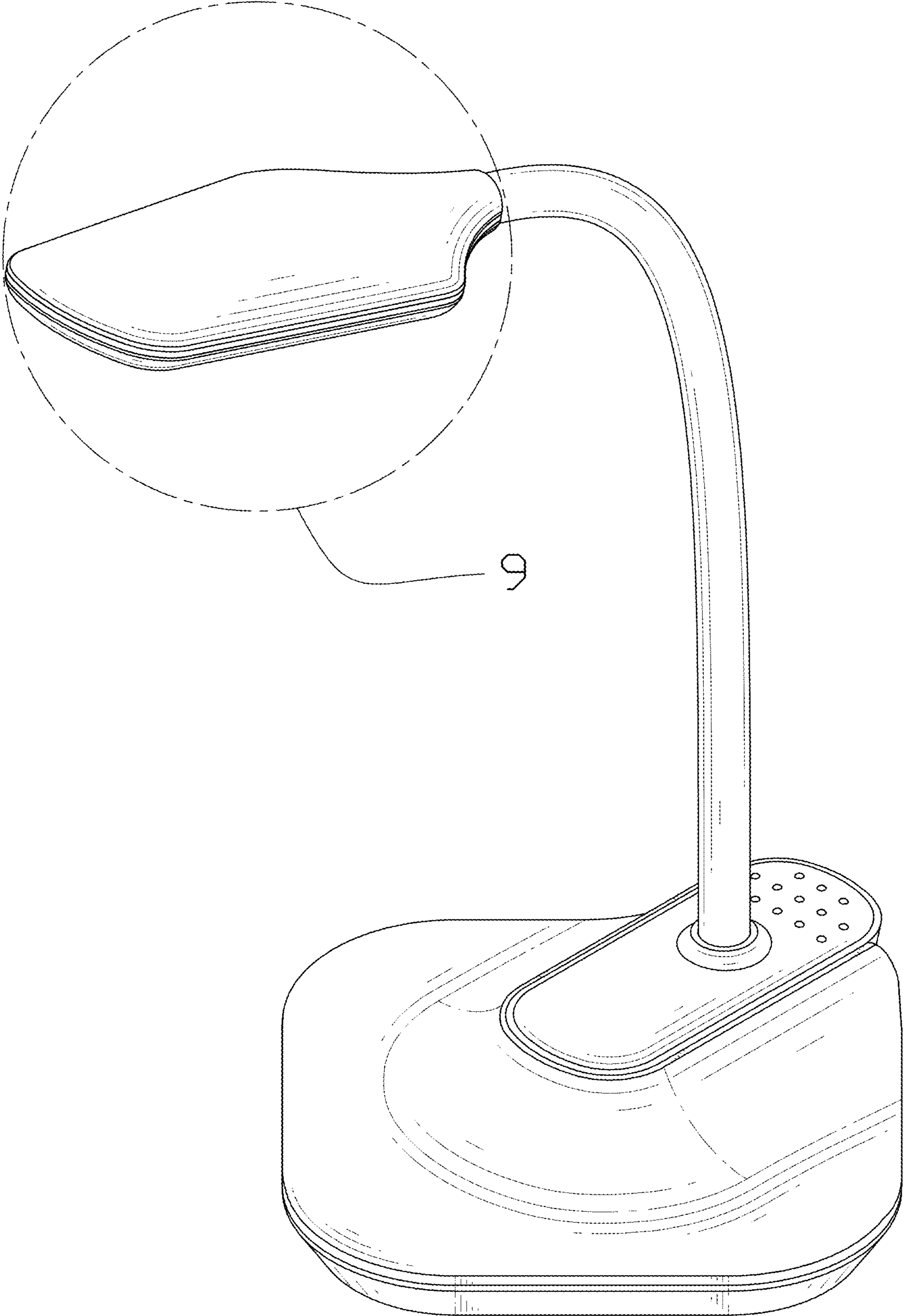


FIG. 1

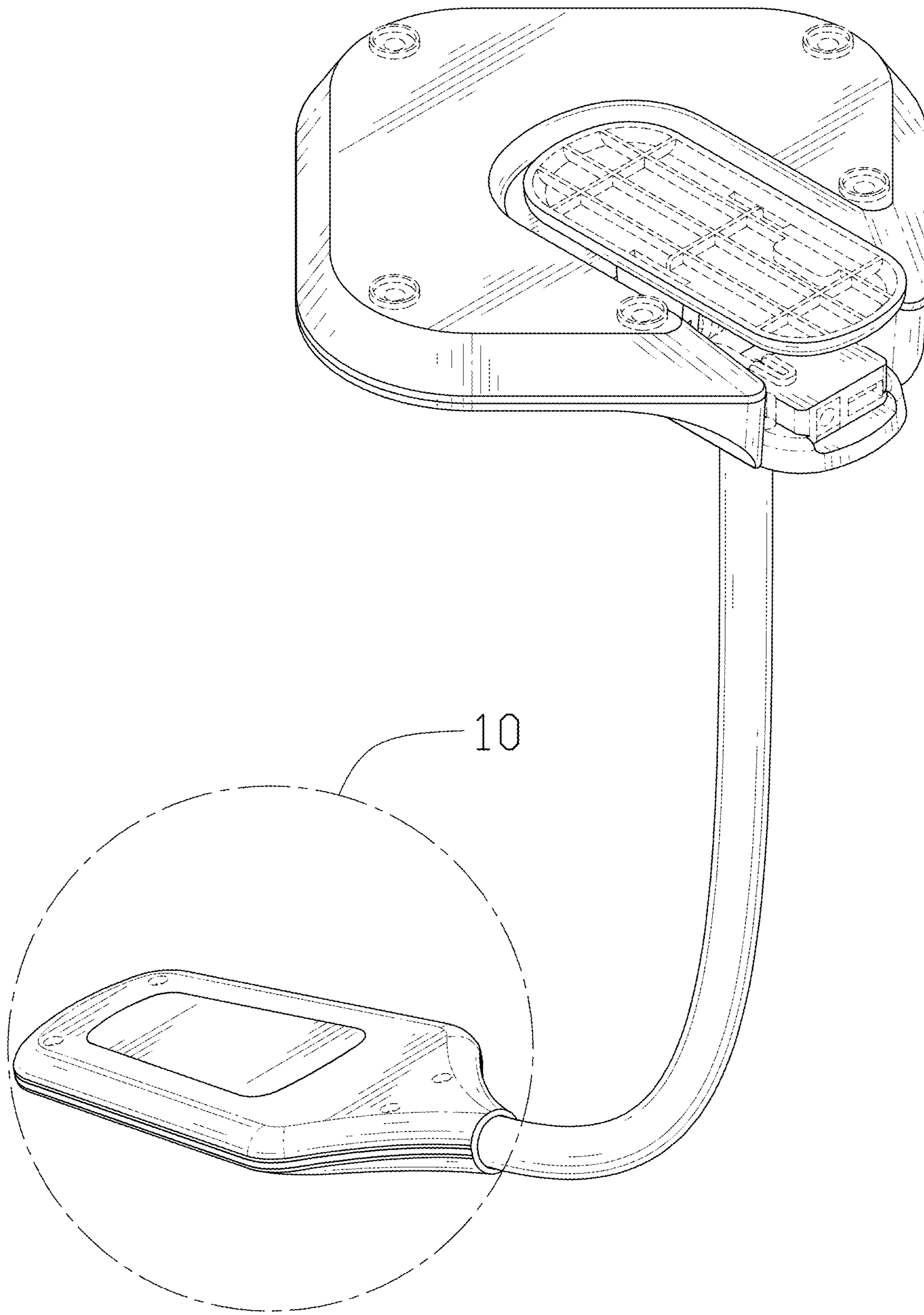


FIG. 2

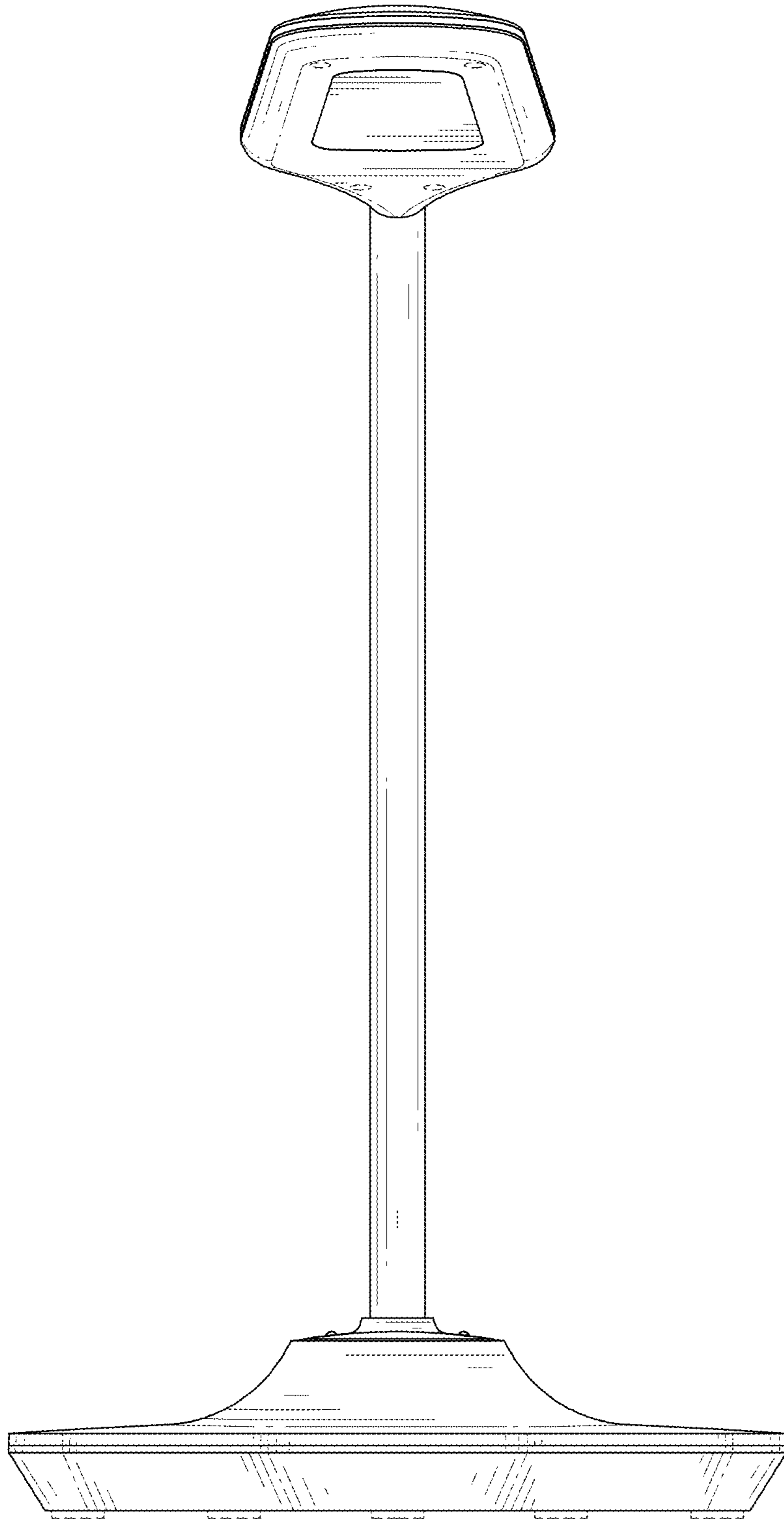


FIG. 3

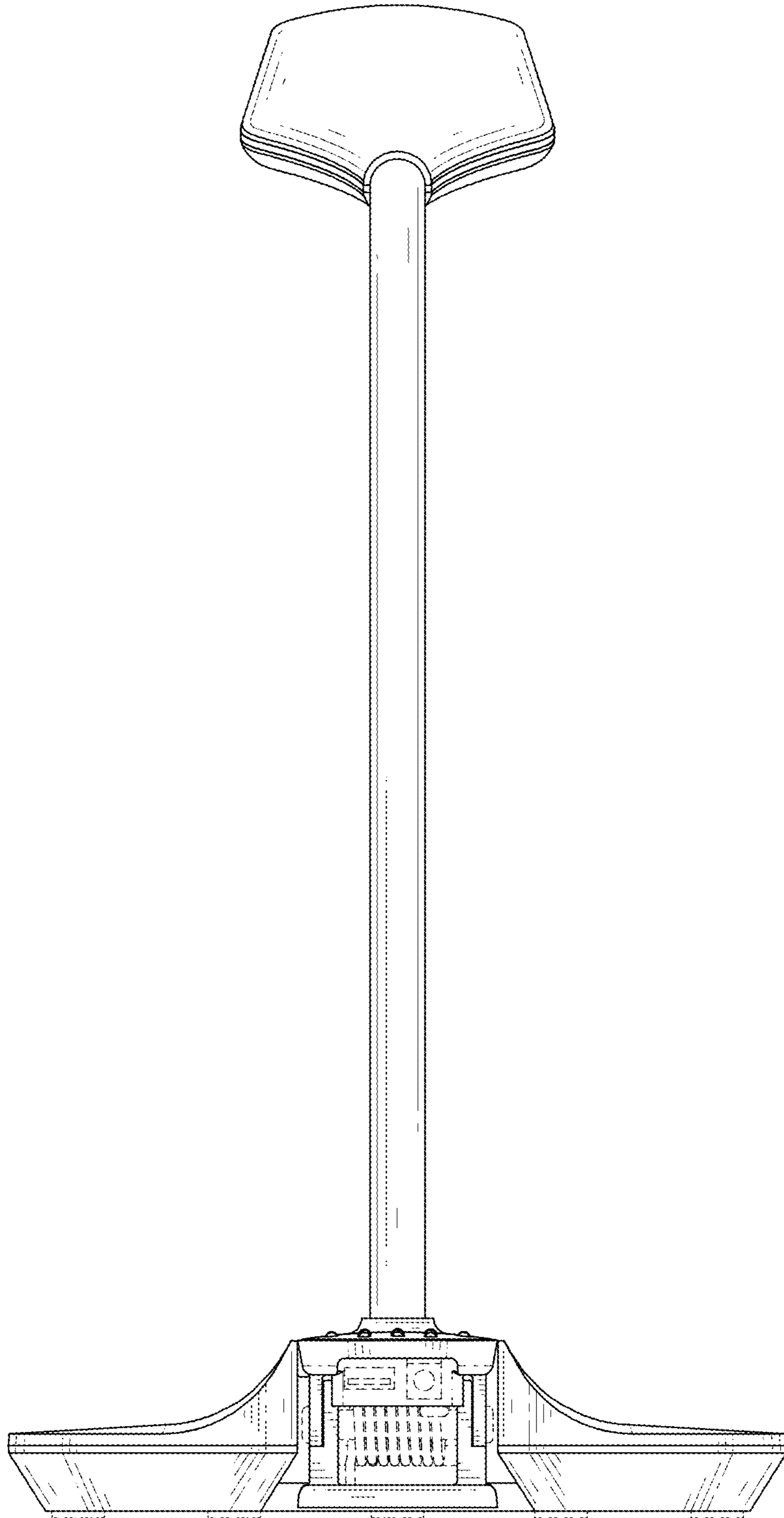


FIG. 4



FIG. 5



FIG. 6

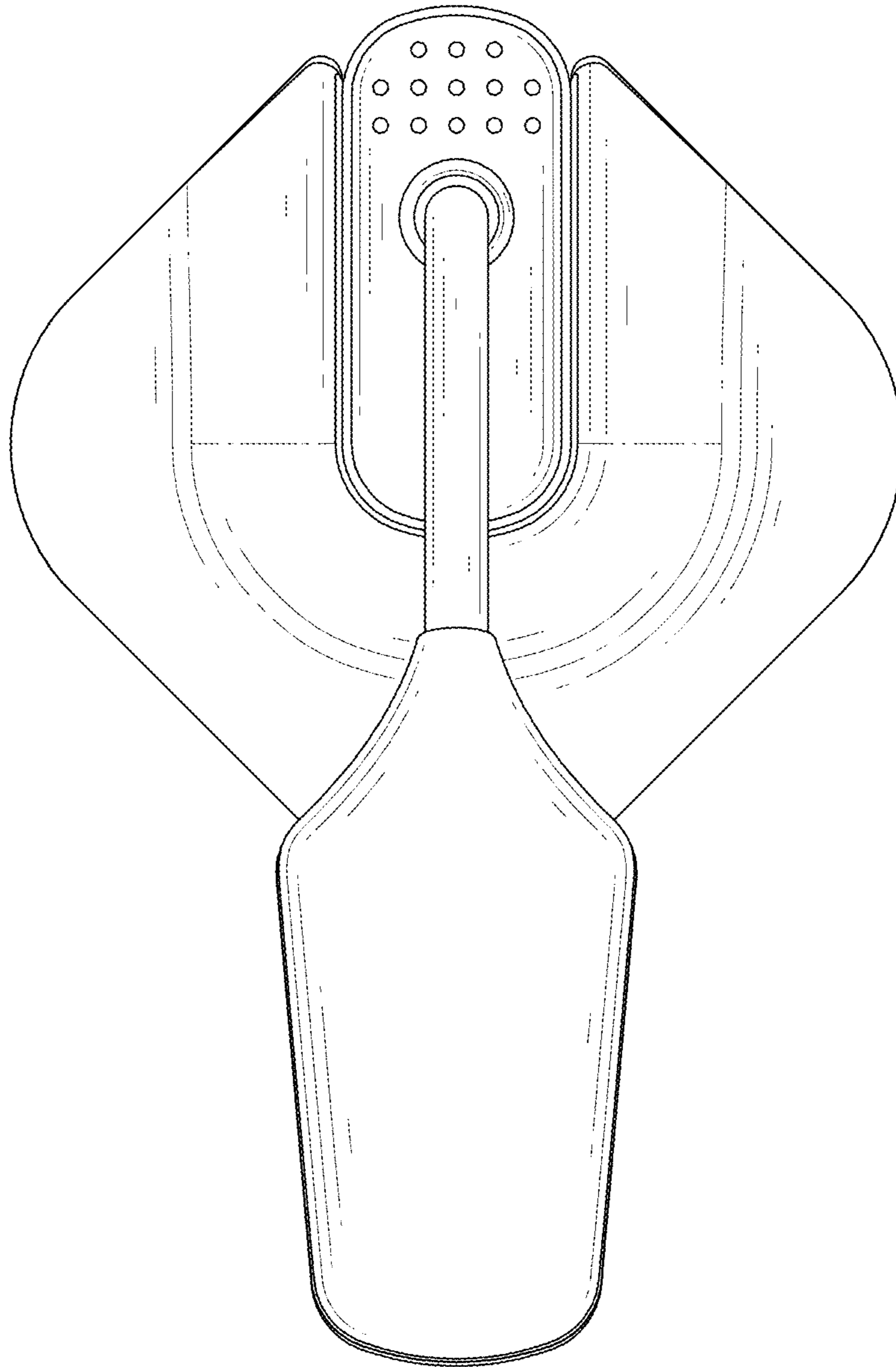


FIG. 7



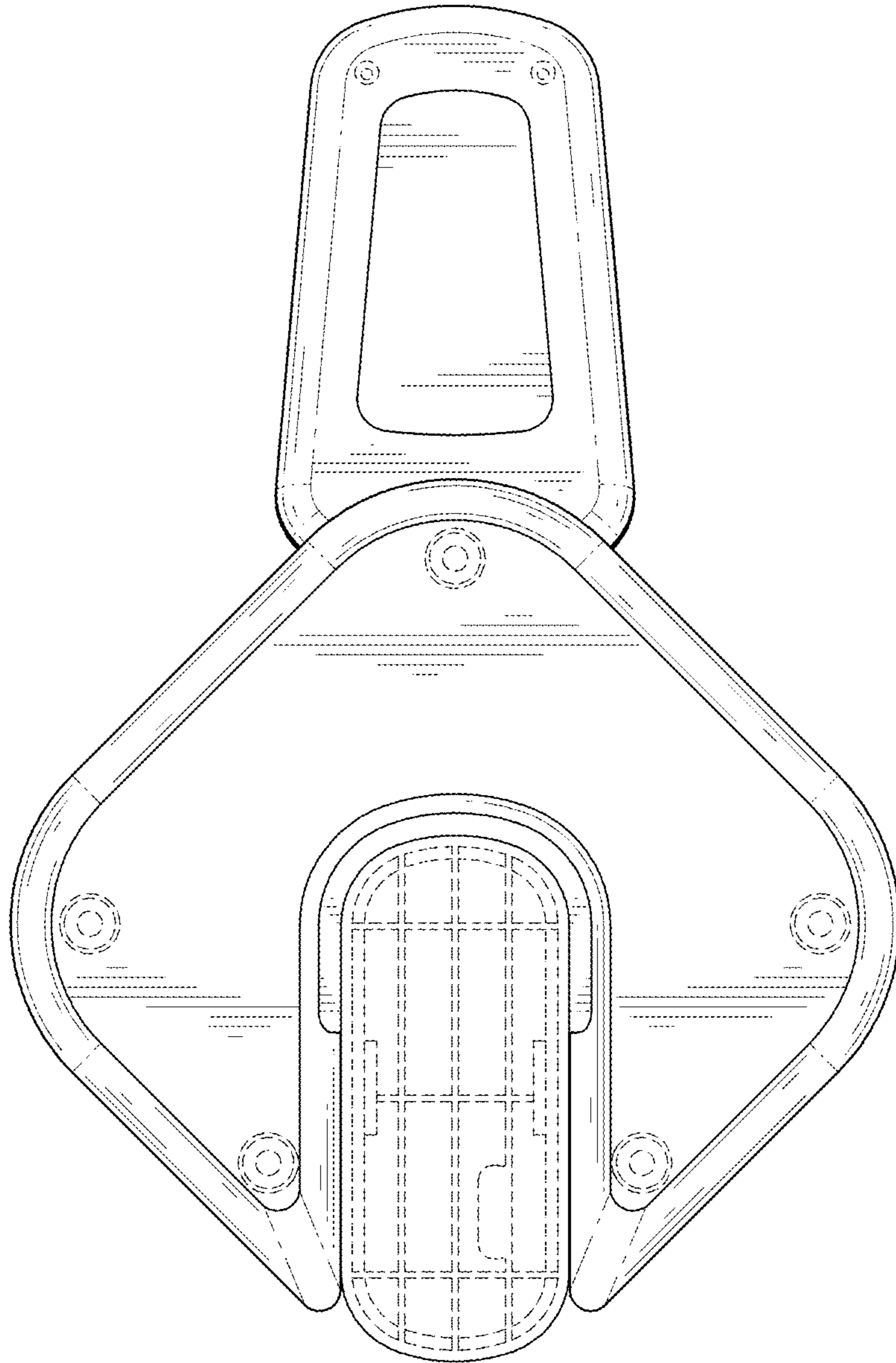


FIG. 8



FIG. 9

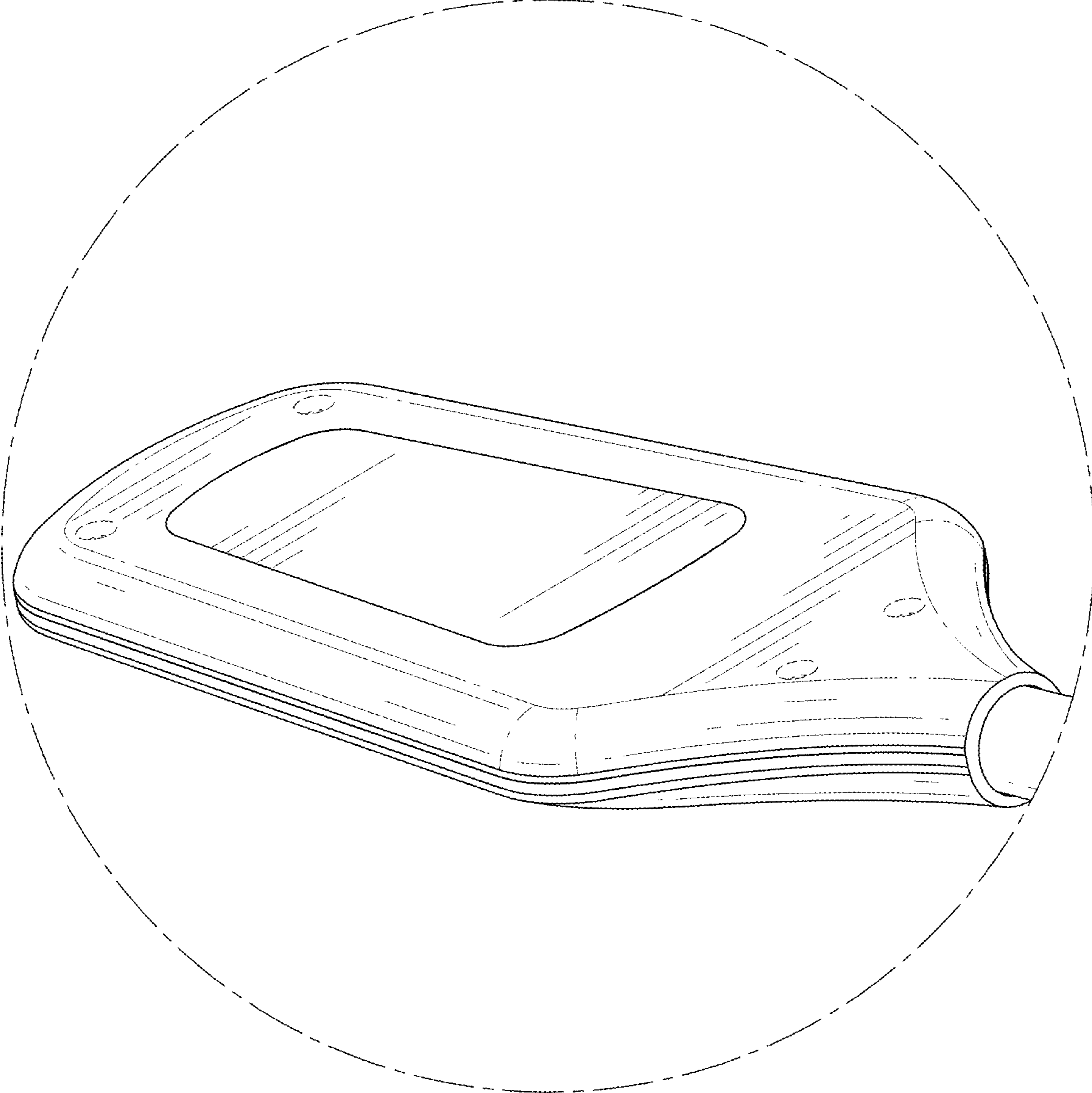


FIG. 10