



US00D873474S

(12) **United States Design Patent**
Wang et al.

(10) **Patent No.:** **US D873,474 S**
(45) **Date of Patent:** **** Jan. 21, 2020**

(54) **DESK LAMP**

(71) Applicant: **Shaoxing Prolux Lighting Co., Ltd.**,
Shaoxing, Zhejiang (CN)

(72) Inventors: **Pengyun Wang**, Zhejiang (CN);
Guozheng Dai, Zhejiang (CN)

(73) Assignee: **Shaoxing Prolux Lighting Co., Ltd.**,
Shaoxing (CN)

(**) Term: **15 Years**

(21) Appl. No.: **29/632,549**

(22) Filed: **Jan. 8, 2018**

(51) **LOC (12) Cl.** **26-03**

(52) **U.S. Cl.**
USPC **D26/107**

(58) **Field of Classification Search**
USPC D26/1, 24, 61, 63, 65, 85, 93, 106, 107
CPC F21V 21/14; F21V 15/01; F21V 14/02;
F21V 21/30; F21V 21/00; F21V 14/00;
F21S 8/00; F21S 8/003; F21S 8/043;
F21Y 2105/001; G02B 27/025
See application file for complete search history.

(56) **References Cited**

U.S. PATENT DOCUMENTS

D368,319 S * 3/1996 Huang D26/51
6,322,226 B1 * 11/2001 Dickson G02B 27/025
359/802

D506,018 S * 6/2005 Campo D26/62
D513,088 S * 12/2005 Baarman D26/106
D644,367 S * 8/2011 Fu D26/65
D802,201 S * 11/2017 Xu D26/107
D835,316 S * 12/2018 Edgar D26/51

* cited by examiner

Primary Examiner — Brian N. Vinson

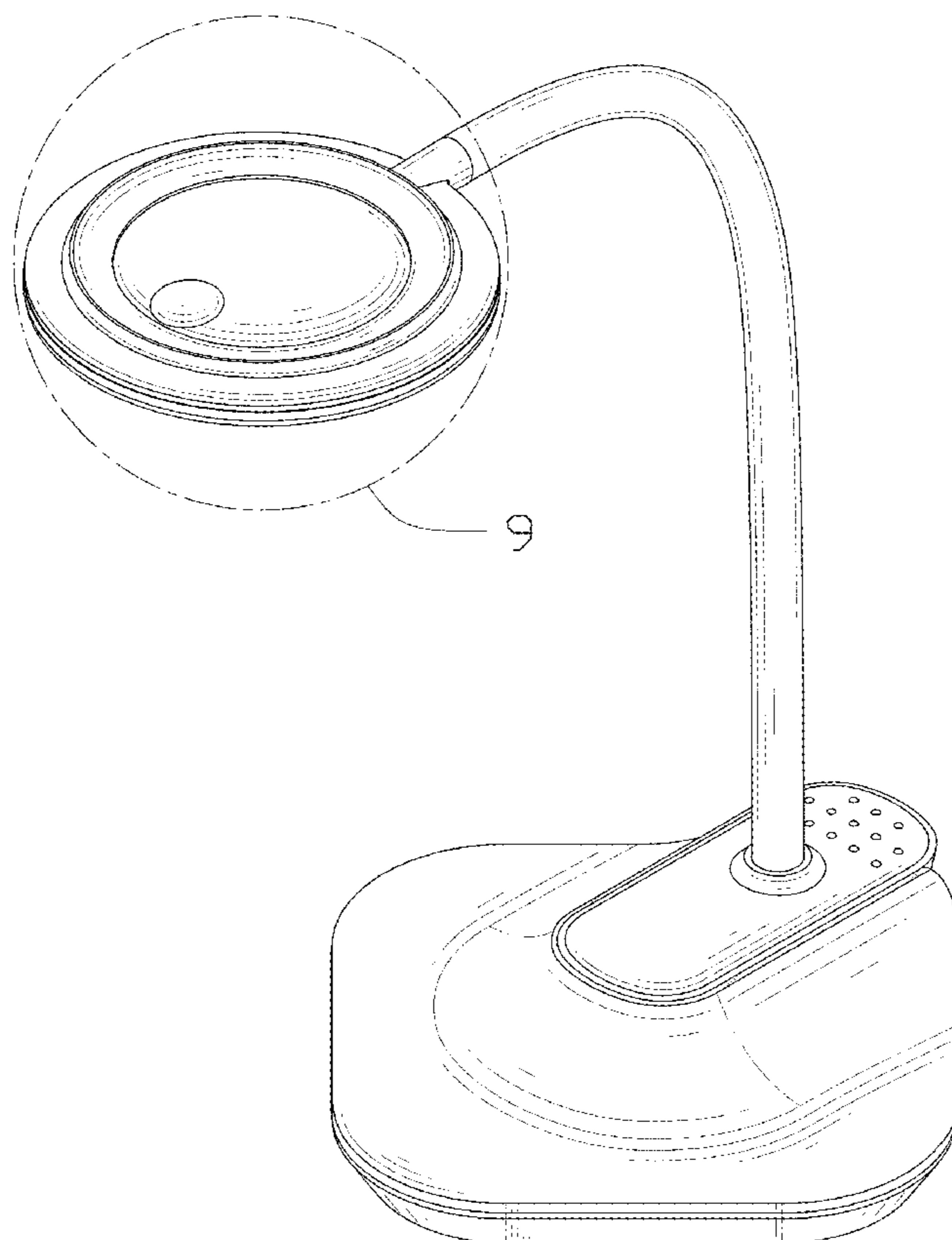
(57) **CLAIM**

The ornamental design for a desk lamp, as shown and described.

DESCRIPTION

FIG. 1 is a first perspective view of a desk lamp showing our new design;
FIG. 2 is a second perspective view thereof;
FIG. 3 is a front elevational view thereof;
FIG. 4 is a rear elevational view thereof;
FIG. 5 is a left side view thereof;
FIG. 6 is a right side view thereof;
FIG. 7 is a top plan view thereof;
FIG. 8 is a bottom plan view thereof;
FIG. 9 is an enlarged view of portion 9 in FIG. 1; and,
FIG. 10 is an enlarged view of portion 10 in FIG. 3.
The broken lines in the drawings illustrate portions of the desk lamp which form no part of the claimed design.

1 Claim, 10 Drawing Sheets



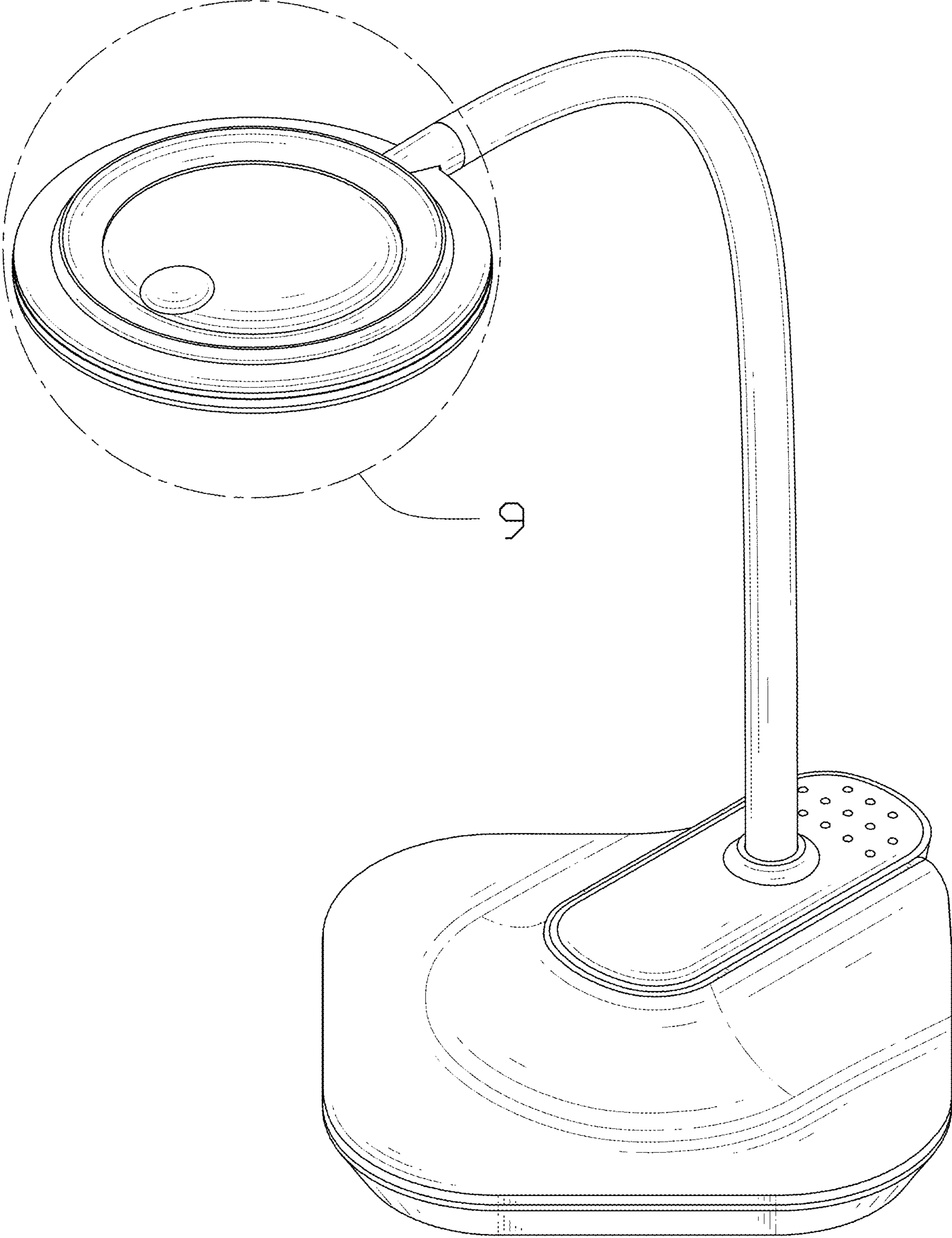


FIG. 1

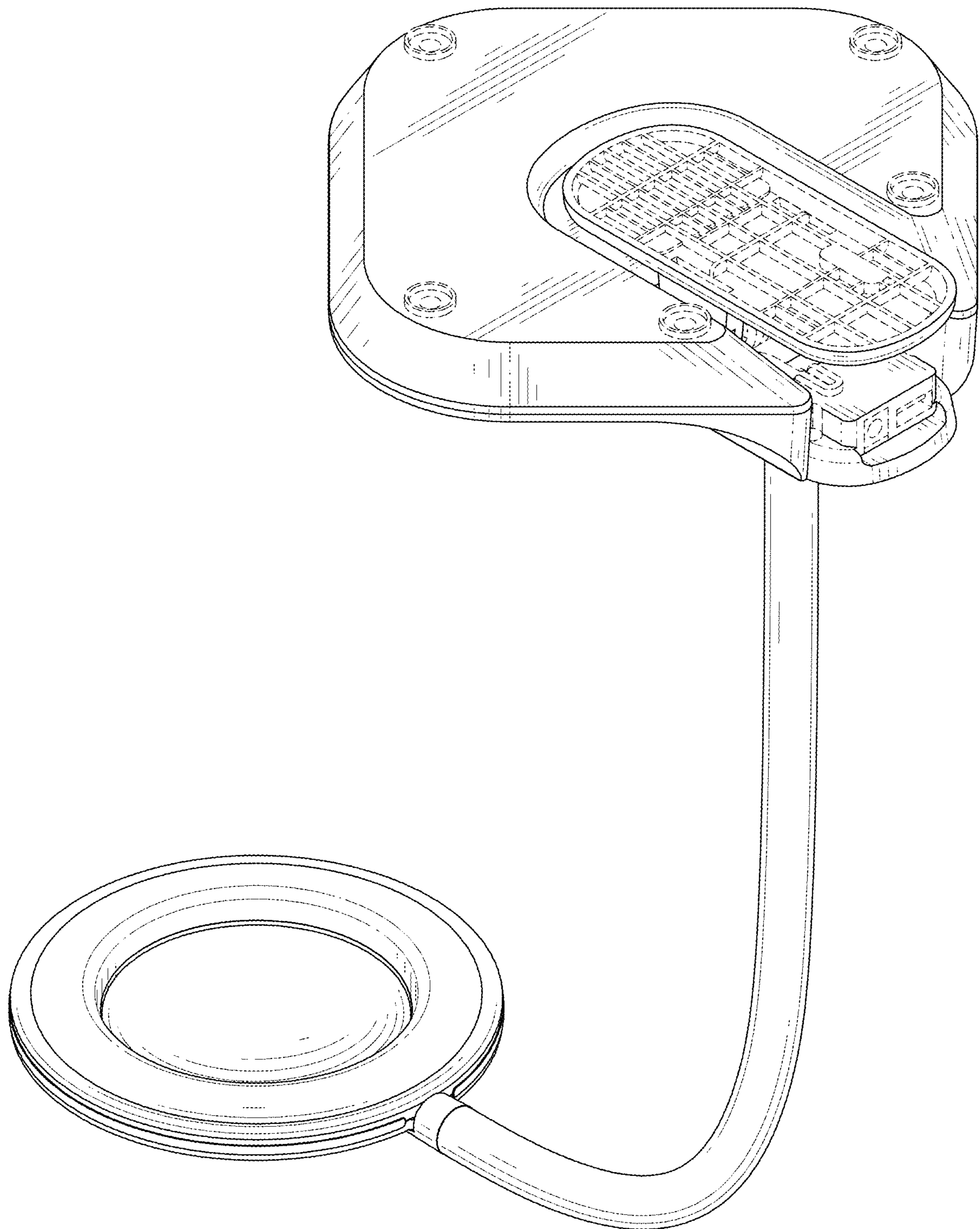


FIG. 2

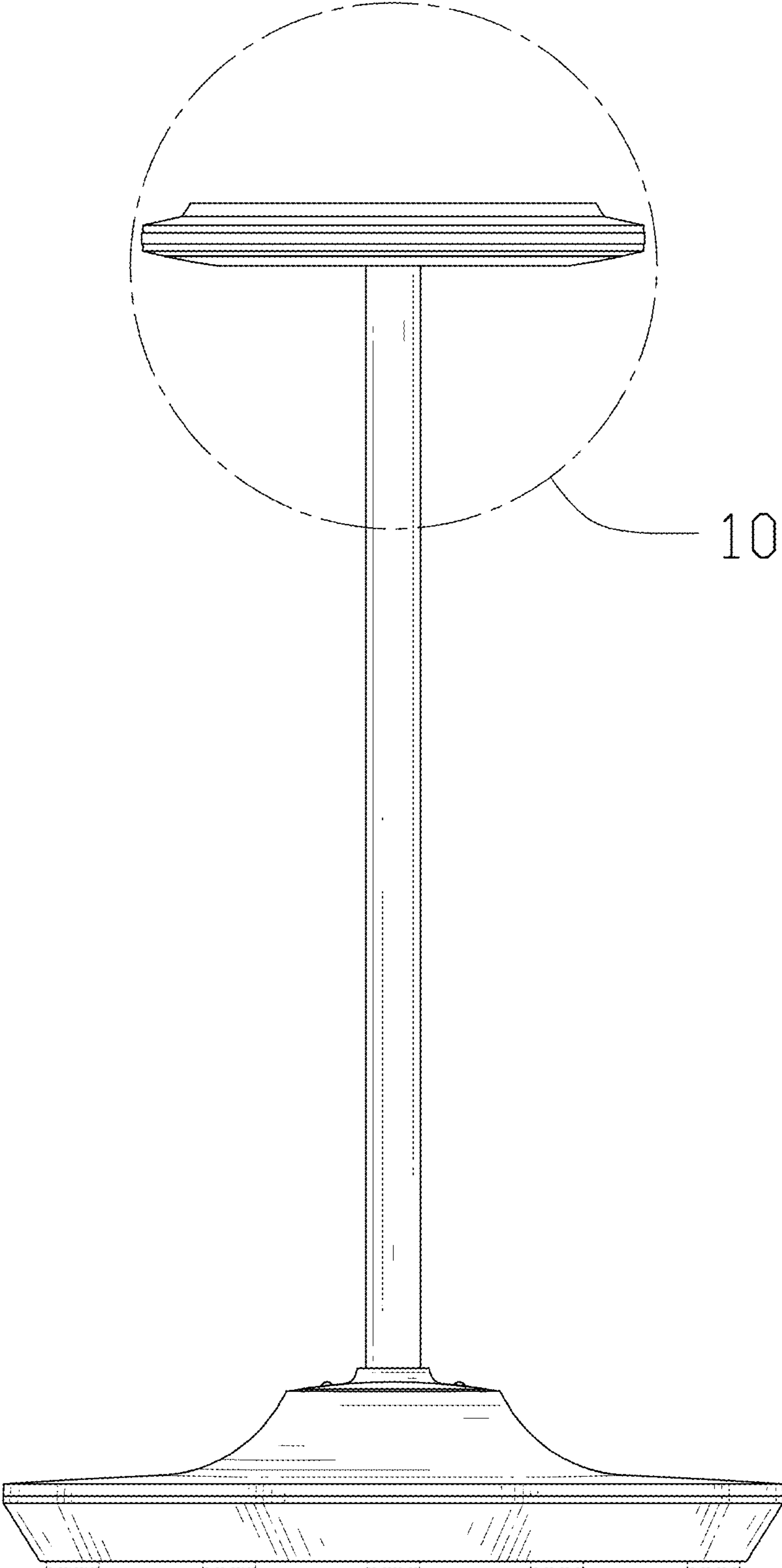


FIG. 3

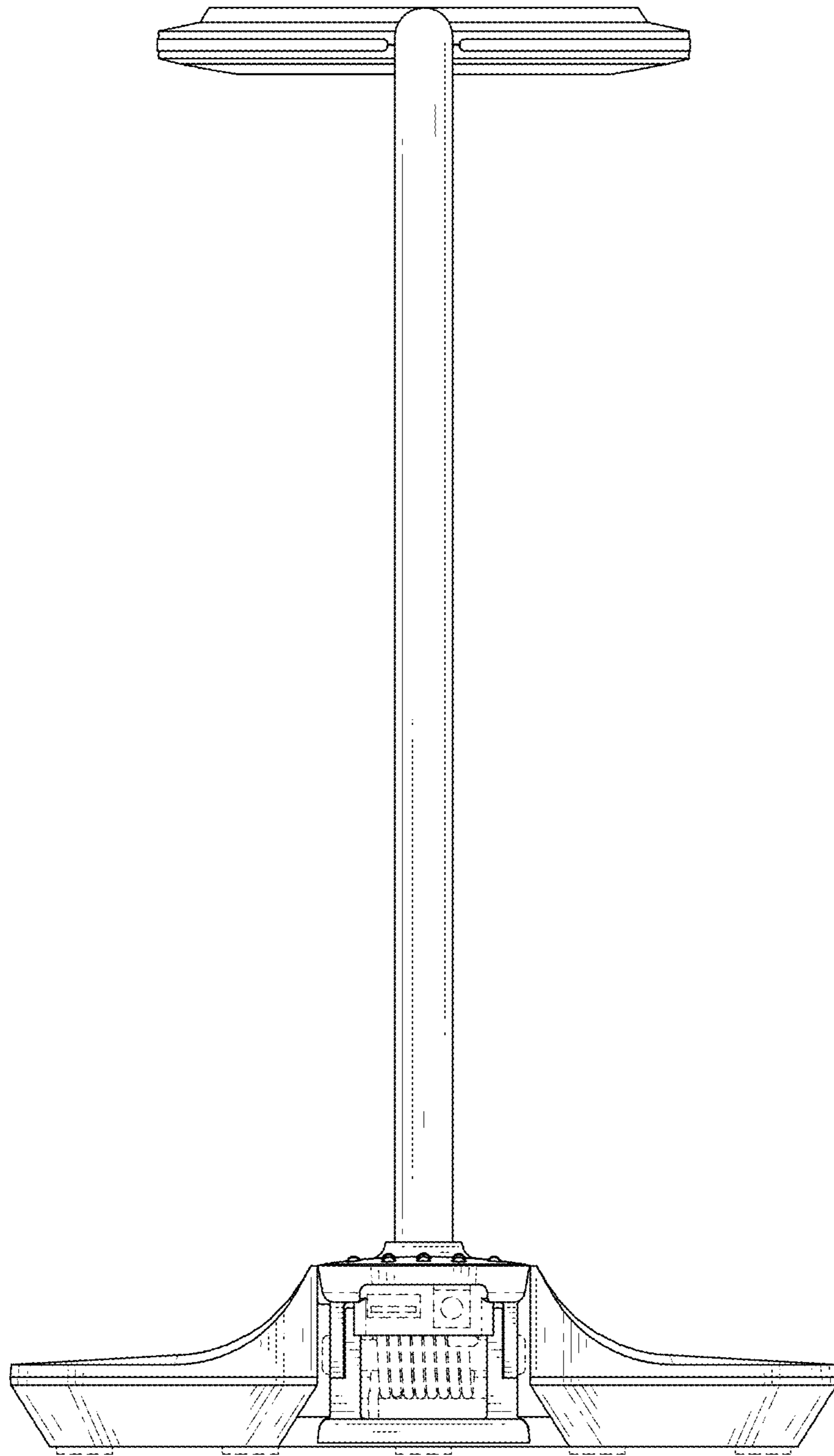


FIG. 4

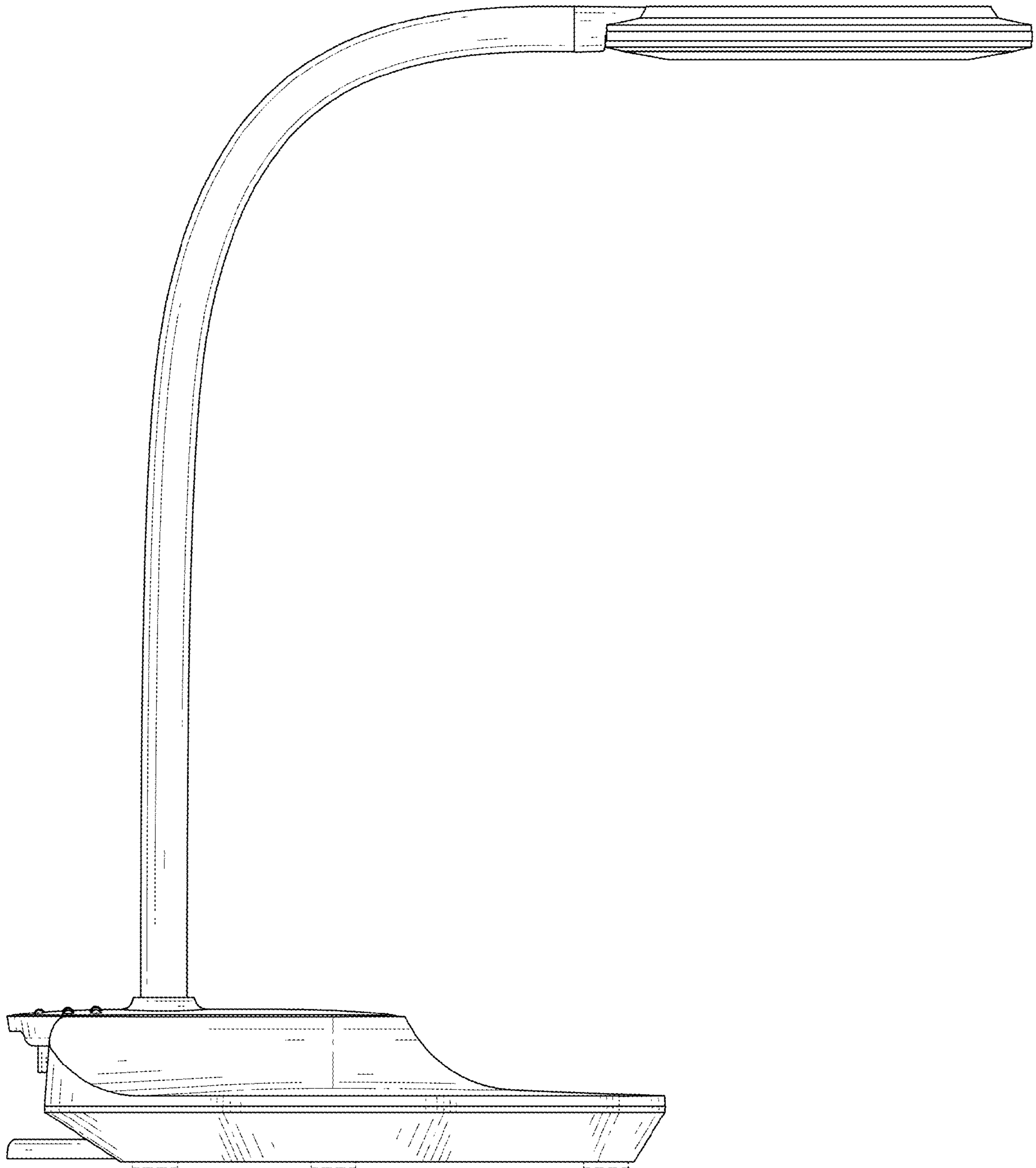


FIG. 5

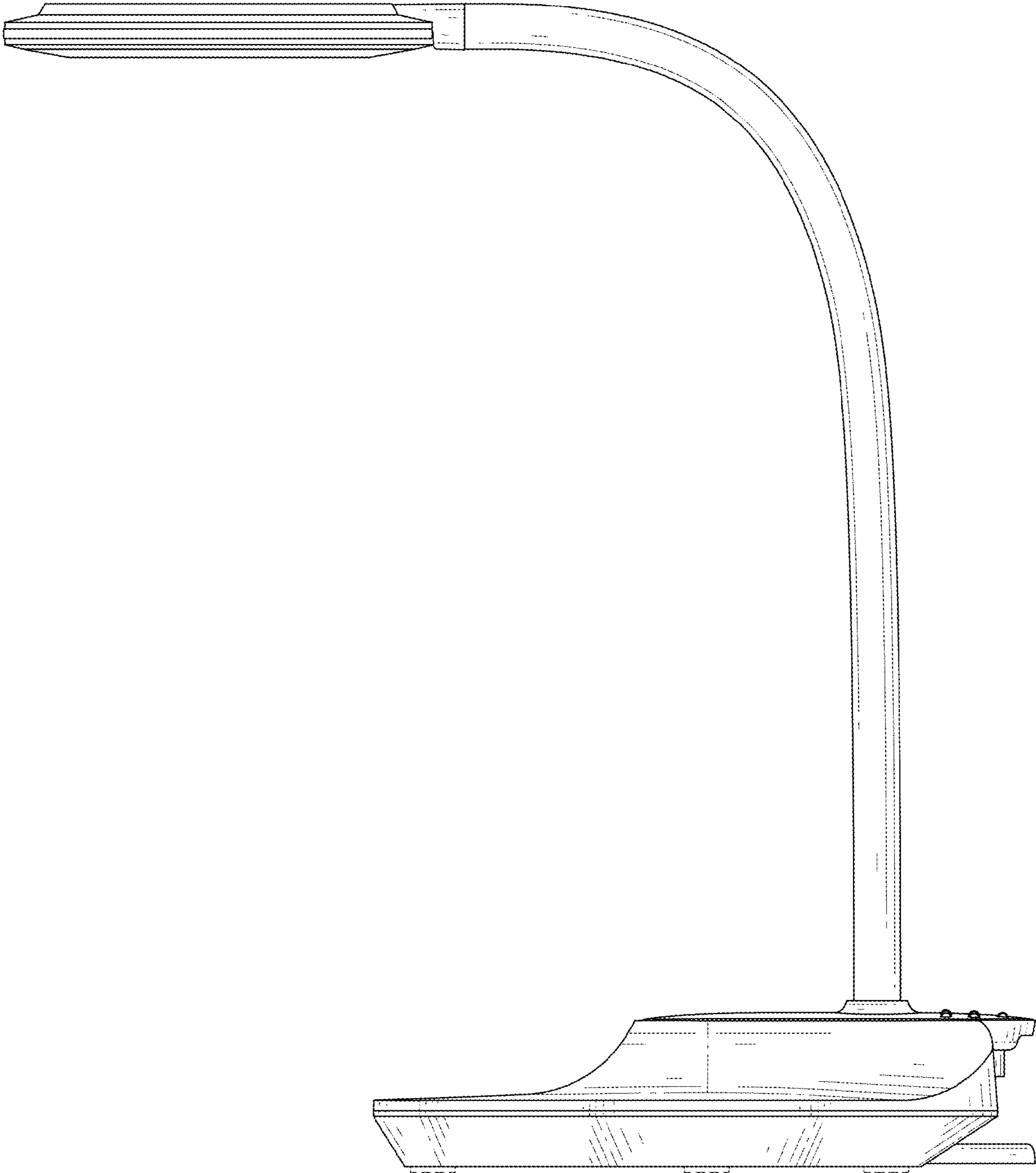


FIG. 6

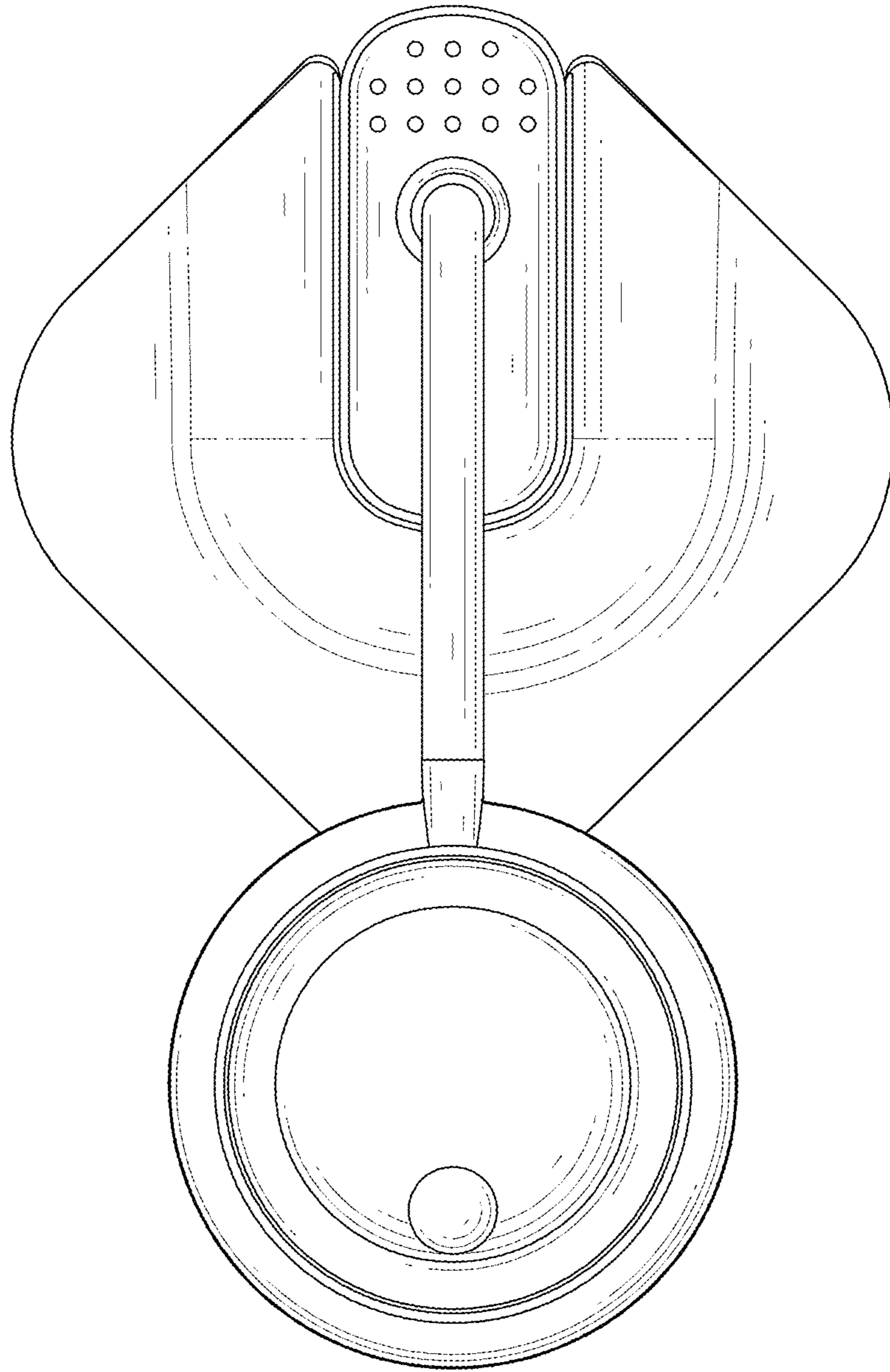


FIG. 7

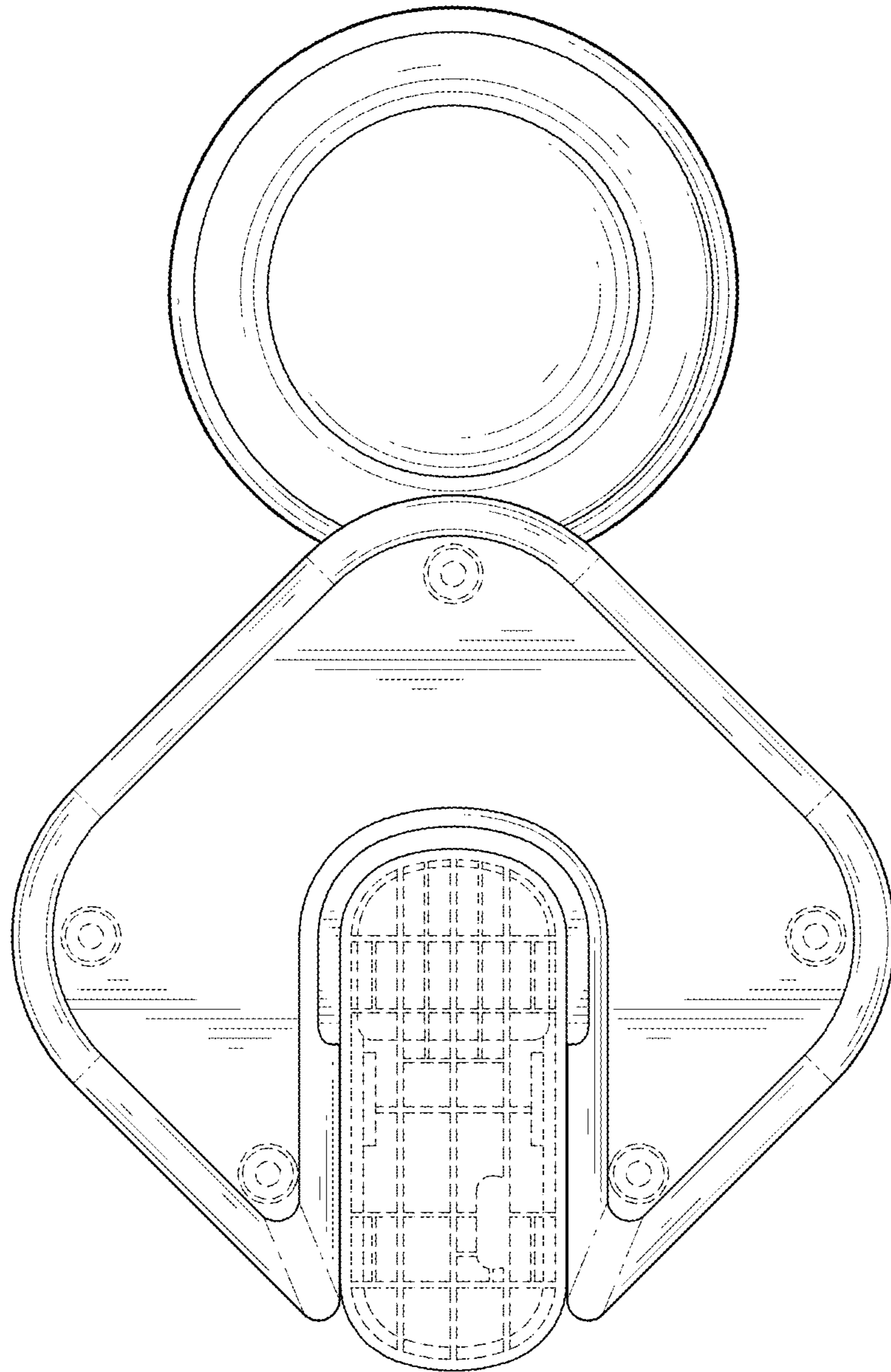


FIG. 8

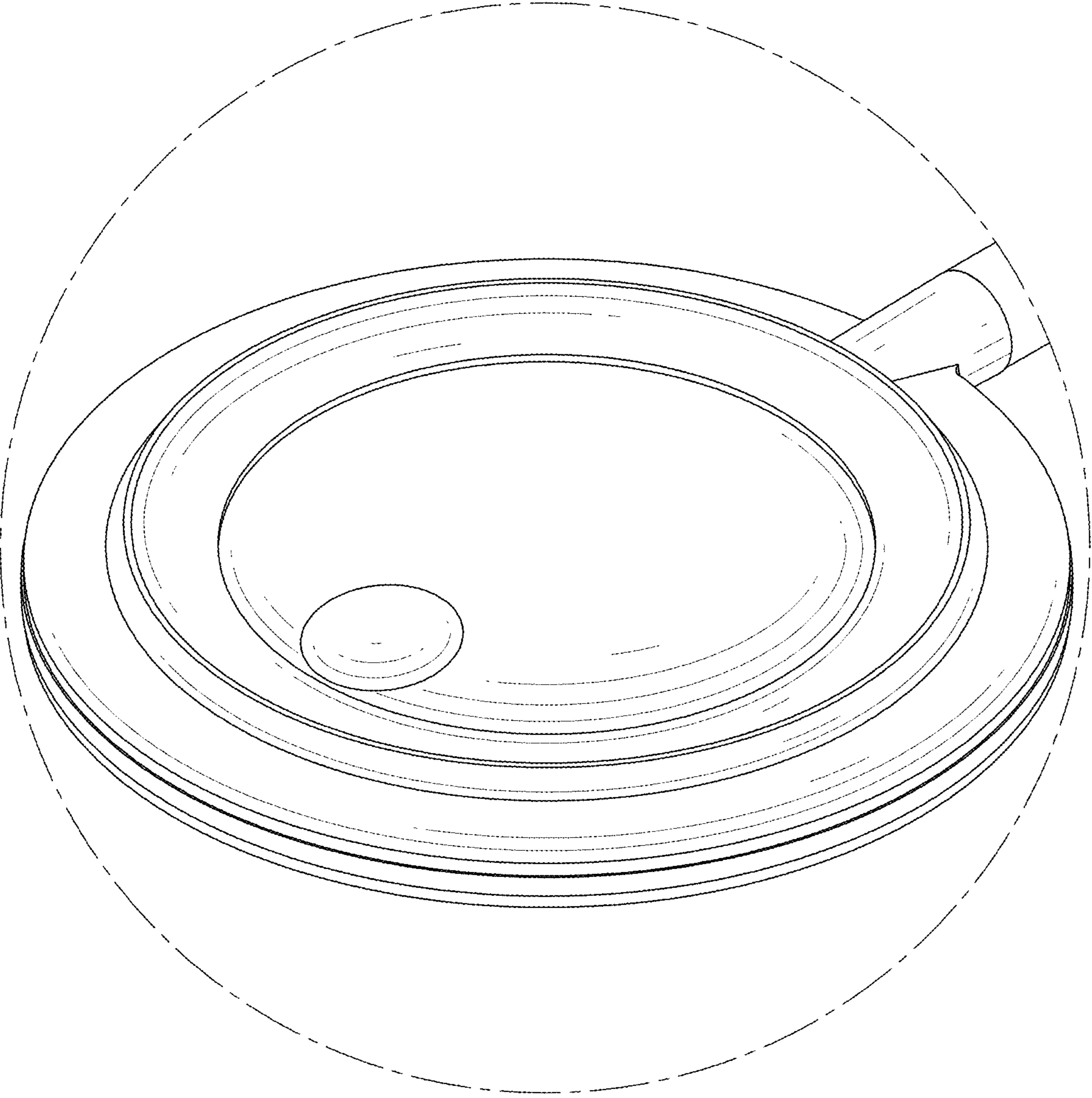


FIG. 9

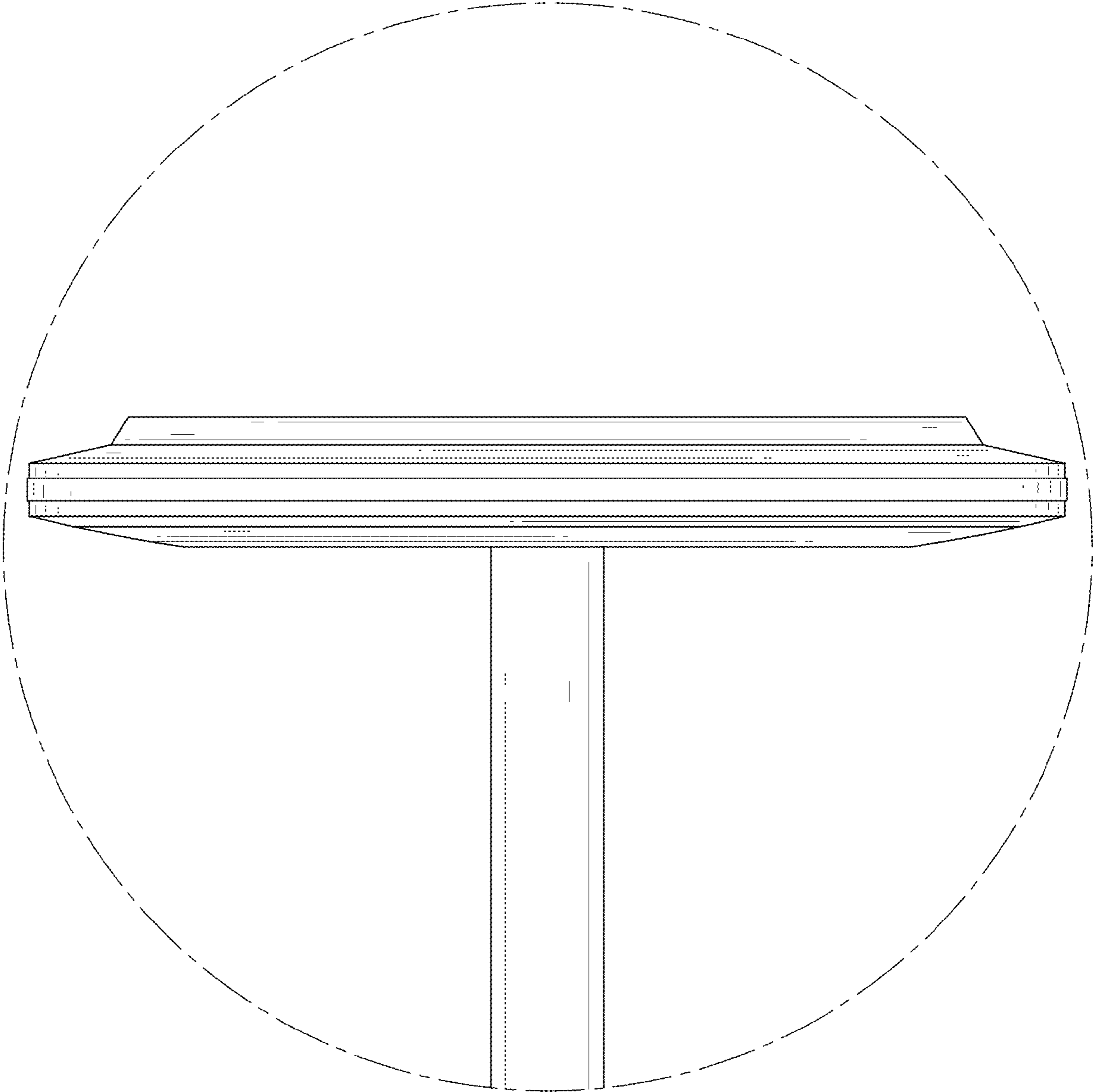


FIG. 10