



US00D873466S

(12) **United States Design Patent** (10) **Patent No.:** **US D873,466 S**  
**Wiedemer et al.** (45) **Date of Patent:** **\*\* Jan. 21, 2020**

- (54) **LIGHTING FIXTURE**
- (71) Applicant: **Hinkley Lighting, Inc.**, Avon Lake, OH (US)
- (72) Inventors: **Jess Wiedemer**, Rocky River, OH (US); **Michael Kachala**, Avon Lake, OH (US); **Eric Wiedemer**, Rocky River, OH (US)
- (73) Assignee: **HINKLEY LIGHTING, INC.**, Avon Lake, OH (US)
- (\*\*) Term: **15 Years**
- (21) Appl. No.: **29/605,699**
- (22) Filed: **May 30, 2017**

- 6,464,368 B1 10/2002 Chen
  - 6,608,253 B1 8/2003 Rintz
  - 6,888,323 B1 5/2005 Null et al.
  - D524,461 S \* 7/2006 Molenaar ..... D26/26
  - D533,956 S \* 12/2006 Vladika ..... D26/118
  - D535,775 S \* 1/2007 Lueken ..... D26/72
  - D570,518 S 6/2008 Haimov
  - D581,084 S 11/2008 Kawaguchi et al.
  - D591,440 S 4/2009 Mxik et al.
- (Continued)

**Related U.S. Application Data**

- (62) Division of application No. 29/526,421, filed on May 8, 2015, now Pat. No. Des. 791,955, which is a division of application No. 29/495,496, filed on Jul. 1, 2014, now Pat. No. Des. 736,987.
- (51) **LOC (12) Cl.** ..... **26-05**
- (52) **U.S. Cl.**  
USPC ..... **D26/74**
- (58) **Field of Classification Search**  
USPC ... D26/72, 74-78, 85, 88, 89, 118, 138, 141  
CPC ..... F21S 8/00; F21S 8/02; F21S 8/022; F21S 8/024; F21S 8/03; F21S 8/031; F21S 8/032; F21S 8/033; F21S 8/035  
See application file for complete search history.

**References Cited**

**U.S. PATENT DOCUMENTS**

- D344,362 S \* 2/1994 Engle ..... D26/72
- D409,325 S \* 5/1999 Holder ..... D26/74
- D434,915 S 12/2000 Zapf
- 6,250,773 B1 6/2001 Lai
- D456,932 S 5/2002 Crosby

**OTHER PUBLICATIONS**

Hinkley Lighting, Inc's "Luna" fixtures from the Hinkley Catalog, Published at least as early as 2011 (5 pages).

*Primary Examiner* — L. Martinez

(74) *Attorney, Agent, or Firm* — Pearne & Gordon LLP

(57) **CLAIM**

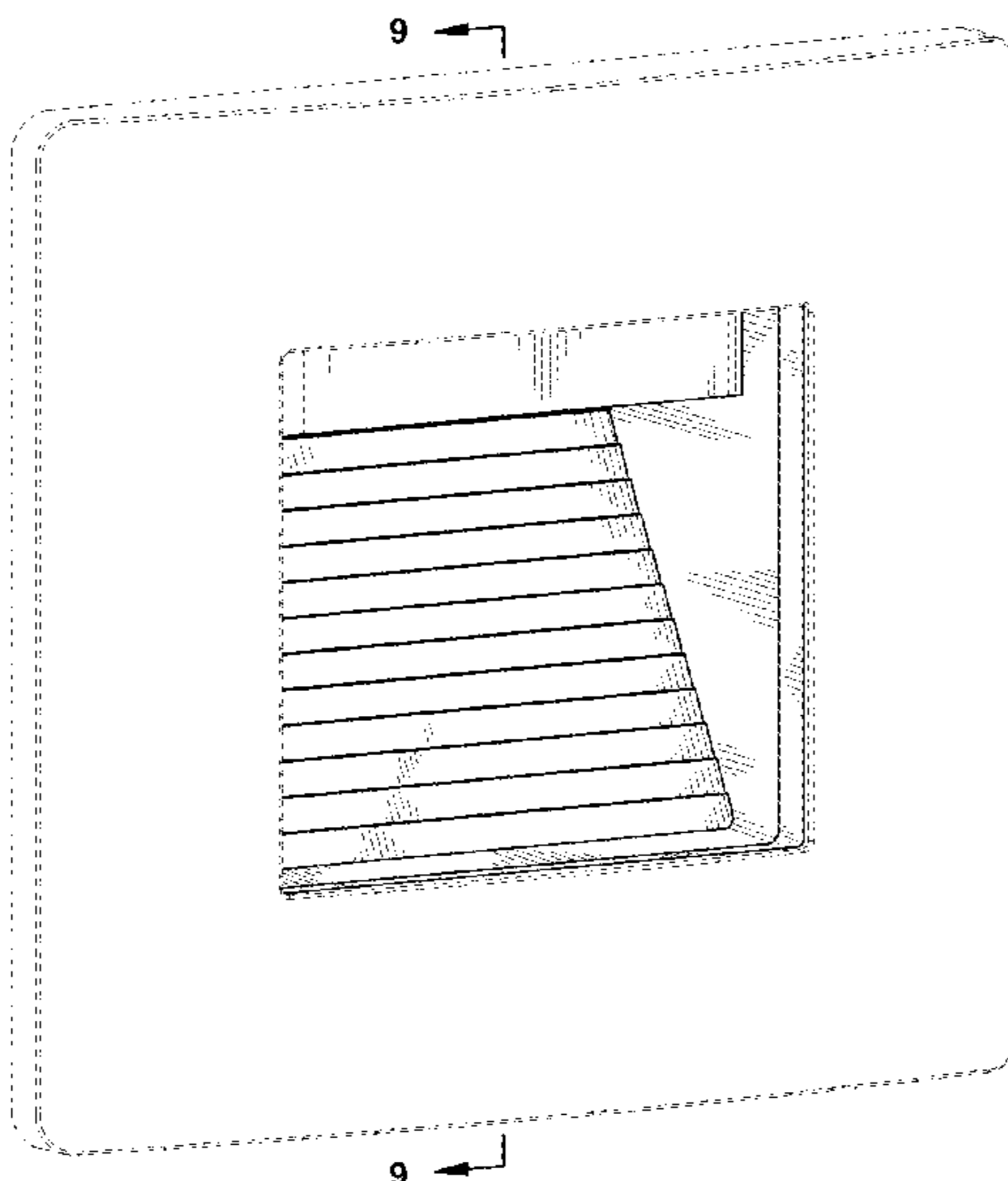
We claim the ornamental design for a lighting fixture, as shown and described.

**DESCRIPTION**

FIG. 1 is a top perspective view;  
FIG. 2 is a bottom perspective view;  
FIG. 3 is a front view;  
FIG. 4 is a rear view;  
FIG. 5 is a left-side view;  
FIG. 6 is a right-side view;  
FIG. 7 is a top view;  
FIG. 8 is a bottom view; and,  
FIG. 9 is a side cross-sectional view taken along line 9-9 in FIG. 1 showing a stepped profile feature of the fixture in more detail.

Features illustrated in broken lines form no part of the claim and are illustrated to indicate context or environment only. Numbered lines and arrowheads shown in the drawings also form no part of the claimed design, and are present only to indicate the imaginary lines along which a cross-sectional view is taken as described herein.

**1 Claim, 7 Drawing Sheets**



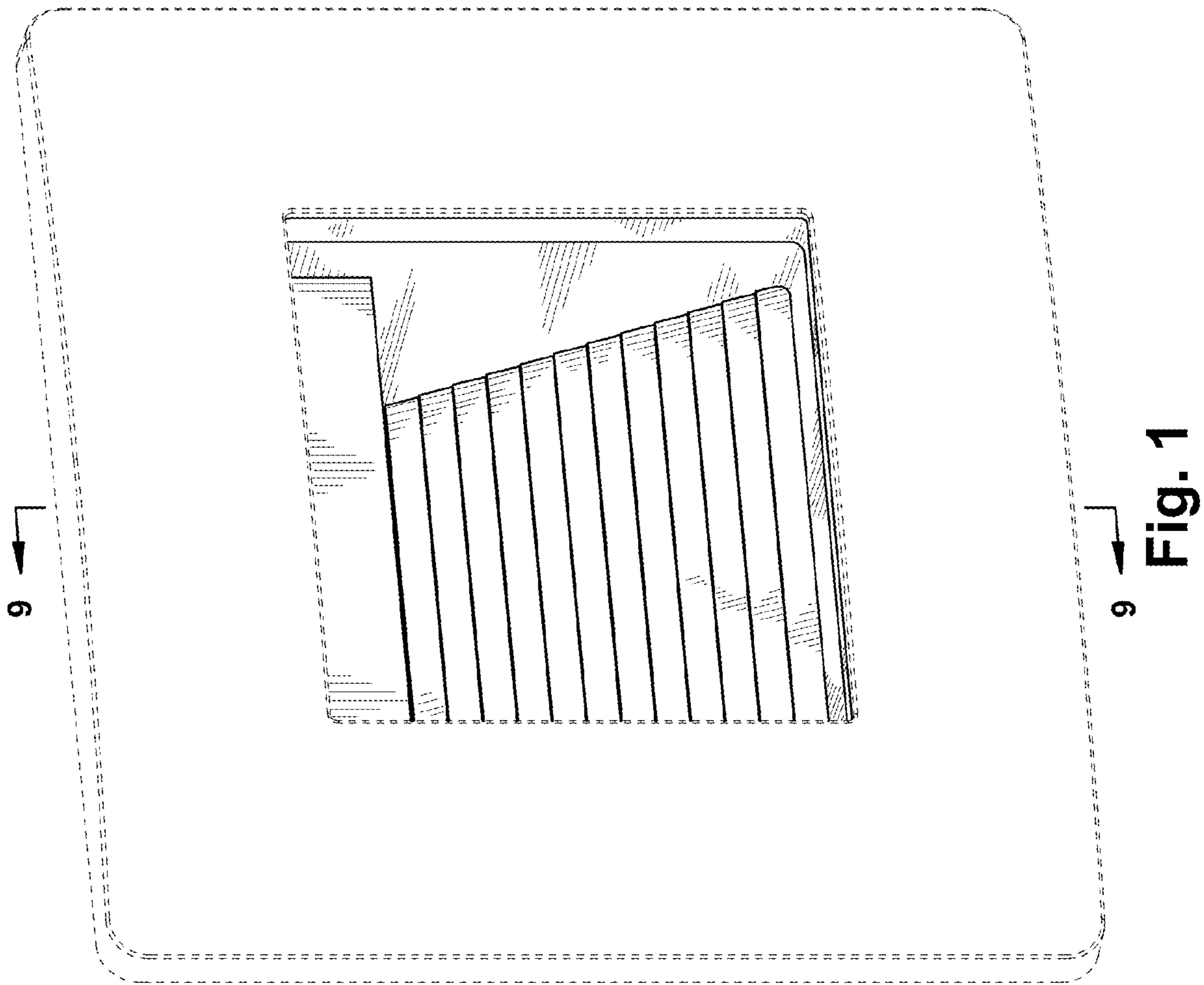
(56)

**References Cited**

U.S. PATENT DOCUMENTS

D602,624	S	10/2009	Kawaguchi et al.	
D606,228	S *	12/2009	Ward .....	D26/74
D611,641	S *	3/2010	Dworschak .....	D26/74
D611,863	S	3/2010	Kato	
D612,975	S	3/2010	Guercio et al.	
D618,850	S	6/2010	Snagel	
D636,525	S *	4/2011	Chan .....	D26/118
8,025,422	B1	9/2011	Huang et al.	
D646,829	S	10/2011	Pan	
D646,831	S *	10/2011	Pan .....	D26/74
D647,240	S	10/2011	Beghelli	
D652,559	S	1/2012	Beghelli	
D711,036	S *	8/2014	Salomon .....	D26/74
D718,487	S	11/2014	Hulse	
D736,987	S	8/2015	Wiedemer et al.	
D757,984	S	5/2016	Breedlove, Sr.	
D759,293	S *	6/2016	Salomon .....	D26/138
D770,661	S	11/2016	Huang et al.	
9,482,395	B2	11/2016	Ellingson et al.	
D789,587	S *	6/2017	Salomon .....	D26/74
D791,995	S *	7/2017	Wiedemer .....	D26/74
D826,456	S *	8/2018	Sonneman .....	D26/85
D831,258	S *	10/2018	Wiedemer .....	D26/85
2008/0219008	A1	9/2008	Schaefer et al.	
2010/0238658	A1	9/2010	Xiang et al.	
2012/0240976	A1	9/2012	Kuo	
2015/0285462	A1	10/2015	Shimoda	

\* cited by examiner



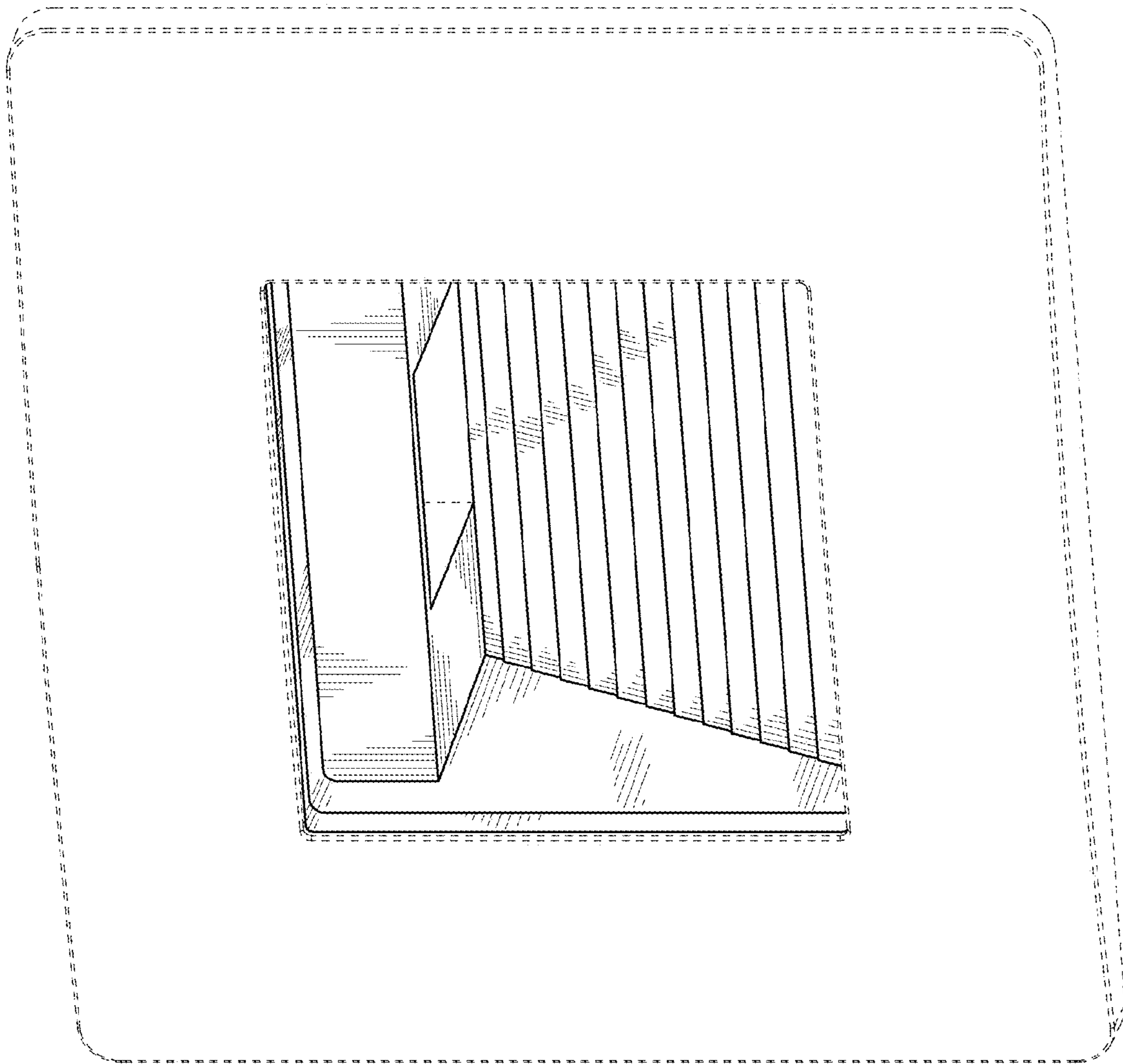


Fig. 2

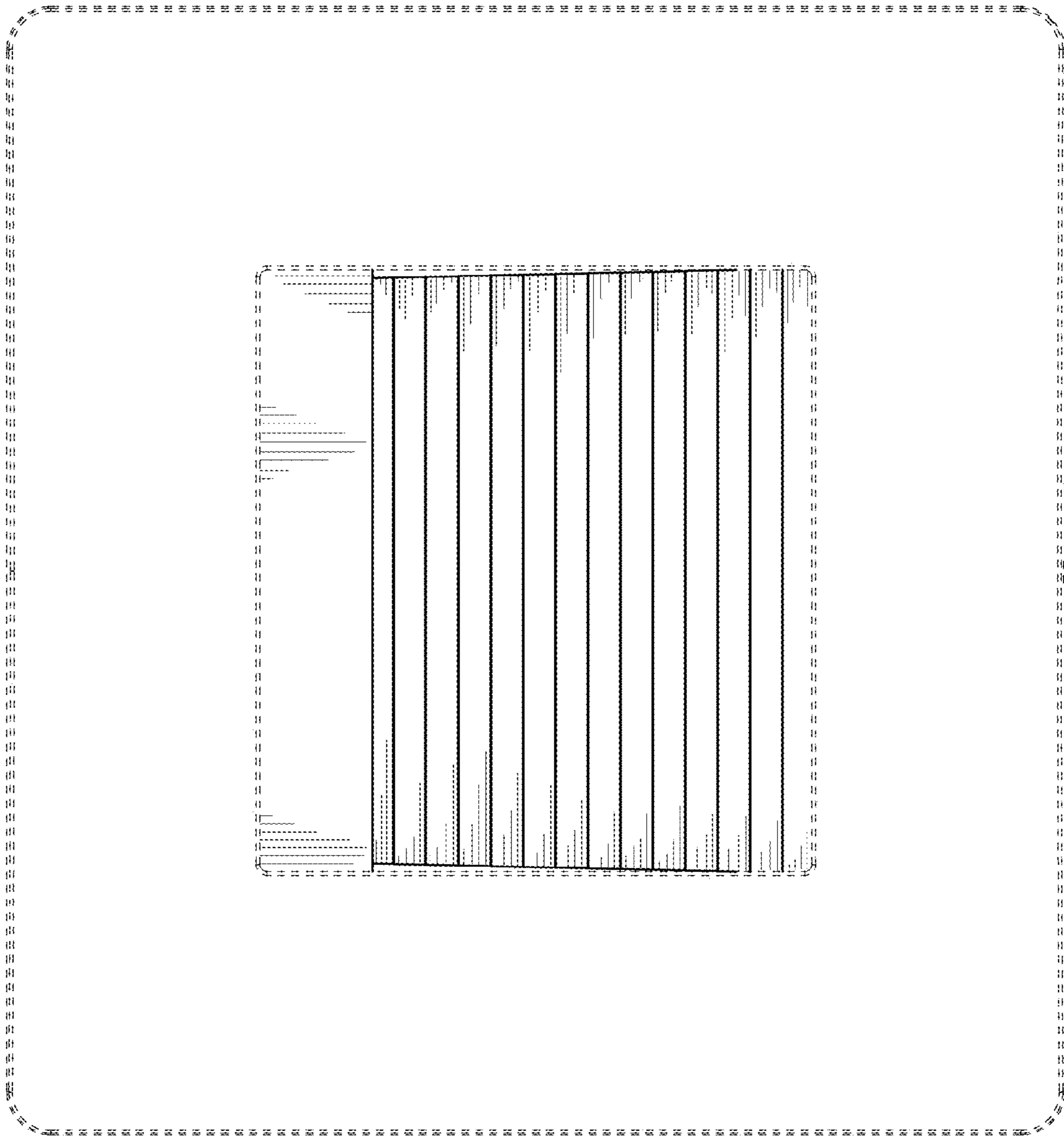
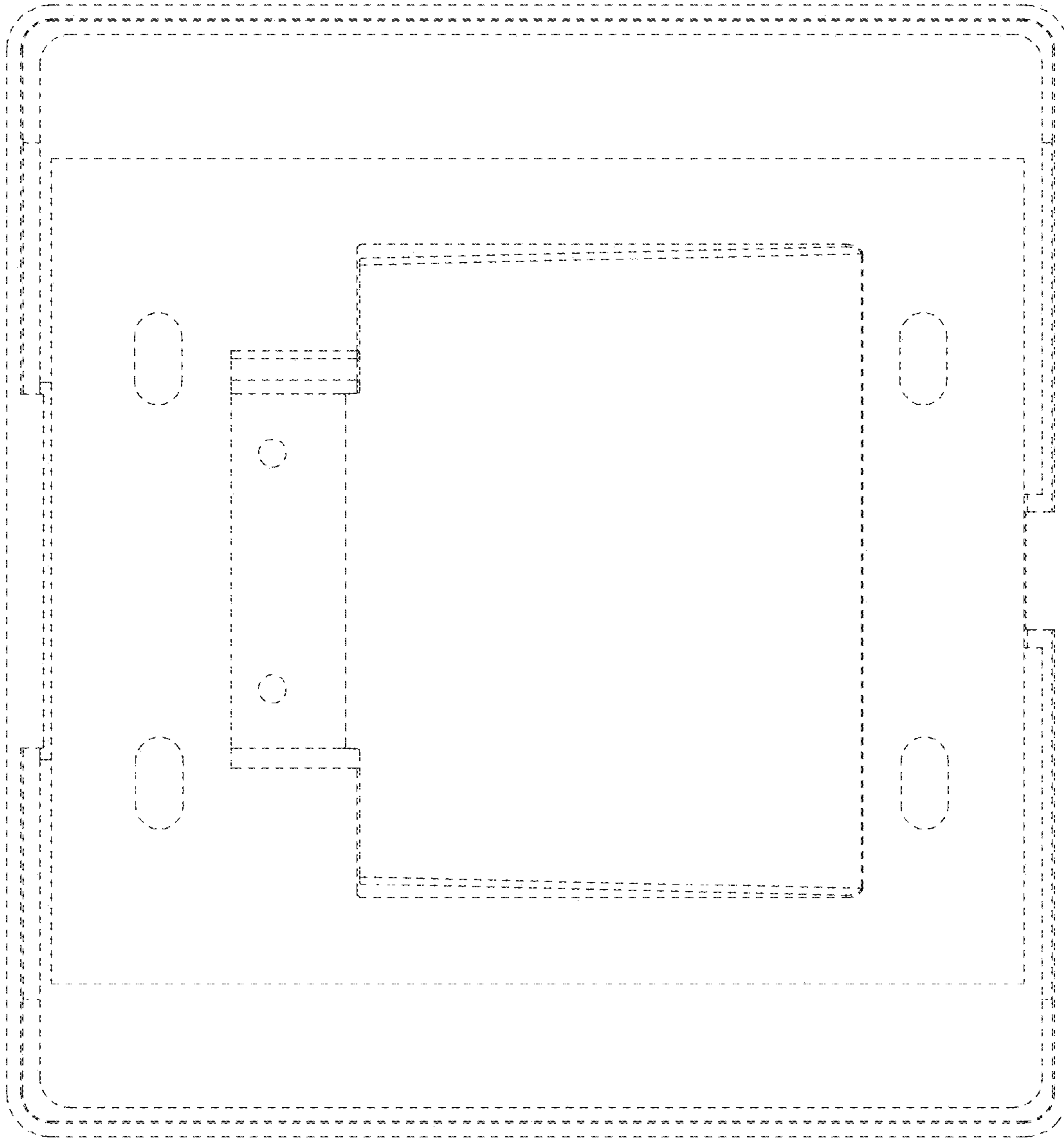
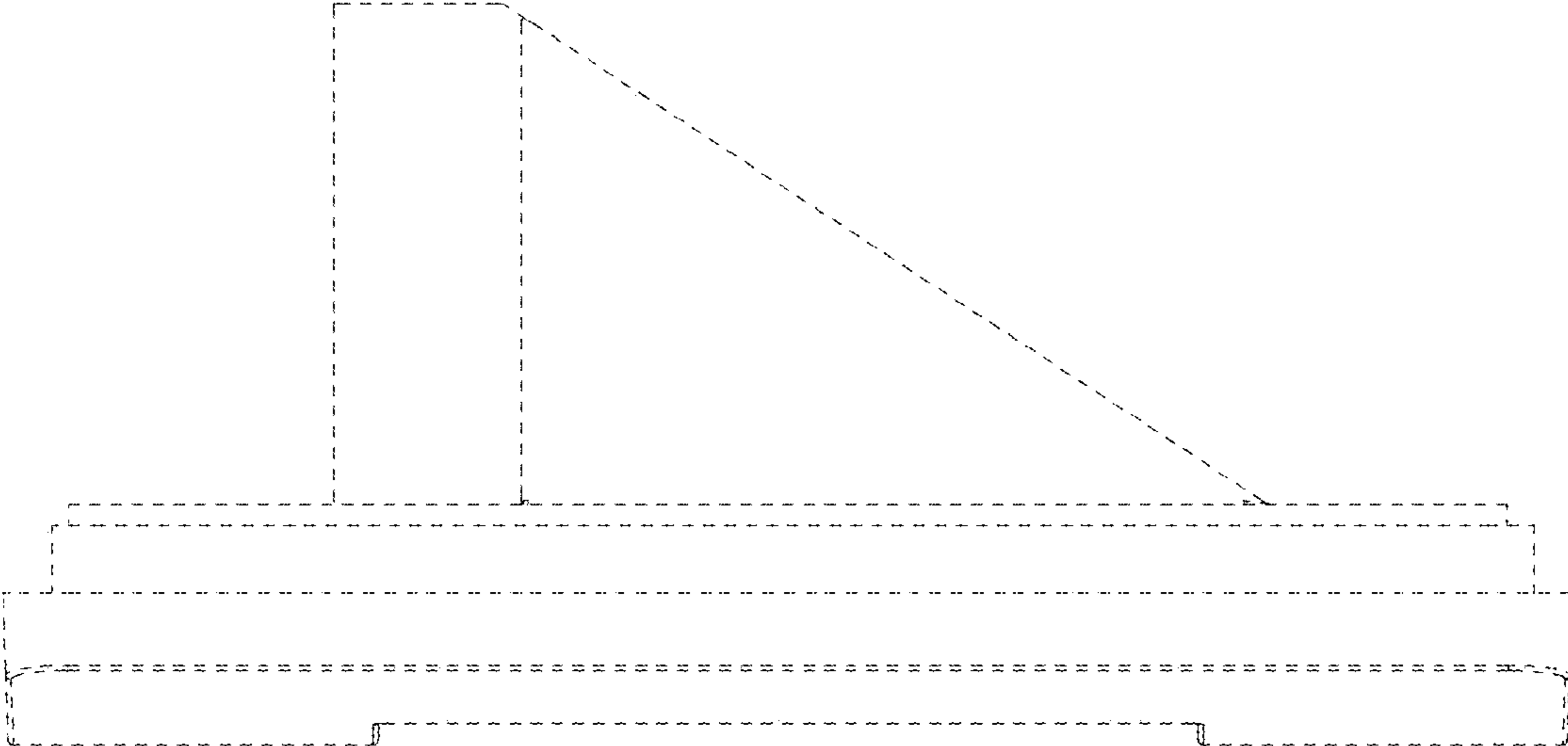


Fig. 3

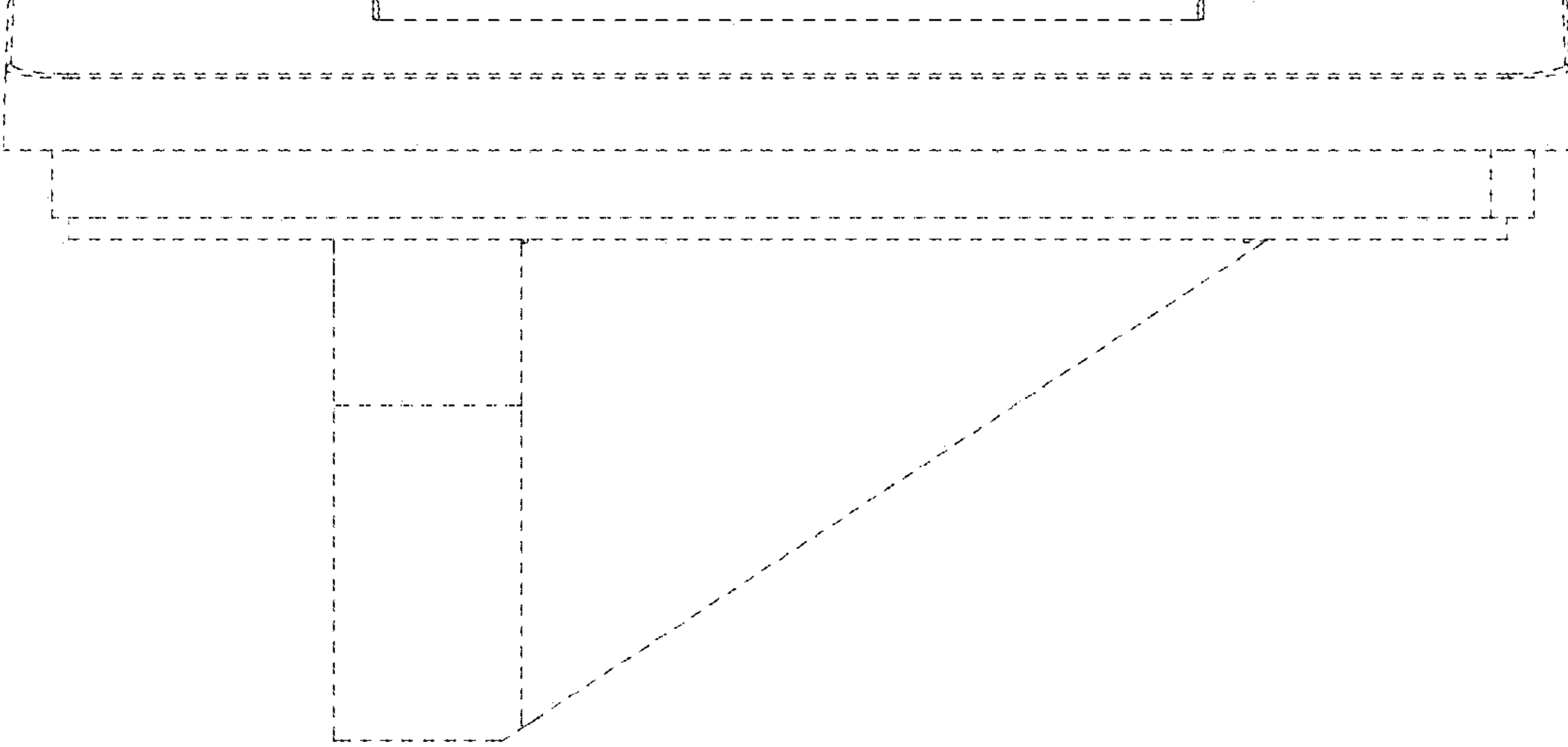




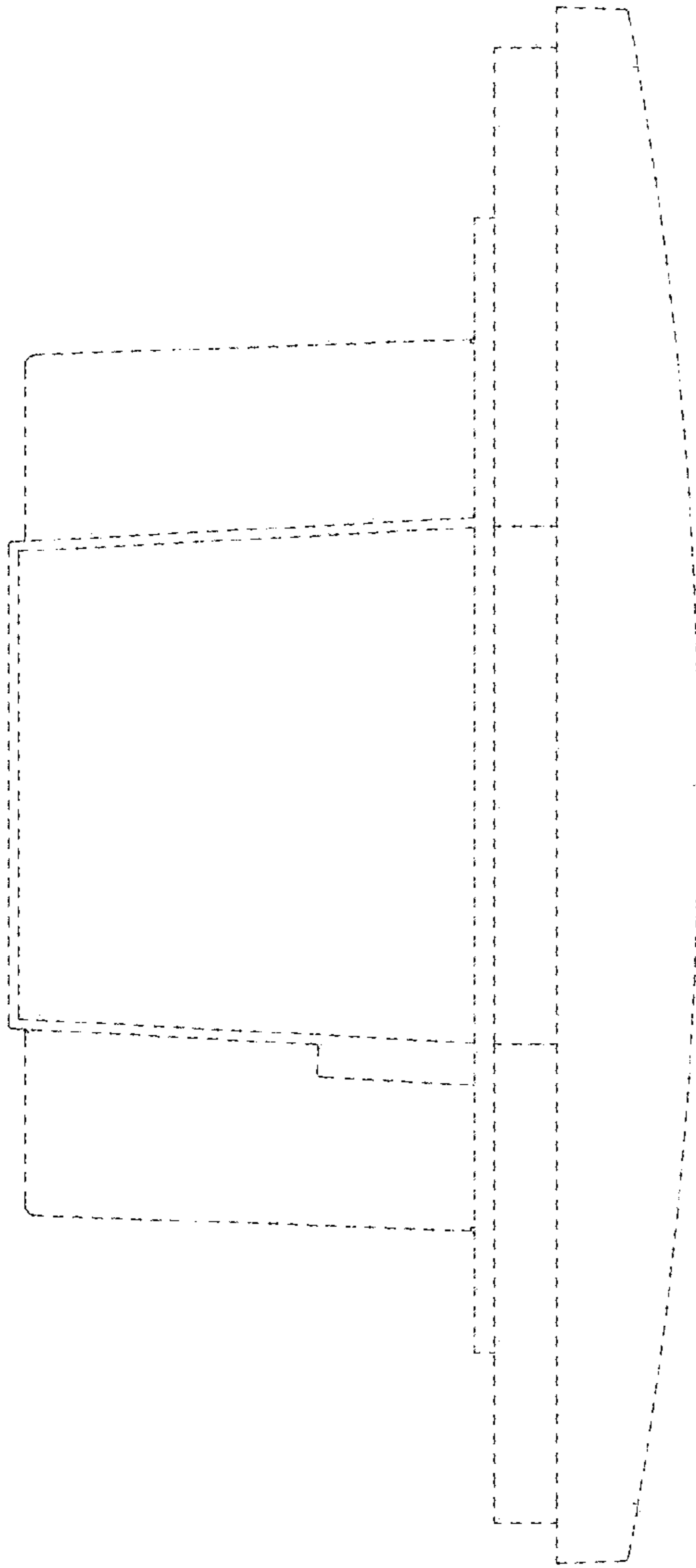
**Fig. 4**



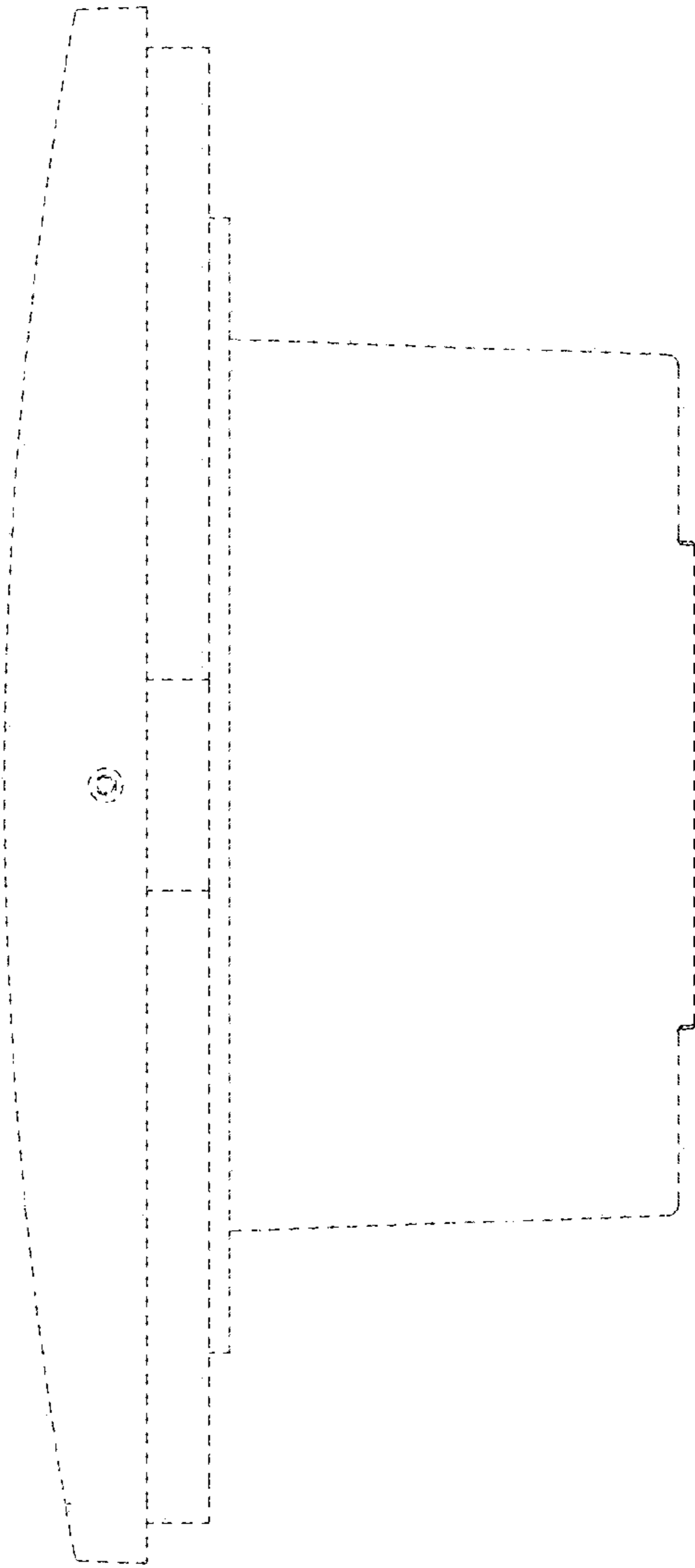
**Fig. 6**



**Fig. 5**



**Fig. 7**



**Fig. 8**



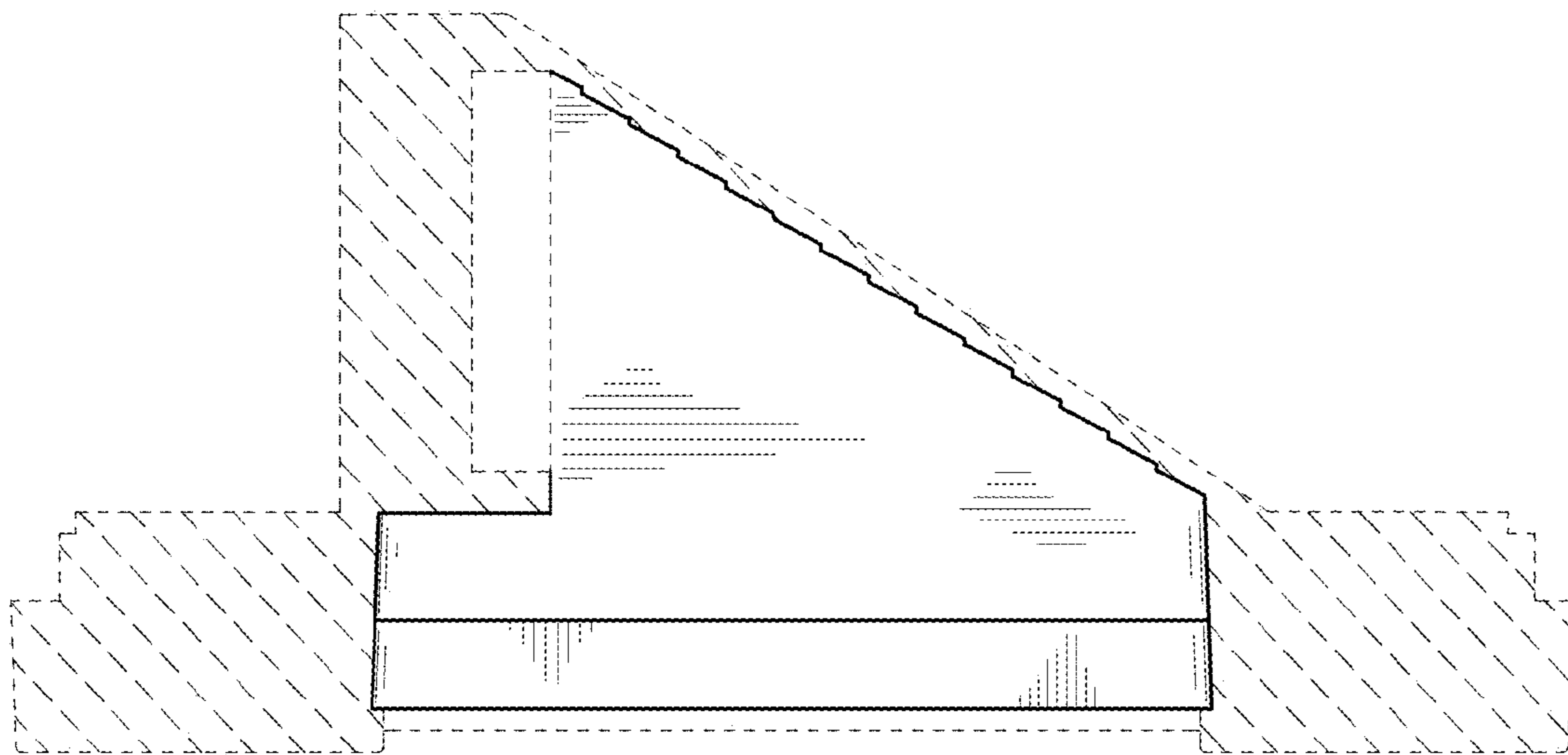


Fig. 9