



US00D873465S

(12) **United States Design Patent**
Tsukii

(10) **Patent No.:** **US D873,465 S**
(45) **Date of Patent:** **** Jan. 21, 2020**

(54) **CYLINDER SPOT LIGHT WITH FORK AND STRUT ASSEMBLY**

(71) Applicant: **Toshikazu Tsukii**, Oro Valley, AZ (US)

(72) Inventor: **Toshikazu Tsukii**, Oro Valley, AZ (US)

(**) Term: **15 Years**

(21) Appl. No.: **29/691,326**

(22) Filed: **May 15, 2019**

(51) **LOC (12) Cl.** **26-03**

(52) **U.S. Cl.**
USPC **D26/65**

(58) **Field of Classification Search**
USPC D26/1, 24, 61, 63, 65, 85, 92
CPC F21V 21/14; F21V 15/01; F21V 14/02;
F21V 21/30; F21V 21/00; F21V 14/00;
F21S 8/00; F21S 8/003; F21S 8/043;
F21Y 2105/001

See application file for complete search history.

(56) **References Cited**

U.S. PATENT DOCUMENTS

D271,043 S * 10/1983 Parker D26/63
D328,148 S * 7/1992 Waldmann D26/63
D613,440 S * 4/2010 Lindholm D26/63

D728,840 S * 5/2015 Eustace D26/63
D750,826 S * 3/2016 Jonischkeit D26/61
D783,874 S * 4/2017 Moller D26/63
D815,327 S * 4/2018 Moller D26/63
D824,561 S * 7/2018 Waldmann D26/63
D853,007 S * 7/2019 Eustace D26/65

* cited by examiner

Primary Examiner — Brian N. Vinson

(74) *Attorney, Agent, or Firm* — Eugene Vamos

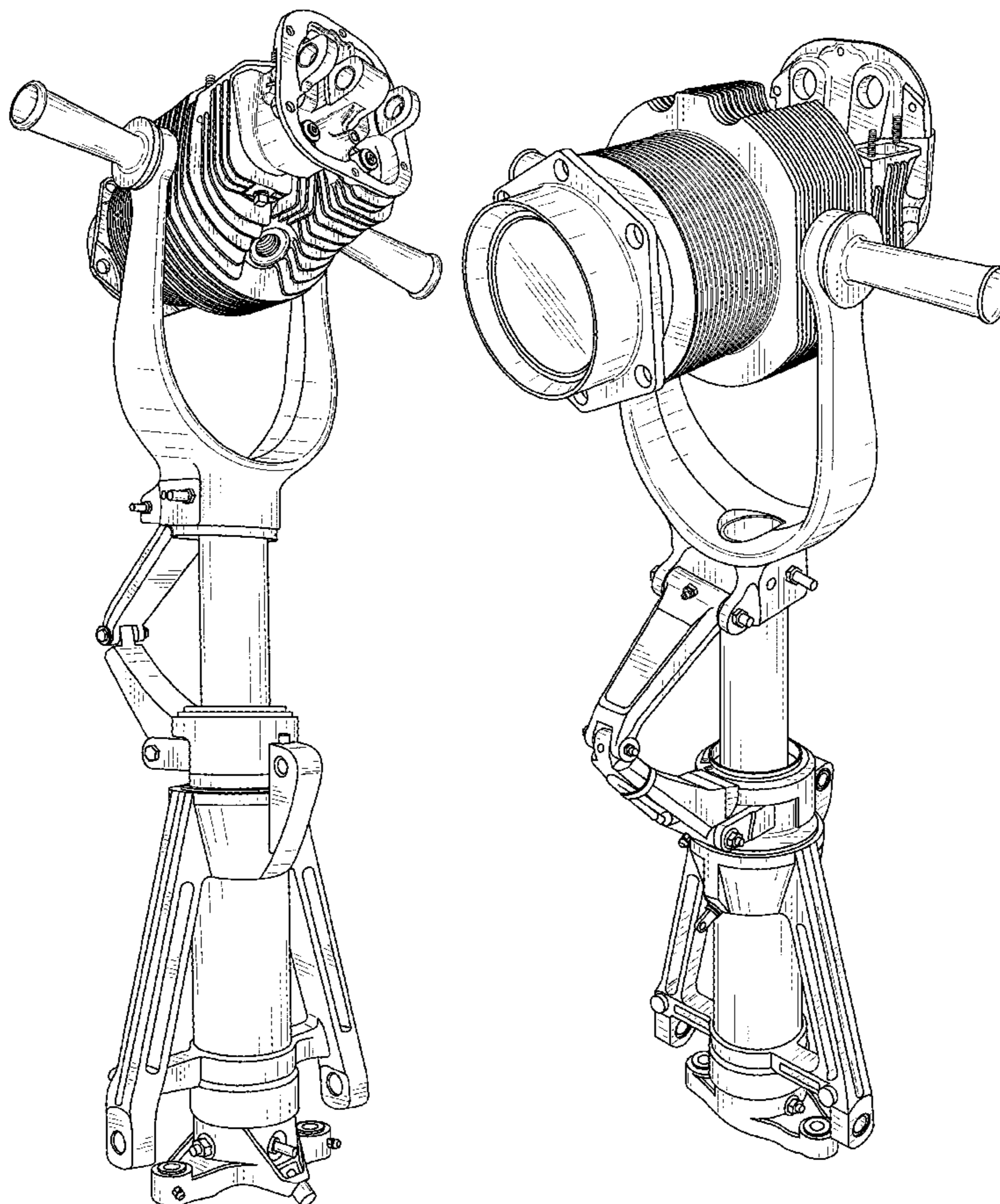
(57) **CLAIM**

The ornamental design for a cylinder spot light with fork and strut assembly, as shown and described.

DESCRIPTION

FIG. 1 is a front top left perspective view of a cylinder spot light with fork and strut assembly, showing my new design; FIG. 2 is a front elevation view thereof; FIG. 3 is a back elevation view thereof; FIG. 4 is a right side elevation view thereof; FIG. 5 is a left side elevation view thereof; FIG. 6 is a top plan view thereof; FIG. 7 is a bottom plan view thereof; FIG. 8 is a back top right perspective view thereof; FIG. 9 is a back top left perspective view thereof; FIG. 10 is a back bottom right perspective view thereof; FIG. 11 is a back bottom left perspective view thereof; FIG. 12 is a back top perspective view thereof; and, FIG. 13 is a front top right perspective view thereof.

1 Claim, 12 Drawing Sheets



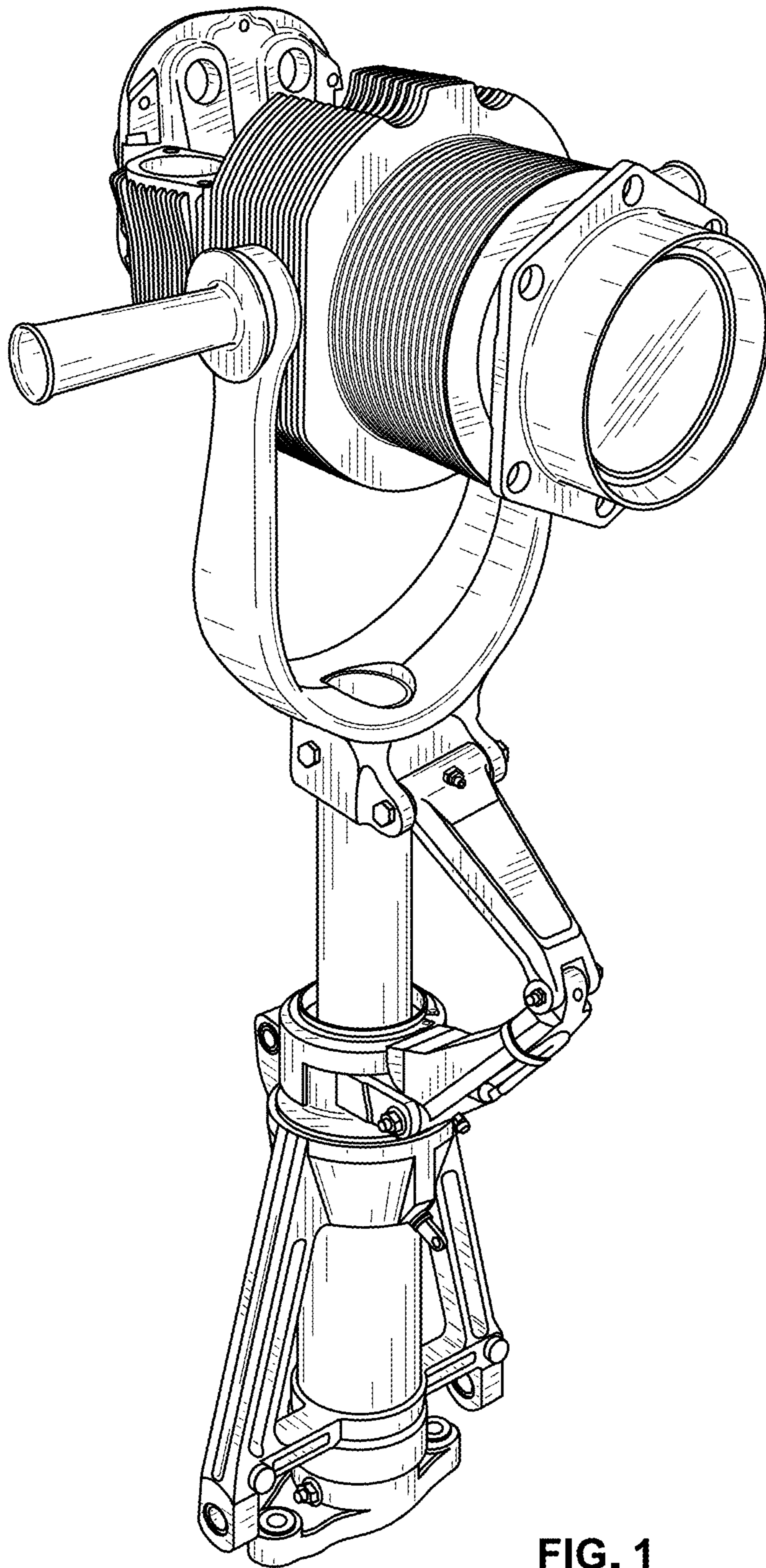


FIG. 1

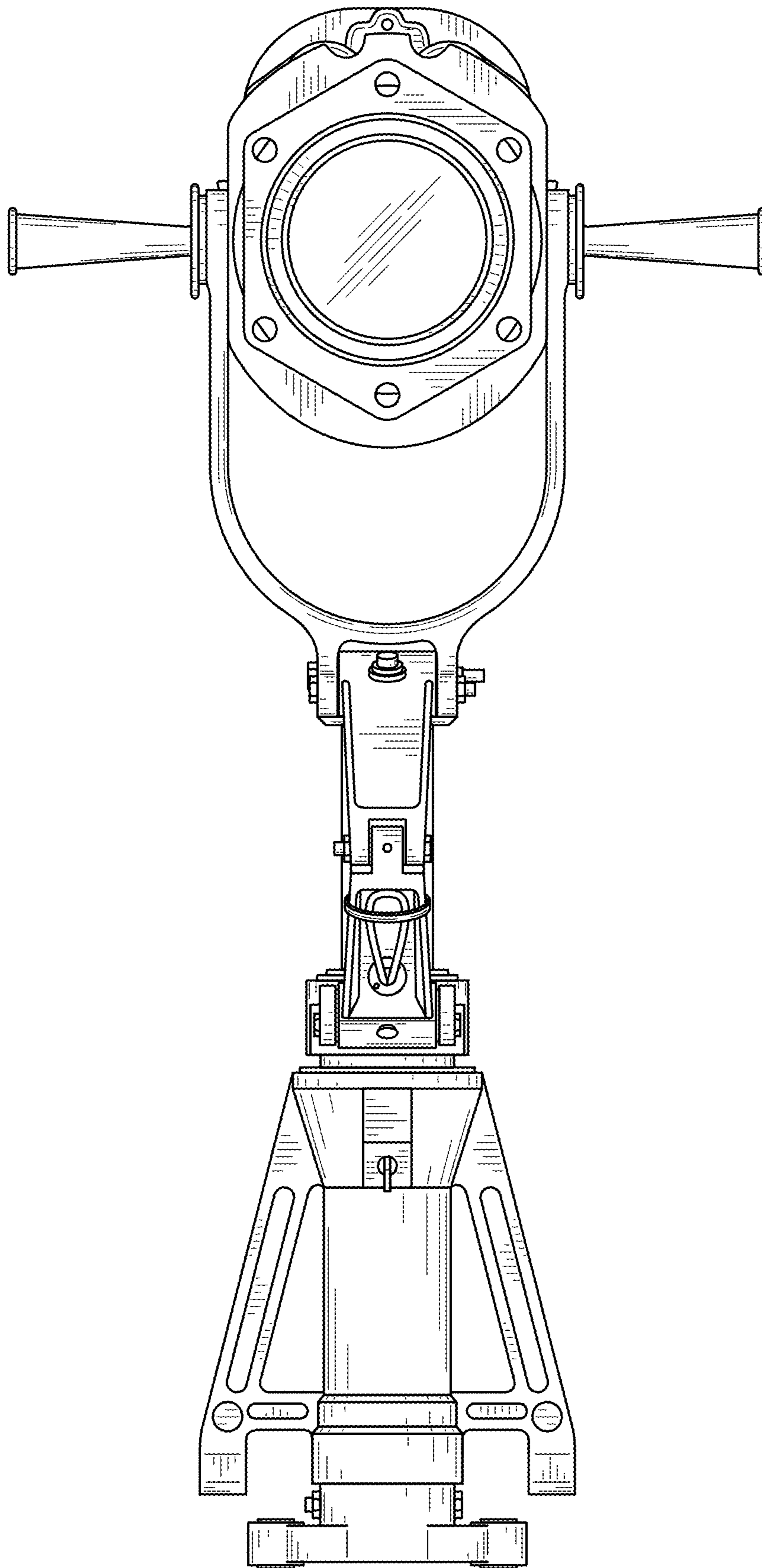


FIG. 2

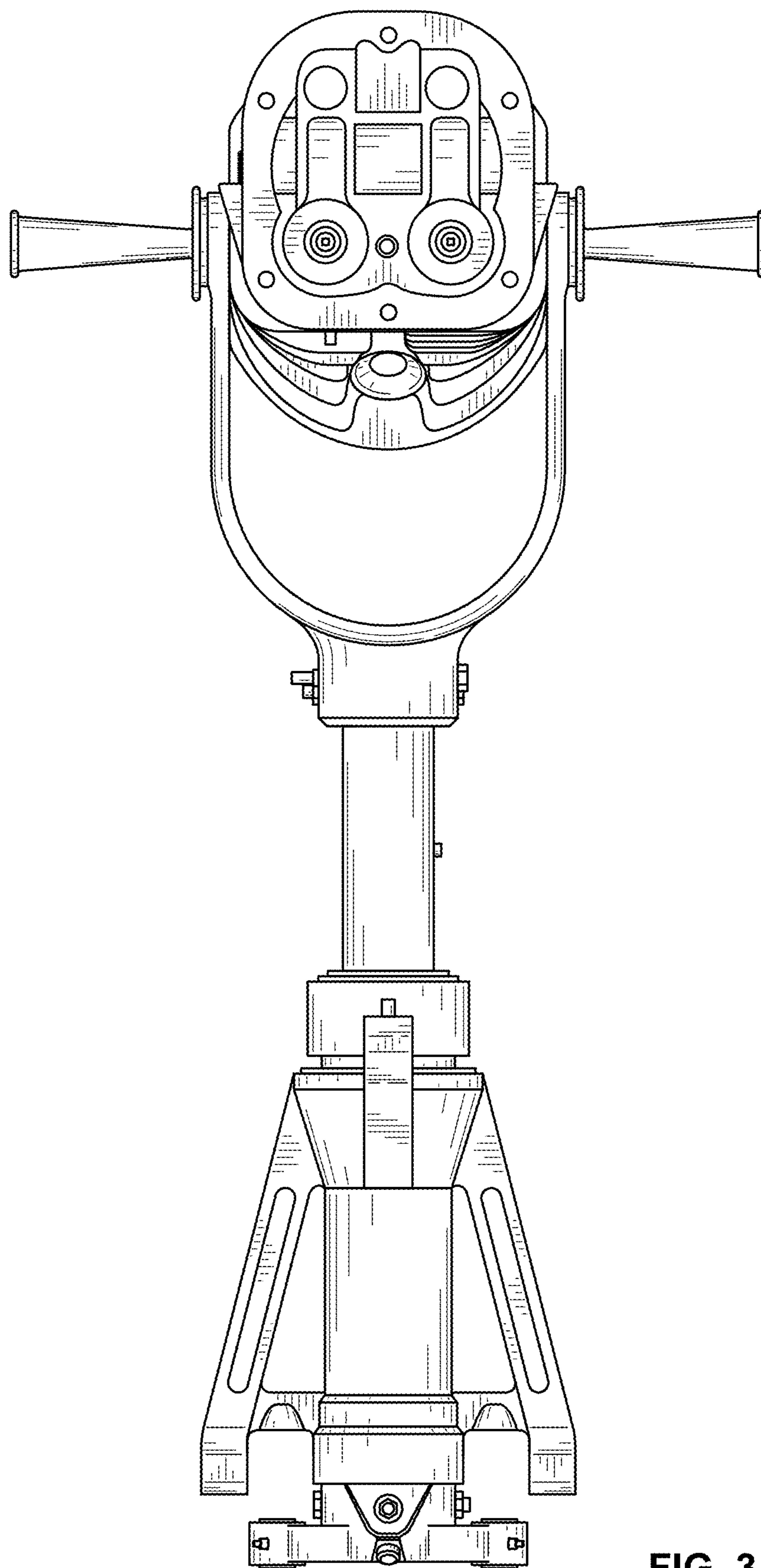


FIG. 3

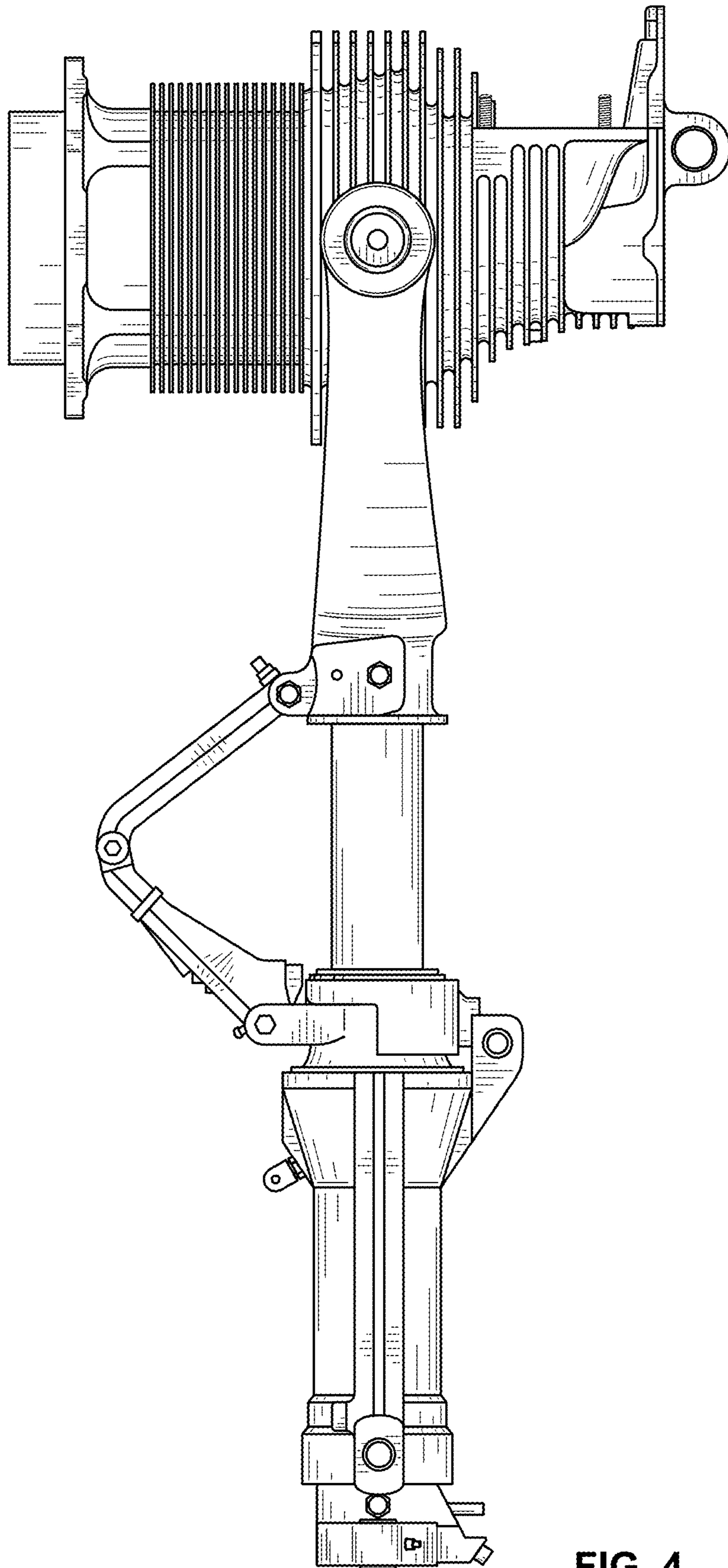


FIG. 4

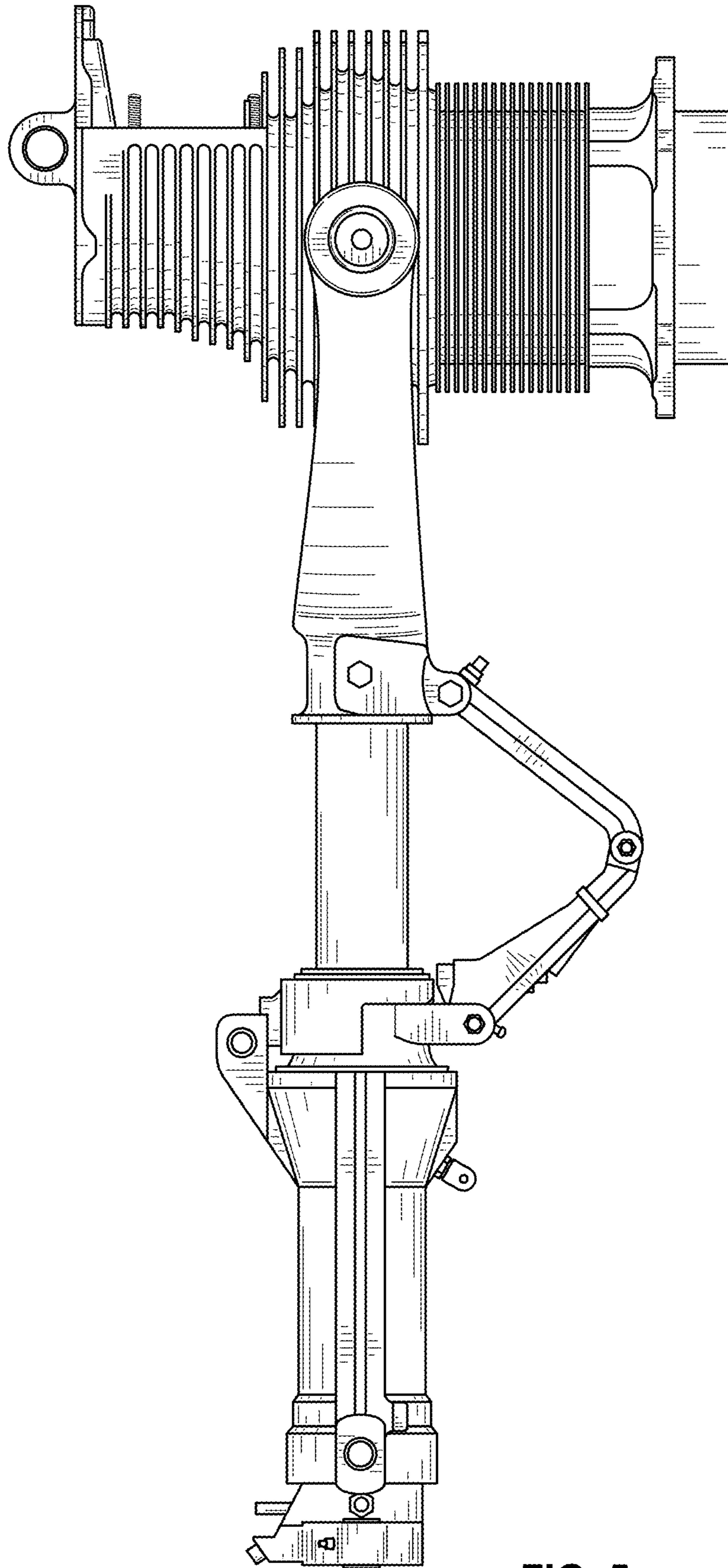


FIG. 5

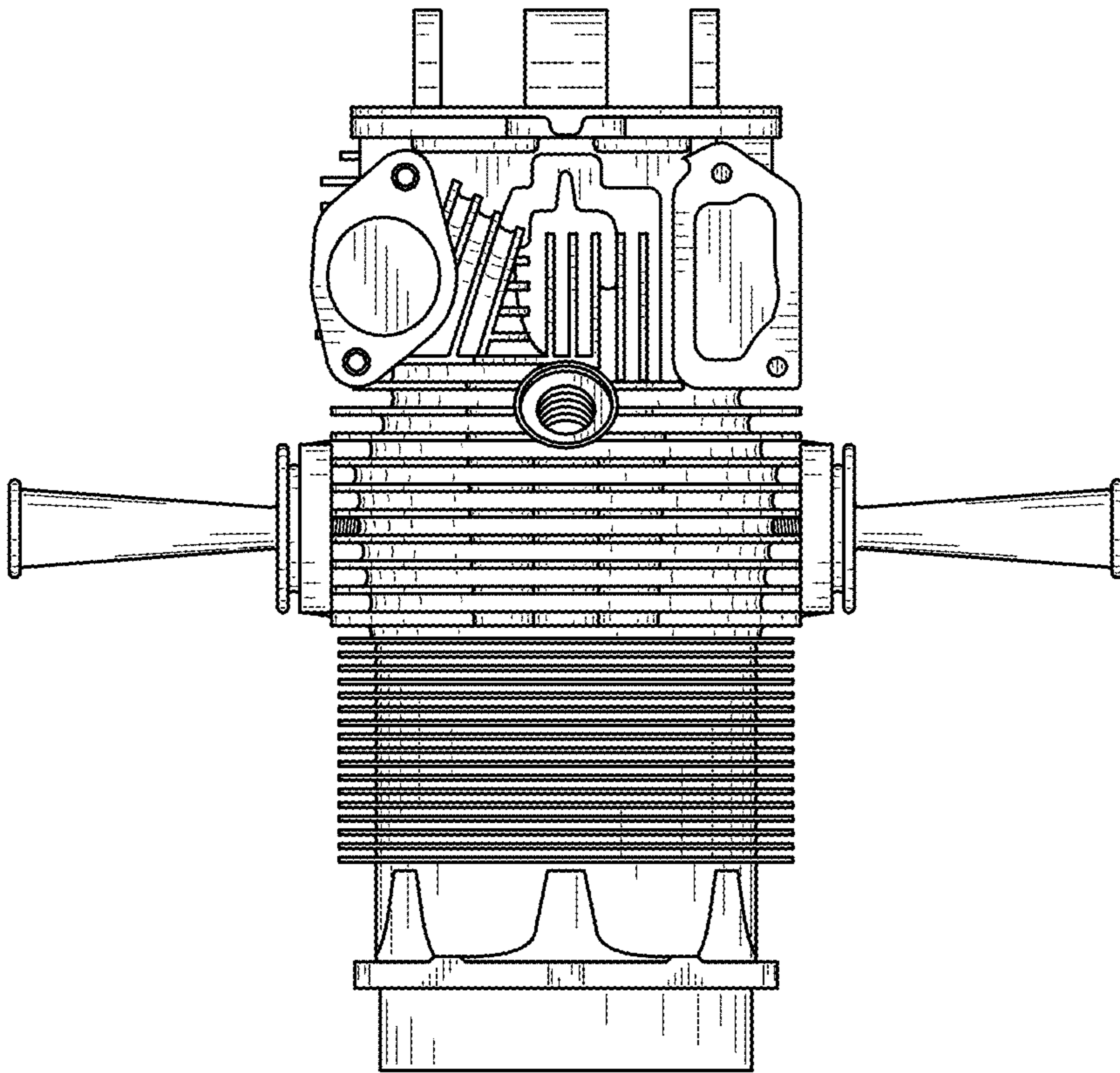


FIG. 6

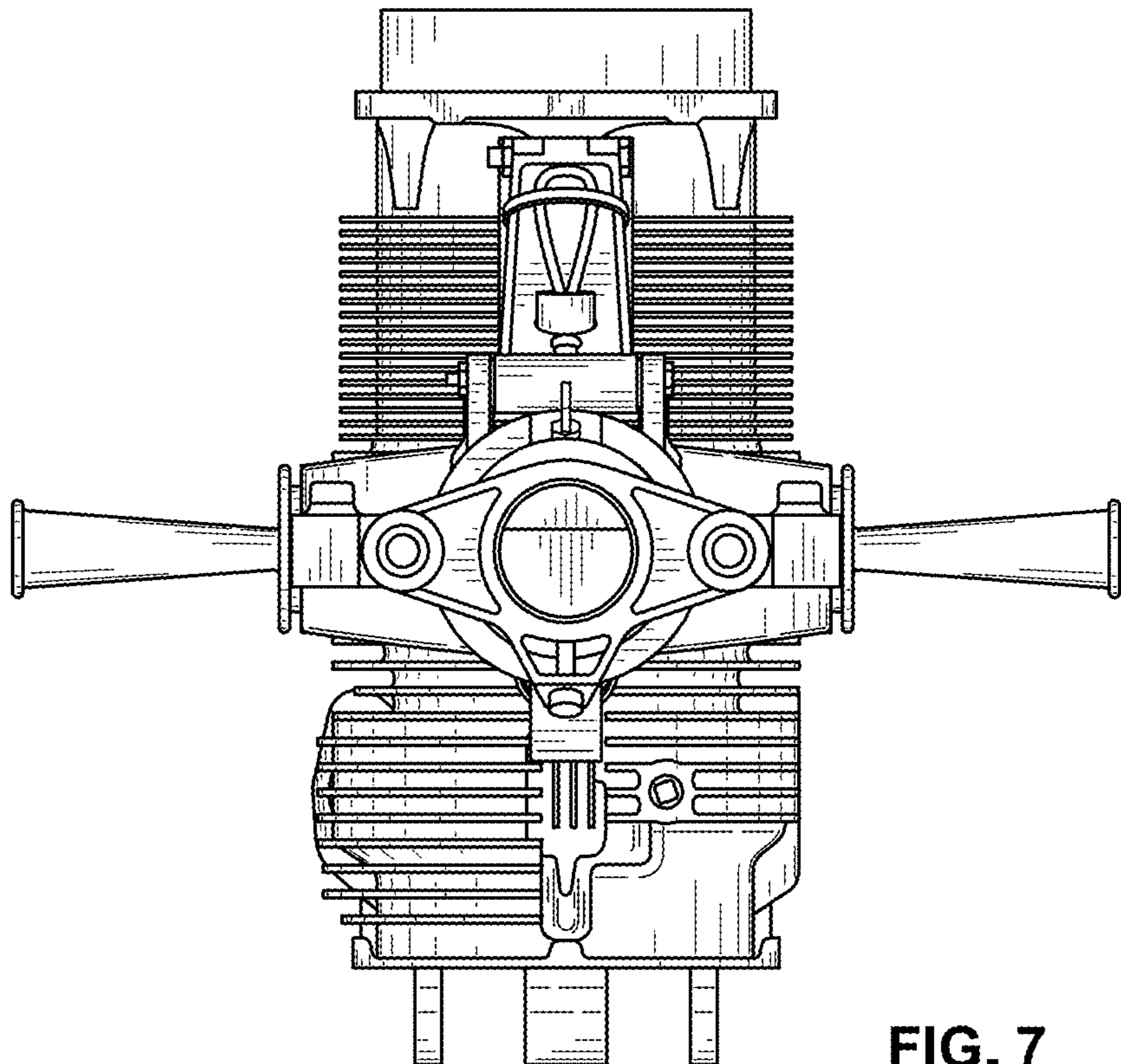


FIG. 7

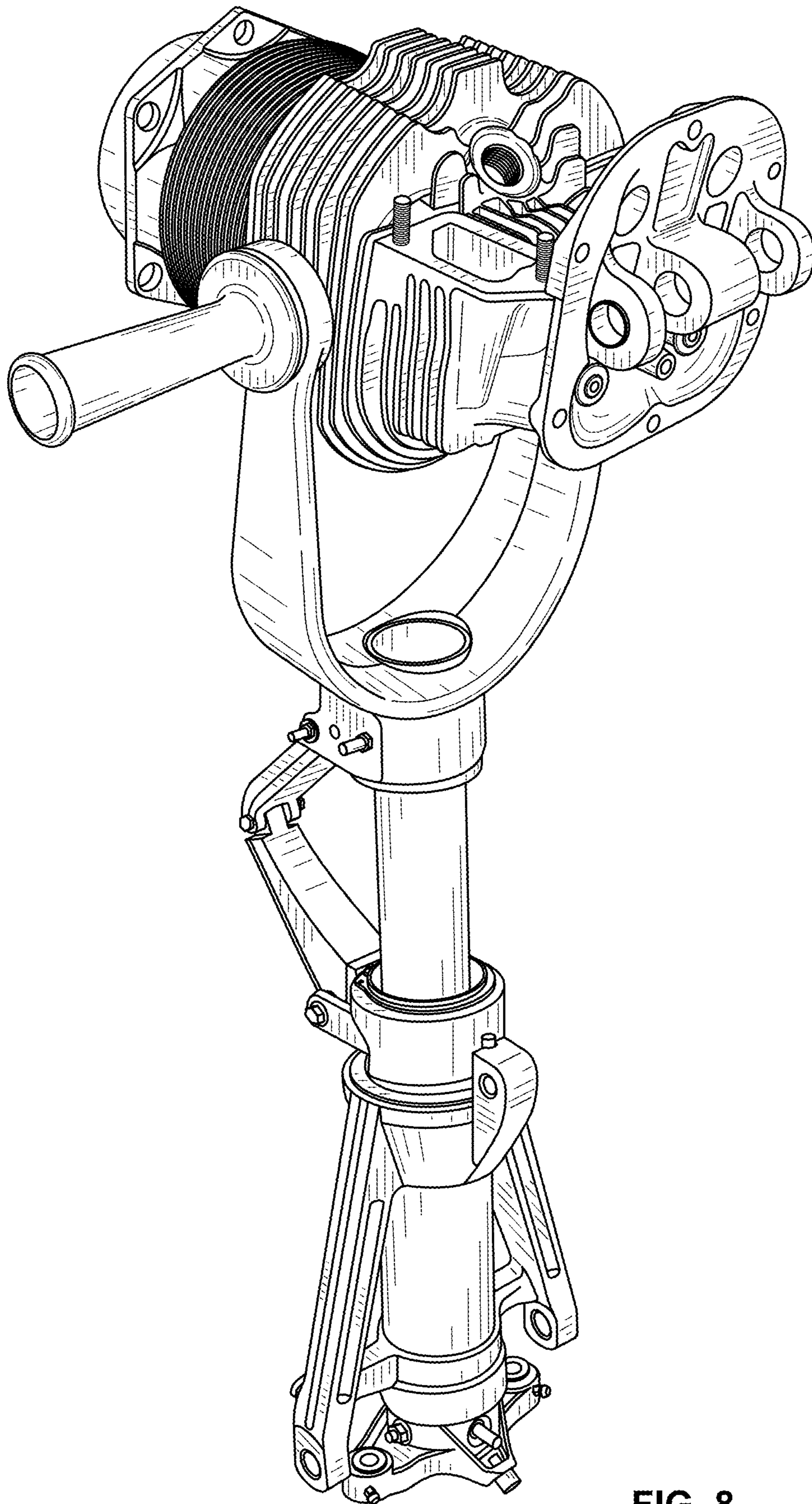


FIG. 8

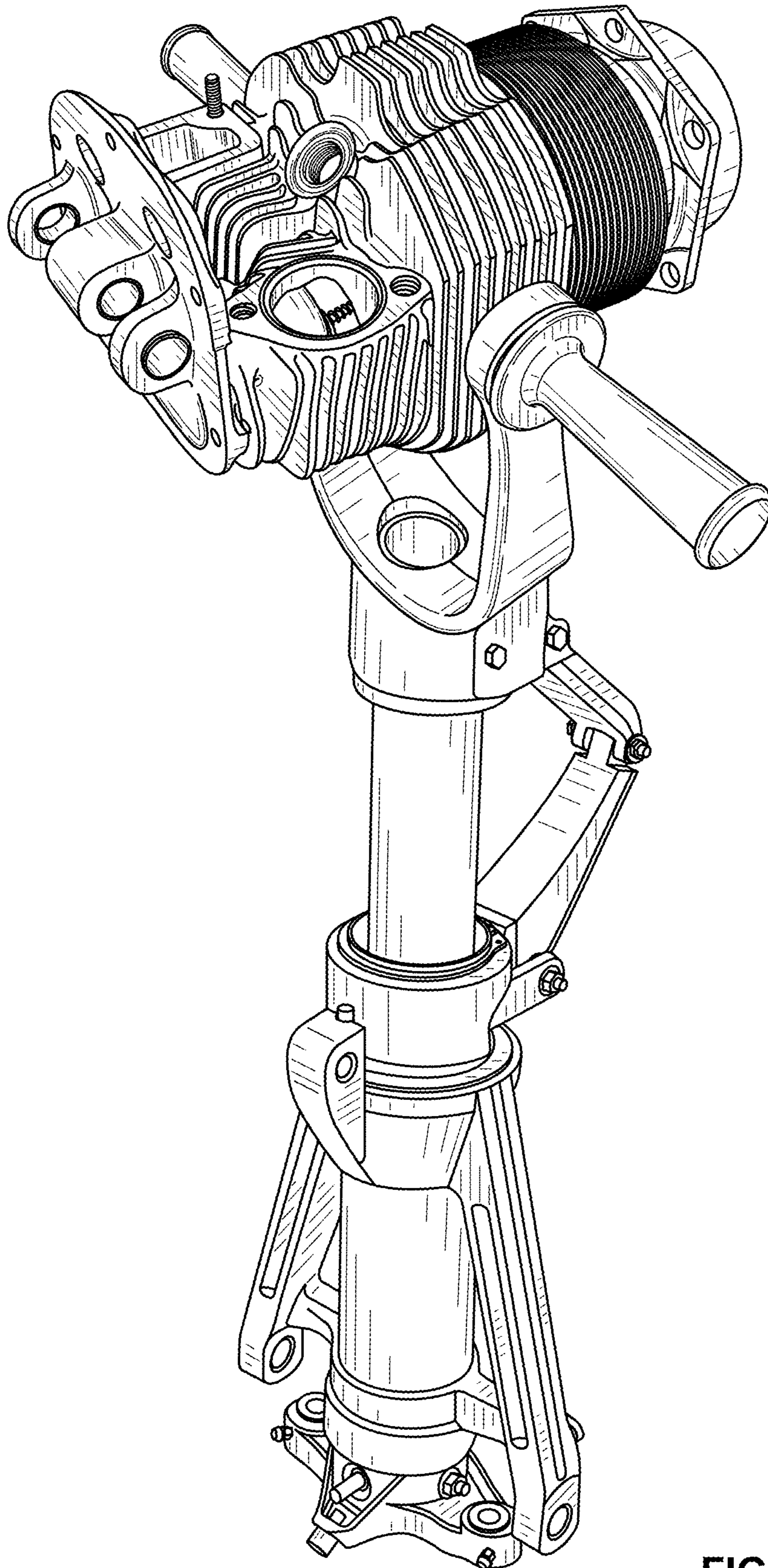


FIG. 9

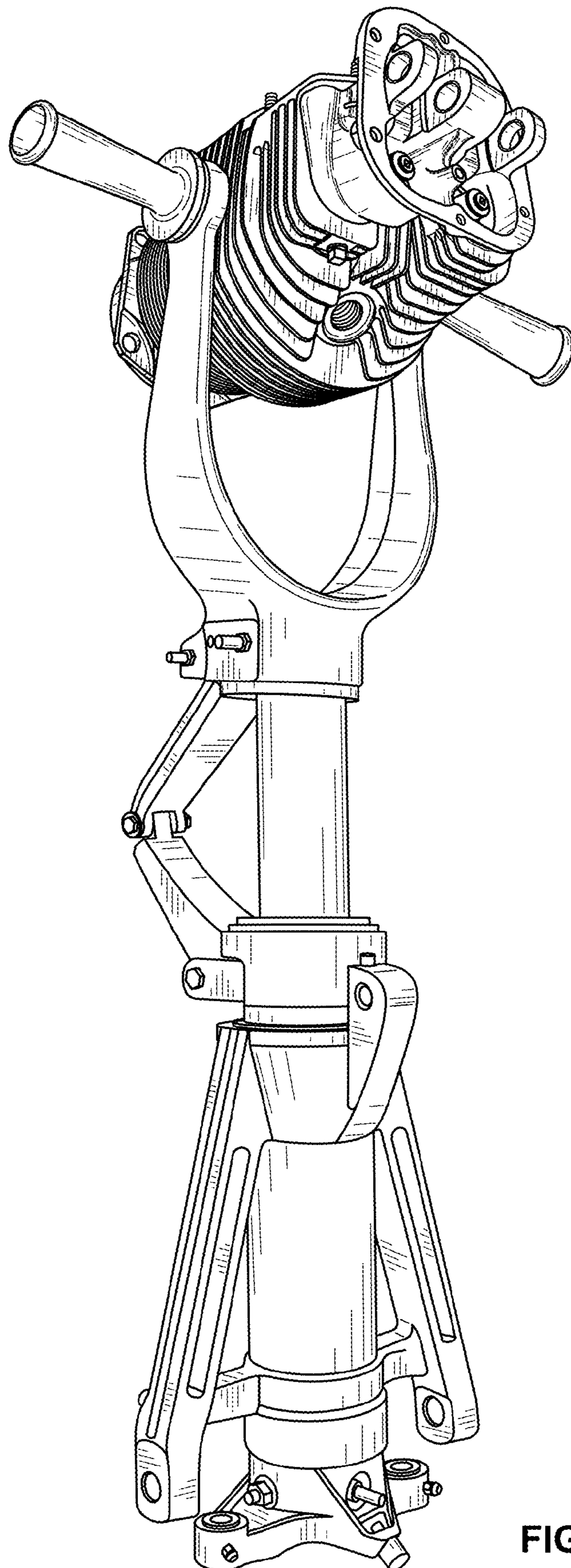


FIG. 10

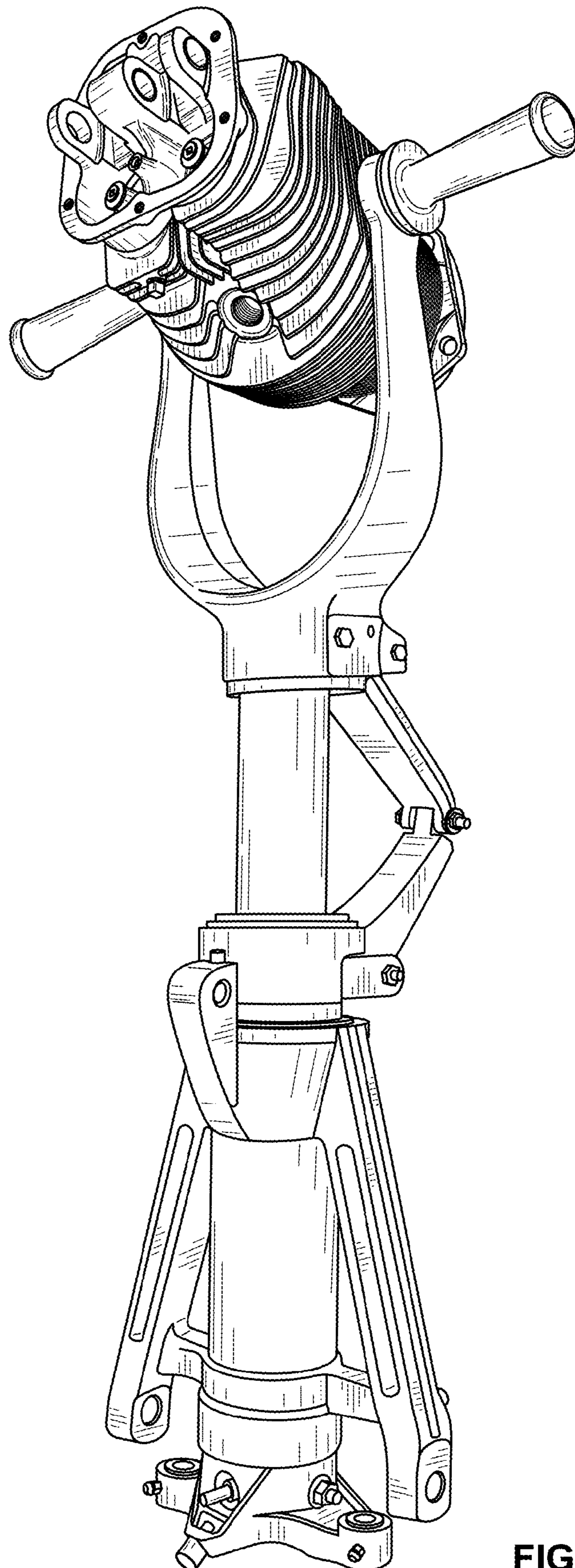


FIG. 11

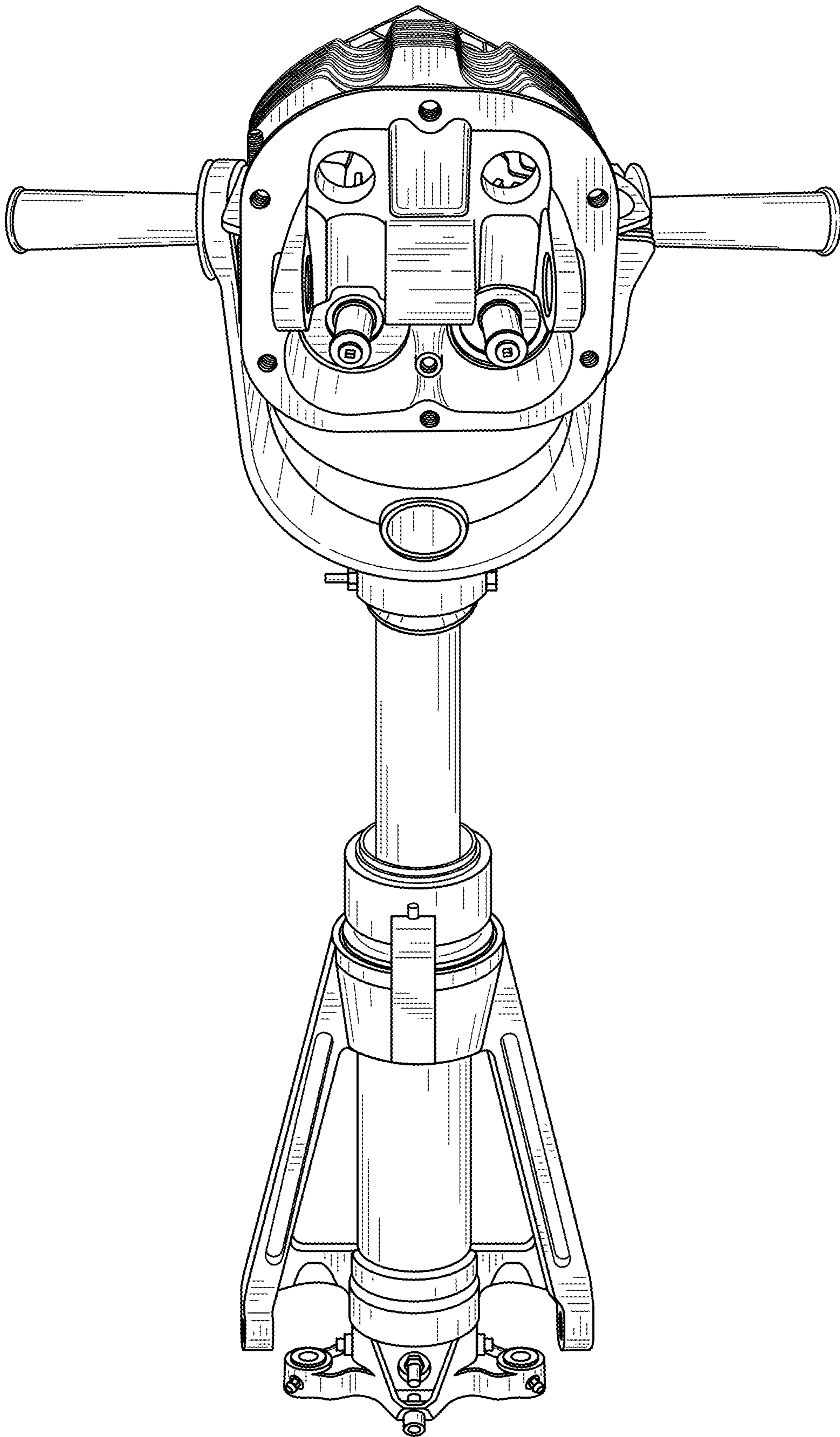


FIG. 12

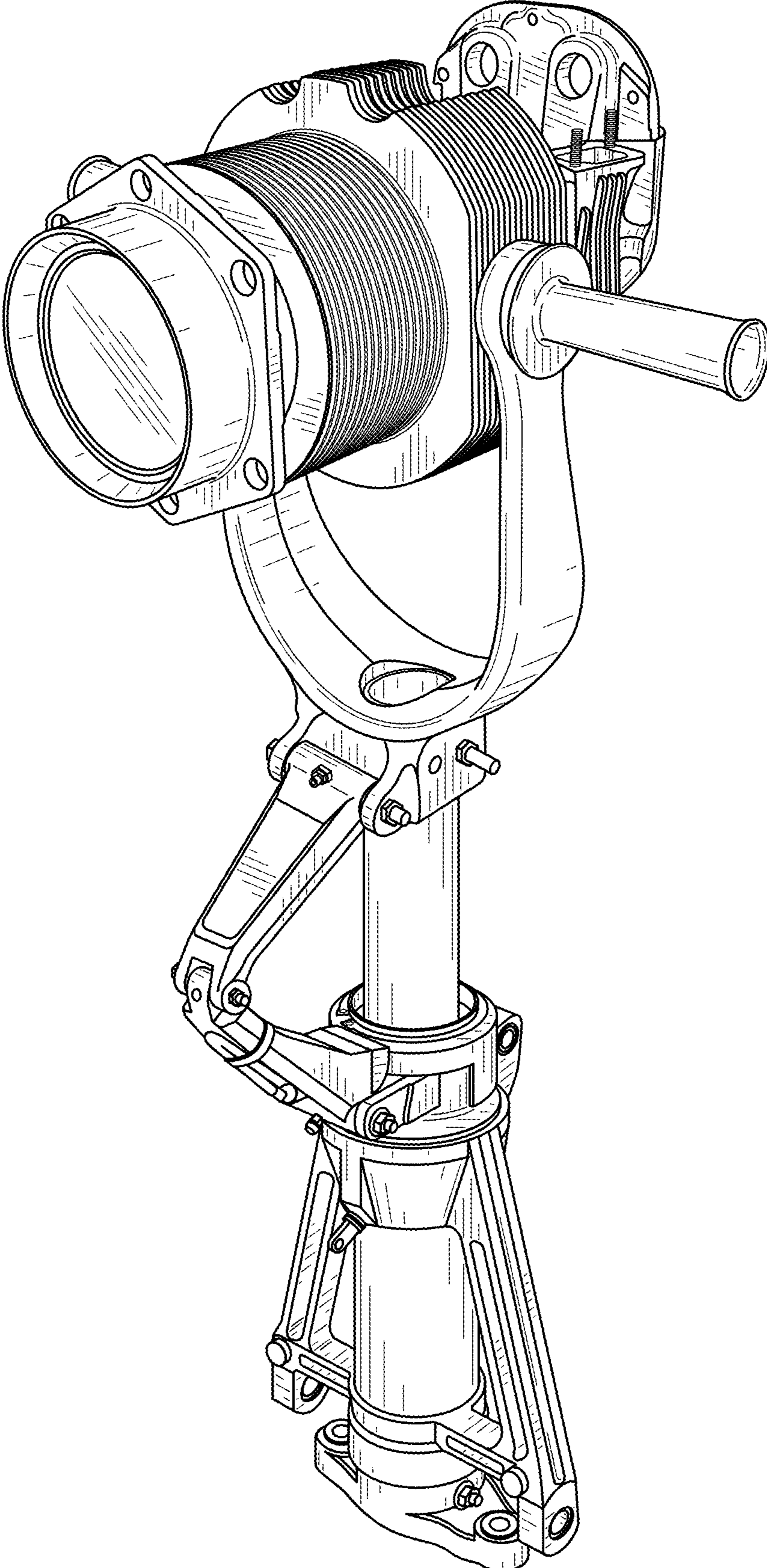


FIG. 13