



US00D873462S

(12) **United States Design Patent** (10) **Patent No.:** **US D873,462 S**
Gordin et al. (45) **Date of Patent:** **** Jan. 21, 2020**

(54) **ADJUSTABLE LIGHTING FIXTURE WITH WRAPAROUND VISOR**

D447,590 S * 9/2001 Raouf D26/71
6,467,928 B2 * 10/2002 Crelin F21S 8/033
362/147

(71) Applicant: **Musco Corporation**, Oskaloosa, IA (US)

D472,339 S * 3/2003 Russello D26/63
D695,949 S 12/2013 Gordin et al.
D695,952 S 12/2013 Gordin et al.
D734,532 S 7/2015 Gordin et al.
D743,602 S 11/2015 Gordin et al.

(72) Inventors: **Myron Gordin**, Oskaloosa, IA (US);
Joel D. DeBoef, New Sharon, IA (US);
Steven T. Heaton, Oskaloosa, IA (US);
Kenneth G. Lewis, Jr., New Sharon, IA (US);
Chris P. Lickiss, Newton, IA (US);
Luke C. McKee, Oskaloosa, IA (US)

(Continued)

(73) Assignee: **Musco Corporation**, Oskaloosa, IA (US)

OTHER PUBLICATIONS

Gordin, Myron et al., unpublished Pending Design U.S. Appl. No. 29/637,422, Adjustable Lighting Fixture With Wraparound Visor, filed Feb. 19, 2018.

(Continued)

(**) Term: **15 Years**

Primary Examiner — Wan Laymon
Assistant Examiner — Clint A Samuel

(21) Appl. No.: **29/663,921**

(74) *Attorney, Agent, or Firm* — Jessica R. Boer

(22) Filed: **Sep. 20, 2018**

(51) **LOC (12) Cl.** **26-05**

(57) **CLAIM**

(52) **U.S. Cl.**

The ornamental design for an adjustable lighting fixture with wraparound visor, as shown and described.

USPC **D26/63**

(58) **Field of Classification Search**

DESCRIPTION

USPC D26/24, 28, 61–68, 72, 77, 85, 87, 92,
D26/118–120

CPC .. F21S 8/003; F21S 8/085; F21S 8/086; F21S 8/088;
F21V 15/00; F21V 15/01; F21V 21/22; F21V 21/30;
F21V 21/116; F21V 11/04; F21V 11/14; F21W 2131/10;
F21W 2131/20; F21W 2131/40; F21W 2131/101;
F21W 2131/103; F21W 2131/105; F21W 2131/107;
F21W 2131/208; F21W 2131/402; F21W 2131/406;
F21W 2131/407; F21W 2131/1005

See application file for complete search history.

FIG. 1 is a top front perspective view of the claimed design;
FIG. 2 is a bottom front perspective view of the design;
FIG. 3 is a front elevation of FIG. 1;
FIG. 4 is a back elevation of FIG. 1;
FIG. 5 is a right side elevation of FIG. 1;
FIG. 6 is a left side elevation of FIG. 1;
FIG. 7 is a top plan view of FIG. 1; and,
FIG. 8 is a bottom plan view of FIG. 1.

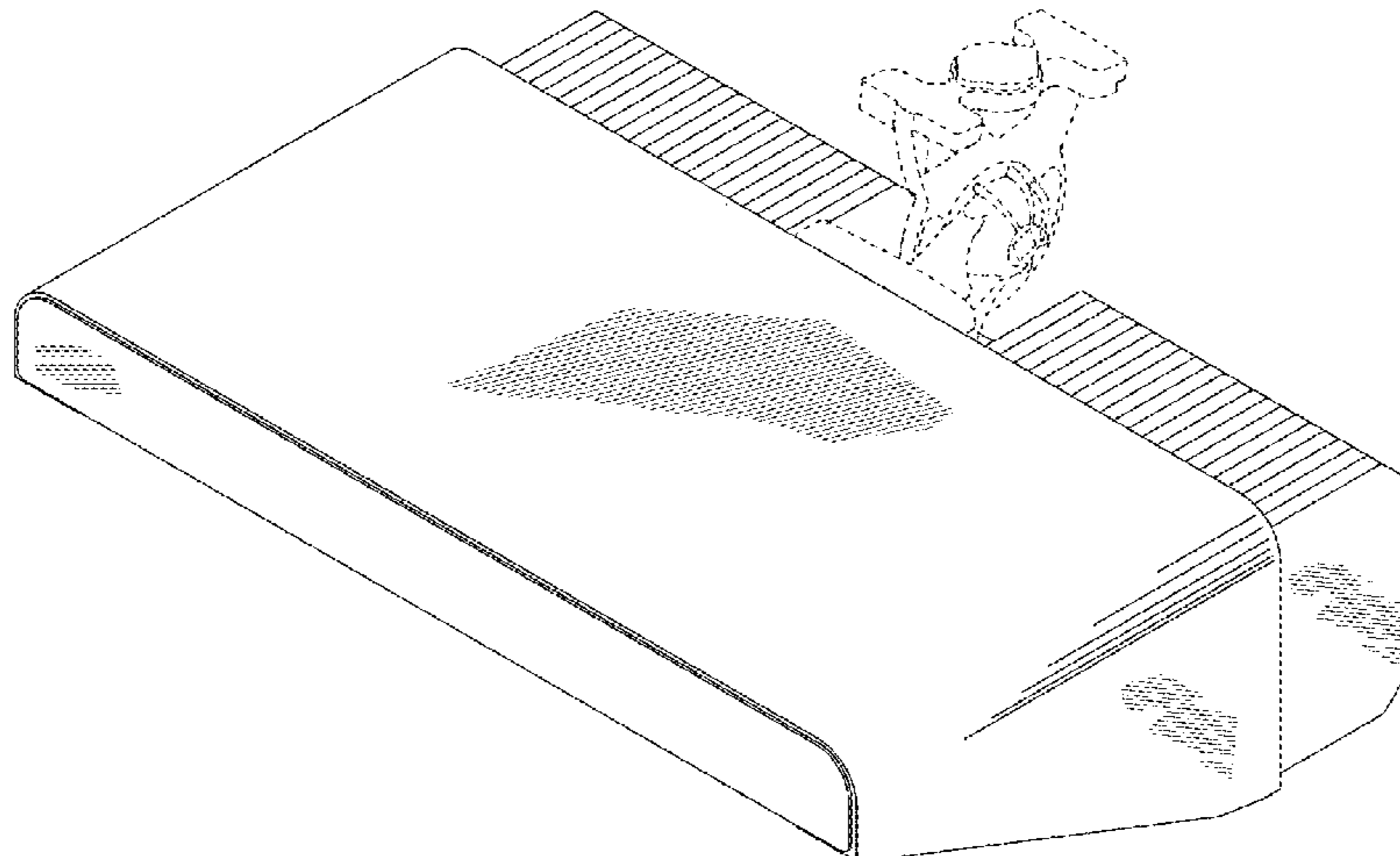
(56) **References Cited**

The broken lines shown in the drawings illustrate unclaimed portions of or environmental structure related to the adjustable lighting fixture with wraparound visor, and form no part of the claimed design.

U.S. PATENT DOCUMENTS

D411,025 S * 6/1999 Rahn D26/63

1 Claim, 8 Drawing Sheets



(56)

References Cited

U.S. PATENT DOCUMENTS

D749,767 S * 2/2016 Jin D26/63
 D771,854 S 11/2016 Gordin et al.
 D782,720 S * 3/2017 Moghal D26/67
 D790,107 S * 6/2017 Wilmotte D26/92
 D808,052 S 1/2018 Gordin et al.
 D808,053 S 1/2018 Gordin et al.
 9,964,267 B1 * 5/2018 Van Ee F21S 8/086
 D833,662 S * 11/2018 Gordin D26/63
 D841,854 S * 2/2019 Gordin D26/63
 D841,855 S * 2/2019 Gordin D26/63
 D841,856 S * 2/2019 Gordin D26/63
 10,215,378 B2 * 2/2019 Kinnune F21V 21/00
 D843,040 S * 3/2019 Xiang D26/63
 D846,171 S * 4/2019 Zhu D26/63
 2017/0138579 A1 * 5/2017 Kuti F21V 15/01
 2017/0307149 A1 * 10/2017 Clark F21V 29/76
 2019/0178485 A1 * 6/2019 Ladewig F21S 2/00

OTHER PUBLICATIONS

Gordin, Myron et al., unpublished Pending Design U.S. Appl. No. 29/637,423, Adjustable Lighting Fixture With Wraparound Visor, filed Feb. 19, 2018.

Gordin, Myron et al., unpublished Pending Design U.S. Appl. No. 29/637,425, Adjustable Lighting Fixture With Wraparound Visor, filed Feb. 19, 2018.

Gordin, Myron et al., unpublished Pending Design U.S. Appl. No. 29/637,504, Adjustable Lighting Fixture With Wraparound Visor, filed Feb. 19, 2018.

Gordin, Myron et al., unpublished Pending Design Application U.S. Appl. No. 29/637,505, Adjustable Lighting Fixture With Wraparound Visor, filed Feb. 19, 2018.

Gordin, Myron et al., unpublished Pending Design Application U.S. Appl. No. 29/637,508, Adjustable Lighting Fixture With Wraparound Visor, filed Feb. 19, 2018.

Gordin, Myron et al., unpublished Pending Design Application U.S. Appl. No. 29/627,868, Adjustable Lighting Fixture, filed Nov. 30, 2017.

Gordin, Myron et al., unpublished Pending Design Application U.S. Appl. No. 29/627,873, Adjustable Lighting Fixture, filed Nov. 30, 2017.

Gordin, Myron et al., unpublished Pending Design Application U.S. Appl. No. 29/627,901, Adjustable Lighting Fixture, filed Nov. 30, 2017.

Gordin, Myron et al., unpublished Pending Non-Provisional Application U.S. Appl. No. 15/826,772, Apparatus, Method, and System for Cost-Effective Lighting System Retrofits Including LED Luminaires.

Gordin, Myron et al., unpublished Pending Non-Provisional Application U.S. Appl. No. 16/000,567, Apparatus, Method, and System for Precise LED Lighting.

* cited by examiner

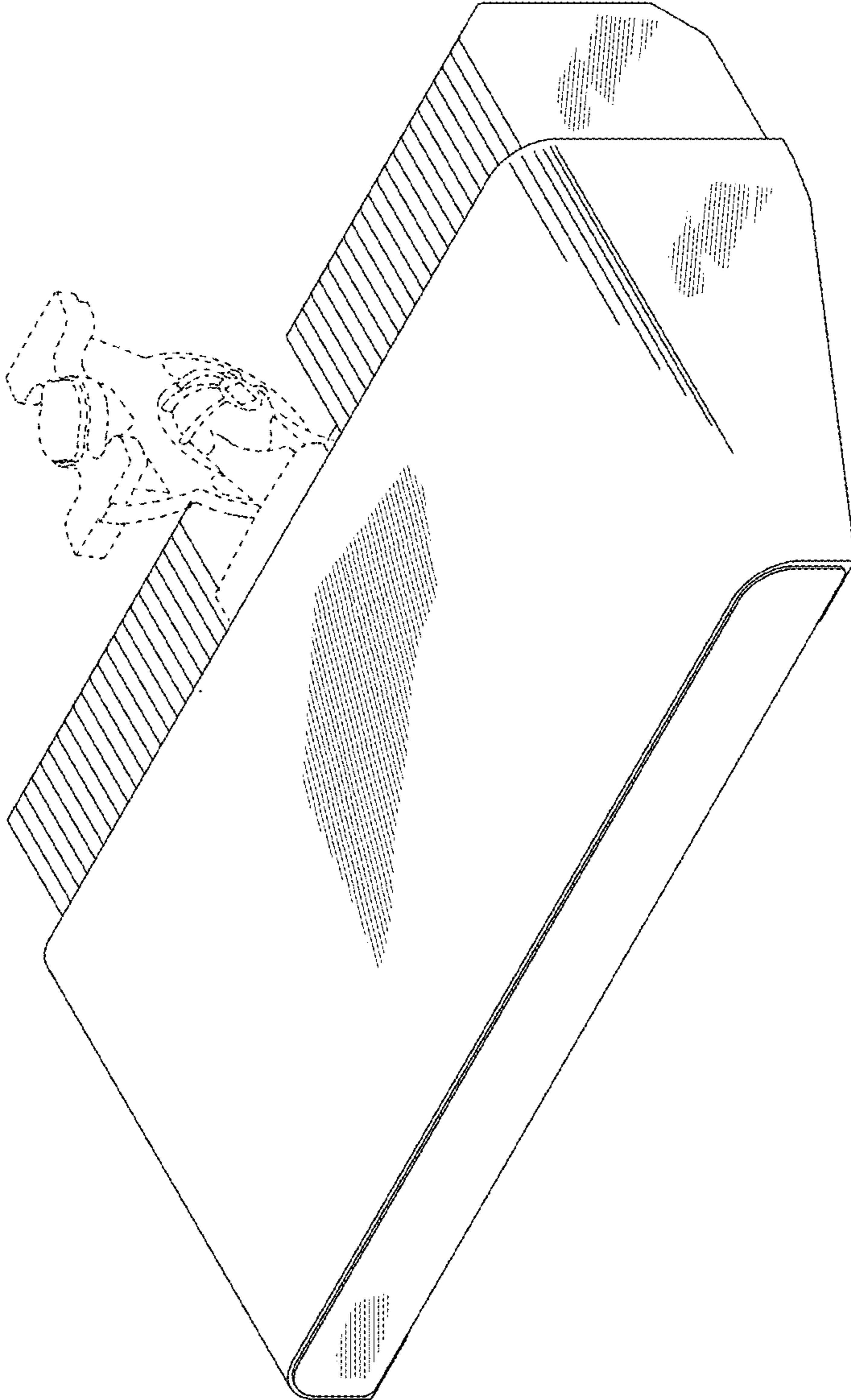


Fig 1

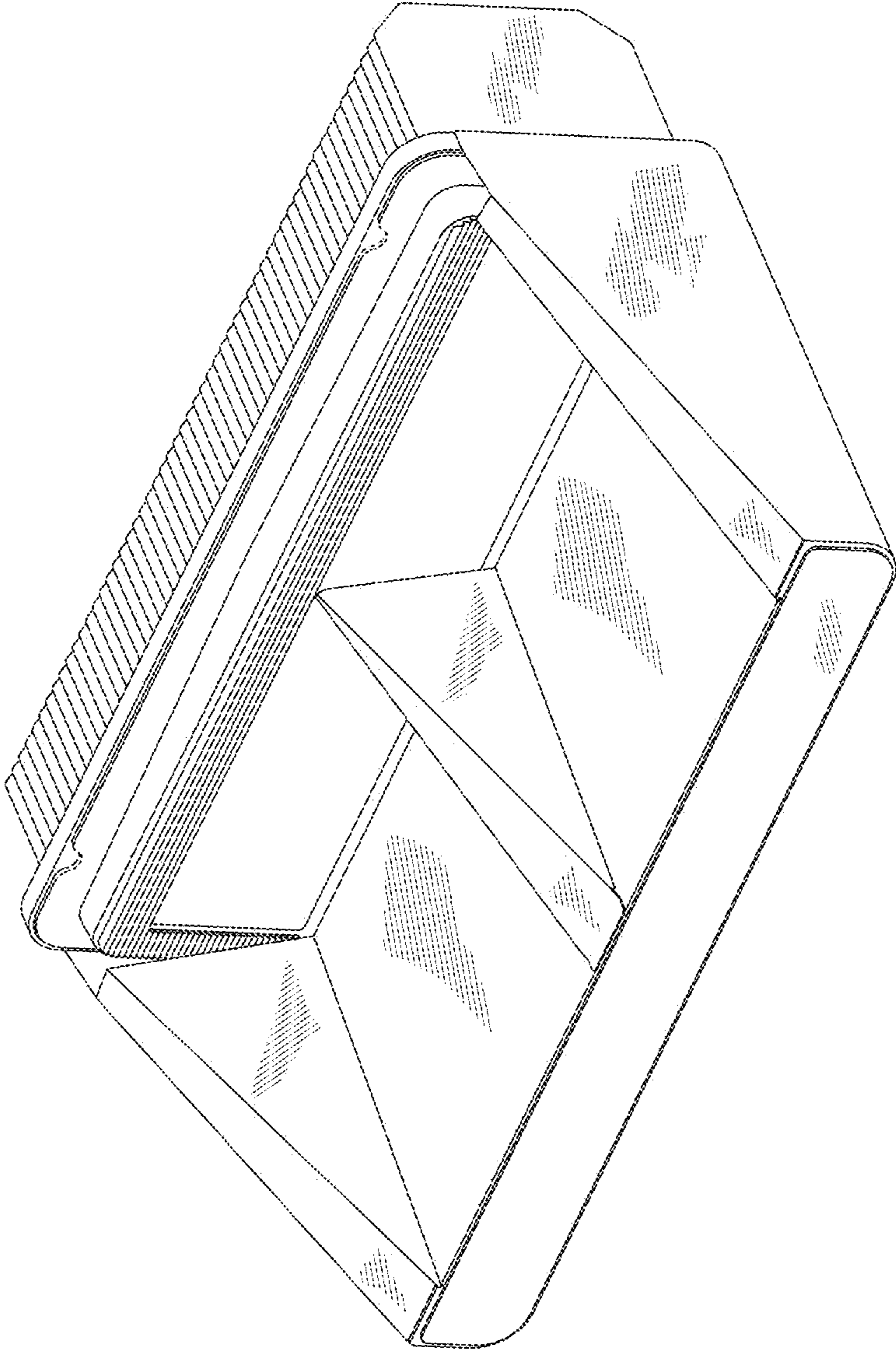


Fig 2

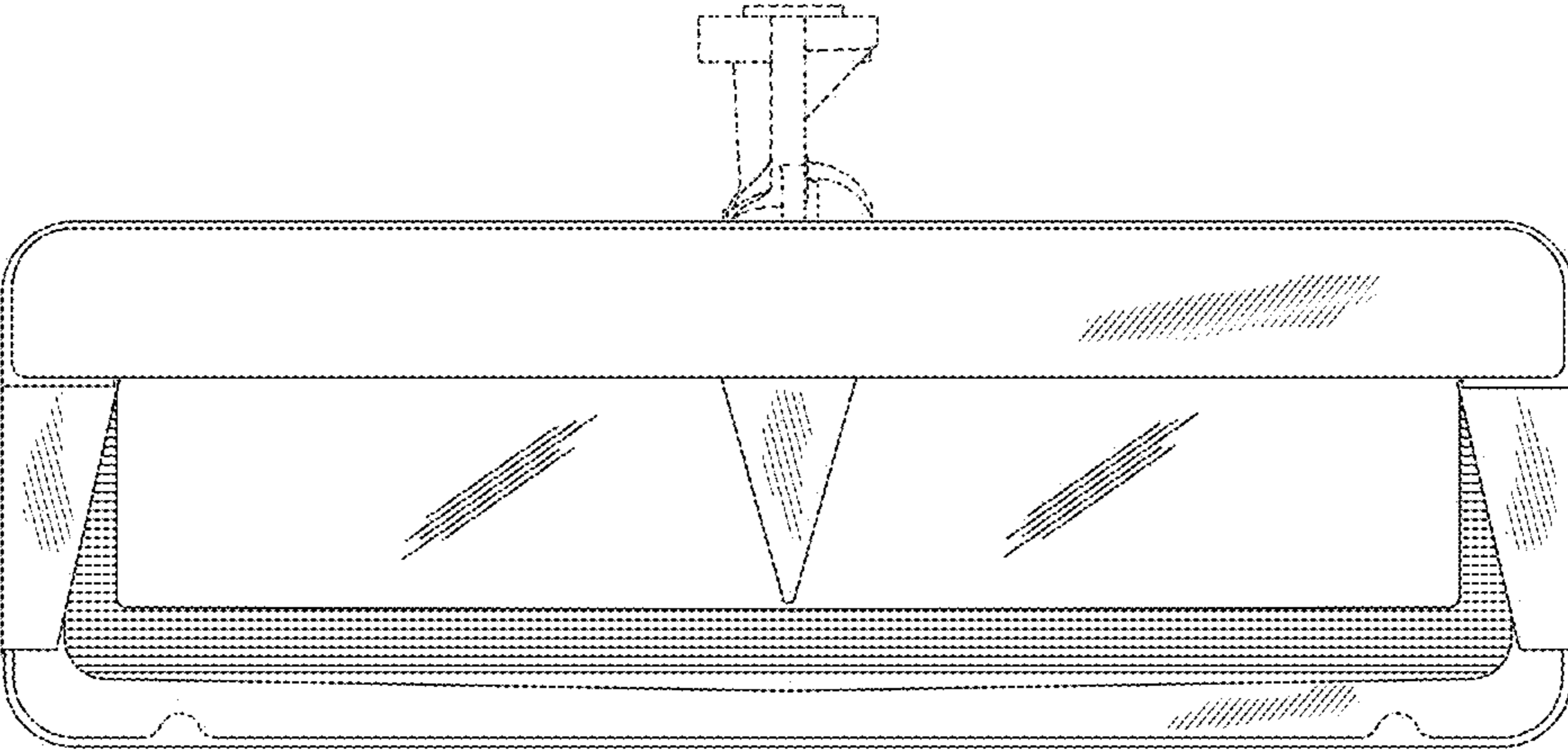


Fig 3

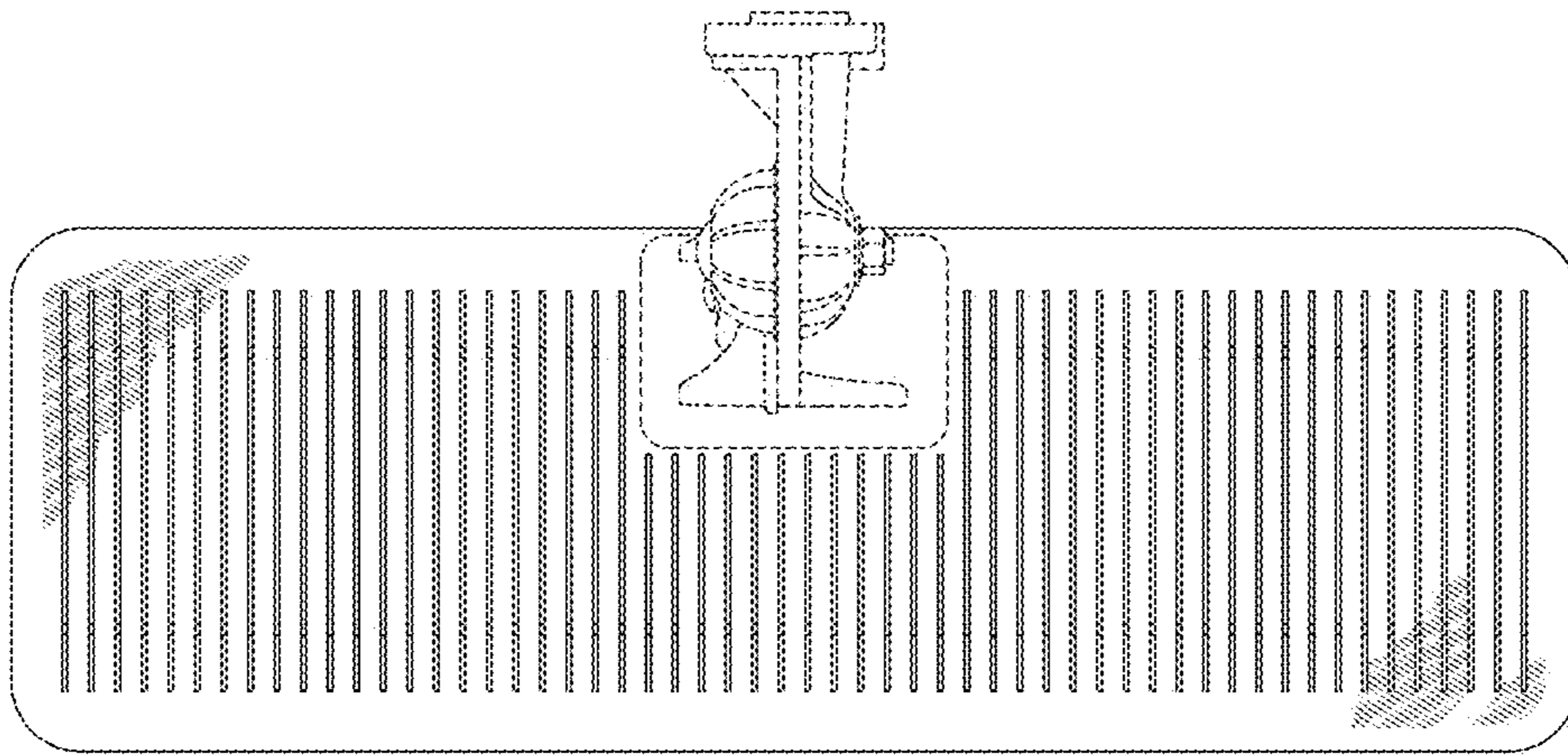


Fig 4

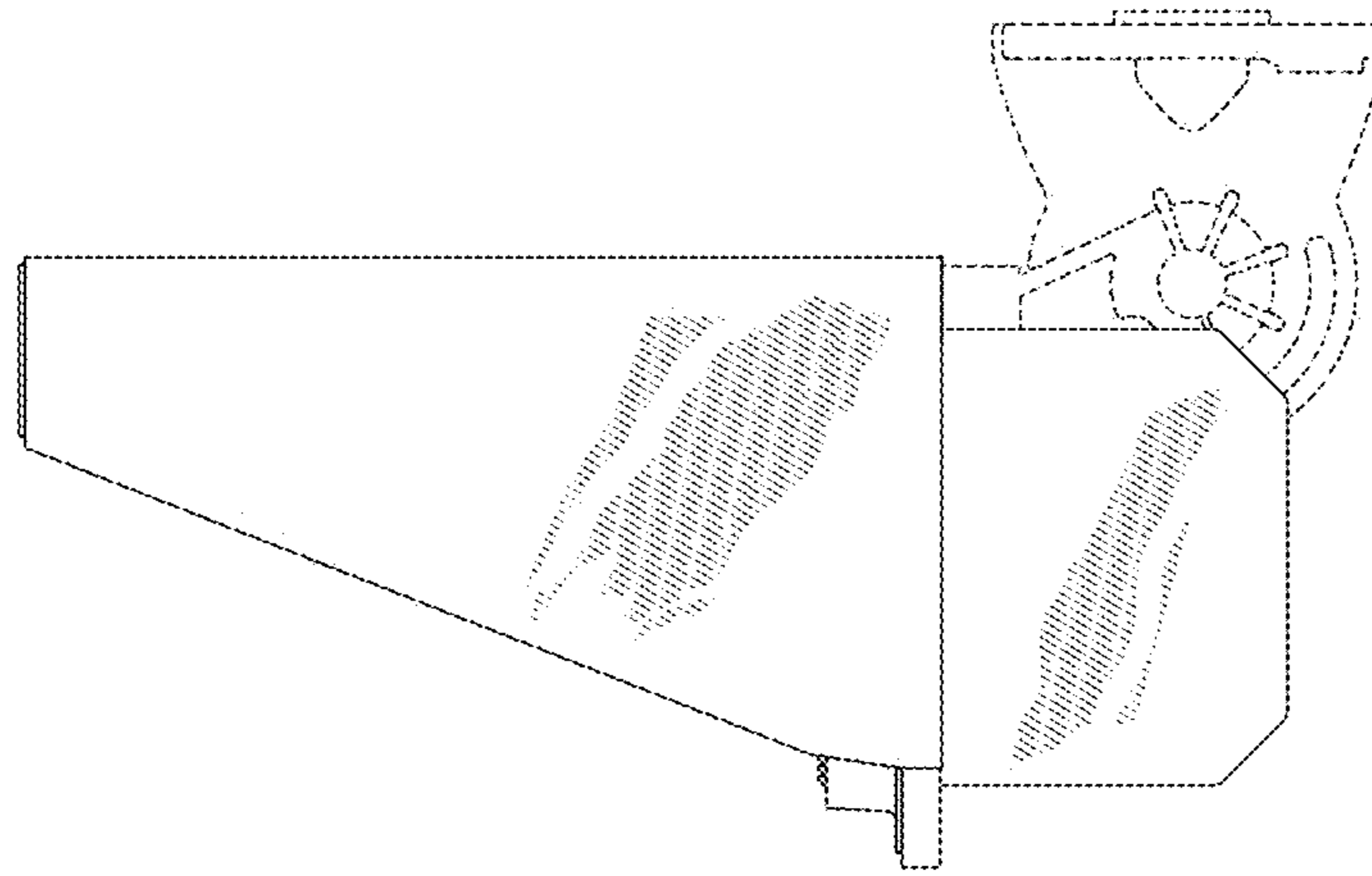


Fig 5

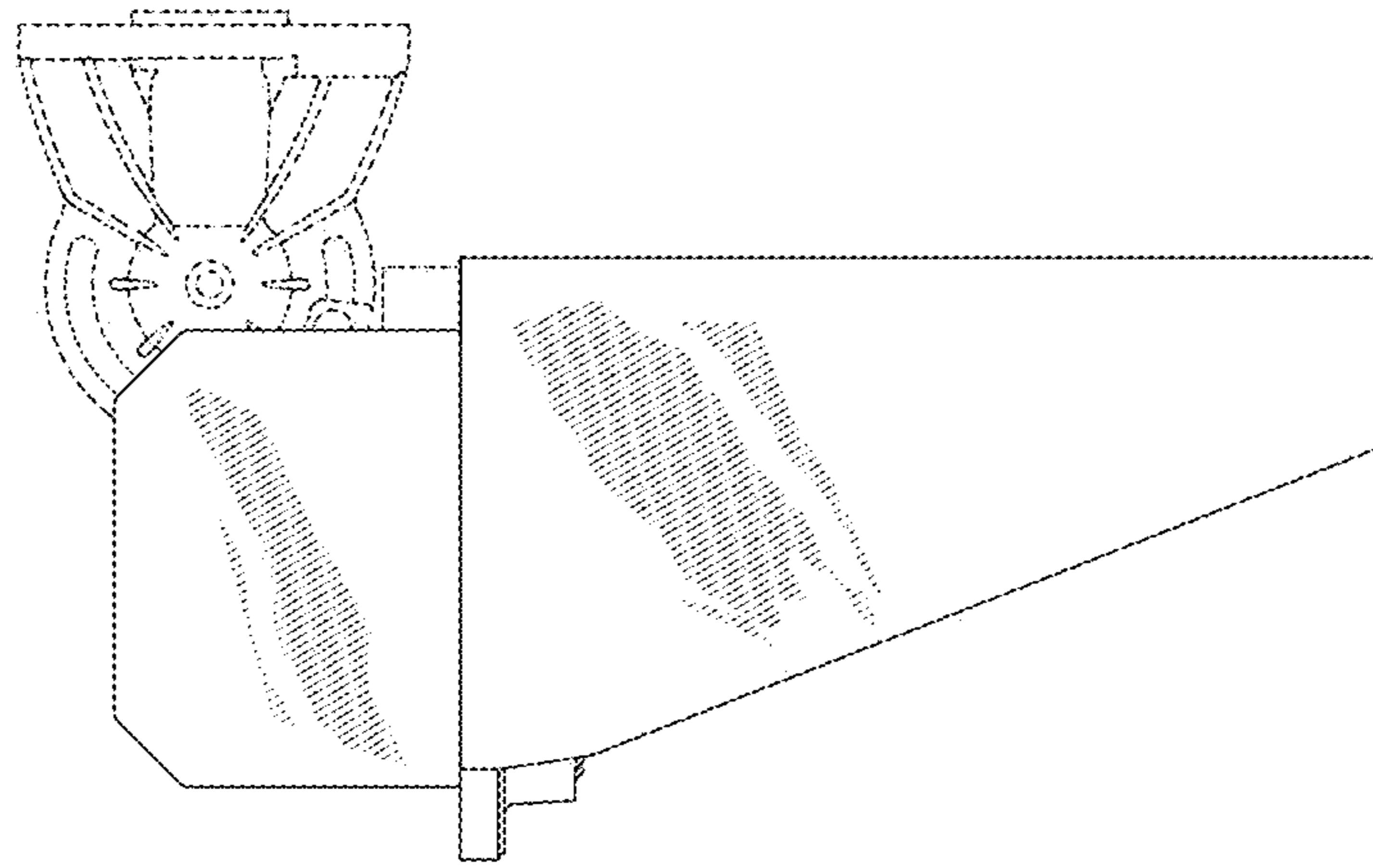


Fig 6

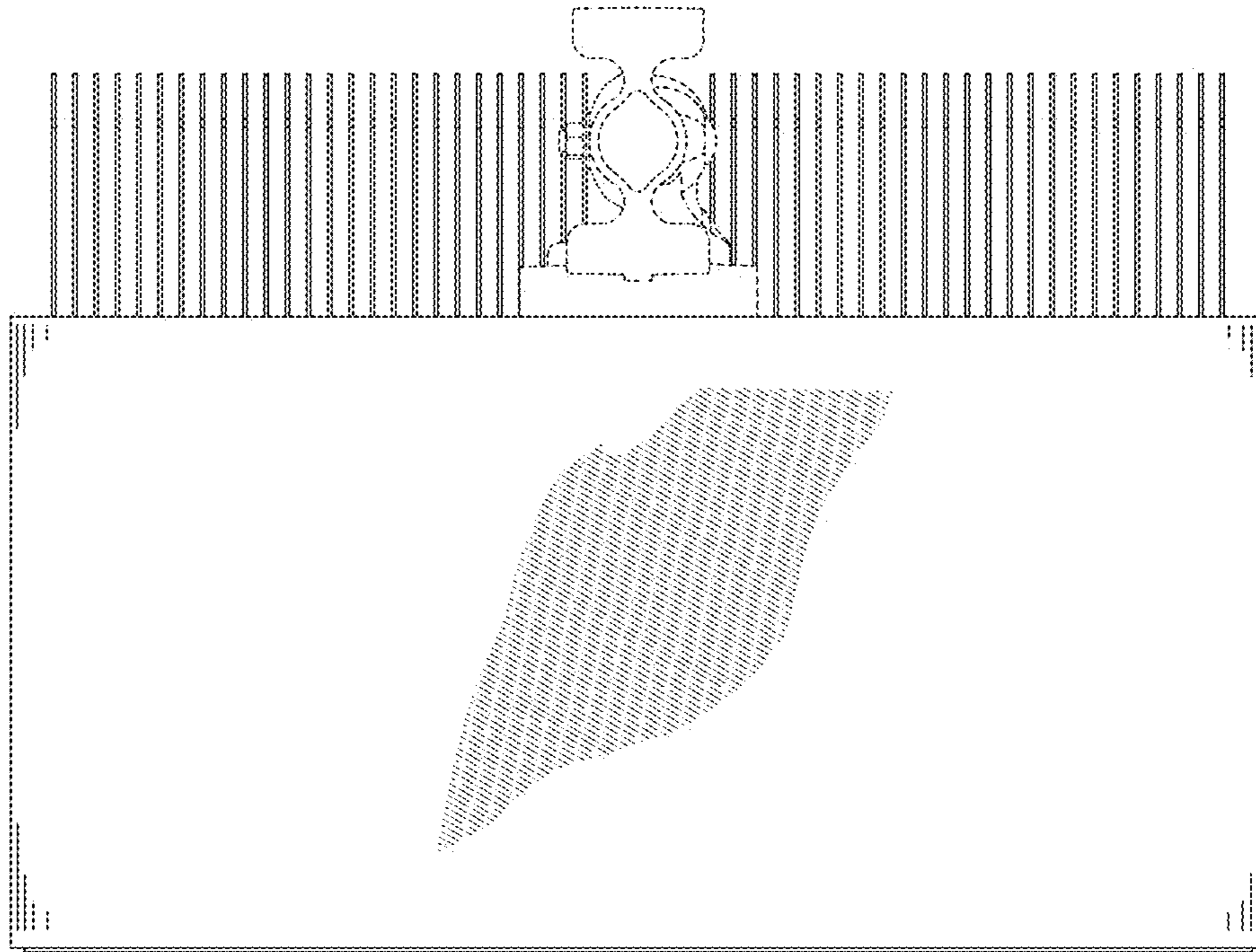


Fig 7

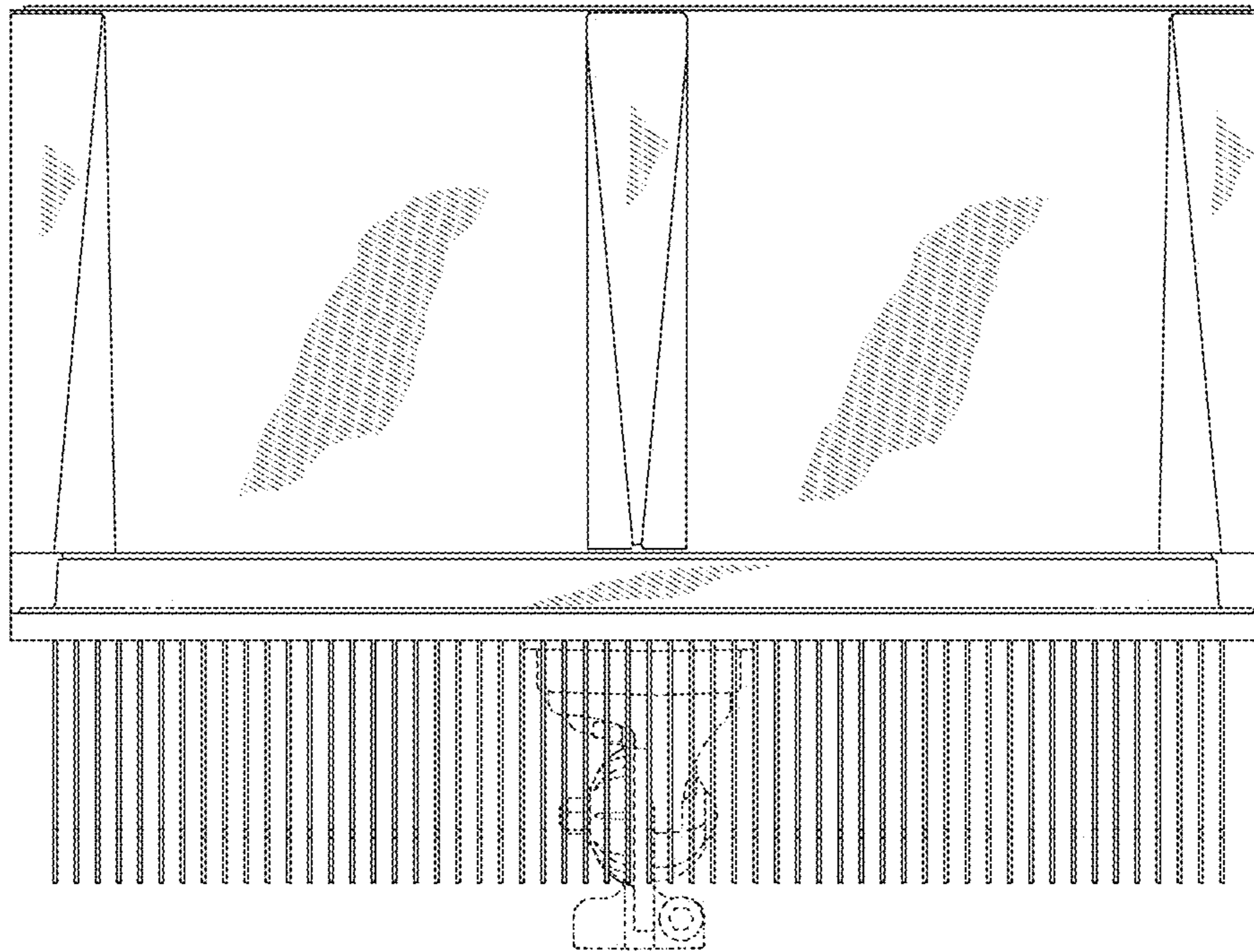


Fig 8