



US00D873459S

(12) **United States Design Patent** (10) **Patent No.:** **US D873,459 S**
Angell et al. (45) **Date of Patent:** **** Jan. 21, 2020**

- (54) **LIGHTING DEVICE**
- (71) Applicant: **Sign Light LLC**, Lake Oswego, OR (US)
- (72) Inventors: **Charles Austen Angell**, West Linn, OR (US); **Grant C. Cysewski**, Clackamas, OR (US); **Nathan Head**, Gresham, OR (US)
- (73) Assignee: **SIGN LIGHT LLC**, Lake Oswego, OR (US)
- (**) Term: **15 Years**
- (21) Appl. No.: **29/661,672**
- (22) Filed: **Aug. 29, 2018**
- (51) **LOC (12) Cl.** **26-05**
- (52) **U.S. Cl.**
USPC **D26/60**
- (58) **Field of Classification Search**
USPC D26/1, 24, 39, 60, 61, 62, 64-66, 72; D8/72, 73, 394, 396; D10/104.1, 106.1, D10/114.2, 114.3; D20/10, 16, 17, 19, D20/21, 29; 362/157, 171, 362, 365, 362/368, 370, 473, 474, 486
CPC F21W 2107/00; F21W 2107/13; F21W 2107/17; F21S 9/00; F21S 9/02; F21S 9/22; F21S 41/18; F21S 41/19; F21S 41/192-198; F21S 8/00; F21S 8/02; F21S 8/03; F21S 8/06; F21S 8/003; F21S 8/043; F21V 15/01; F21V 15/04
See application file for complete search history.

- D480,760 S * 10/2003 Wieth D20/10
- 7,231,735 B2 6/2007 Gelbert
- 7,422,348 B1 9/2008 Yates, II
- D590,535 S * 4/2009 Wnek D26/66
- D602,628 S * 10/2009 Benensohn D26/61
- D603,080 S * 10/2009 Benensohn D26/61
- D616,137 S 5/2010 Bucher et al.
- D623,336 S * 9/2010 Levine D26/60

(Continued)

OTHER PUBLICATIONS

Photovoltaic Lightng Group, various pages related to the Ecolux Solar Lighting Unit, at least as early as Mar. 3, 2017, 5 pages, www.plgaustralia.com.au/solar-lighting-unit-by-plg.

(Continued)

Primary Examiner — Wan Laymon
Assistant Examiner — Clint A Samuel
(74) *Attorney, Agent, or Firm* — Law Office of Karen Dana Oster, LLC

(57) **CLAIM**

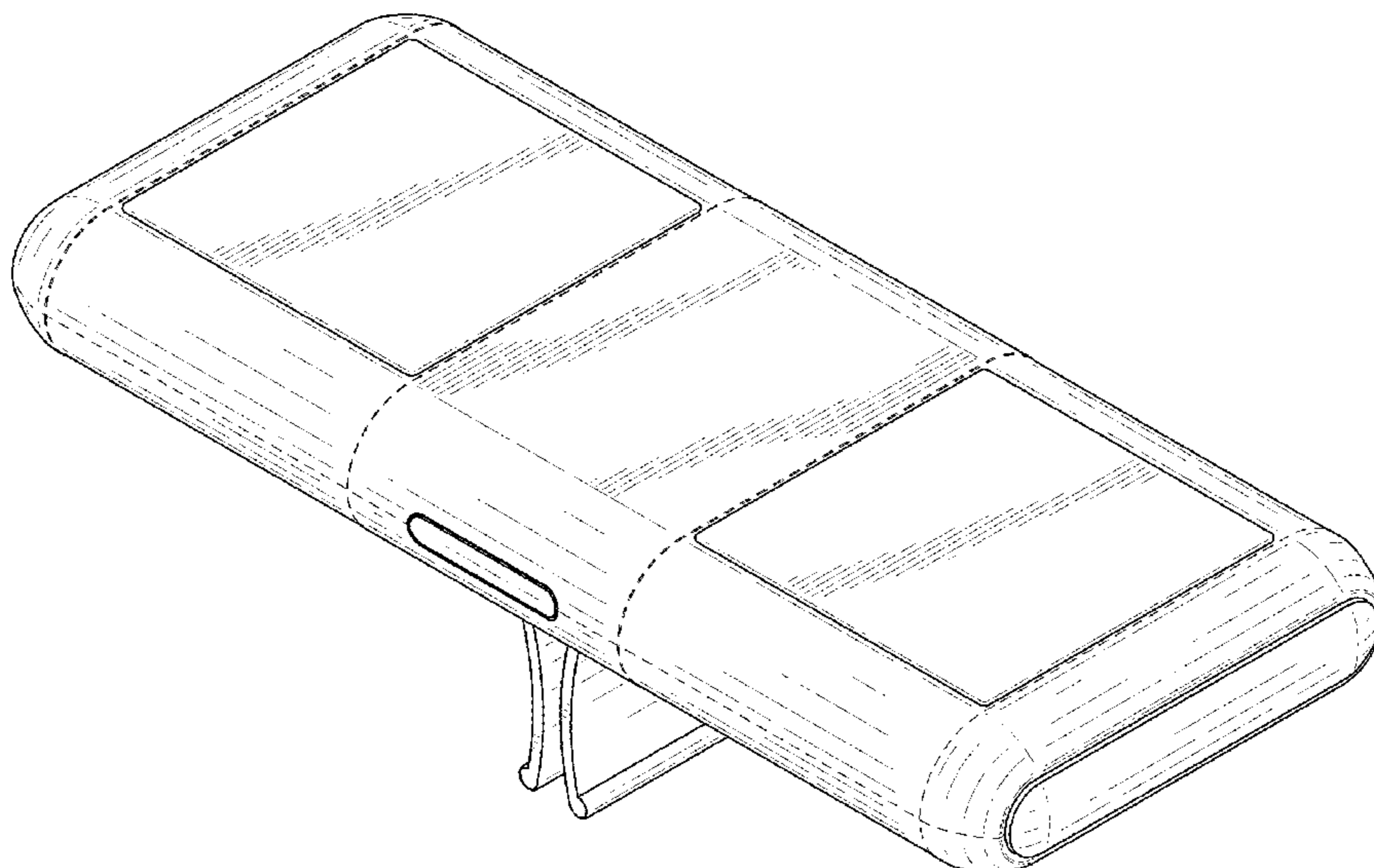
The ornamental design for a lighting device, as shown and described.

DESCRIPTION

FIG. 1 is a top perspective view of the lighting device of our new design;
FIG. 2 is a bottom perspective view thereof;
FIG. 3 is a front view thereof;
FIG. 4 is a rear view thereof;
FIG. 5 is a left side thereof;
FIG. 6 is a right side view thereof;
FIG. 7 is a top view thereof; and,
FIG. 8 is a bottom view thereof.
The shading on the lighting device is meant to delineate contour, not material or surface texture.
The broken lines shown in the drawings depict portions of the lighting device that form no part of the claimed design.

1 Claim, 8 Drawing Sheets

- (56) **References Cited**
U.S. PATENT DOCUMENTS
5,101,329 A 3/1992 Doyle
D409,400 S * 5/1999 Peruzzo D6/328
6,263,601 B1 7/2001 Emert
6,624,742 B1 9/2003 Romano et al.



(56)

References Cited

U.S. PATENT DOCUMENTS

D652,876 S 1/2012 Lotzof
D752,252 S * 3/2016 Ruthling D26/28
9,443,454 B1 9/2016 Treece
D783,194 S * 4/2017 Camarota D26/89
D832,485 S * 10/2018 Lopez D26/72
2006/0185203 A1 8/2006 Bittle et al.
2009/0012857 A1 1/2009 Schelfaut

OTHER PUBLICATIONS

Solar Innovation Store, various web page printouts related to the SunPal 2x Solar Real Estate Light, at least as early as Mar. 3, 2017, 9 pages, www.solarinnovationstore.com/products/new-sunpal-2x-solar-real-estate-light?variant=1078577737.

* cited by examiner

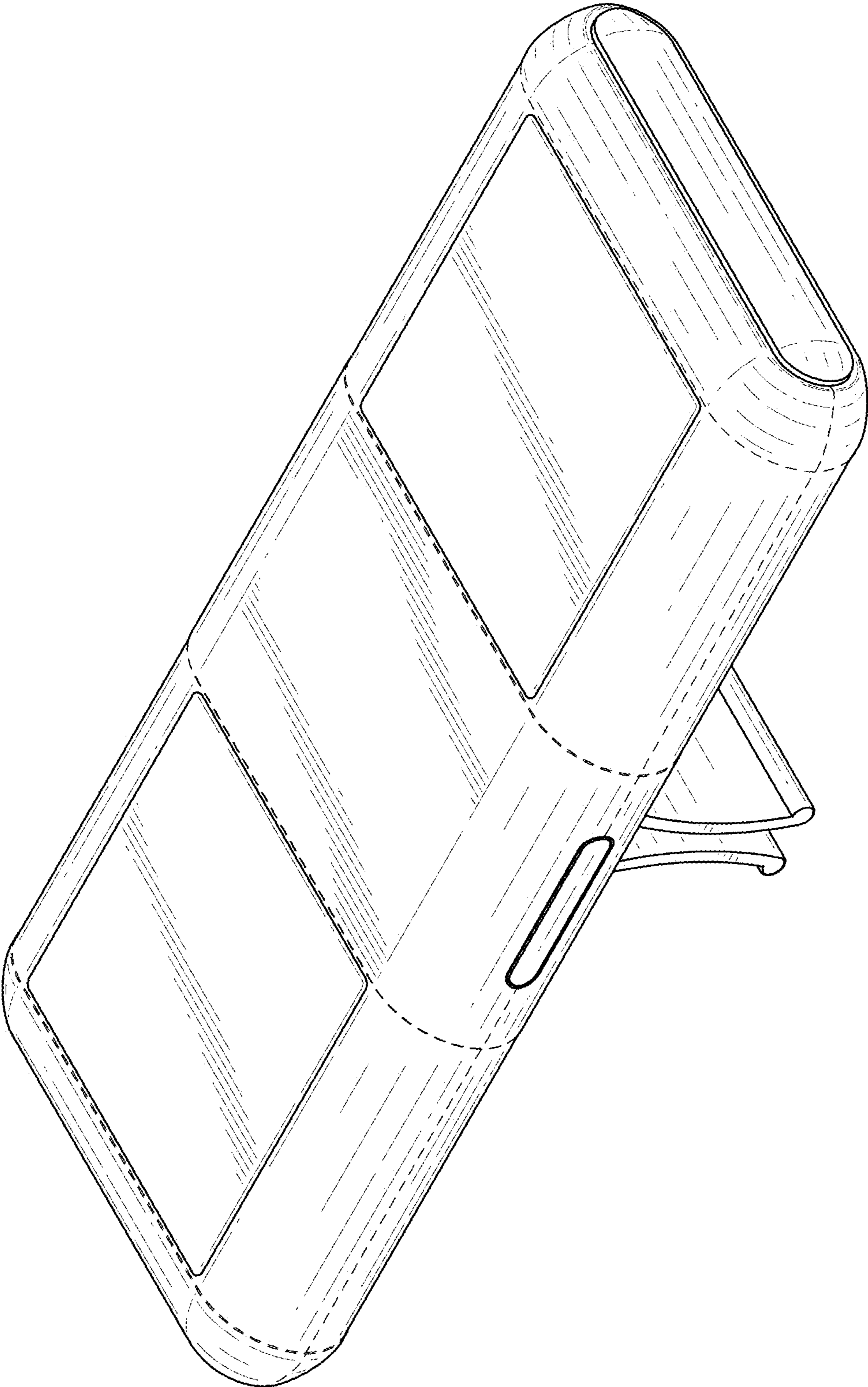


FIG. 1

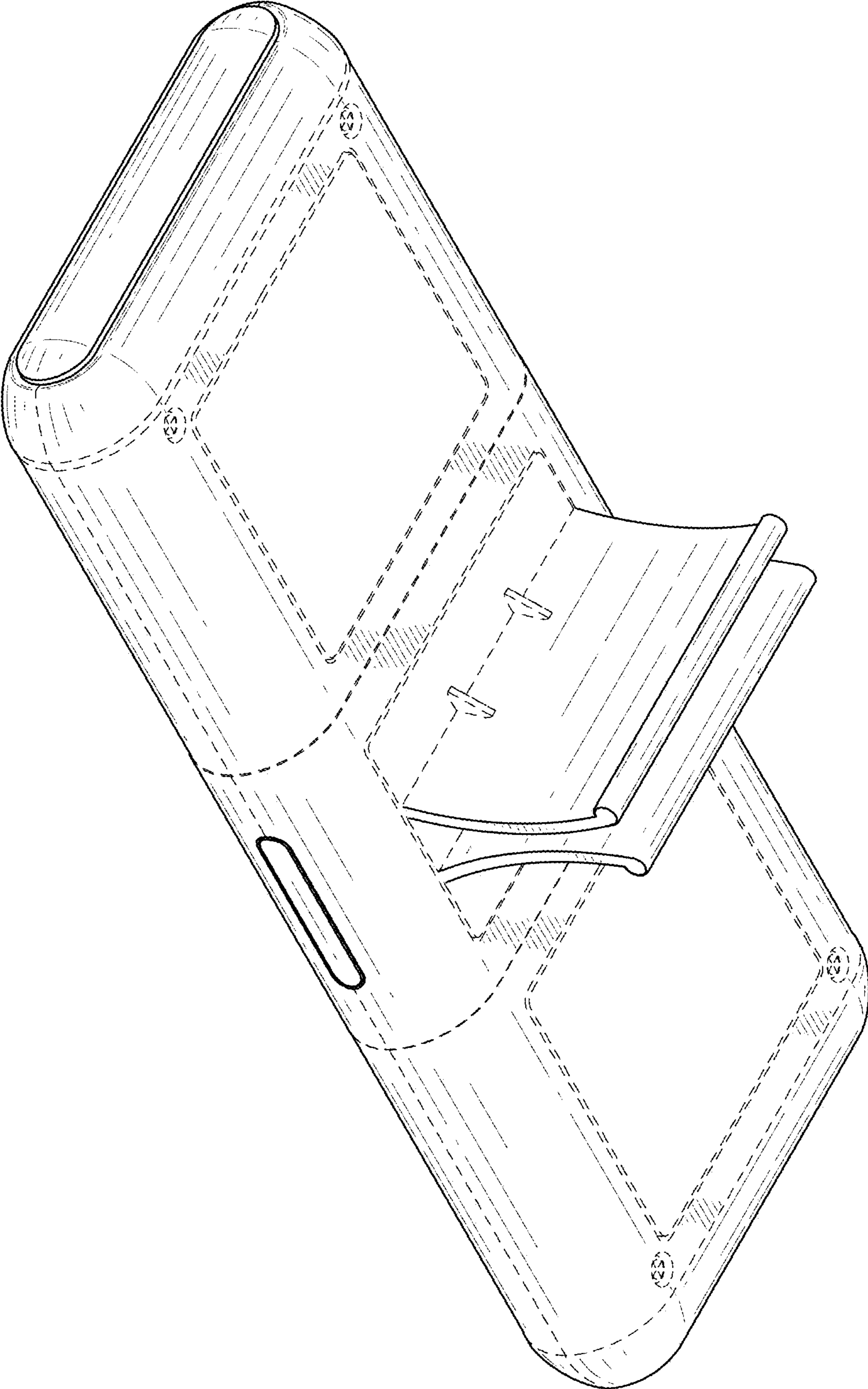


FIG. 2

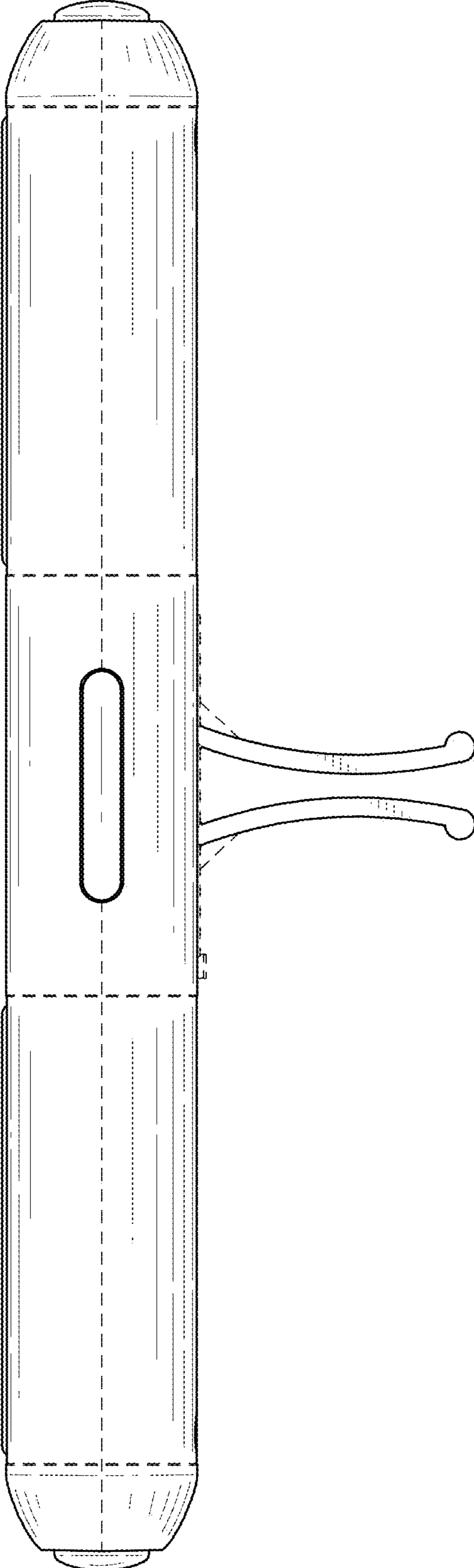


FIG. 3

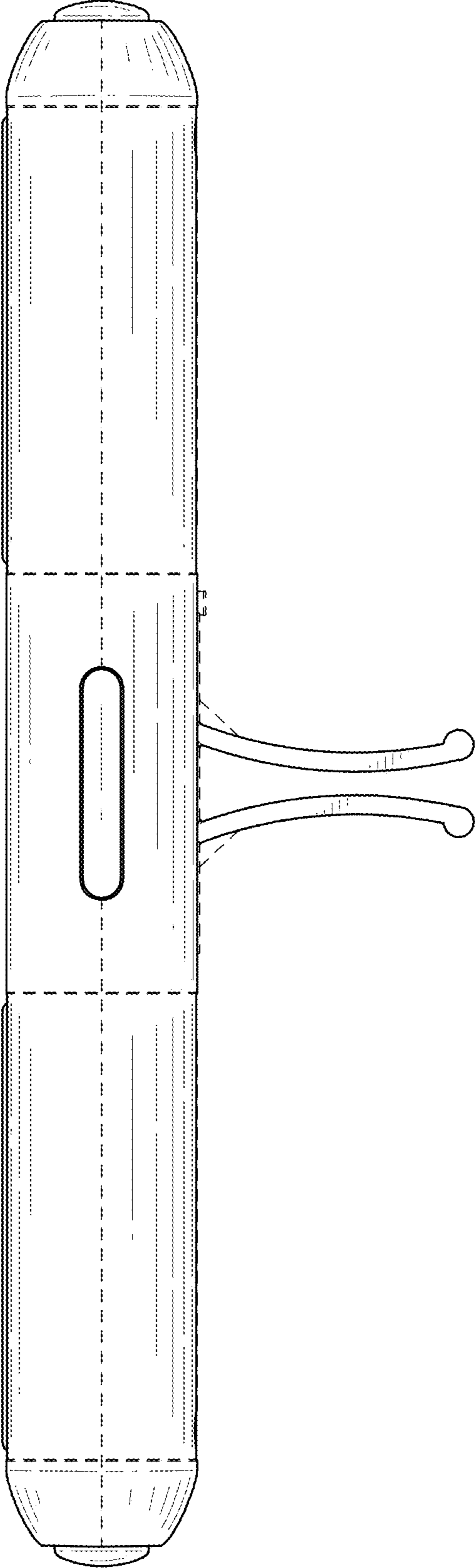


FIG. 4

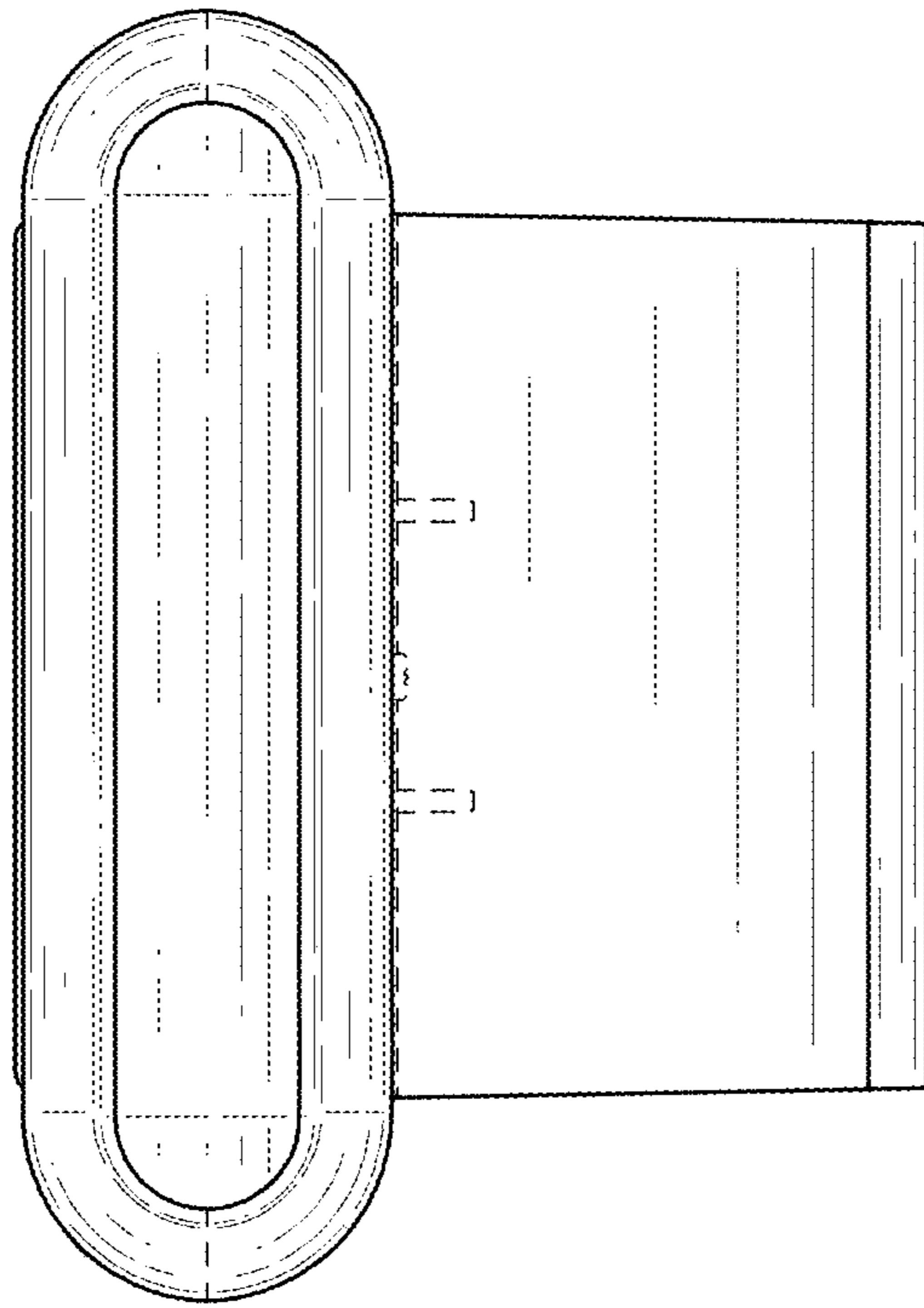


FIG. 5

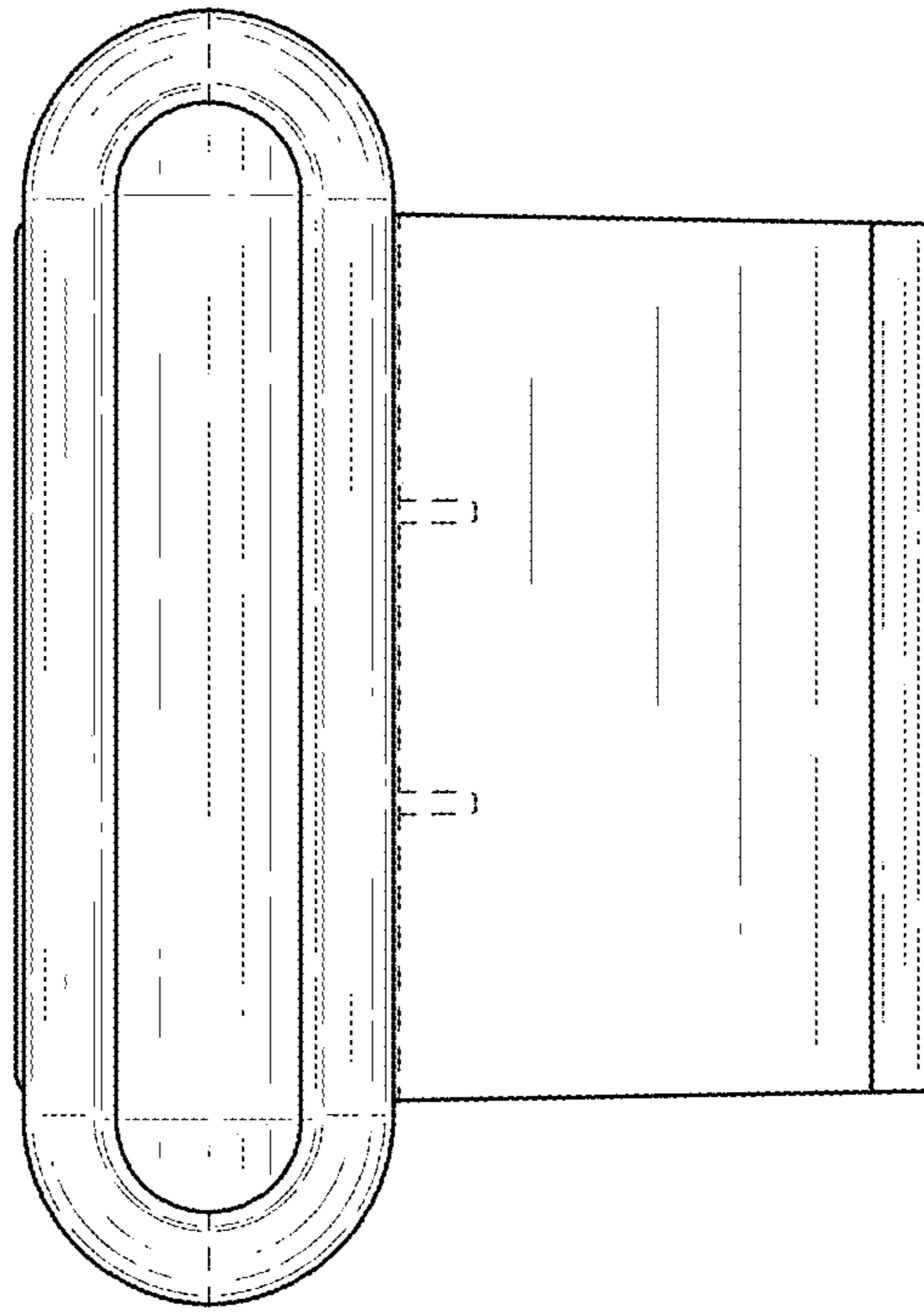


FIG. 6

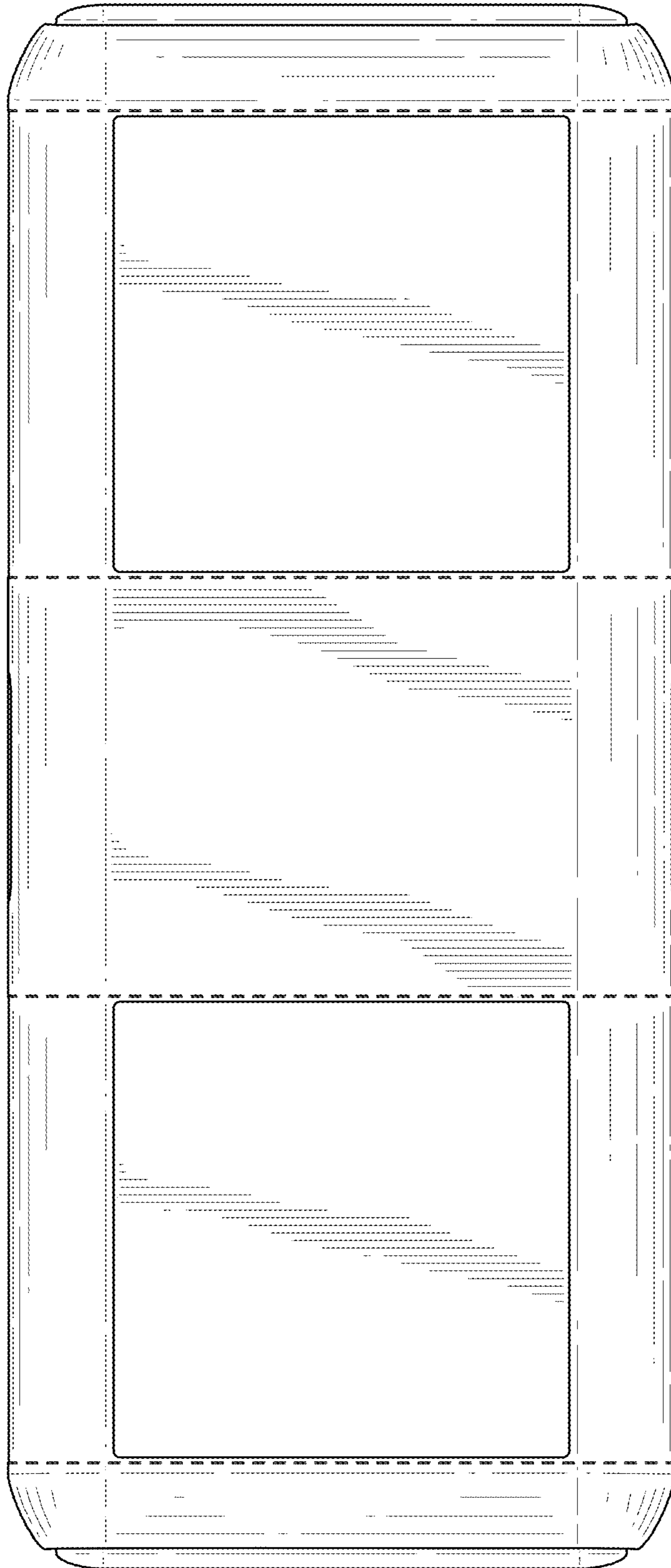


FIG. 7

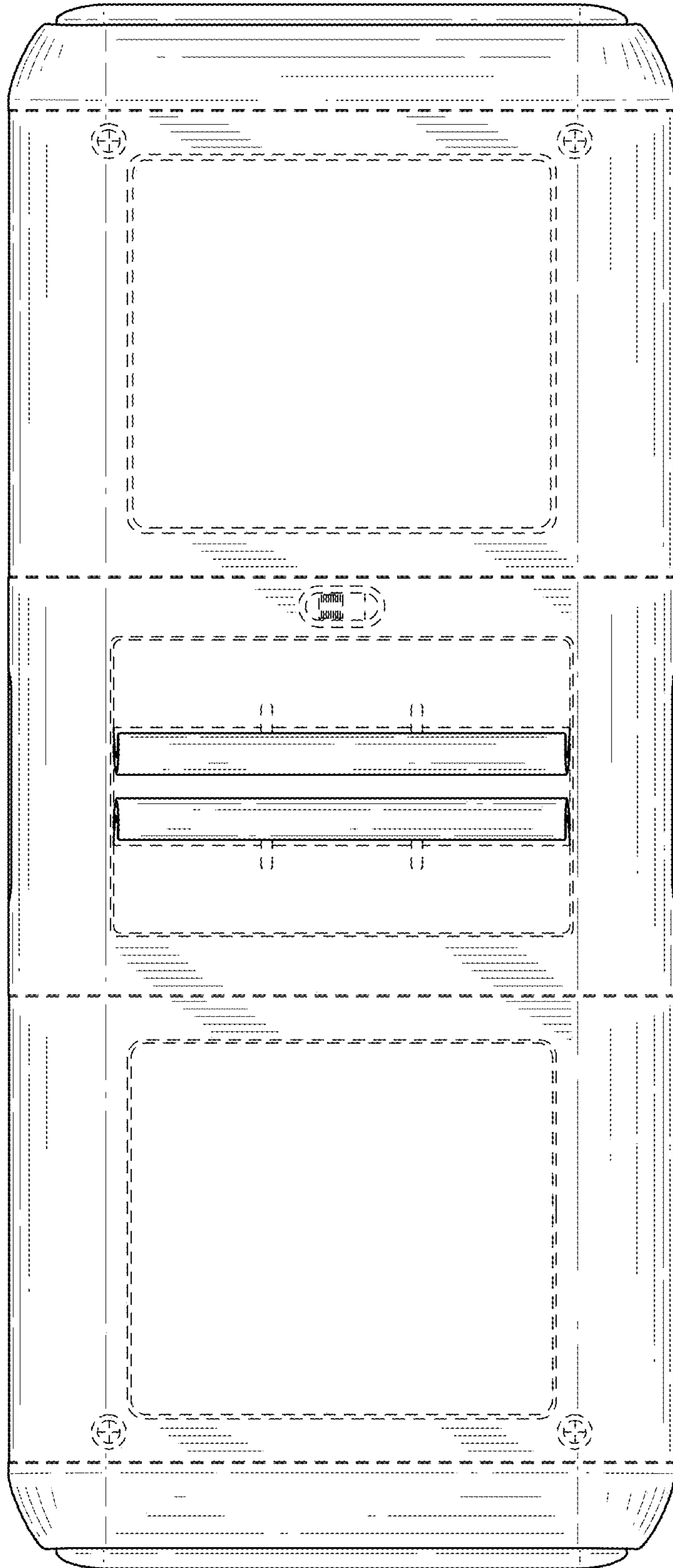


FIG. 8