



US00D873457S

(12) **United States Design Patent** (10) **Patent No.:** **US D873,457 S**
Han et al. (45) **Date of Patent:** **** Jan. 21, 2020**

(54) **REAR COMBINATION LAMP FOR AN AUTOMOBILE**

CPC .. F21S 41/00; F21S 41/20; F21S 41/30; F21S 43/14; F21S 43/15; F21S 43/20
See application file for complete search history.

(71) Applicants: **HYUNDAI MOTOR COMPANY**, Seoul (KR); **KIA MOTORS CORPORATION**, Seoul (KR)

(56) **References Cited**

U.S. PATENT DOCUMENTS

(72) Inventors: **Jae Do Han**, Yongin-si (KR); **Keon Soo Jin**, Ulsan (KR); **Min Jae Kwon**, Seoul (KR); **Sung Uk Choi**, Suwon-si (KR); **Byung Ho Kong**, Seoul (KR)

D665,109	S	*	8/2012	Platto	D26/139
D708,368	S	*	7/2014	Song	D26/28
D716,979	S	*	11/2014	Selvaag	D26/28
D755,420	S	*	5/2016	Ko	D26/28
D774,221	S	*	12/2016	Lim	D26/28
D776,313	S	*	1/2017	Han	D26/28
D808,048	S	*	1/2018	Hannemann	D26/28
D844,190	S	*	3/2019	Nordmann	D26/28
D844,192	S	*	3/2019	Nordmann	D26/28
D849,291	S	*	5/2019	Wu	D26/28

(73) Assignees: **Hyundai Motor Company**, Seoul (KR); **Kia Motors Corporation**, Seoul (KR)

* cited by examiner

(**) Term: **15 Years**

Primary Examiner — Robert M. Spear

(21) Appl. No.: **35/506,248**

(74) *Attorney, Agent, or Firm* — Mintz Levin Cohn Ferris Glovsky and Popeo, P.C.; Peter F. Corless; Carolina E. Säve

(22) Filed: **Jun. 18, 2018**

(80) **Hague Agreement Data**

Int. Filing Date: **Jun. 18, 2018**
Int. Reg. No.: **DM/101711**
Int. Reg. Date: **Jun. 18, 2018**
Int. Reg. Pub. Date: **Dec. 21, 2018**

(57) **CLAIM**

The ornamental design for rear combination lamp for an automobile, as shown and described.

(30) **Foreign Application Priority Data**

Apr. 13, 2018 (KR) 30-2018-0017468

DESCRIPTION

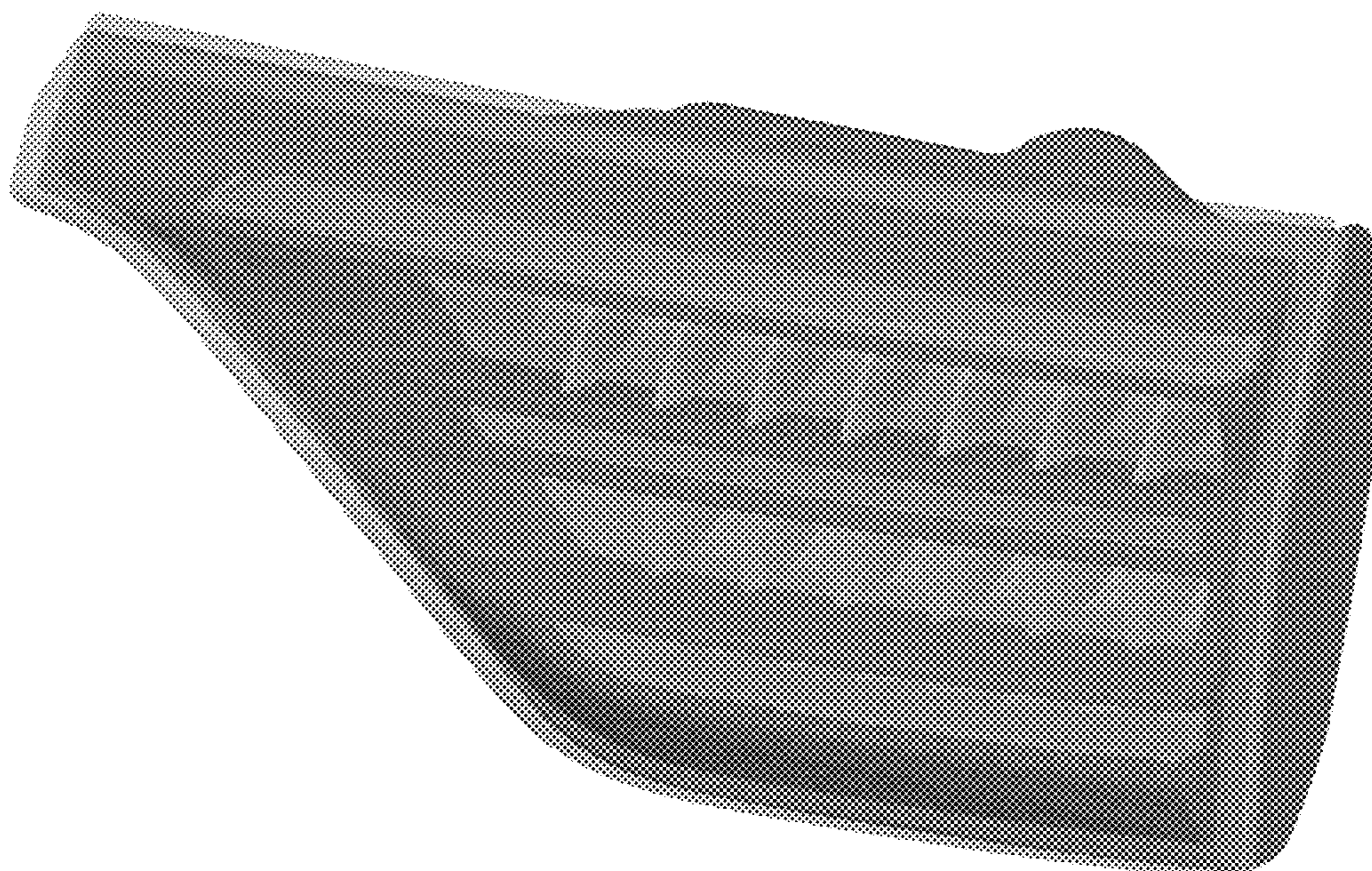
(51) **LOC (12) Cl.** **26-06**

(52) **U.S. Cl.**
USPC **D26/28**

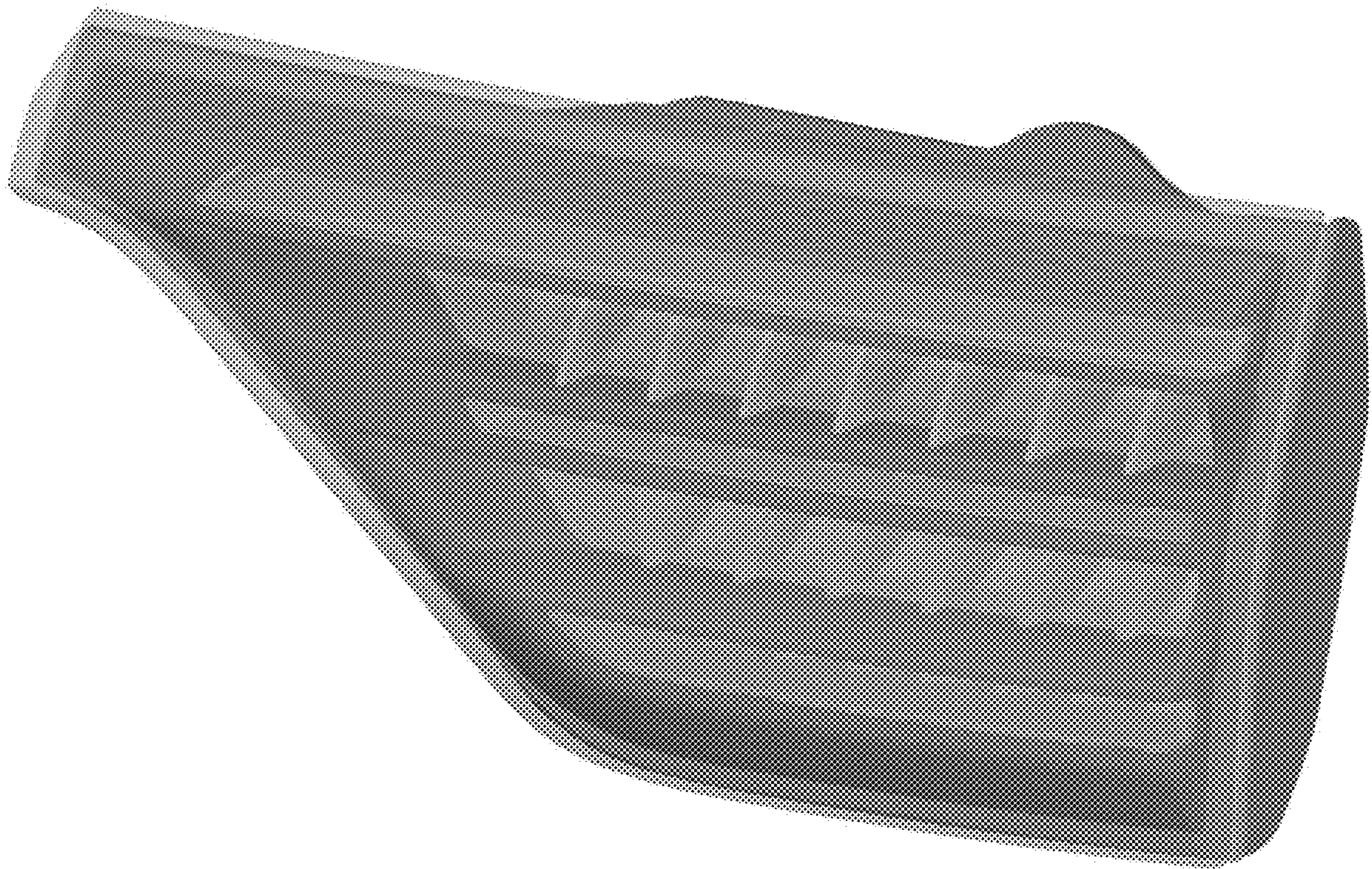
1. Rear combination lamp for an automobile
 - 1.1 : Perspective
 - 1.2 : Front
 - 1.3 : Back
 - 1.4 : Left
 - 1.5 : Right
 - 1.6 : Top
 - 1.7 : Bottom

(58) **Field of Classification Search**
USPC D12/196; D26/28, 35, 36; D21/433

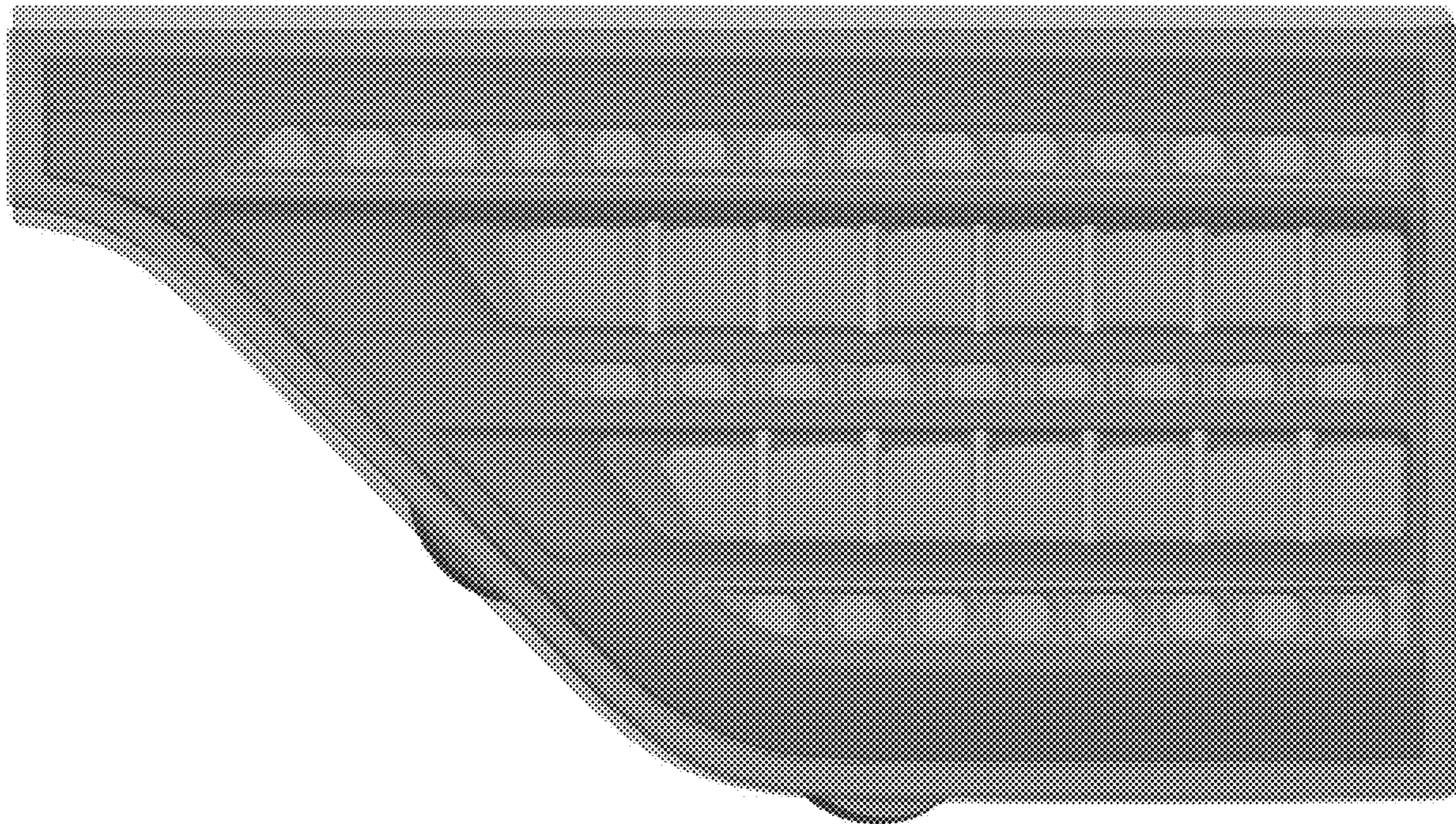
1 Claim, 7 Drawing Sheets



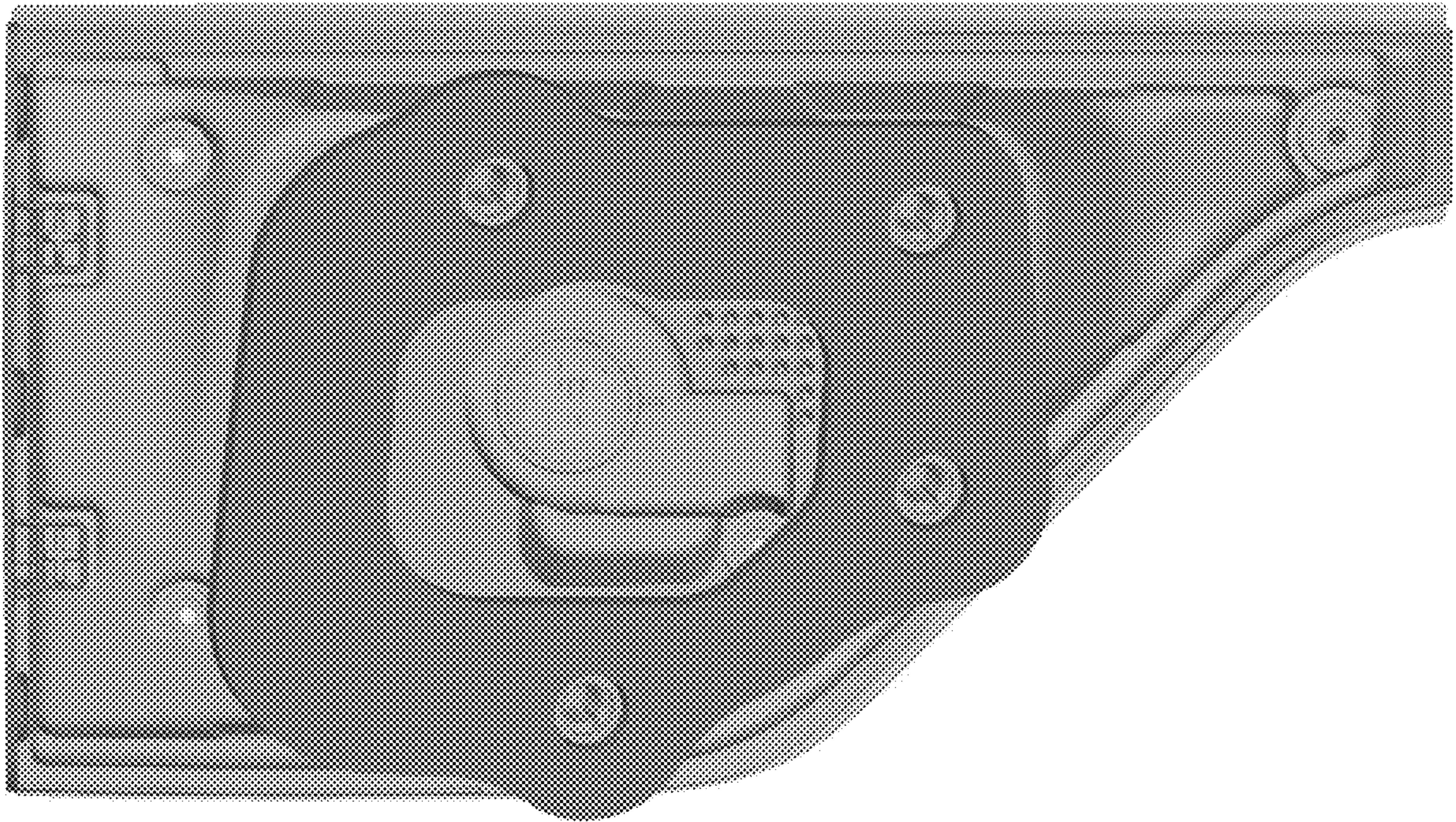
1.1



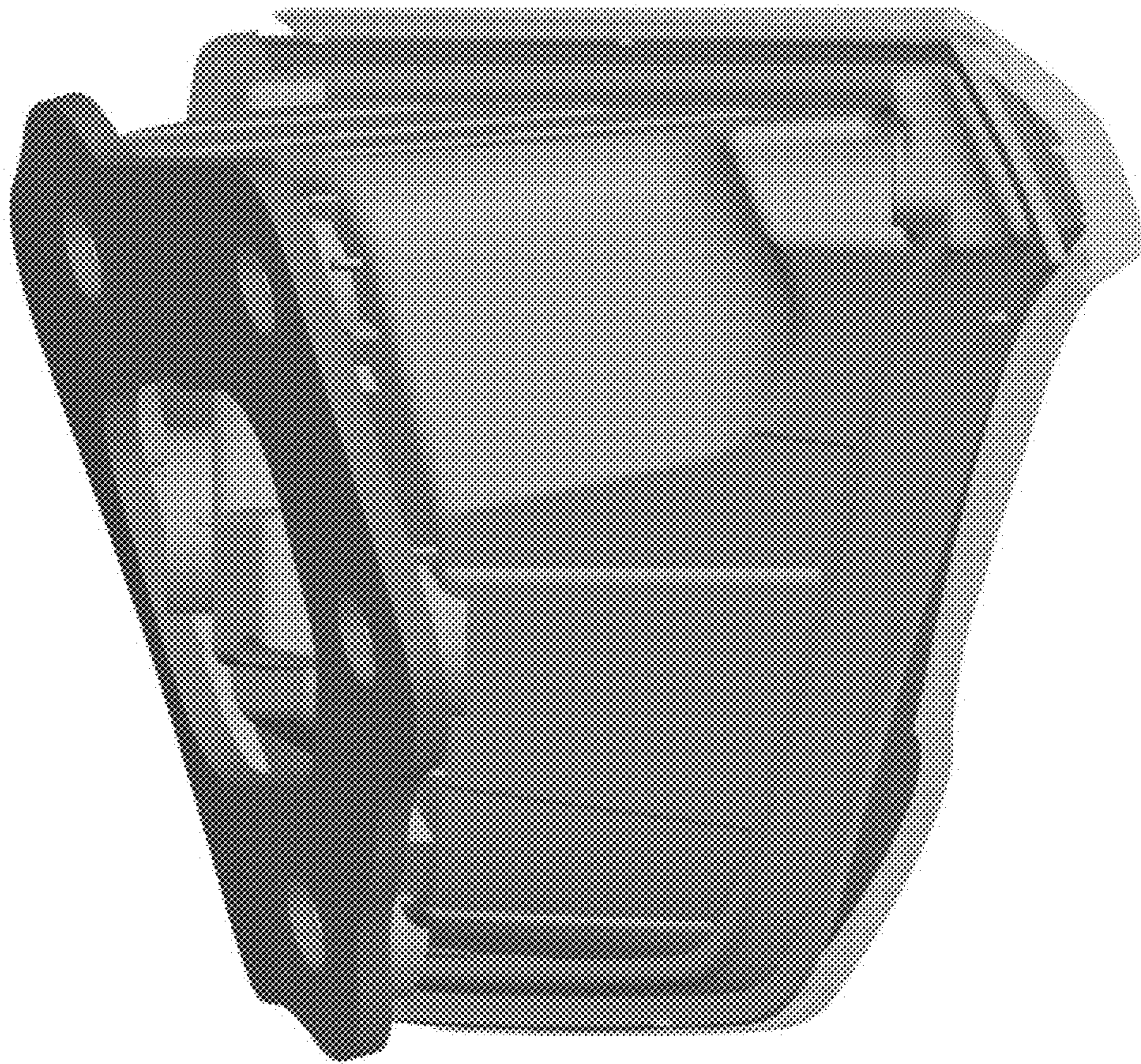
1.2



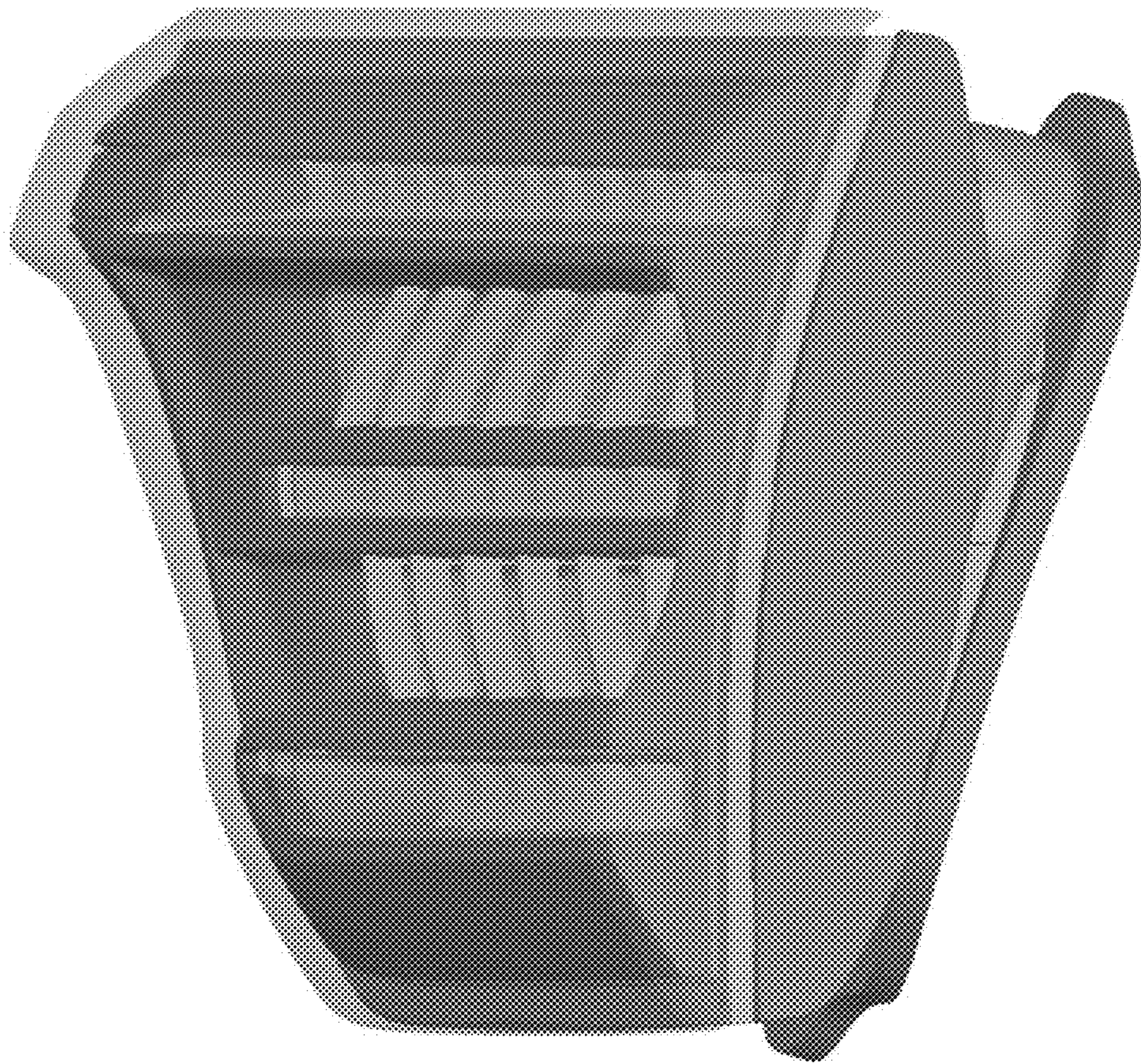
1.3



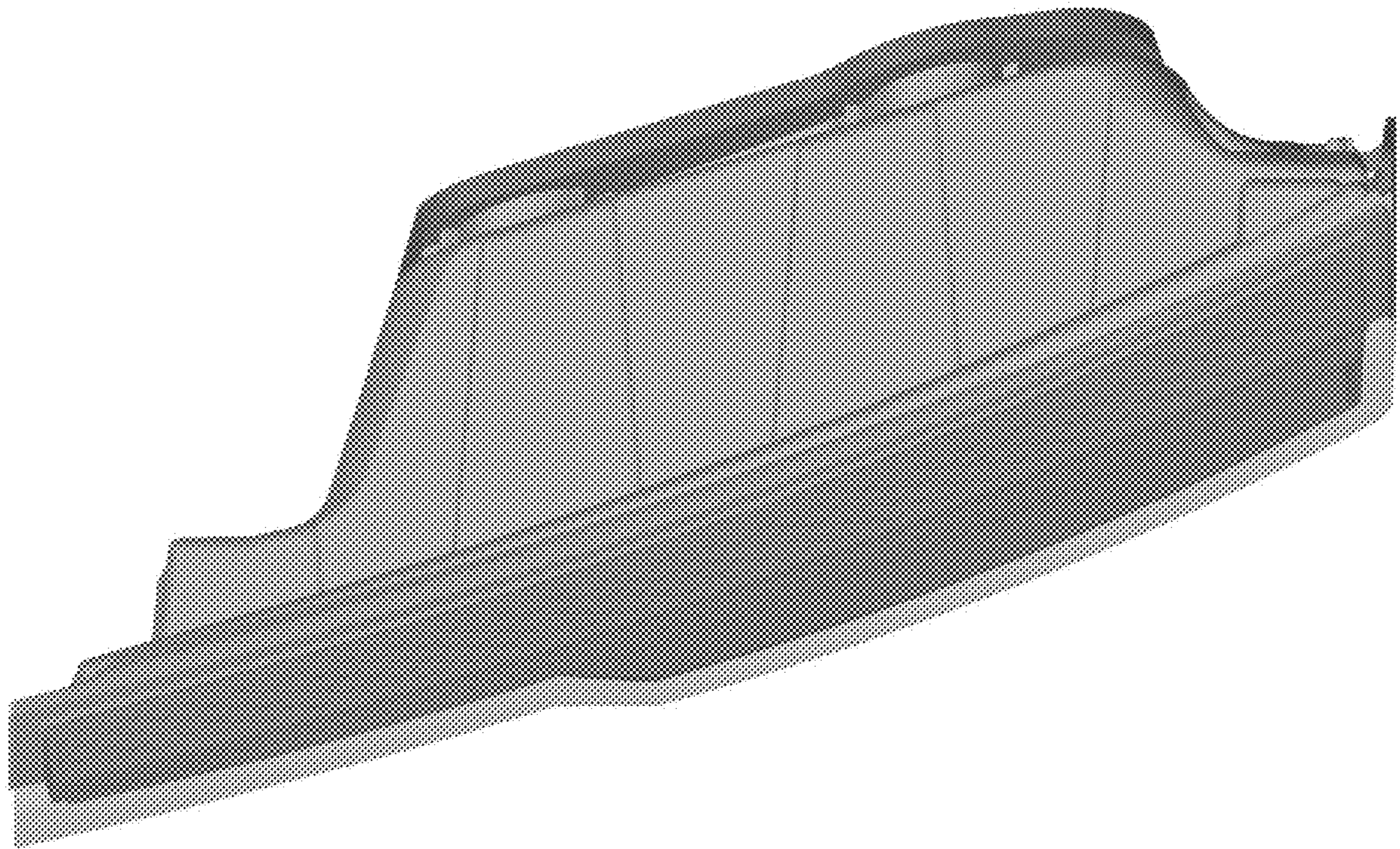
1.4



1.5



1.6



1.7

