



US00D873456S

(12) **United States Design Patent** (10) **Patent No.:** **US D873,456 S**  
**Han et al.** (45) **Date of Patent:** **\*\* Jan. 21, 2020**

(54) **REAR COMBINATION LAMP FOR AN AUTOMOBILE**  
  
(71) Applicants: **HYUNDAI MOTOR COMPANY**, Seoul (KR); **KIA MOTORS CORPORATION**, Seoul (KR)  
  
(72) Inventors: **Jae Do Han**, Yongin-si (KR); **Keon Soo Jin**, Ulsan (KR); **Min Jae Kwon**, Seoul (KR); **Sung Uk Choi**, Suwon-si (KR); **Byung Ho Kong**, Seoul (KR)  
  
(73) Assignees: **Hyundai Motor Company**, Seoul (KR); **Kia Motors Corporation**, Seoul (KR)

(\*\*) Term: **15 Years**  
  
(21) Appl. No.: **35/506,244**  
  
(22) Filed: **Jun. 18, 2018**

(80) **Hague Agreement Data**  
Int. Filing Date: **Jun. 18, 2018**  
Int. Reg. No.: **DM/101712**  
Int. Reg. Date: **Jun. 18, 2018**  
Int. Reg. Pub. Date: **Dec. 21, 2018**

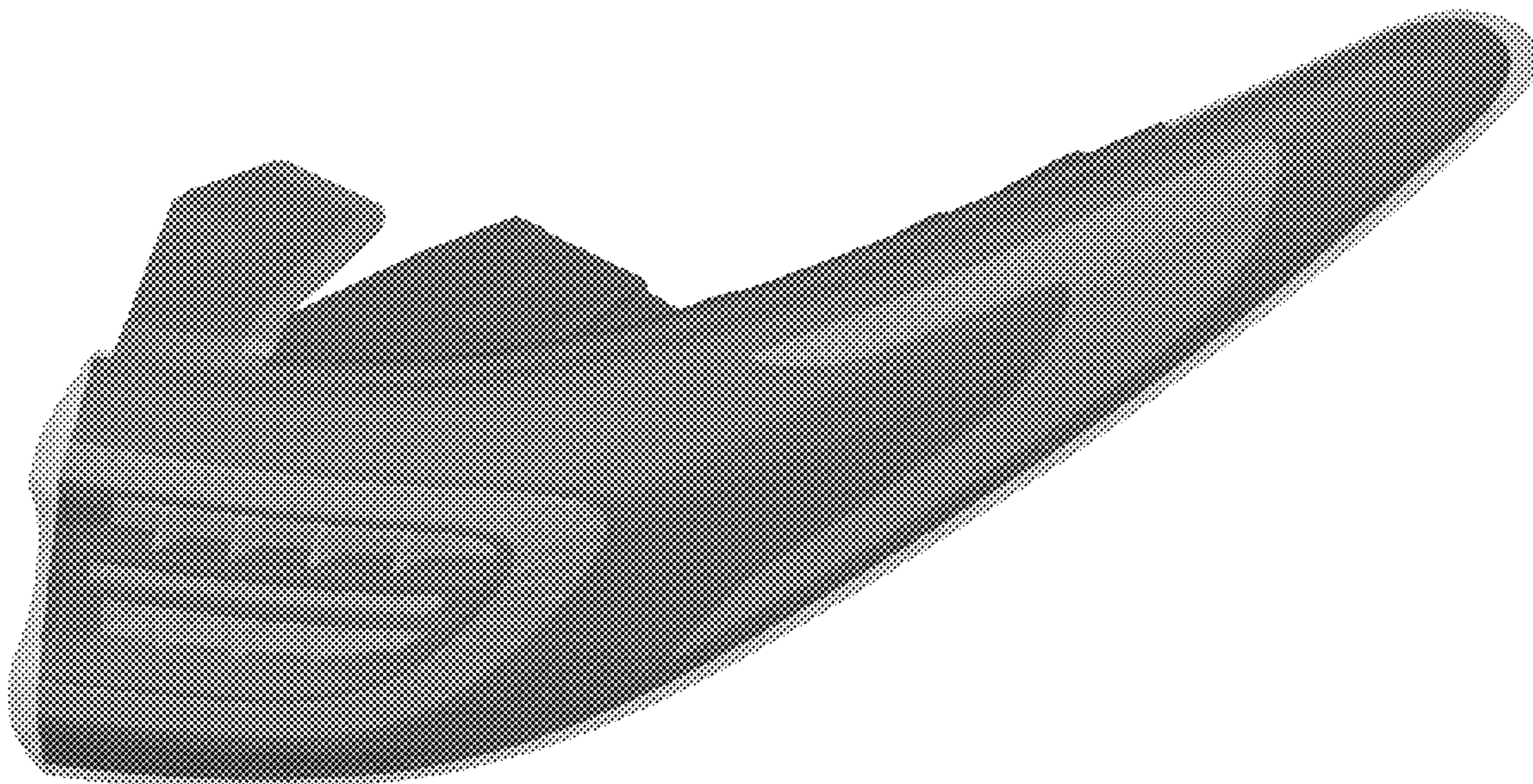
(30) **Foreign Application Priority Data**  
Apr. 13, 2018 (KR) ..... 30-2018-0017459  
(51) **LOC (12) Cl.** ..... **26-06**  
(52) **U.S. Cl.**  
USPC ..... **D26/28**  
(58) **Field of Classification Search**  
USPC ..... D12/196; D26/28, 35, 36; D21/433  
CPC .. F21S 41/00; F21S 41/20; F21S 41/30; F21S 43/14; F21S 43/15; F21S 43/20  
See application file for complete search history.

(56) **References Cited**  
**U.S. PATENT DOCUMENTS**  
D657,482 S \* 4/2012 Kong ..... D26/28  
D714,986 S \* 10/2014 Moon ..... D26/28  
D721,195 S \* 1/2015 Lim ..... D26/28  
D721,839 S \* 1/2015 Ha ..... D26/28  
D727,547 S \* 4/2015 Ha ..... D26/28  
D736,436 S \* 8/2015 Park ..... D26/28  
D749,247 S \* 2/2016 Han ..... D26/28  
D755,423 S \* 5/2016 Kong ..... D26/28  
D834,227 S \* 11/2018 Lee ..... D26/28  
D834,229 S \* 11/2018 Lee ..... D26/28  
D857,265 S \* 8/2019 Han ..... D26/28

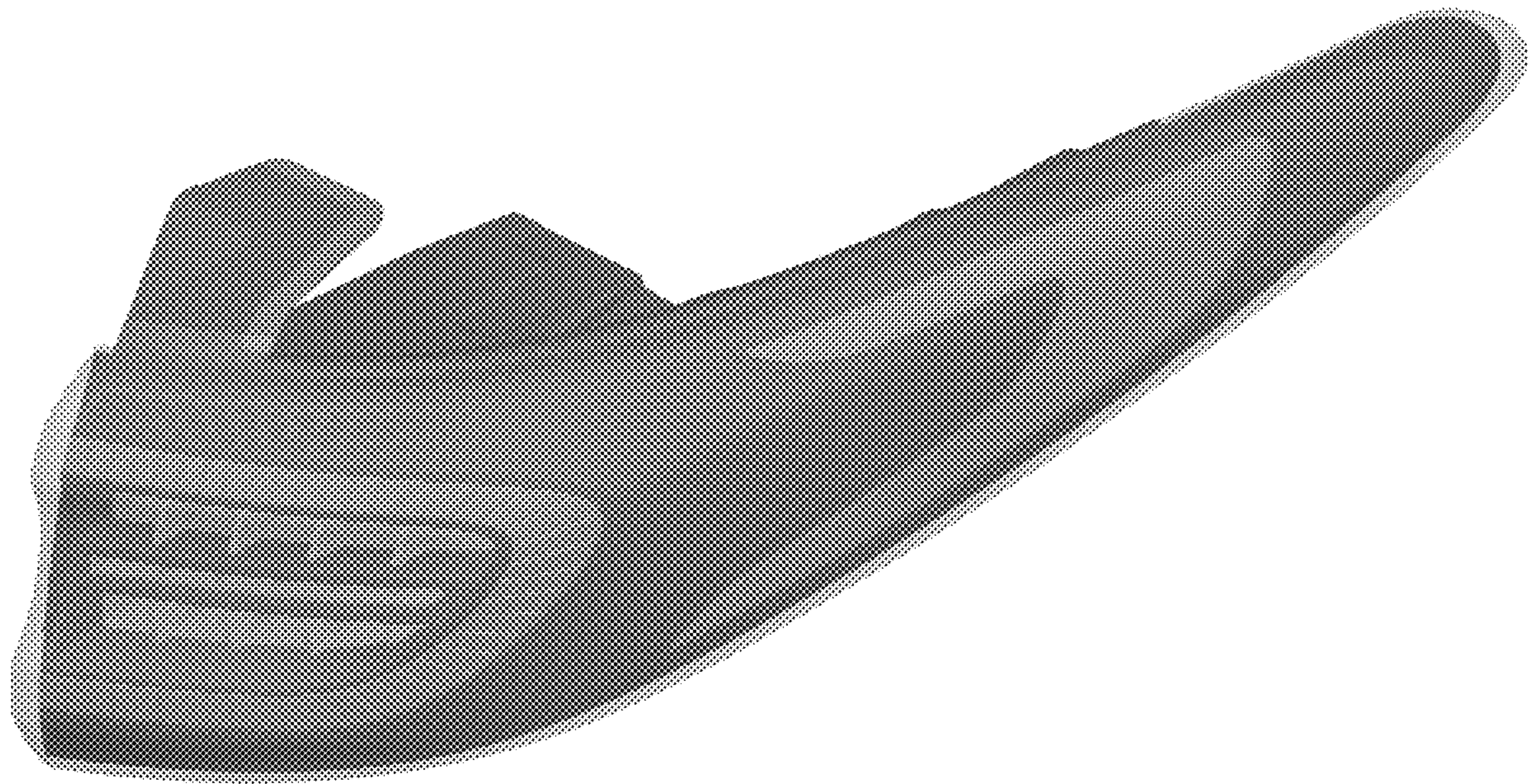
\* cited by examiner  
  
*Primary Examiner* — Robert M. Spear  
(74) *Attorney, Agent, or Firm* — Mintz Levin Cohn Ferris Glovsky and Popeo, P.C.; Peter F. Corless; Carolina E. Säve

(57) **CLAIM**  
  
The ornamental design for rear combination lamp for an automobile, as shown and described.

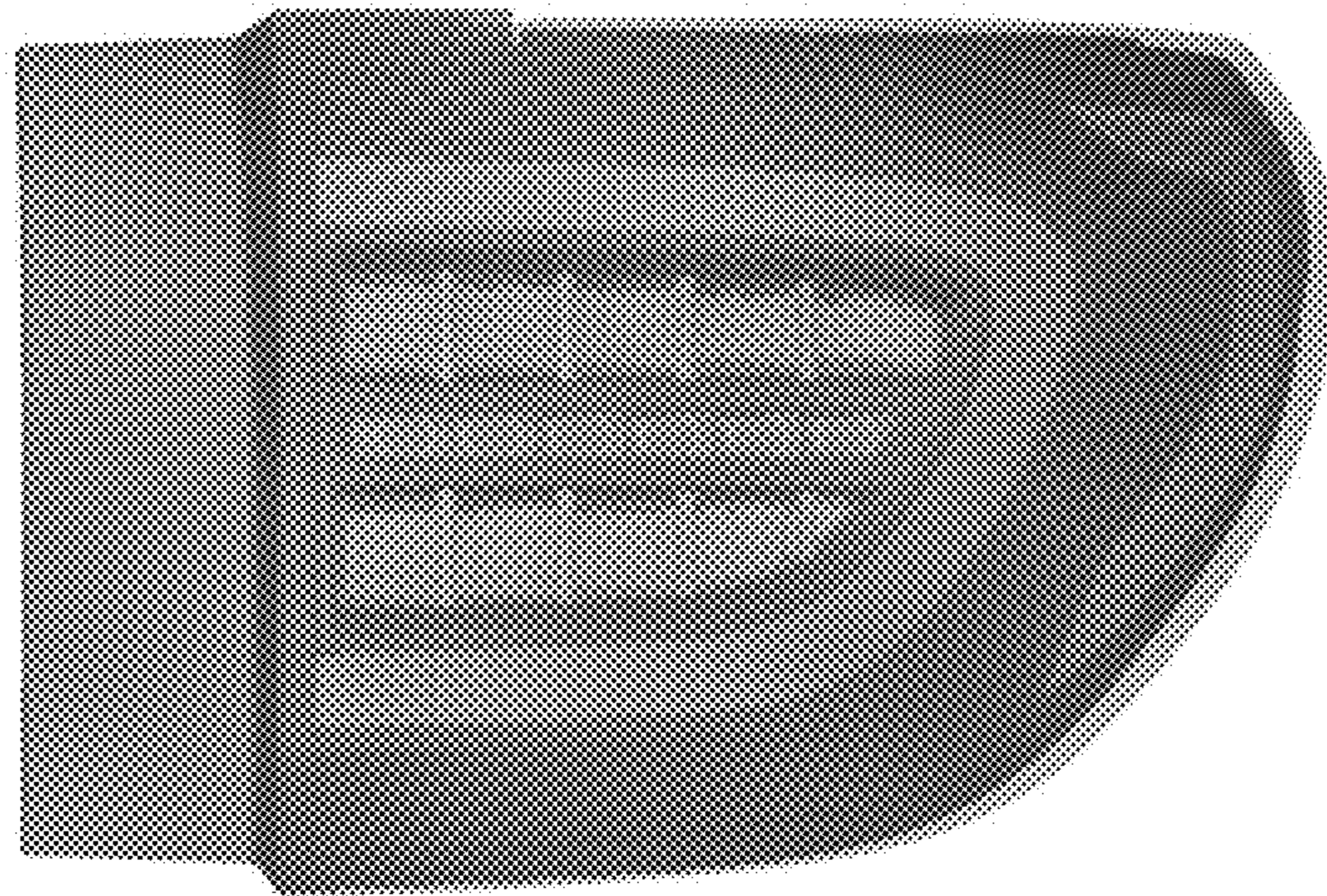
**DESCRIPTION**  
  
1. Rear combination lamp for an automobile  
1.1 : Perspective  
1.2 : Front  
1.3 : Back  
1.4 : Left  
1.5 : Right  
1.6 : Top  
1.7 : Bottom  
  
**1 Claim, 7 Drawing Sheets**



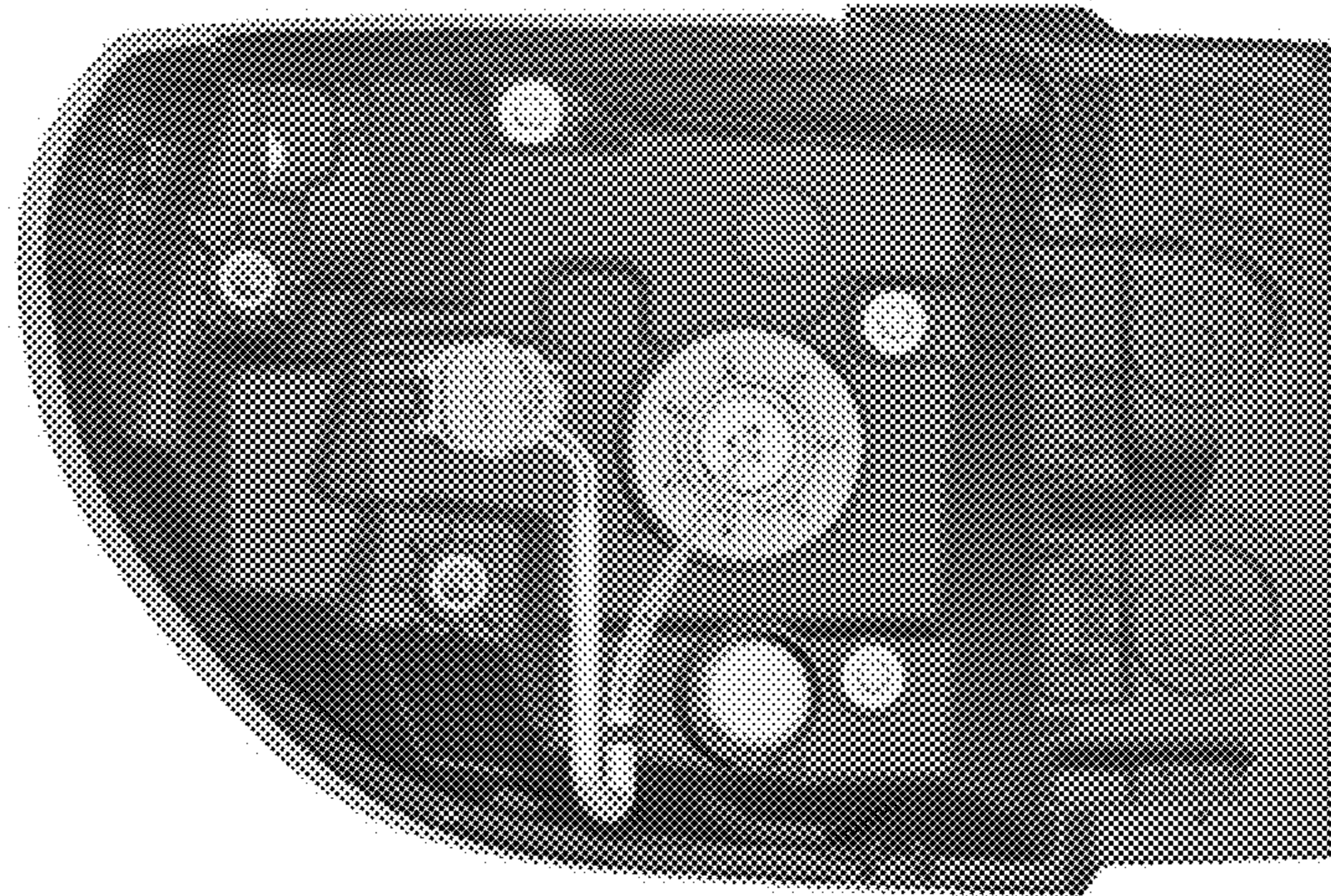
1.1



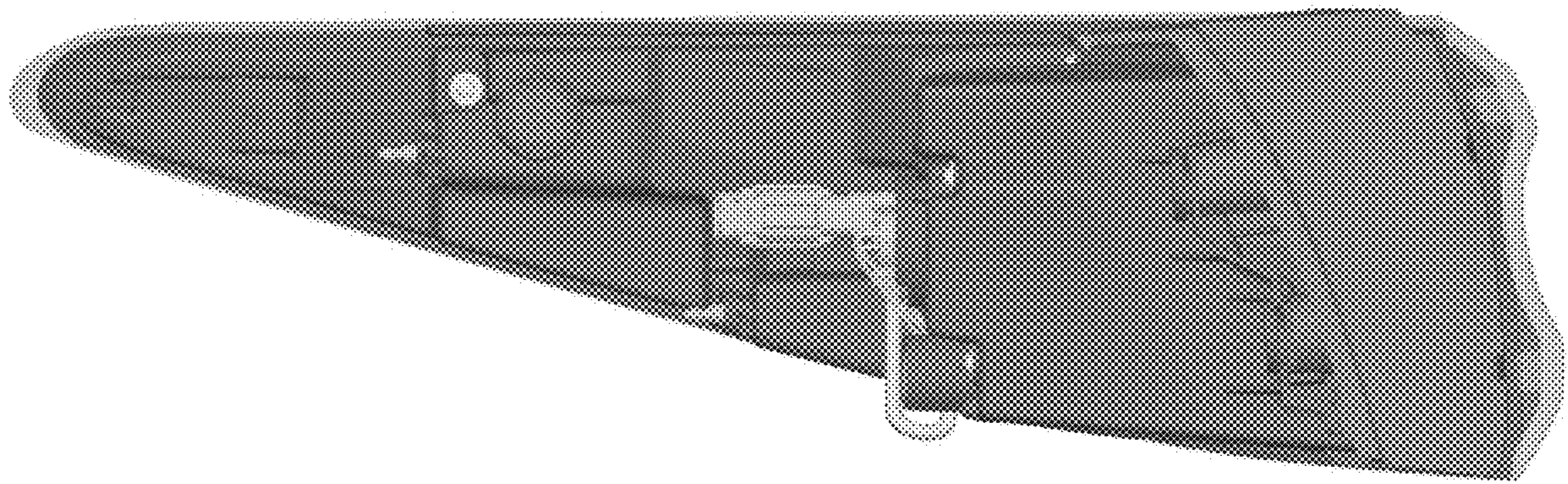
1.2



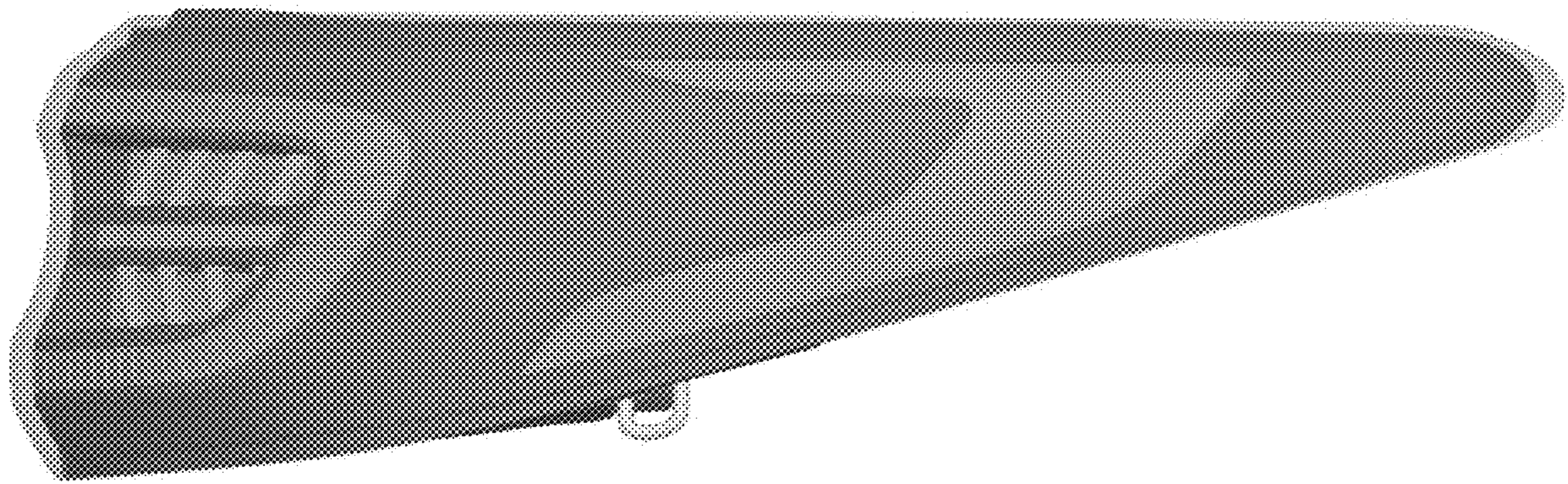
1.3



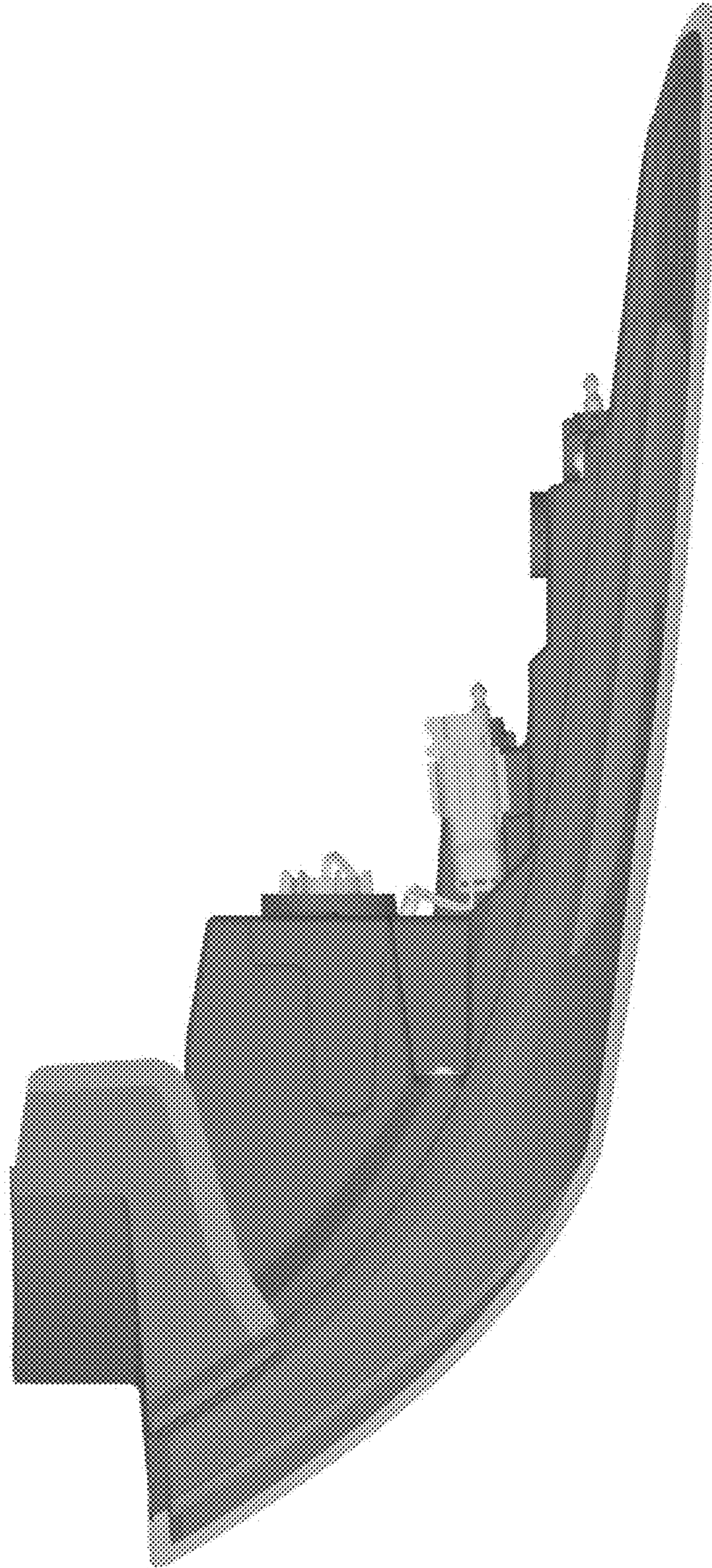
1.4



1.5



1.6



1.7

