



US00D873453S

(12) **United States Design Patent**
Grabowski

(10) **Patent No.:** **US D873,453 S**

(45) **Date of Patent:** **** Jan. 21, 2020**

(54) **BUMPER UPPER WITH CORNERING LAMP**

(71) Applicant: **Automotive Lighting LLC**, Auburn Hills, MI (US)

(72) Inventor: **William A. Grabowski**, Northville, MI (US)

(73) Assignee: **Automotive Lighting LLC**, Auburn Hills, MI (US)

(**) Term: **15 Years**

(21) Appl. No.: **29/669,383**

(22) Filed: **Nov. 7, 2018**

(51) **LOC (12) Cl.** **26-06**

(52) **U.S. Cl.**
USPC **D26/28**

(58) **Field of Classification Search**
USPC D26/28-36; 345/459-468, 475-478, 345/485-487
CPC F21S 48/00; F21S 48/10; F21S 48/115; F21S 48/225; F21S 48/1233; F21S 48/1266; F21S 48/1388; F21S 48/2268; F21V 21/04
See application file for complete search history.

(56) **References Cited**

U.S. PATENT DOCUMENTS

D677,813 S *	3/2013	Hanaoka	D26/28
D711,024 S *	8/2014	Kuwano	D26/28
D736,971 S *	8/2015	Duff	D26/28
D765,290 S *	8/2016	Adams	D26/28
D782,711 S *	3/2017	Dunshee	D26/28

D793,592 S *	8/2017	Chen	D26/28
D798,475 S *	9/2017	Georgitsis	D26/28
D839,458 S *	1/2019	Ting	D26/28
D843,620 S *	3/2019	LaMarche	D26/28
D854,204 S *	7/2019	Ting	D26/28
D855,844 S *	8/2019	Peng	D26/28
D857,258 S *	8/2019	Lin	D26/28

* cited by examiner

Primary Examiner — Angela J Lee

(74) *Attorney, Agent, or Firm* — Howard & Howard Attorneys PLLC

(57) **CLAIM**

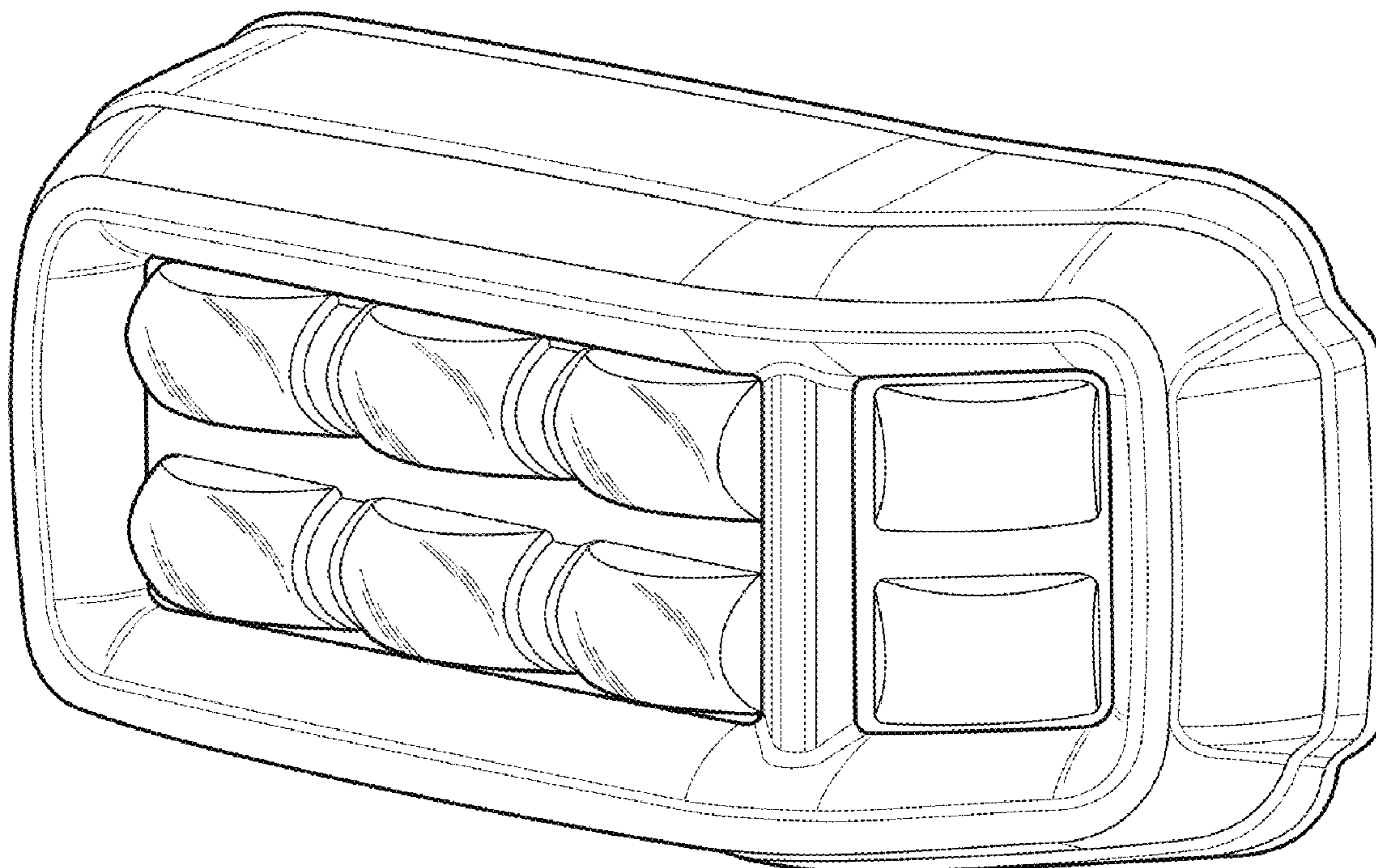
The ornamental design for a bumper upper with cornering lamp, as shown and described.

DESCRIPTION

FIG. 1 is a front perspective view of the bumper upper with cornering lamp design of the present invention;
FIG. 2 is a rear perspective view of the bumper upper with cornering lamp design of the present invention;
FIG. 3 is a front view of the bumper upper with cornering lamp design of the present invention;
FIG. 4 is a top view of the bumper upper with cornering lamp design of the present invention;
FIG. 5 is a bottom view of the bumper upper with cornering lamp design of the present invention;
FIG. 6 is a side view of the bumper upper with cornering lamp design of the present invention; and,
FIG. 7 is an opposite side view of the bumper upper with cornering lamp design of the present invention.

The broken lines shown in the drawings represent portions of the bumper upper with cornering lamp that form no part of the claimed design.

1 Claim, 3 Drawing Sheets



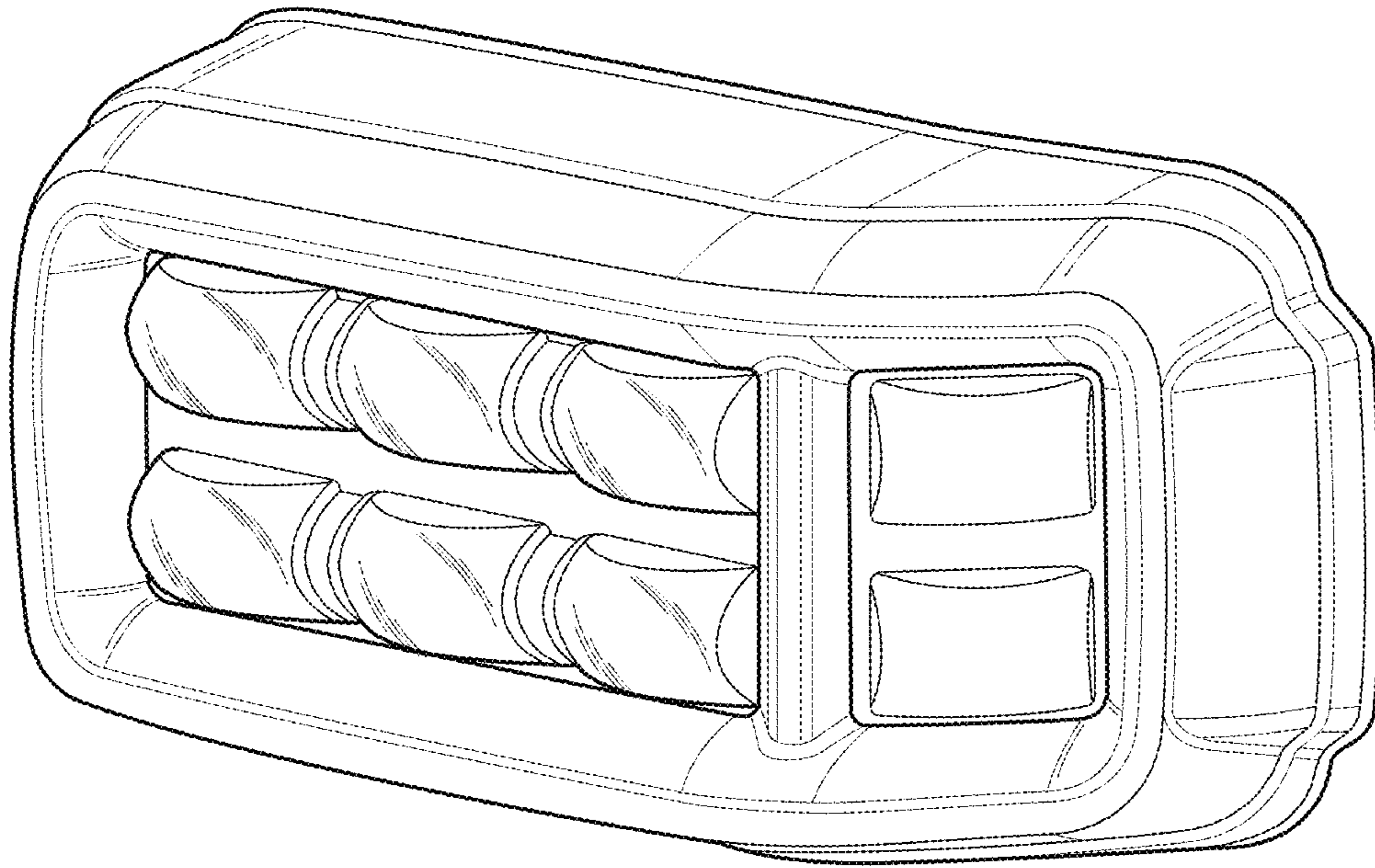


FIG. 1

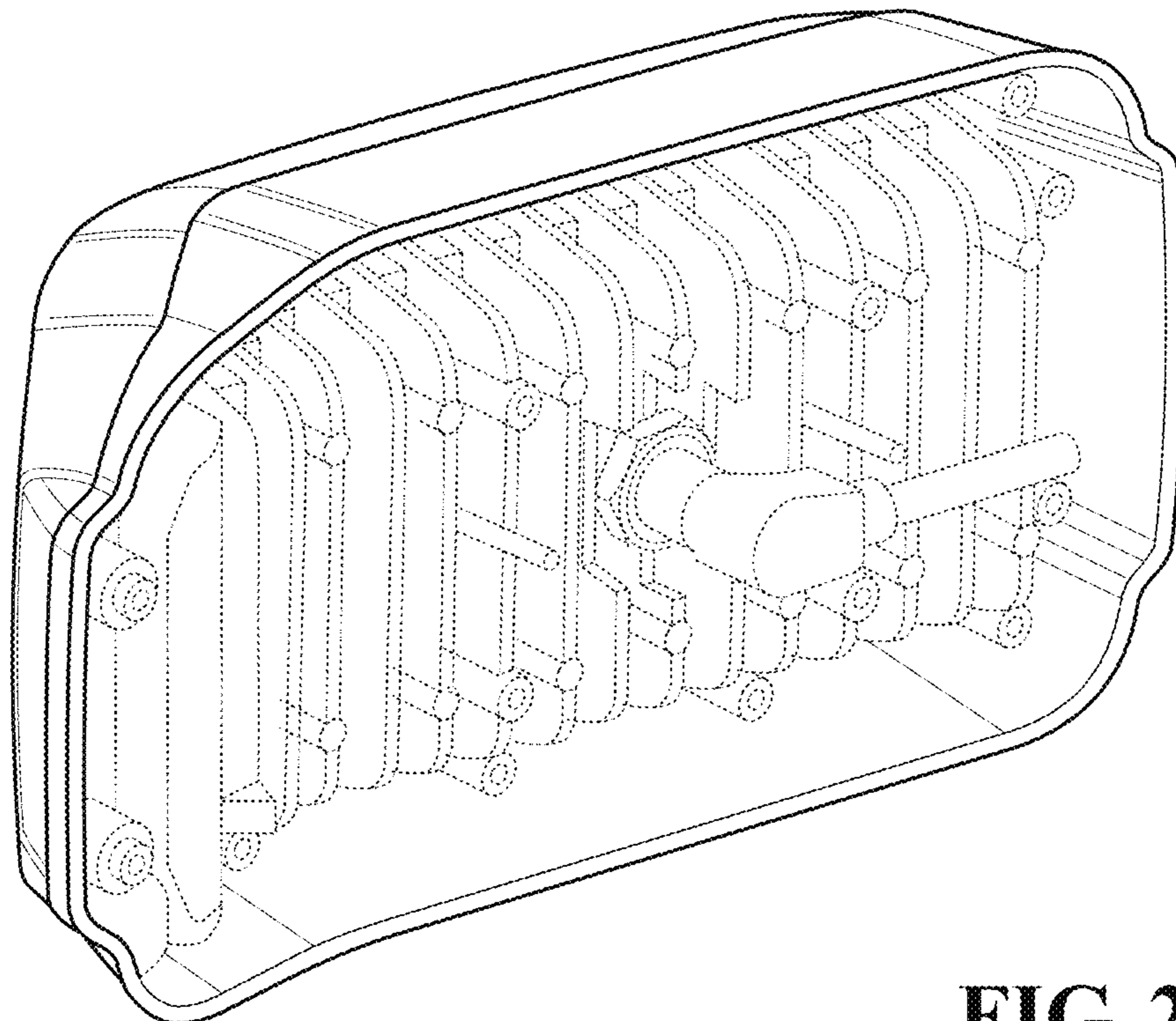


FIG. 2

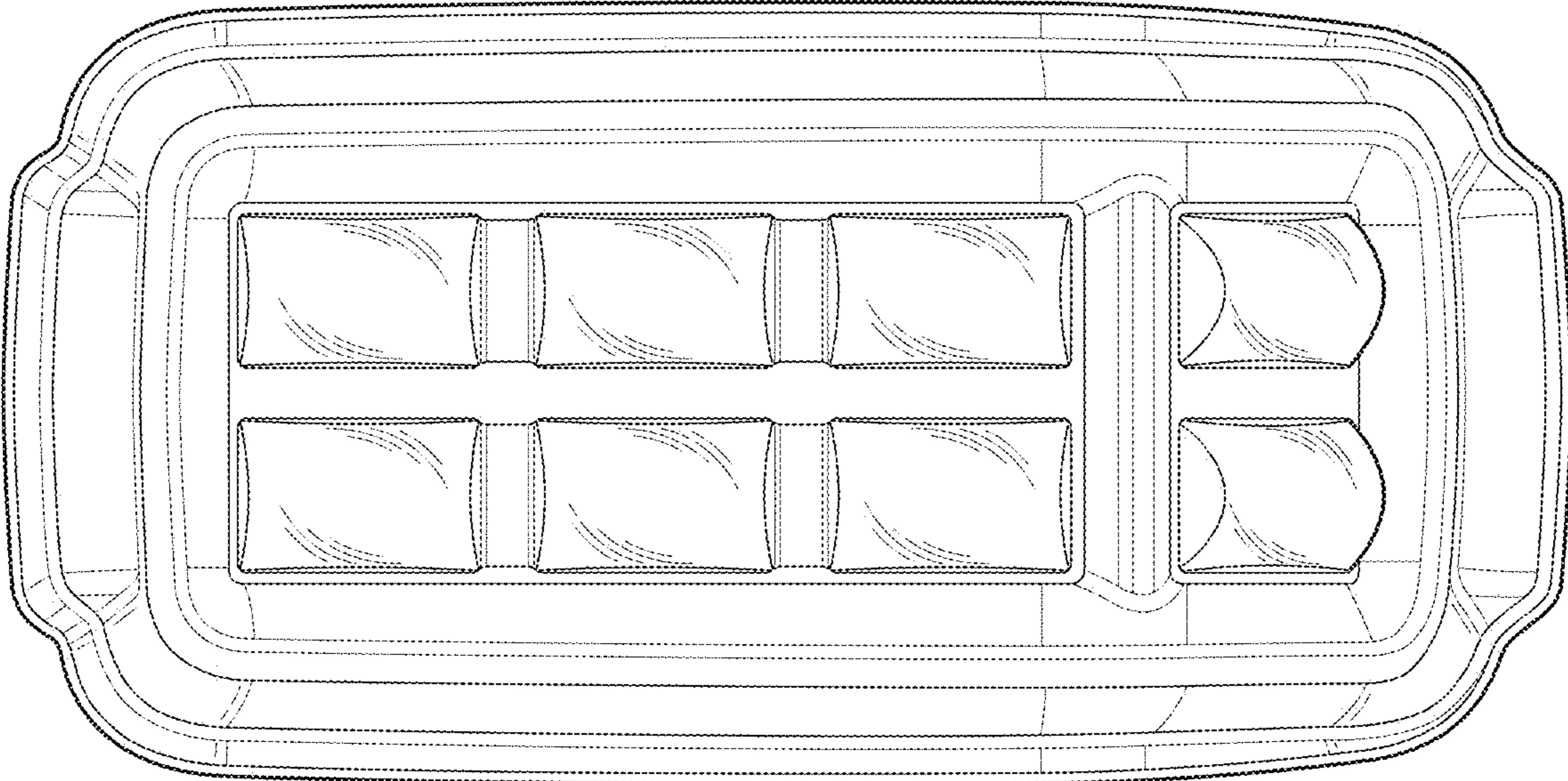


FIG. 3

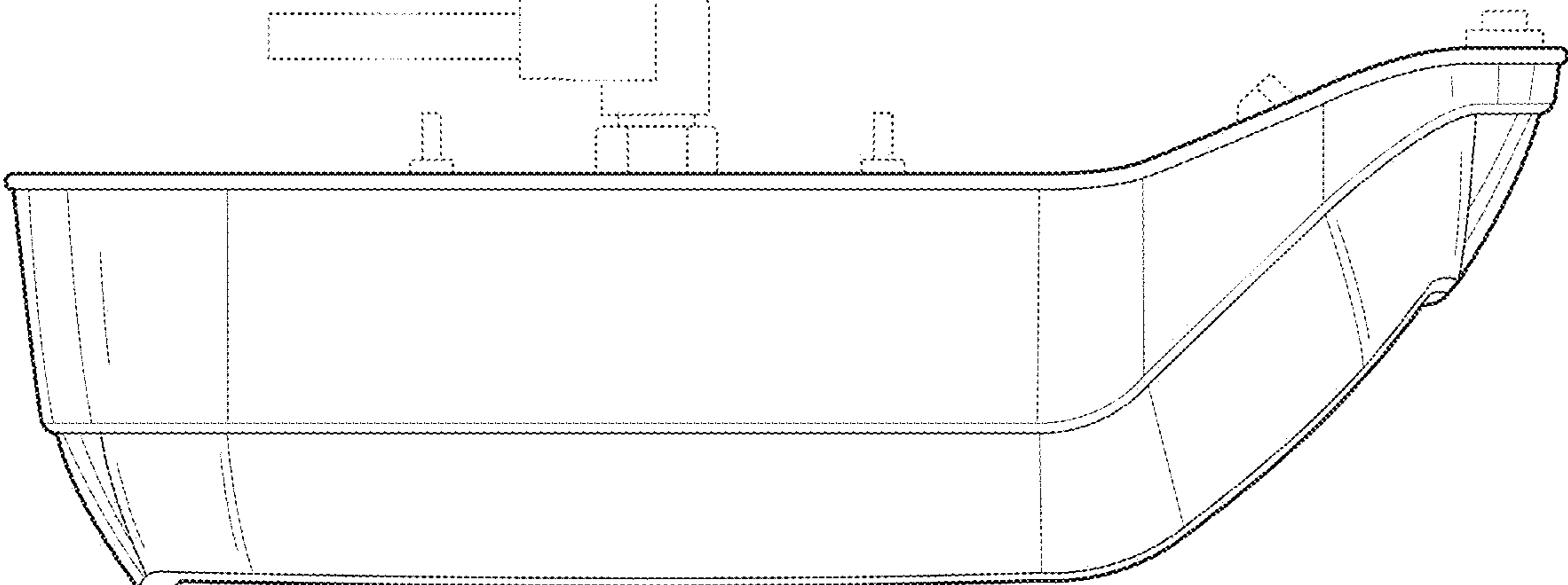


FIG. 4

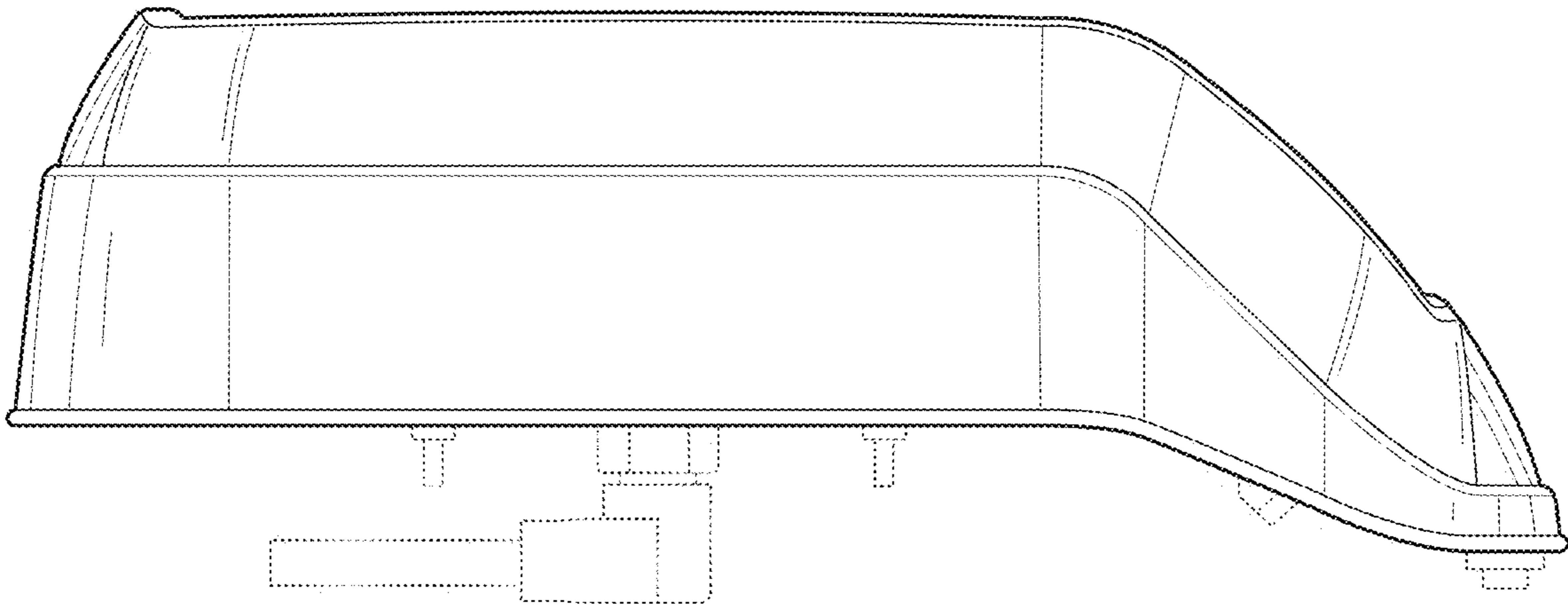


FIG. 5

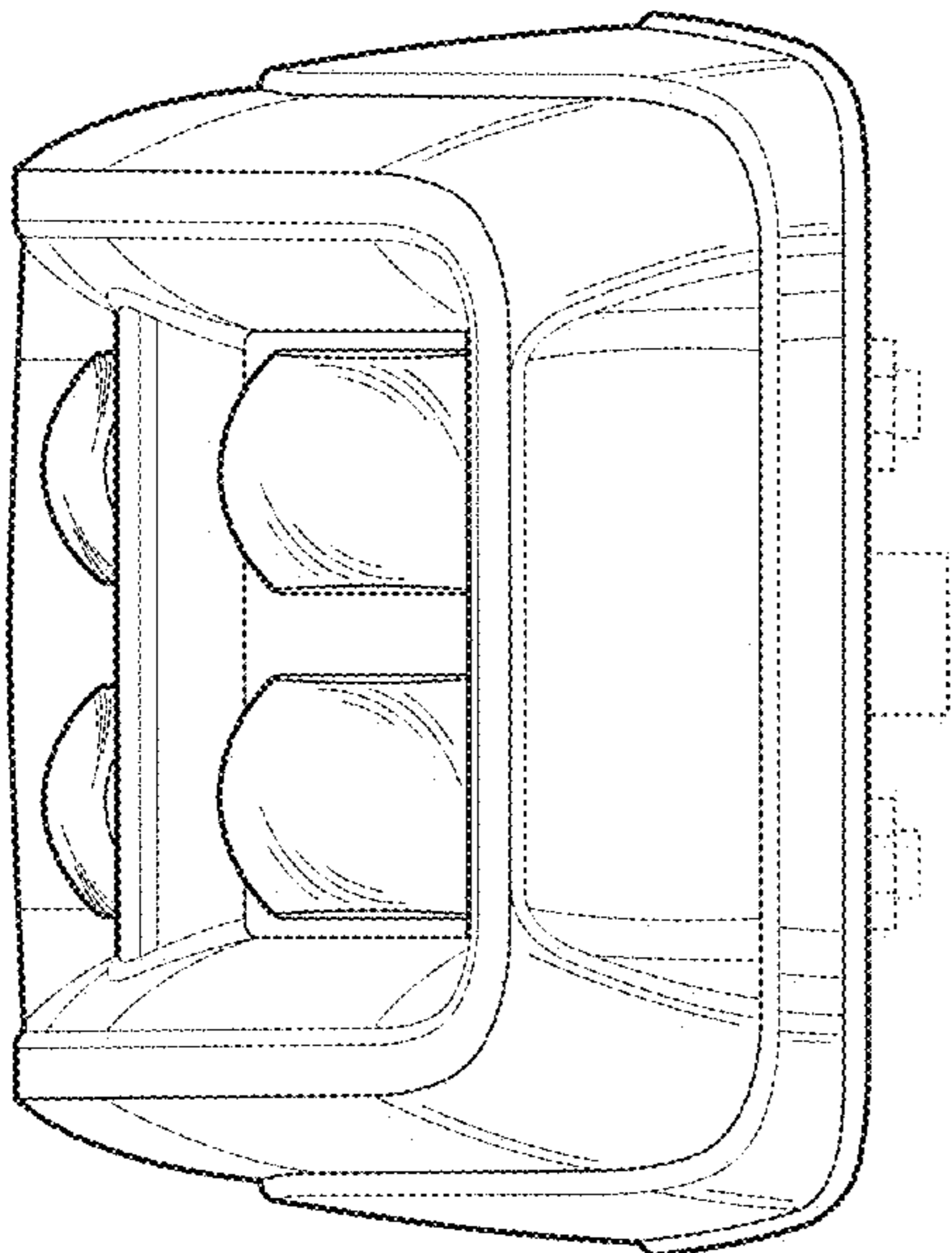


FIG. 6

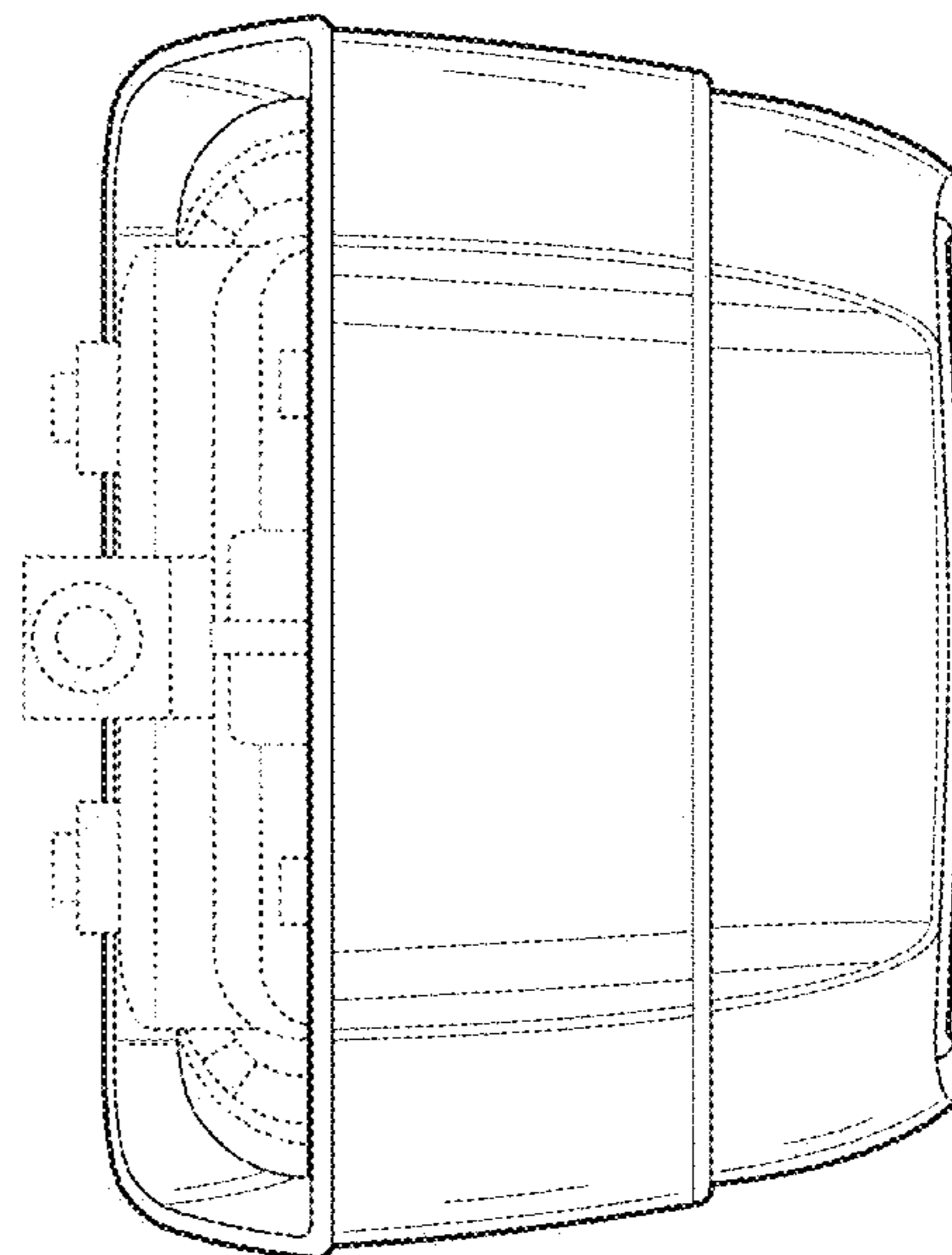


FIG. 7