



US00D873452S

(12) **United States Design Patent**
Lin

(10) **Patent No.:** **US D873,452 S**
(45) **Date of Patent:** **** Jan. 21, 2020**

(54) **VEHICLE HEADLIGHT**
(71) Applicant: **KUEN HWA TRAFFIC INDUSTRIAL CO., LTD.**, Tainan (TW)
(72) Inventor: **Chung-I Lin**, Hsinchu (TW)
(73) Assignee: **Kuen Hwa Traffic Industrial Co., Ltd.**, Tainan (TW)

D642,711 S * 8/2011 Schneider D26/28
D681,243 S * 4/2013 Tsai D26/28
D747,518 S * 1/2016 Lai D26/28
D770,648 S * 11/2016 Lai D26/28
D787,718 S * 5/2017 Lai D26/28
D800,931 S * 10/2017 Lai D26/28
D807,547 S * 1/2018 Lin D26/28
D843,029 S * 3/2019 Lee D26/28
D845,521 S * 4/2019 Binder D26/28
D850,670 S * 6/2019 Lai D26/28
D852,391 S * 6/2019 Chen D26/28

(**) Term: **15 Years**

* cited by examiner

(21) Appl. No.: **29/668,825**

Primary Examiner — Angela J Lee

(22) Filed: **Nov. 2, 2018**

(74) *Attorney, Agent, or Firm* — Rosenberg, Klein & Lee

(51) **LOC (12) Cl.** **26-06**

(57) **CLAIM**

(52) **U.S. Cl.**
USPC **D26/28**

The ornamental design for a vehicle headlight, as shown and described.

(58) **Field of Classification Search**
USPC D26/28-36; 362/459-468, 475-478, 362/485-487
CPC F21S 48/00; F21S 48/10; F21S 48/115; F21S 48/225; F21S 48/1233; F21S 48/1266; F21S 48/1388; F21S 48/2268; F21V 21/04
See application file for complete search history.

DESCRIPTION

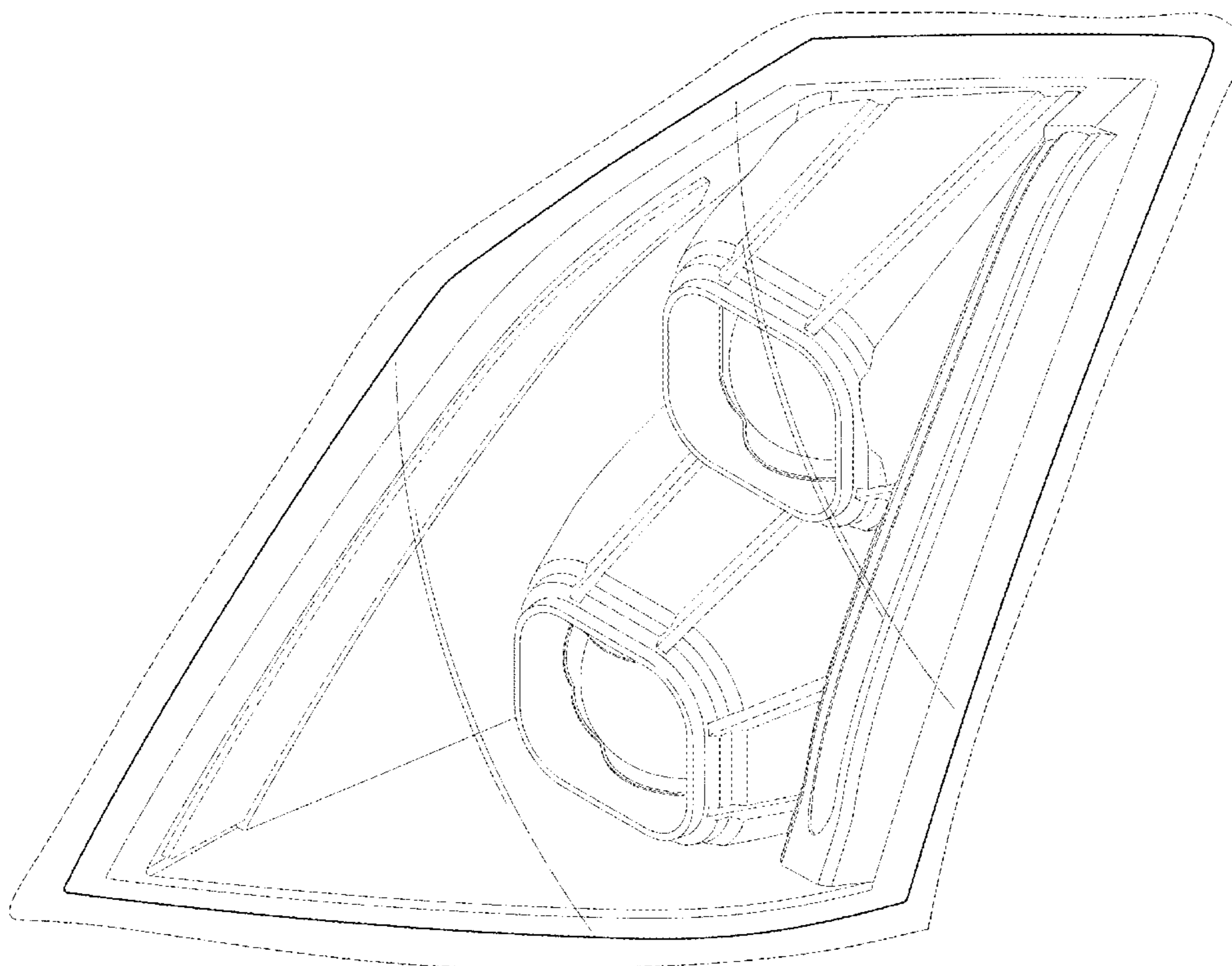
FIG. 1 is a perspective view of a vehicle headlight showing my present design;
FIG. 2 is a front view thereof;
FIG. 3 is a right view thereof;
FIG. 4 is a top plan view thereof; and,
FIG. 5 is another perspective view thereof.
The broken lines in the drawings illustrate portions of the vehicle headlight and form no part of the claimed design.

(56) **References Cited**

U.S. PATENT DOCUMENTS

D486,255 S * 2/2004 Yoneyama D26/28
D525,731 S * 7/2006 Hovind D26/28

1 Claim, 5 Drawing Sheets



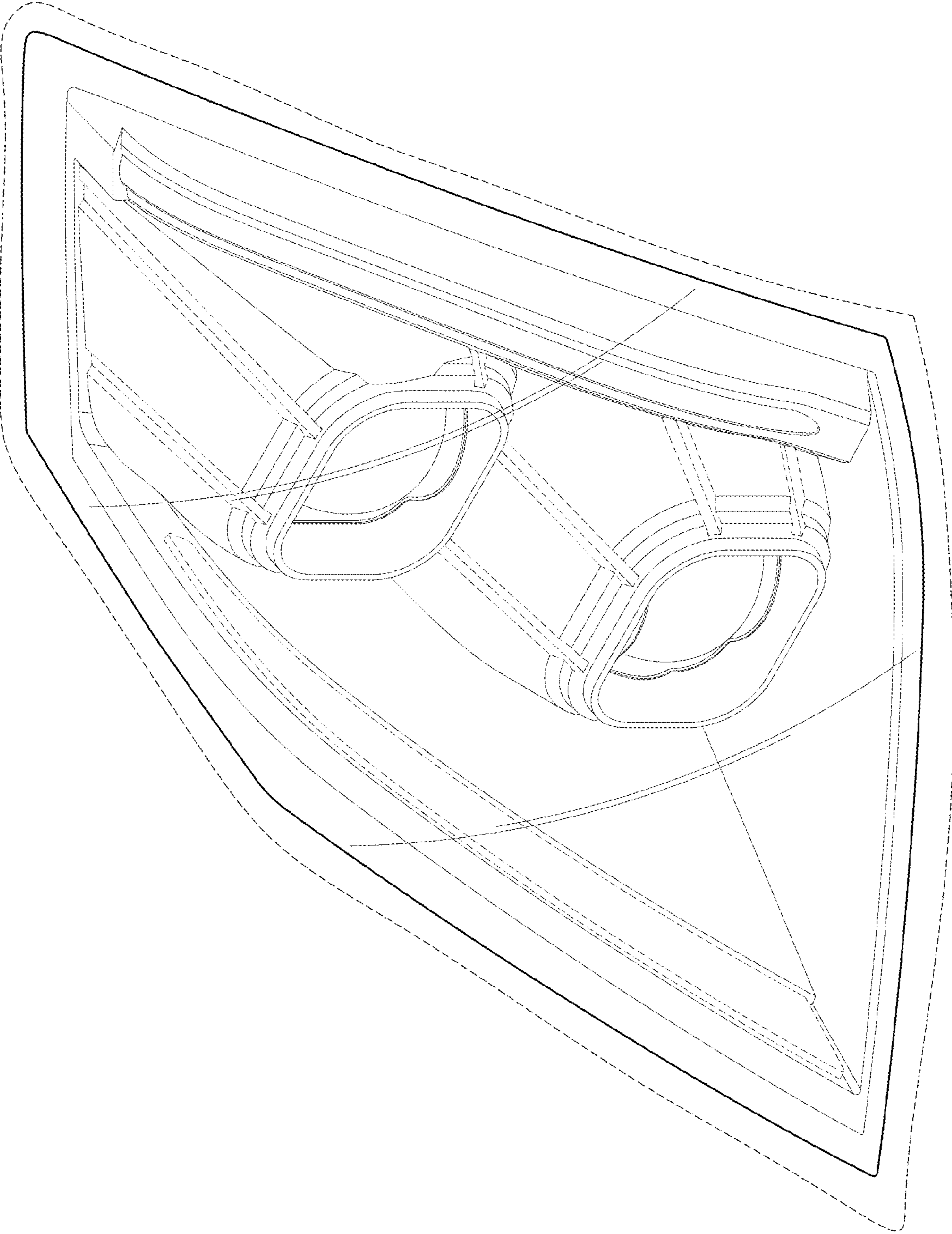


FIG. 1

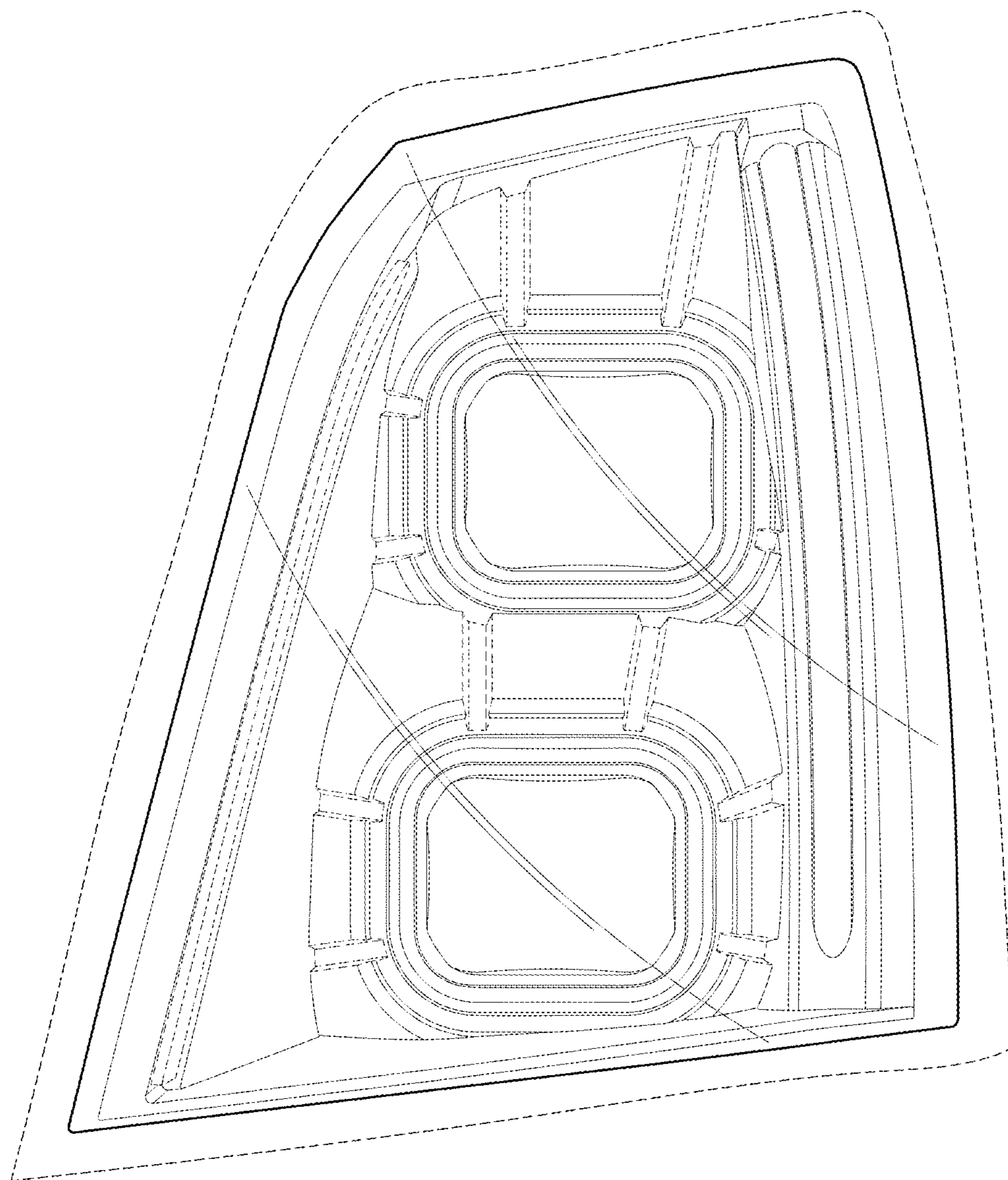


FIG. 2

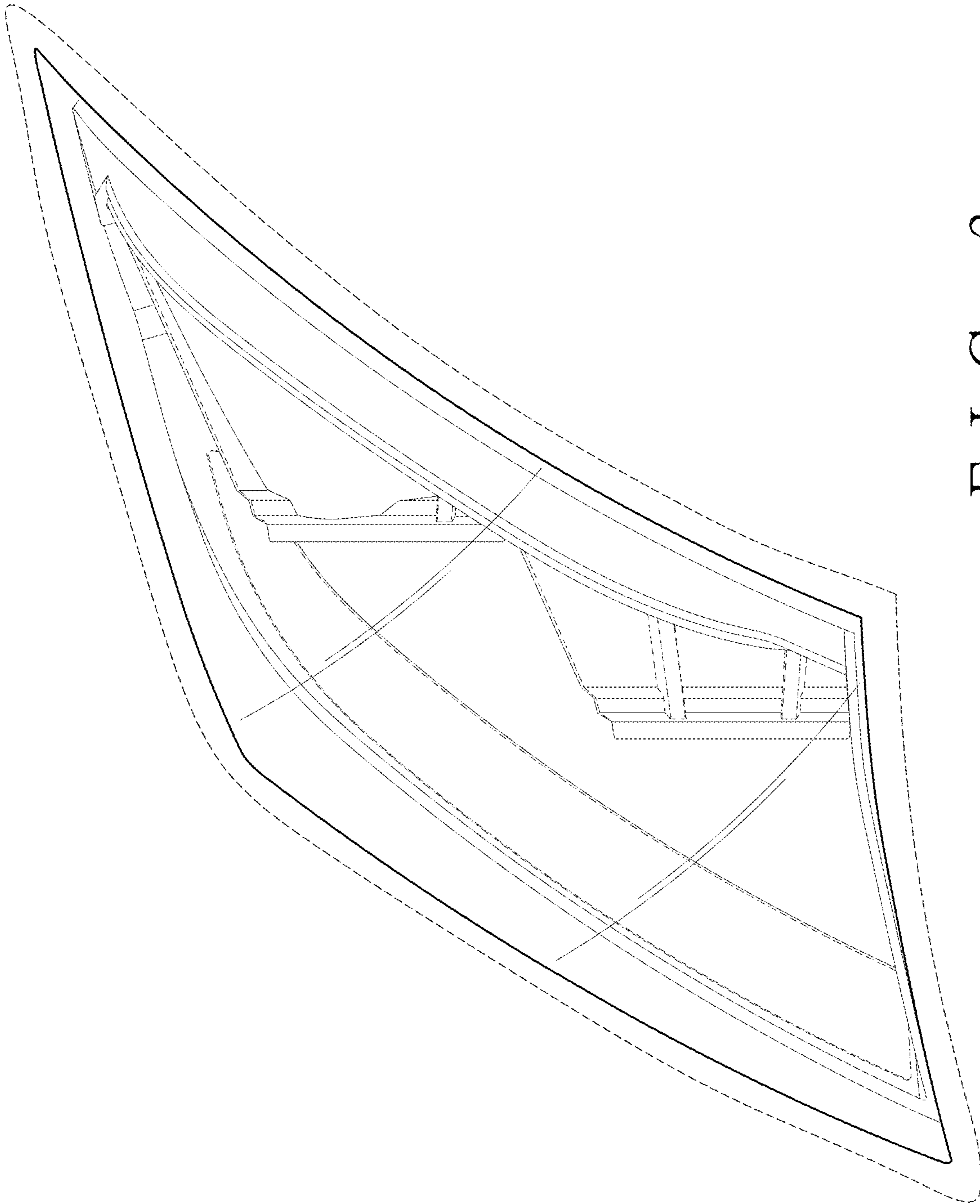


FIG. 3

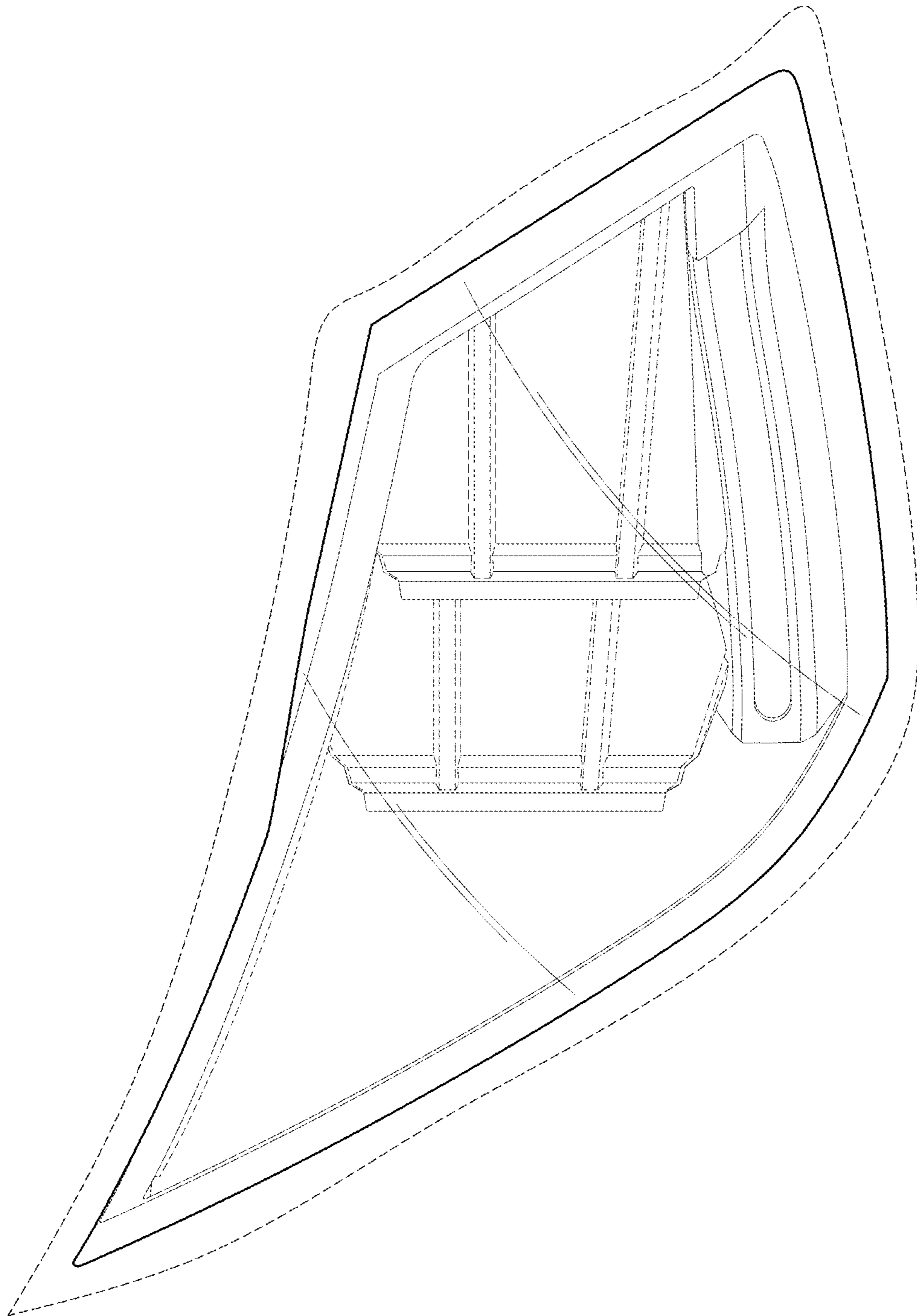


FIG . 4

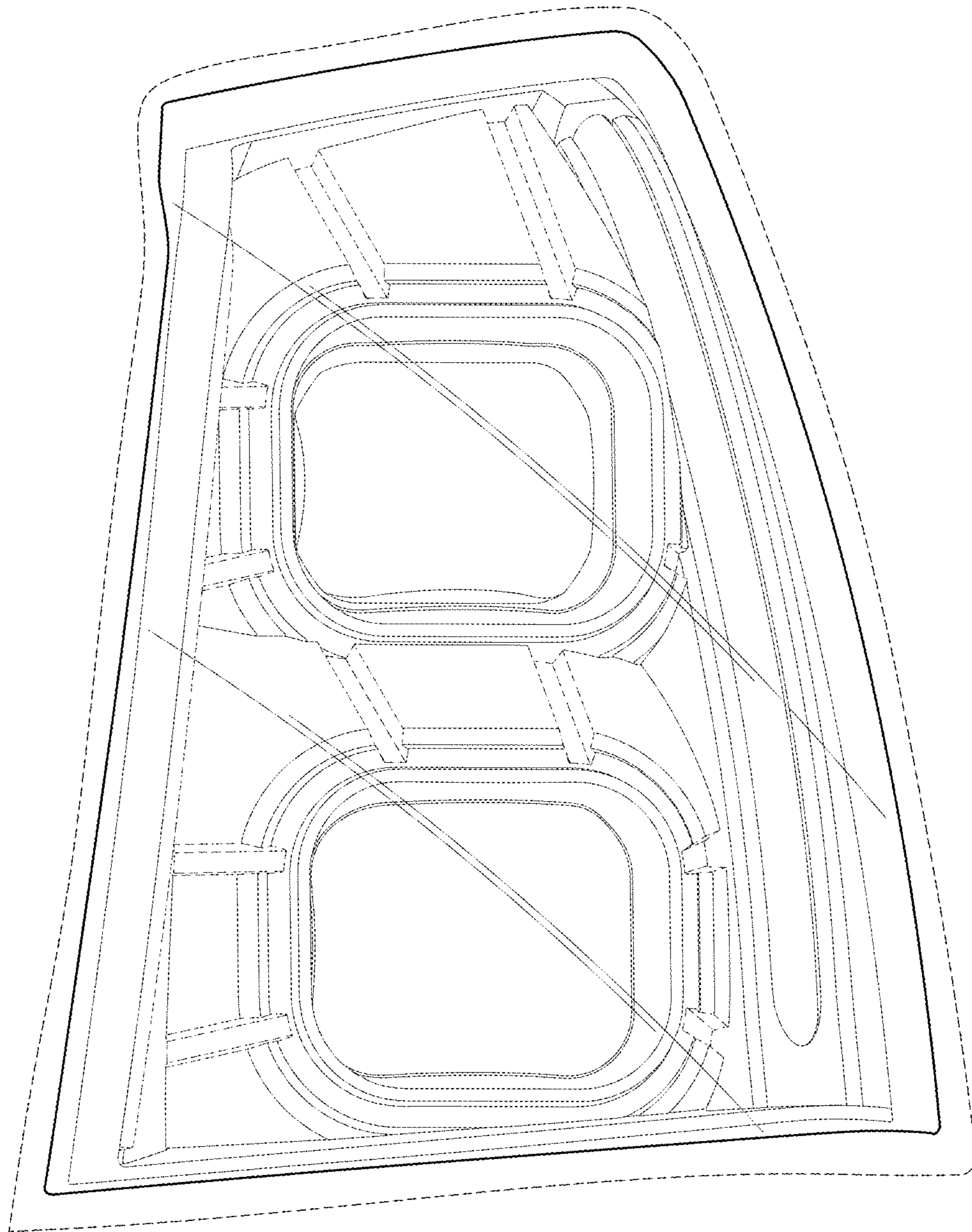


FIG. 5