



US00D873450S

(12) **United States Design Patent**
Chen et al.

(10) **Patent No.:** **US D873,450 S**

(45) **Date of Patent:** **** Jan. 21, 2020**

(54) **LIGHTHEAD FOR VEHICLE**

(71) Applicant: **Juluen Enterprise Co., Ltd.**, New Taipei (TW)

(72) Inventors: **Lung-Yuan Chen**, Taipei (TW);
Wen-Chieh Wu, New Taipei (TW)

(73) Assignee: **Juluen Enterprise Co., Ltd.**, New Taipei (TW)

(**) Term: **15 Years**

(21) Appl. No.: **29/630,197**

(22) Filed: **Dec. 20, 2017**

(51) **LOC (12) Cl.** **26-06**

(52) **U.S. Cl.**
USPC **D26/28**

(58) **Field of Classification Search**
USPC D26/28, 31, 74, 76, 120, 122, 128
CPC B60Q 1/2611; B60Q 1/268; B60Q 1/52
See application file for complete search history.

(56) **References Cited**

U.S. PATENT DOCUMENTS

D385,982 S *	11/1997	Moore	D26/28
D407,168 S *	3/1999	Arakelian	D26/28
D451,218 S *	11/2001	Bernier	D26/28
6,966,682 B2 *	11/2005	Frank	B60Q 1/2611 362/185
D532,919 S *	11/2006	Handsaker	D26/80
D612,977 S *	3/2010	Chen	D26/128
D615,223 S *	5/2010	Huang	D26/28
D618,572 S *	6/2010	Shin	D10/114.1
D667,987 S *	9/2012	Cai	D26/122
D710,726 S *	8/2014	Neufeglise	D10/114.4
D711,026 S *	8/2014	Haumann	D26/31
D740,471 S *	10/2015	Yu	D26/28
D740,999 S *	10/2015	Yu	D26/120
D759,272 S *	6/2016	Fan	D26/28
9,487,131 B2 *	11/2016	Neufeglise	B60Q 1/268

D780,964 S *	3/2017	Roach	D26/28
D788,955 S *	6/2017	Yu	D26/28
D795,486 S *	8/2017	Goltche	D26/74
D797,364 S *	9/2017	Deyaf	D26/120
D825,368 S *	8/2018	Kuo	D10/114.1
D838,028 S *	1/2019	Lang	D26/76

OTHER PUBLICATIONS

“Cell2—Edge Saber.” Found online Jul. 24, 2019 at www.cell2.com. Page archived Jul. 7, 2017. Retrieved from URL: <https://web.archive.org/web/20170707110905/https://www.cell2.com/edgesaber.aspx> (Year: 2017).*

“Juluen Edge Saber.” Found online Jul. 24, 2019 at www.juluen.com.tw. Page archived Jan. 29, 2018. Retrieved from URL: <https://web.archive.org/web/20180129062306/http://www.juluen.com.tw/product-info.php?id=89> (Year: 2018).*

* cited by examiner

Primary Examiner — Mary Ann Calabrese

Assistant Examiner — Katelin G Kloberg

(74) *Attorney, Agent, or Firm* — Winston Hsu

(57) **CLAIM**

The ornamental design for a lighthead for vehicle, as shown and described.

DESCRIPTION

FIG. 1 is a perspective view of a lighthead for vehicle showing our new design;

FIG. 2 is a front view thereof;

FIG. 3 is a rear view thereof;

FIG. 4 is a left side view thereof;

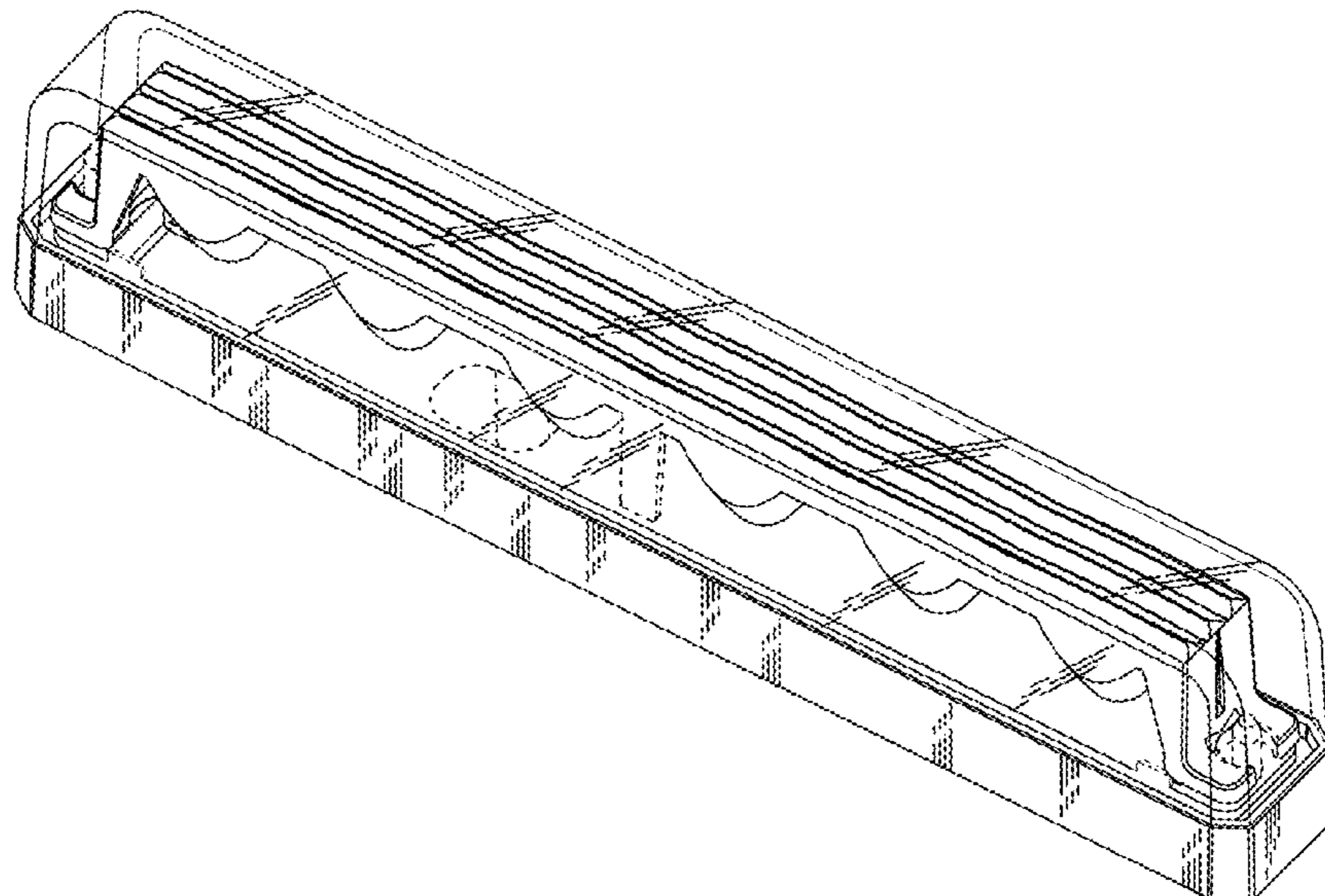
FIG. 5 is a right side view thereof;

FIG. 6 is a top view thereof; and,

FIG. 7 is a bottom view thereof.

The broken lines depict portions of the lighthead for vehicle that form no part of the claimed design.

1 Claim, 4 Drawing Sheets



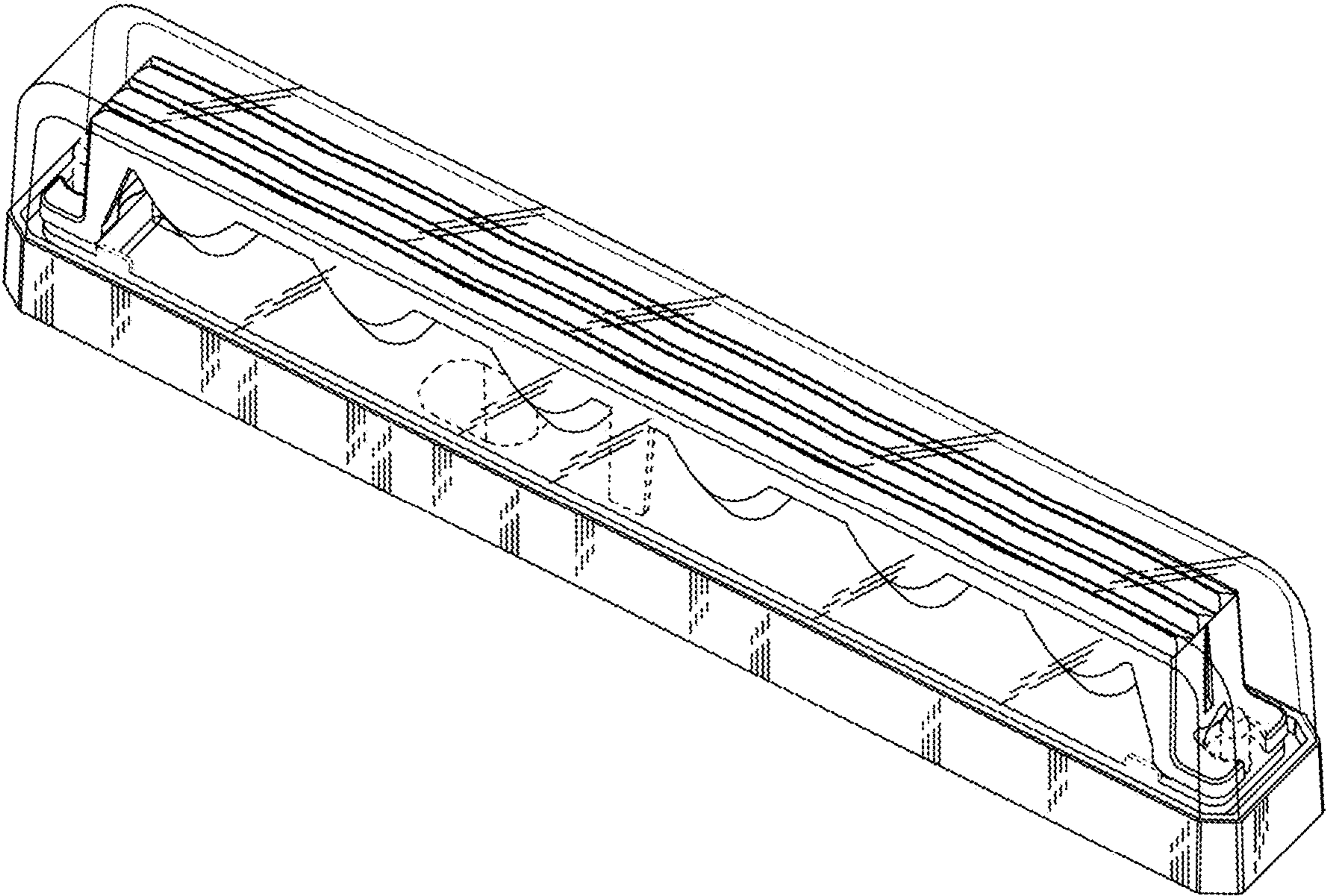


FIG. 1

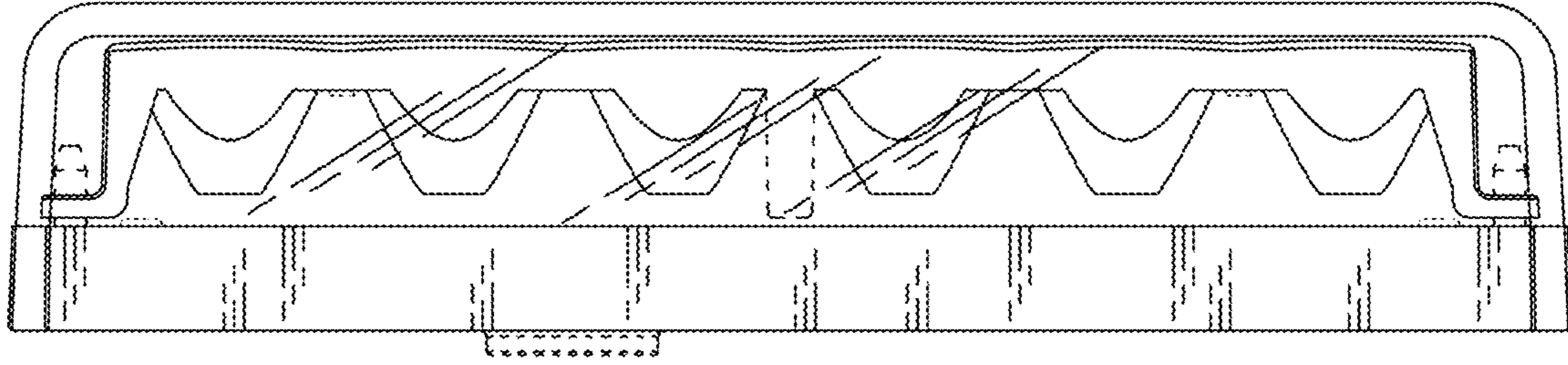


FIG. 2

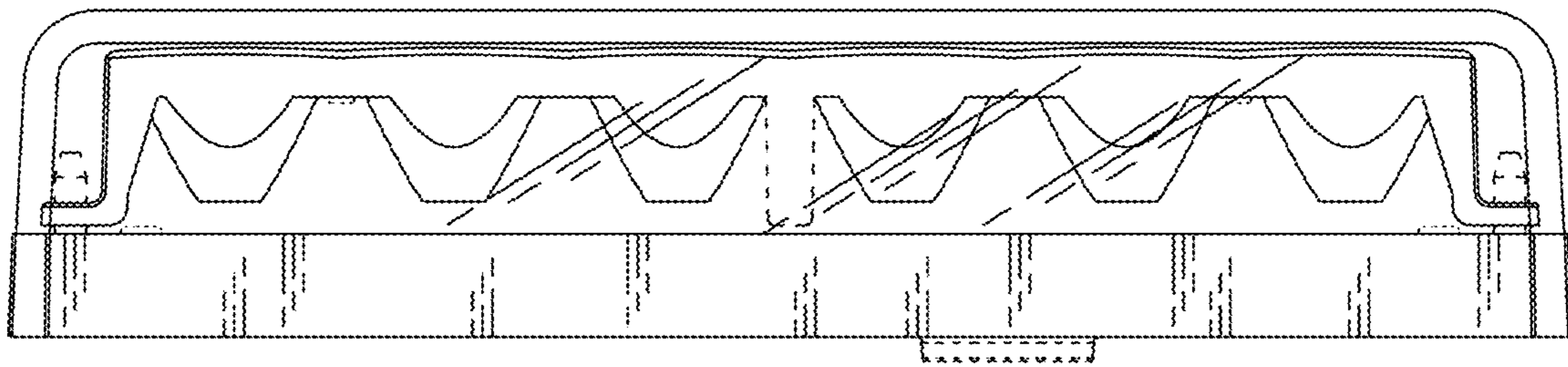


FIG. 3

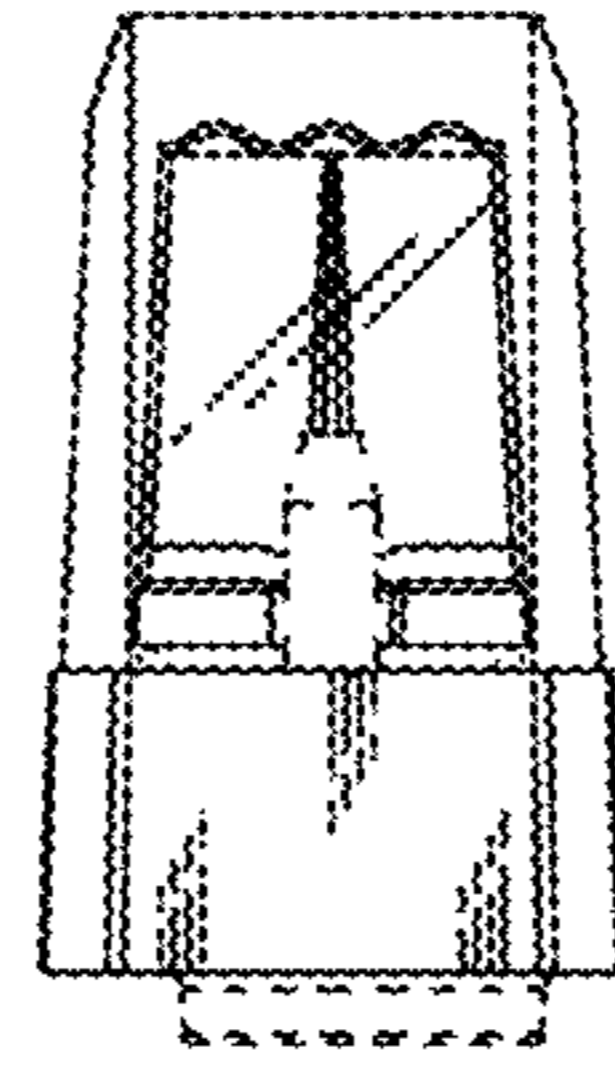


FIG. 4

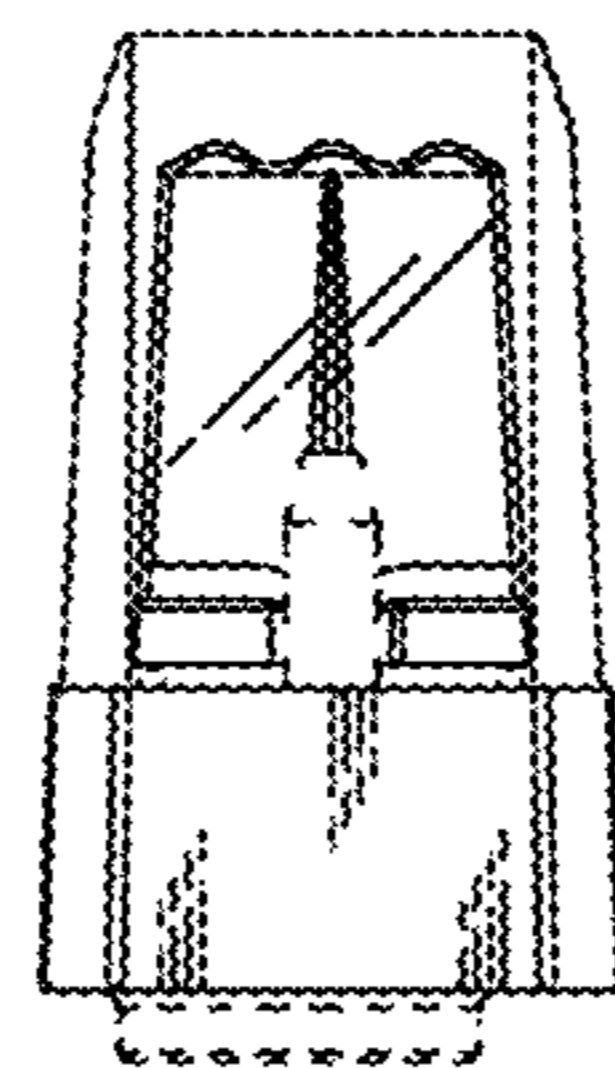


FIG. 5

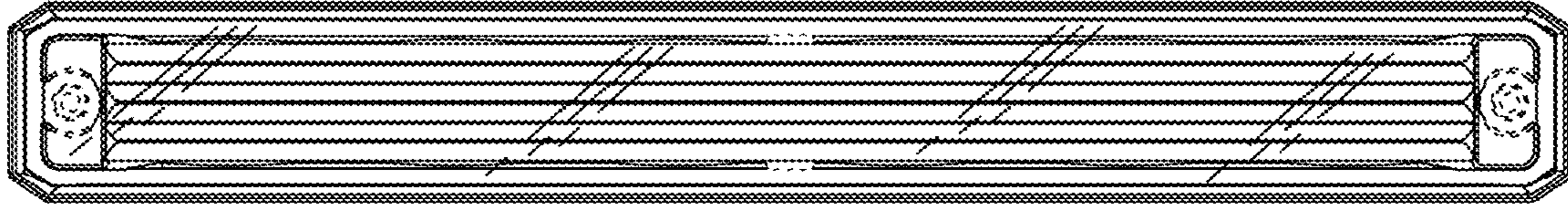


FIG. 6

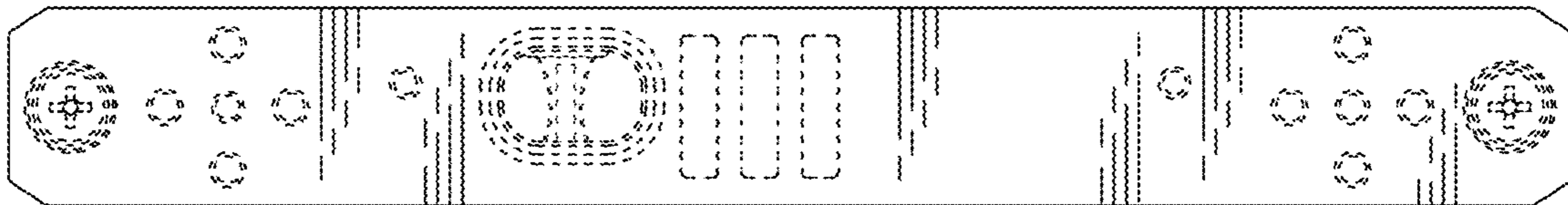


FIG. 7