



US00D873447S

(12) **United States Design Patent** (10) **Patent No.:** **US D873,447 S**
Wang (45) **Date of Patent:** **** Jan. 21, 2020**

(54) **LIGHT EMITTING CUBOID**
(71) Applicant: **Shuai Shuai Wang**, Shanghai (CN)
(72) Inventor: **Shuai Shuai Wang**, Shanghai (CN)
(**) Term: **15 Years**
(21) Appl. No.: **29/667,658**
(22) Filed: **Oct. 23, 2018**
(51) **LOC (12) Cl.** **26-05**
(52) **U.S. Cl.**
USPC **D26/26**
(58) **Field of Classification Search**
USPC D26/26, 24, 113, 118, 119, 120;
D23/366, 367, 369; 362/640-644,
362/650-653, 659; D13/108
CPC F21S 8/035; F21V 23/06; F21V 23/0442;
F21W 2121/00; H01R 2103/00
See application file for complete search history.

D702,631 S * 4/2014 Esses D13/108
D741,796 S * 10/2015 Robinson D13/103
D808,903 S * 1/2018 Koenig D13/110

* cited by examiner

Primary Examiner — Angela J Lee
(74) *Attorney, Agent, or Firm* — John D. Tran; Rhema Law Group

(57) **CLAIM**

The ornamental design for a light emitting cuboid, as shown and described.

DESCRIPTION

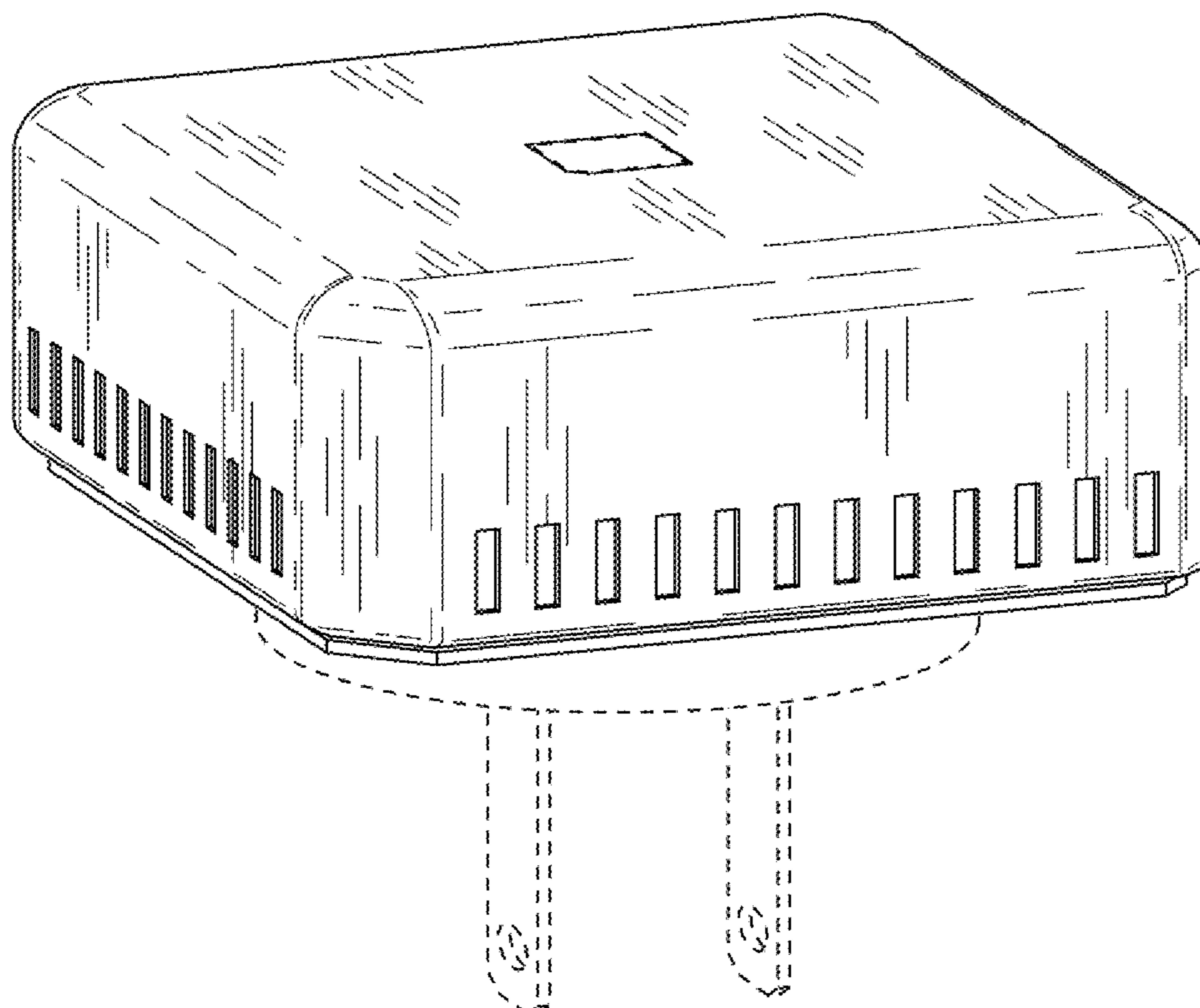
FIG. 1 is a perspective front view of the ornamental design for a light emitting cuboid;
FIG. 2 is a first side view of the ornamental design for a light emitting cuboid;
FIG. 3 is a second side view of the ornamental design for a light emitting cuboid;
FIG. 4 is a third side view of the ornamental design for a light emitting cuboid;
FIG. 5 is a fourth side view of the ornamental design for a light emitting cuboid;
FIG. 6 is a top down view of the ornamental design for a light emitting cuboid; and,
FIG. 7 is a bottom view of the ornamental design for a light emitting cuboid.
The broken lines showing portions of the light emitting cuboid form no part of the claimed design.

(56) **References Cited**

U.S. PATENT DOCUMENTS

D262,578 S * 1/1982 Nicholl D10/109.2
D270,095 S * 8/1983 Palmer D26/26
D271,042 S * 10/1983 Giannola D23/366
D274,368 S * 6/1984 Skarman D10/106.1
D287,408 S * 12/1986 Gaines D26/26
D288,245 S * 2/1987 Corder D10/114.1
D326,923 S * 6/1992 Yuen D26/26
D653,614 S * 2/2012 Au D13/108

1 Claim, 2 Drawing Sheets



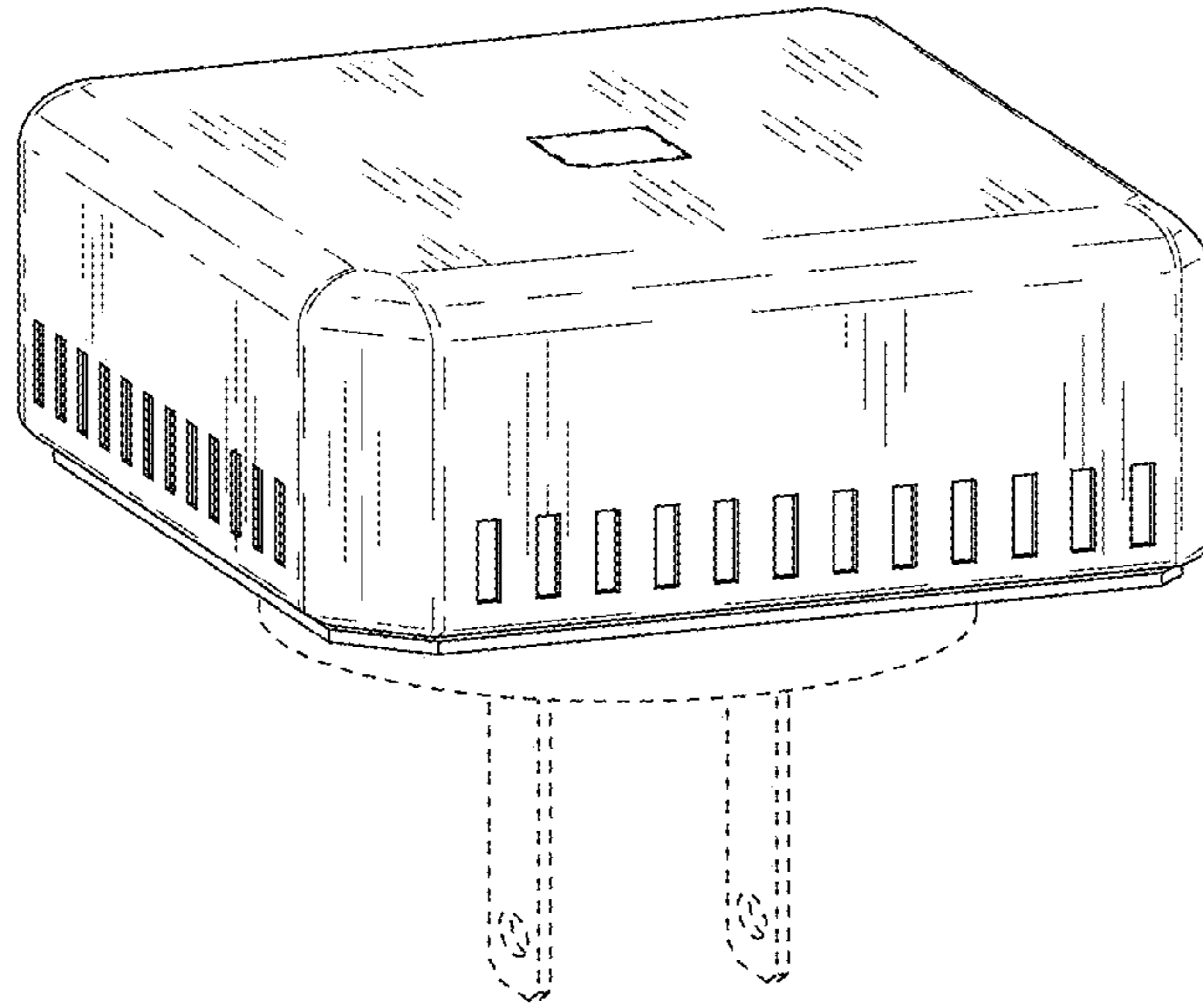


Fig. 1

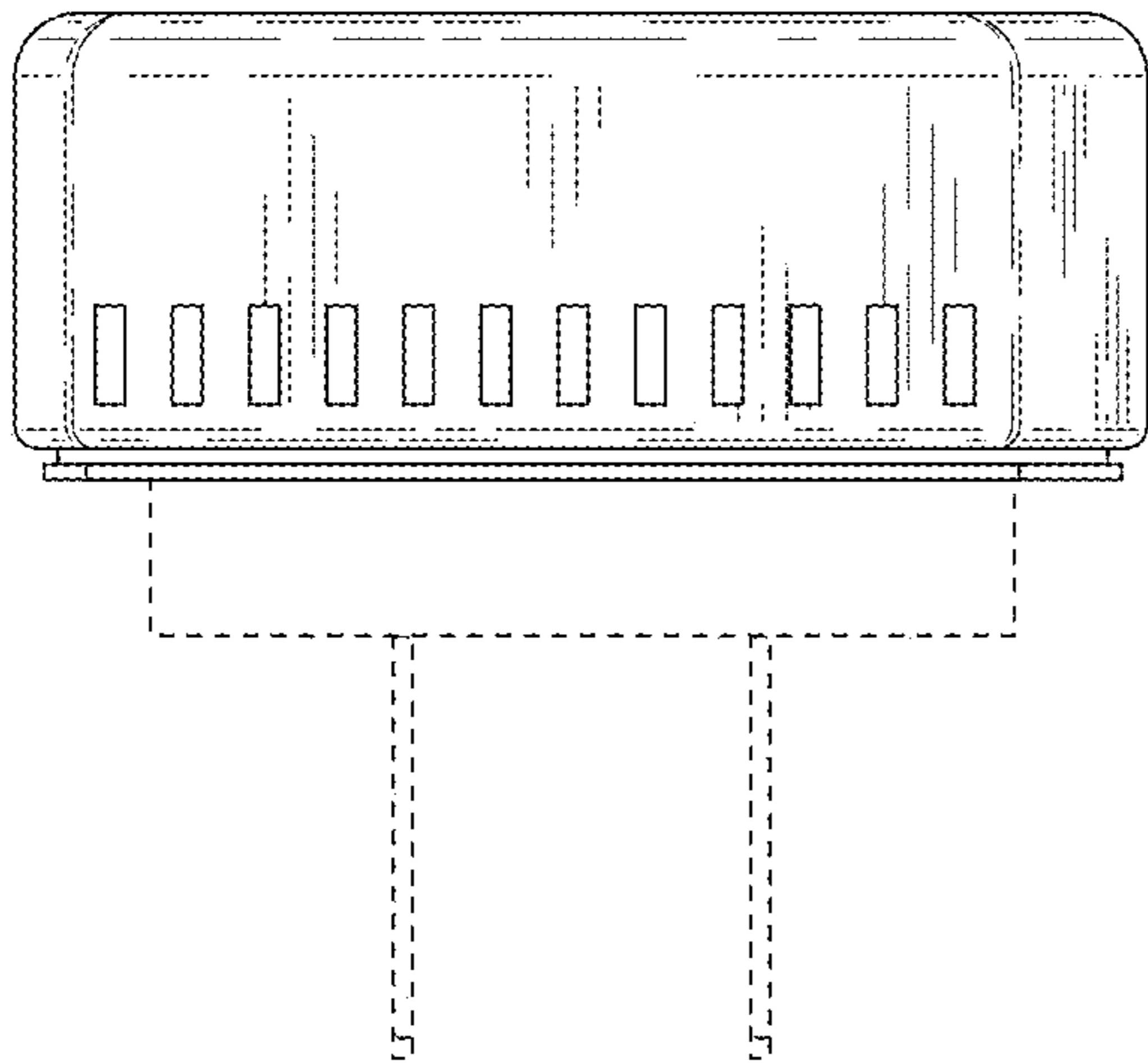


Fig. 2

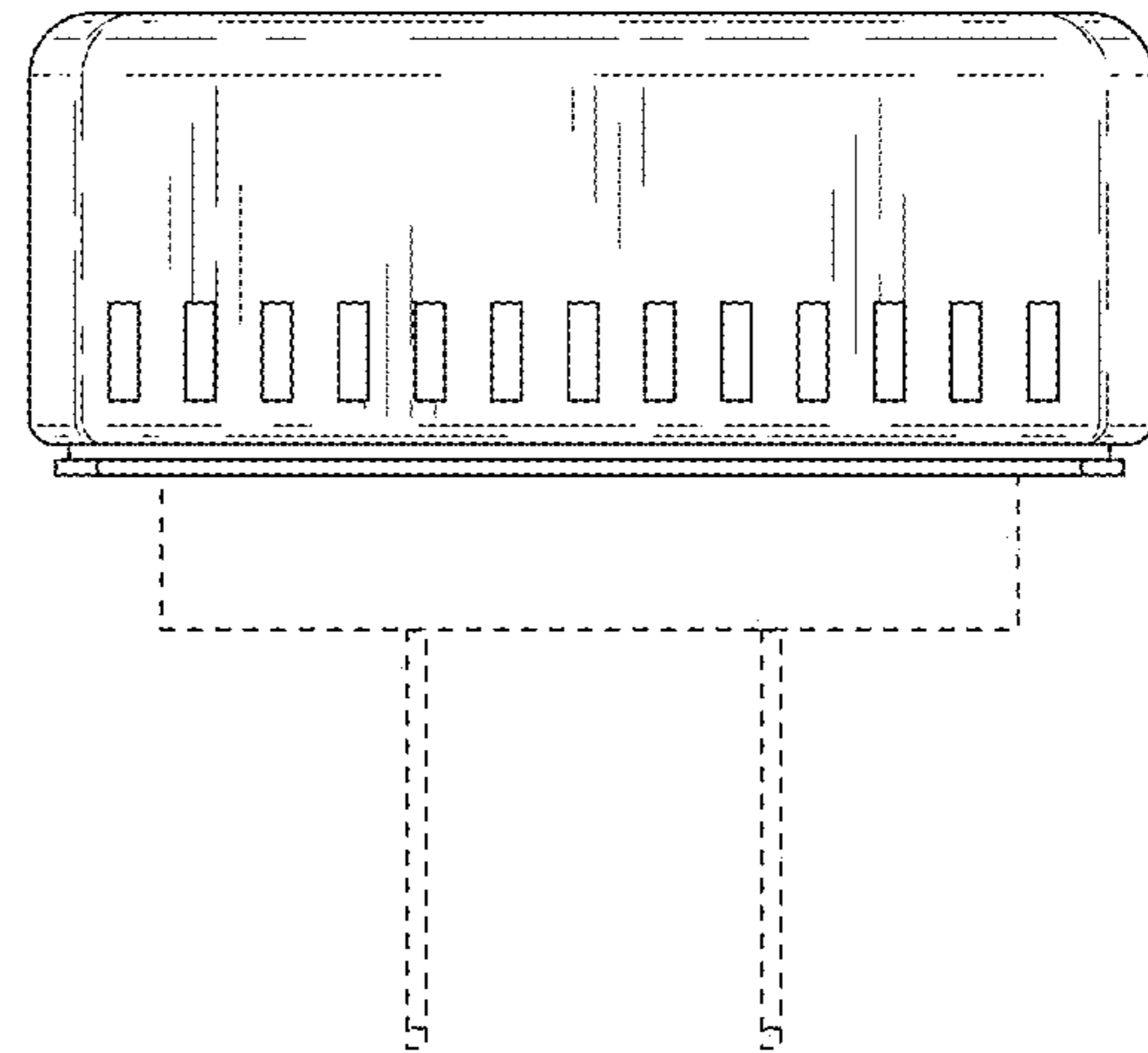


Fig. 3

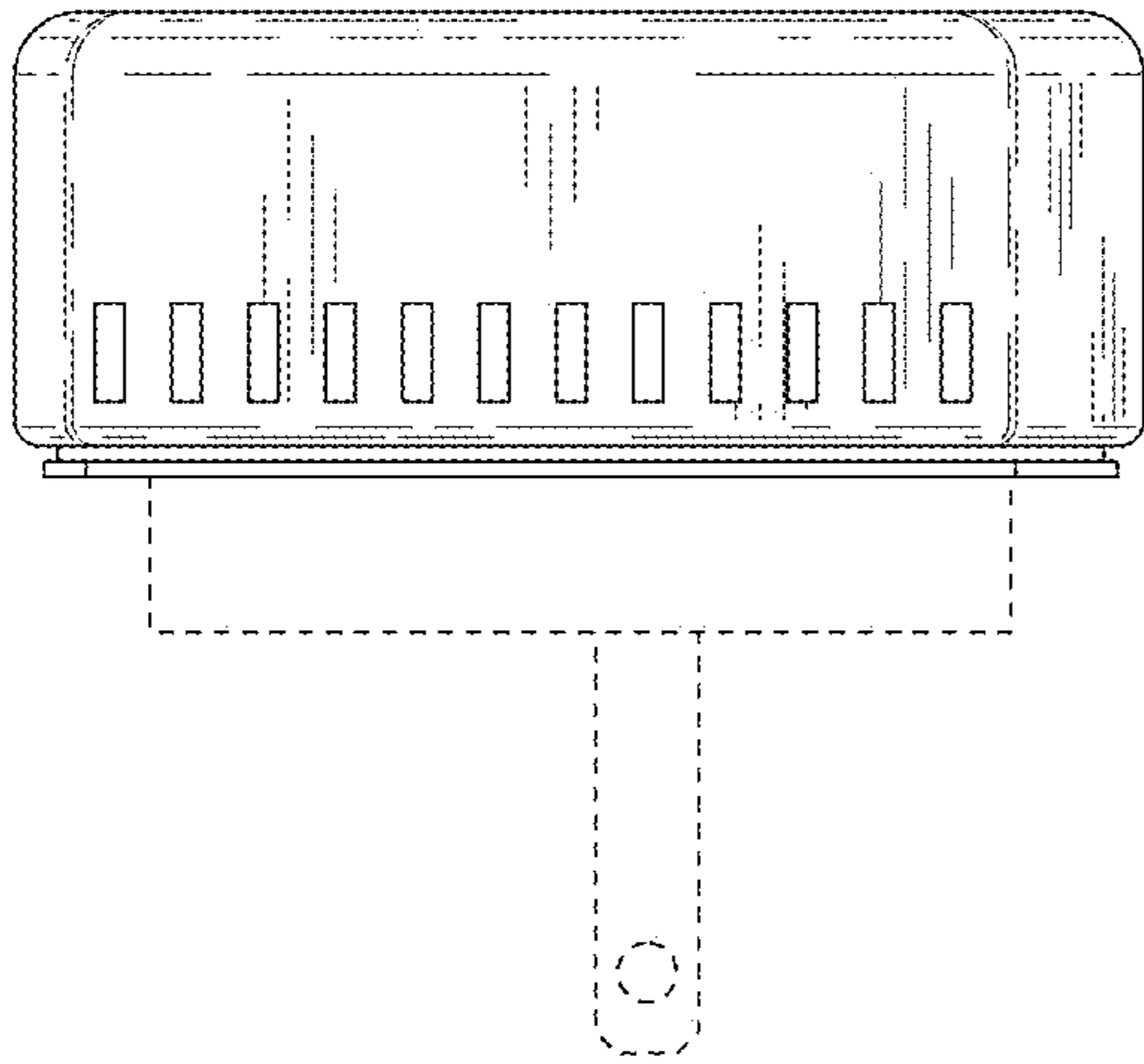


Fig. 4

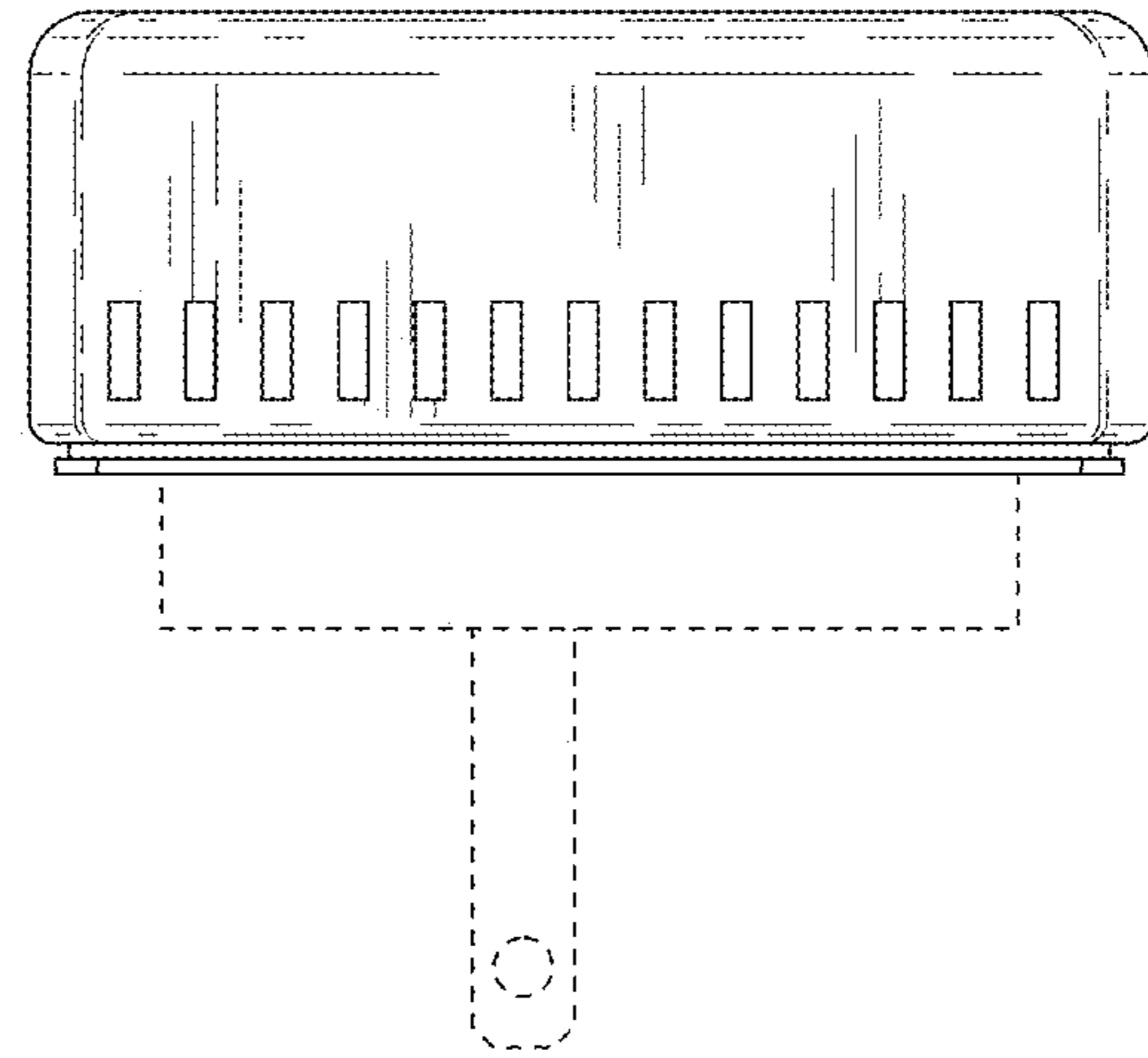


Fig. 5

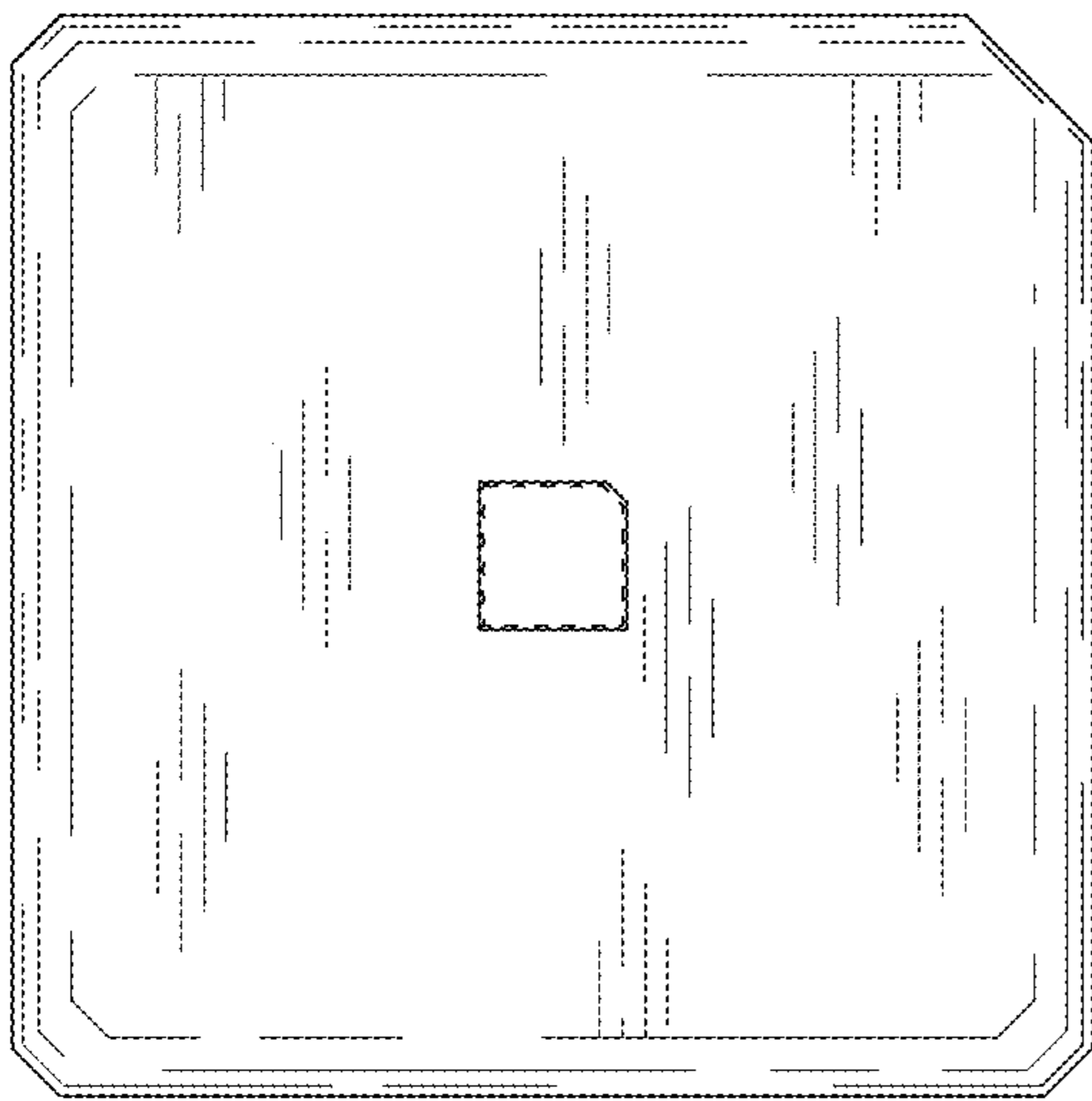


Fig. 6

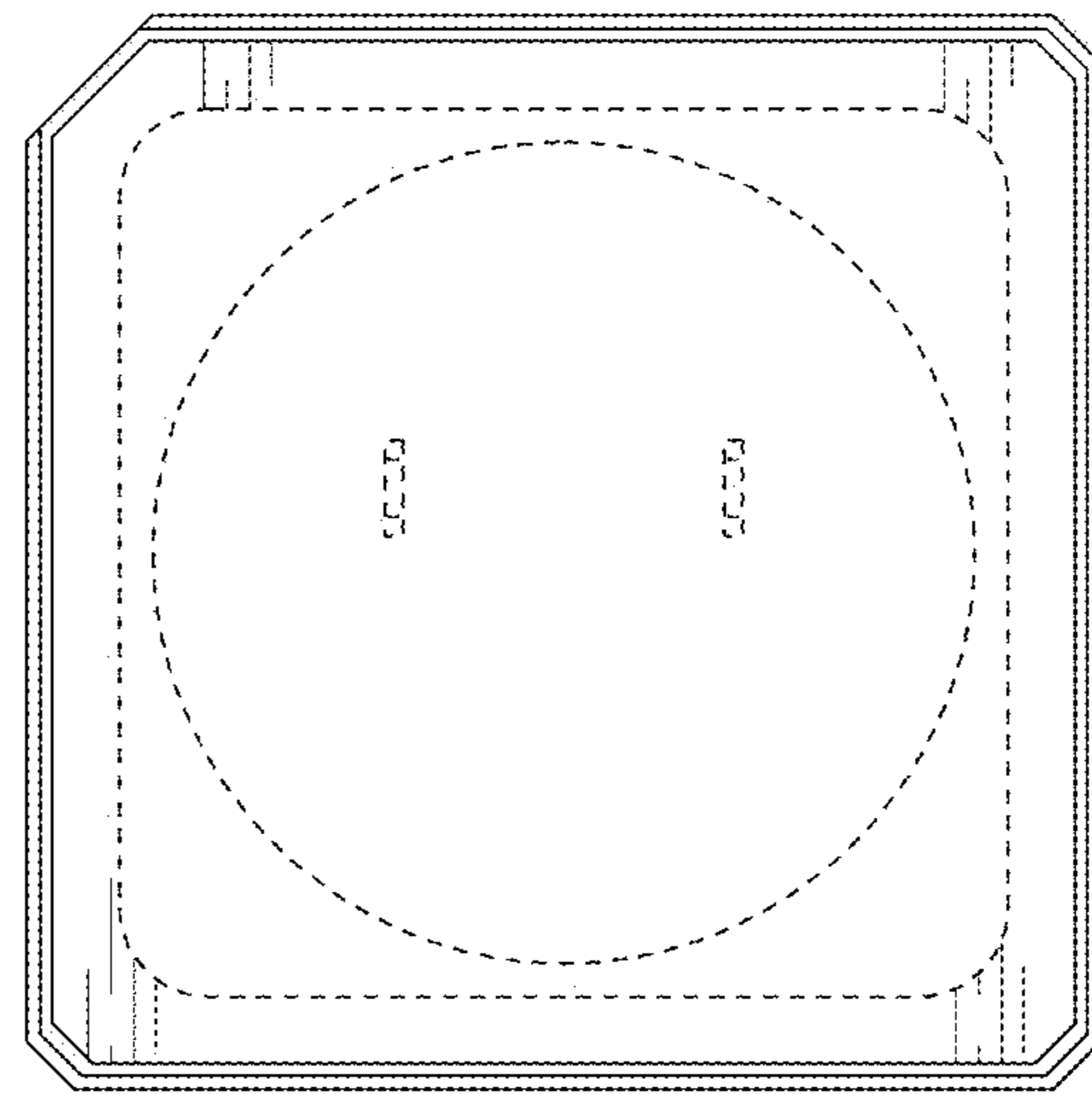


Fig. 7