



US00D873446S

(12) **United States Design Patent** (10) **Patent No.:** **US D873,446 S**  
**Zhu** (45) **Date of Patent:** **\*\* Jan. 21, 2020**

(54) **CONNECTION INTERFACE CUBE**

(71) Applicant: **Wei Po Zhu**, Shanghai (CN)

(72) Inventor: **Wei Po Zhu**, Shanghai (CN)

(\*\*) Term: **15 Years**

(21) Appl. No.: **29/667,656**

(22) Filed: **Oct. 23, 2018**

(51) **LOC (12) Cl.** ..... **26-05**

(52) **U.S. Cl.**  
USPC ..... **D26/26**

(58) **Field of Classification Search**  
USPC ..... D26/26, 24, 113, 118, 119, 120;  
D23/366, 367, 369; 362/640–644,  
362/650–653, 659; D13/108  
CPC ..... F21S 8/035; F21V 23/06; F21V 23/0442;  
F21W 2121/00; H01R 2103/00  
See application file for complete search history.

(56) **References Cited**

**U.S. PATENT DOCUMENTS**

D262,578 S *	1/1982	Nicholl	.....	D10/109.2
D270,095 S *	8/1983	Palmer	.....	D26/26
D271,042 S *	10/1983	Giannola	.....	D23/366
D274,368 S *	6/1984	Skarman	.....	D10/106.1
D287,408 S *	12/1986	Gaines	.....	D26/26
D288,245 S *	2/1987	Corder	.....	D10/114.1
D326,923 S *	6/1992	Yuen	.....	D26/26
D653,614 S *	2/2012	Au	.....	D13/108
D702,631 S *	4/2014	Esses	.....	D13/108
D741,796 S *	10/2015	Robinson	.....	D13/103

D808,903 S \* 1/2018 Koenig ..... D13/110

\* cited by examiner

*Primary Examiner* — Angela J Lee

(74) *Attorney, Agent, or Firm* — John D. Tran; Rhema Law Group

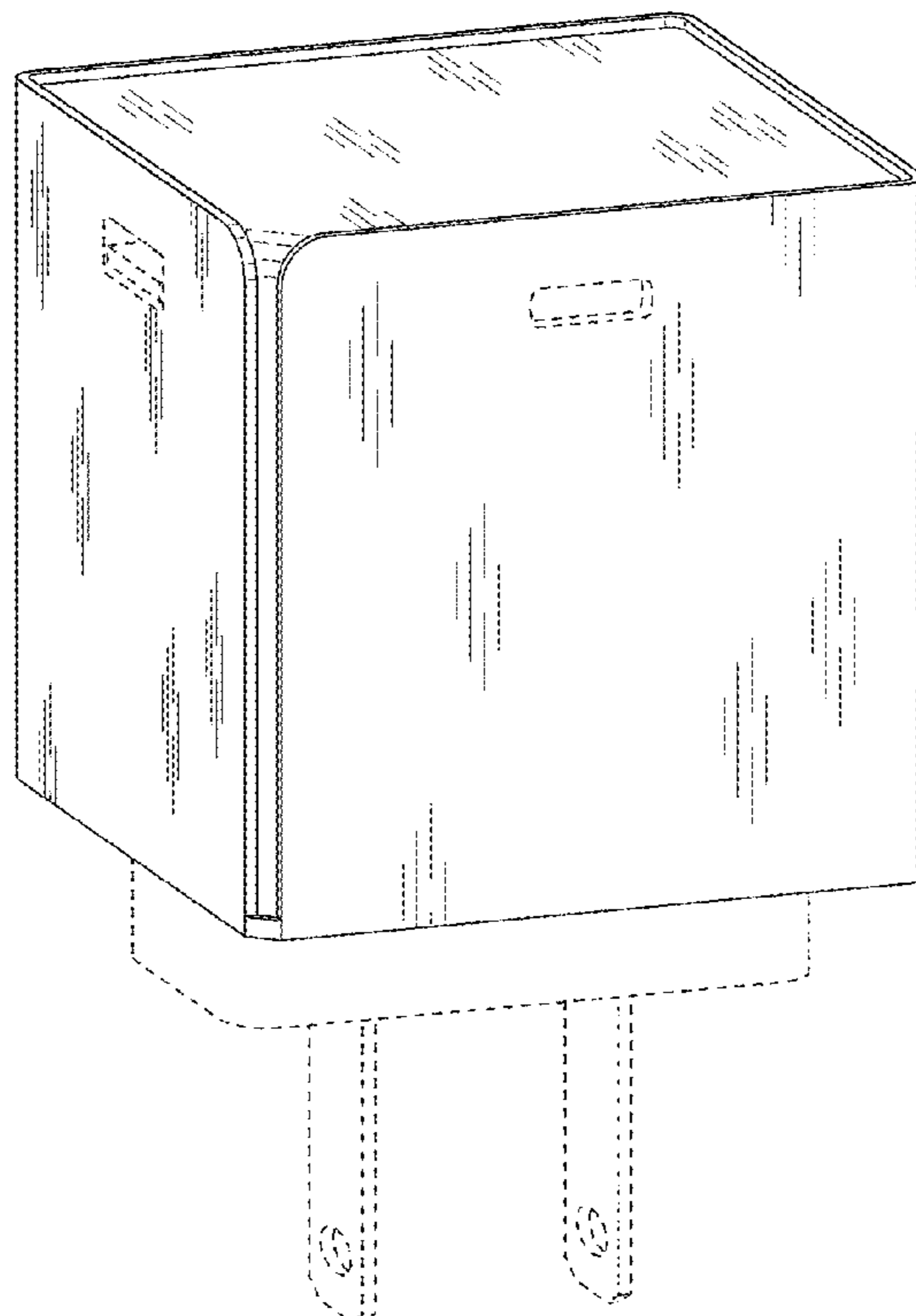
(57) **CLAIM**

The ornamental design for a connection interface cube, as shown and described.

**DESCRIPTION**

FIG. 1 is a perspective front view of the ornamental design for a connection interface cube;  
FIG. 2 is a perspective back view of the ornamental design for a connection interface cube;  
FIG. 3 is a perspective down view of the ornamental design for a connection interface cube;  
FIG. 4 is a first side view of the ornamental design for a connection interface cube;  
FIG. 5 is a second side view of the ornamental design for a connection interface cube;  
FIG. 6 is a third side view of the ornamental design for a connection interface cube;  
FIG. 7 is a fourth side view of the ornamental design for a connection interface cube;  
FIG. 8 is a top down view of the ornamental design for a connection interface cube; and,  
FIG. 9 is a bottom view of the ornamental design for a connection interface cube.  
The broken lines showing portions of the connection interface cube form no part of the claimed design.

**1 Claim, 3 Drawing Sheets**



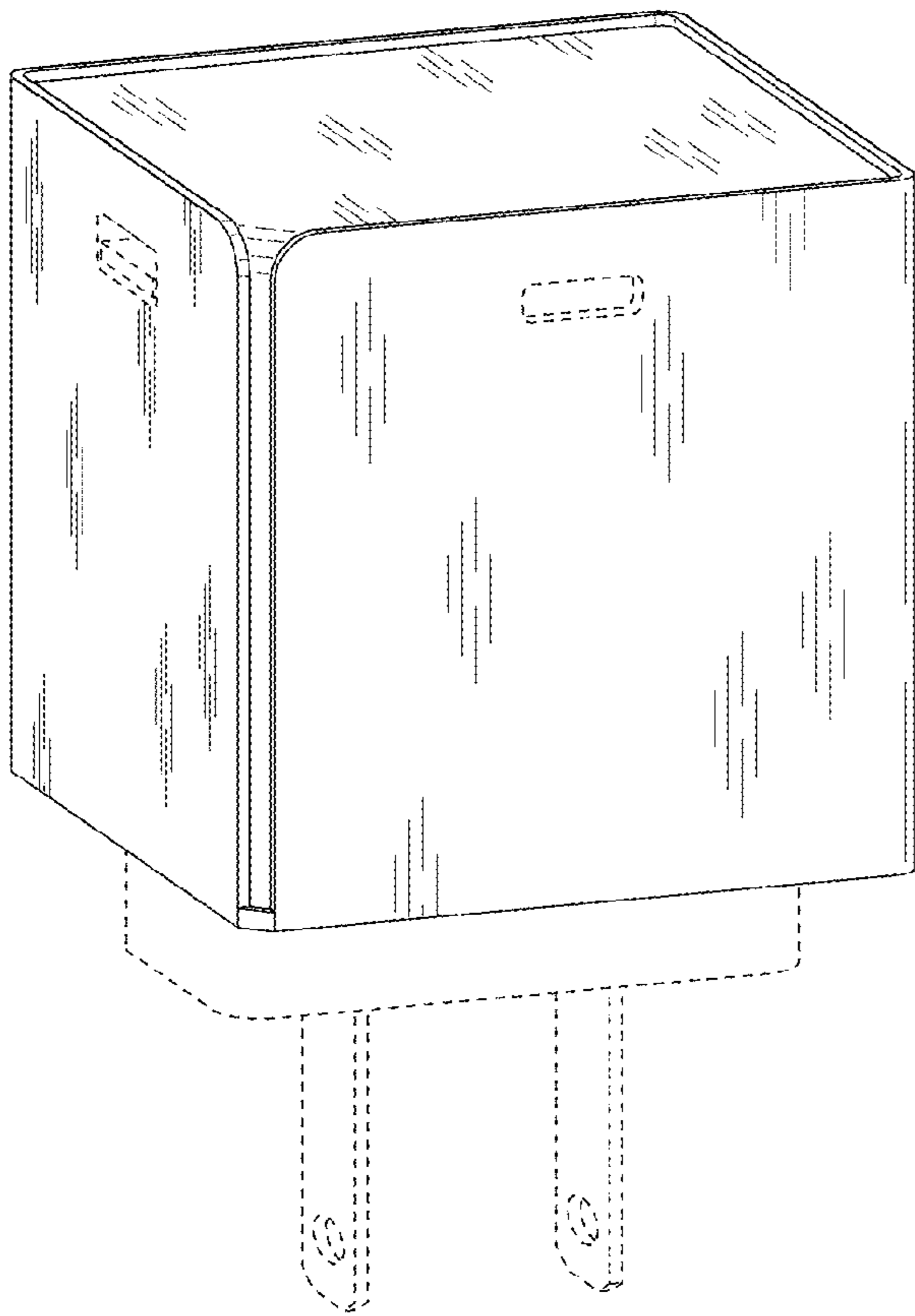


Fig. 1

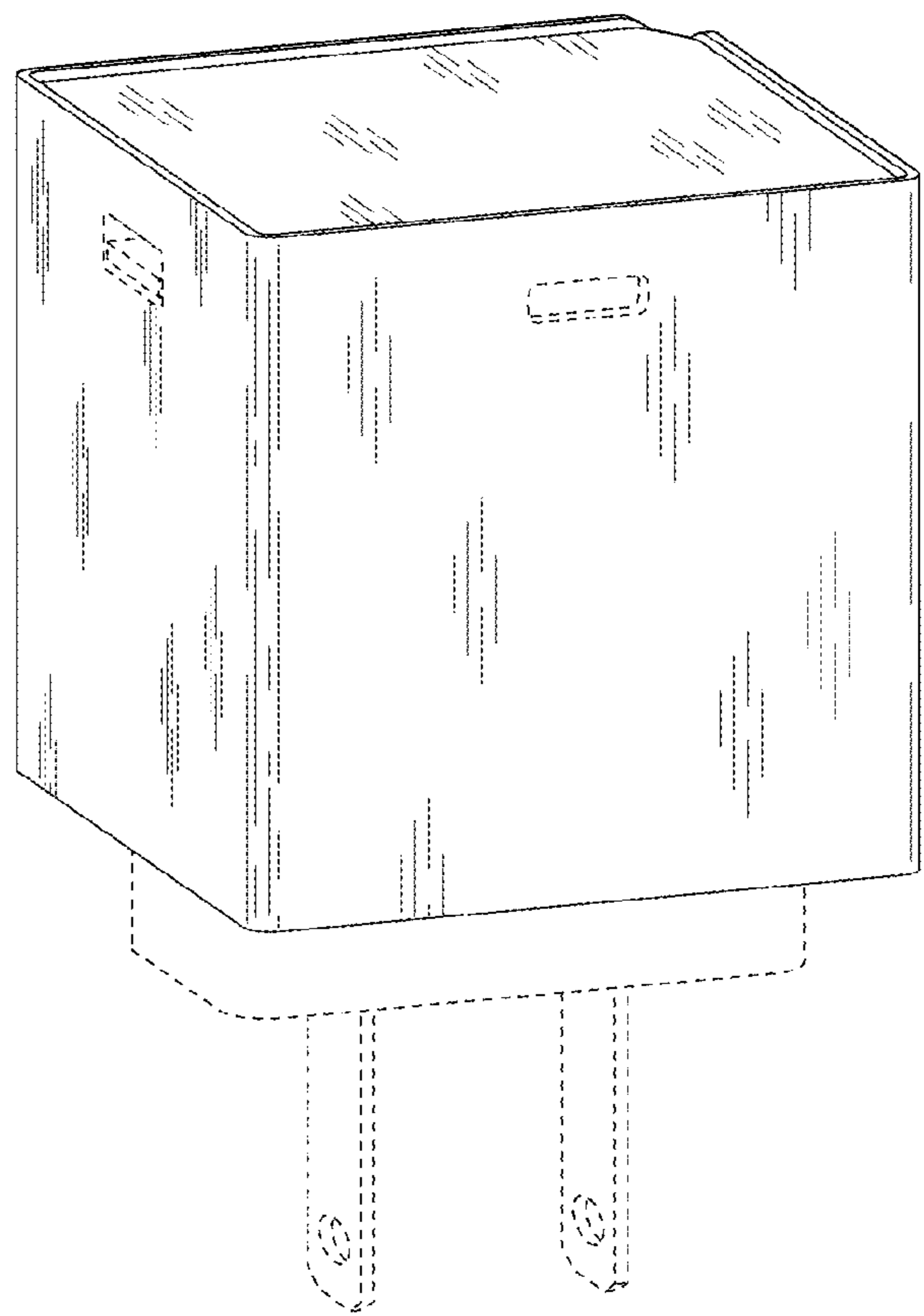


Fig. 2

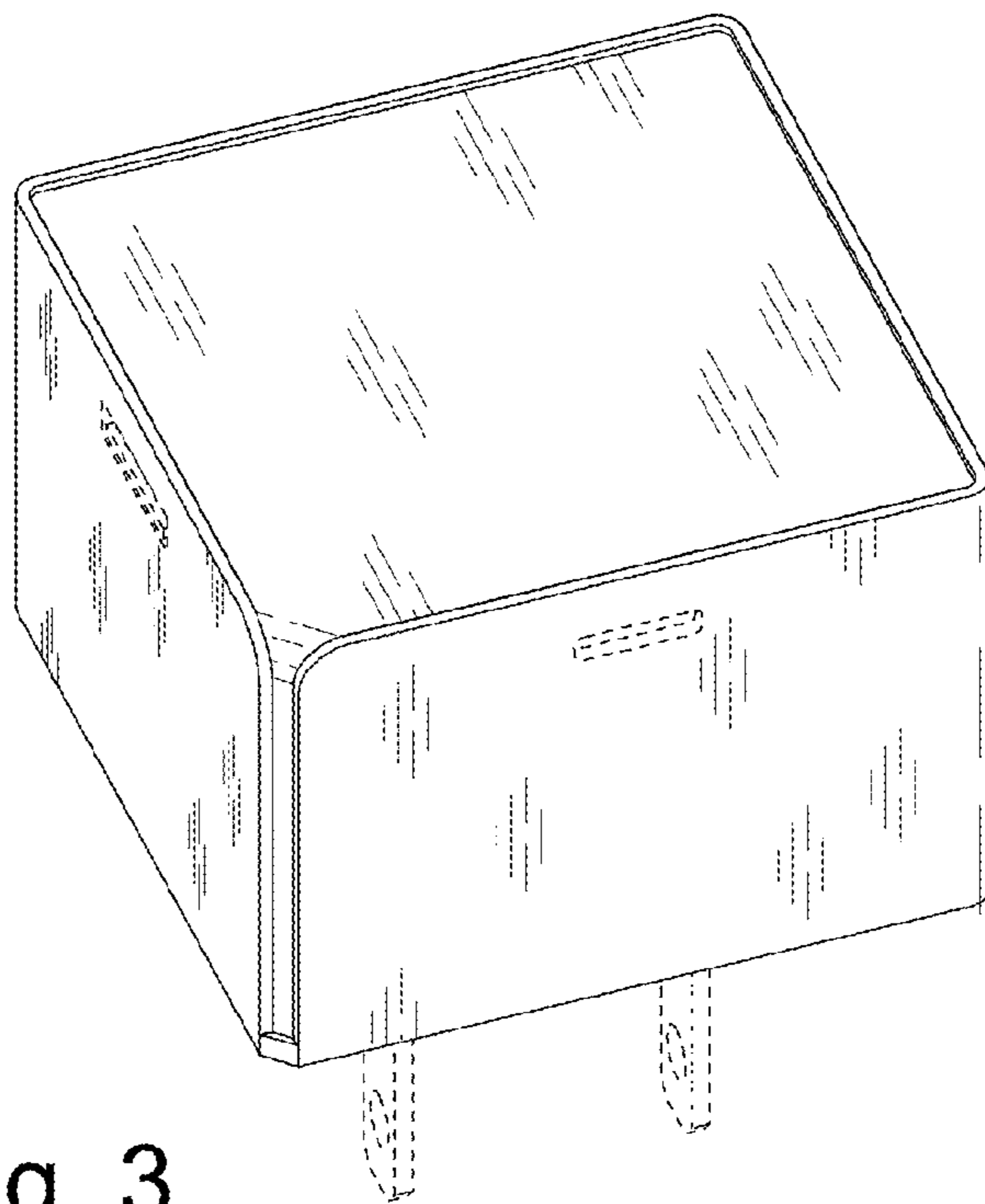


Fig. 3

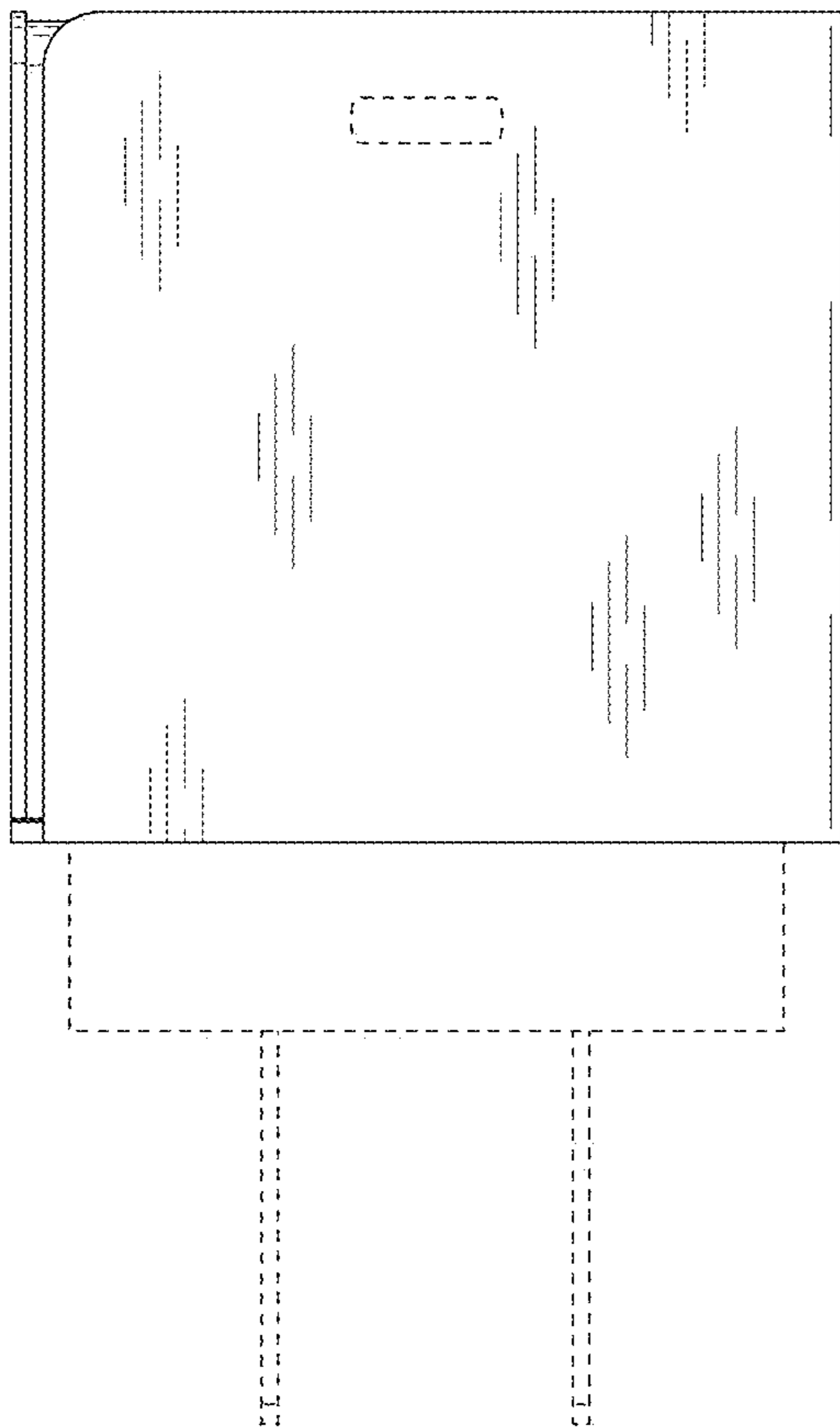


Fig. 4

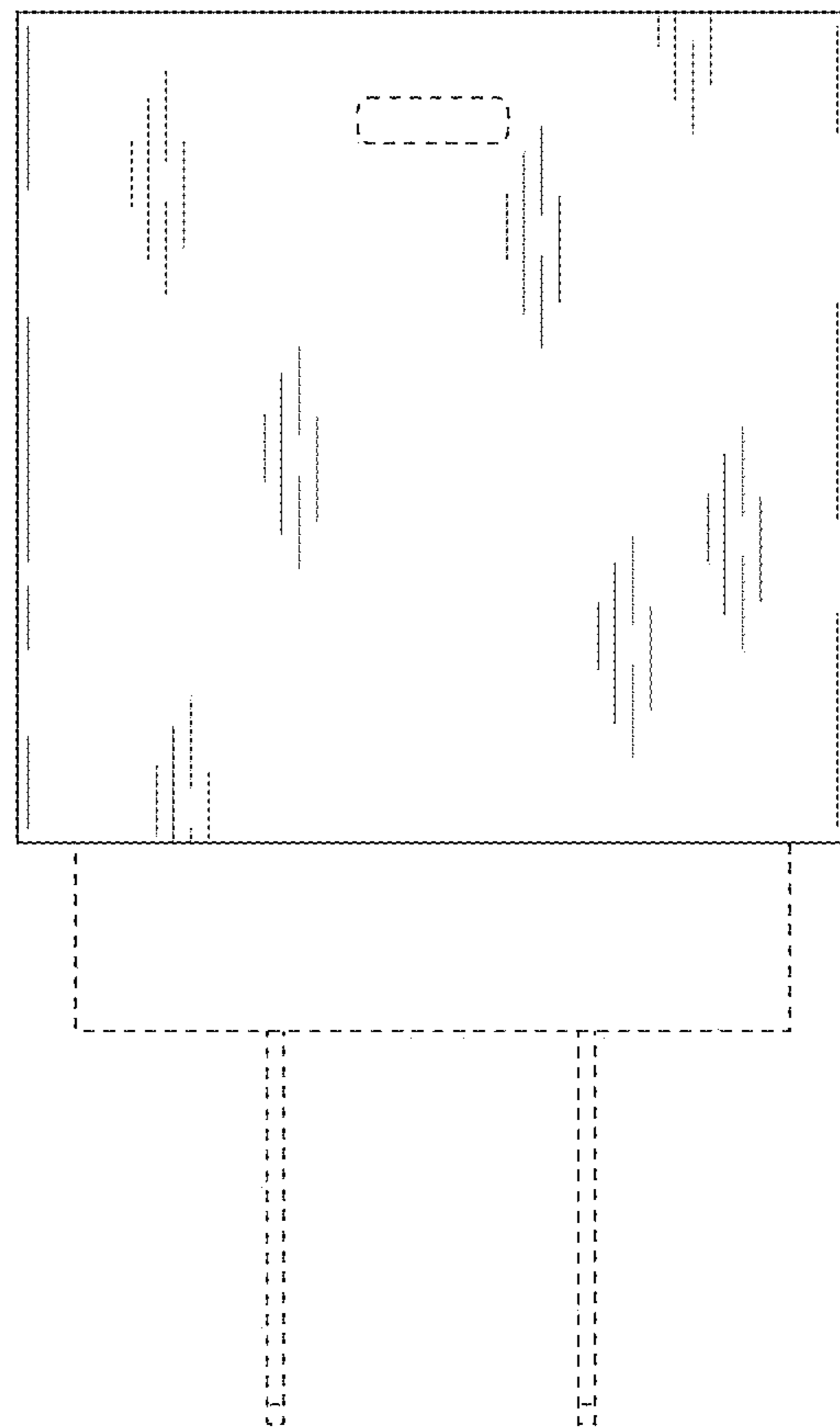


Fig. 5

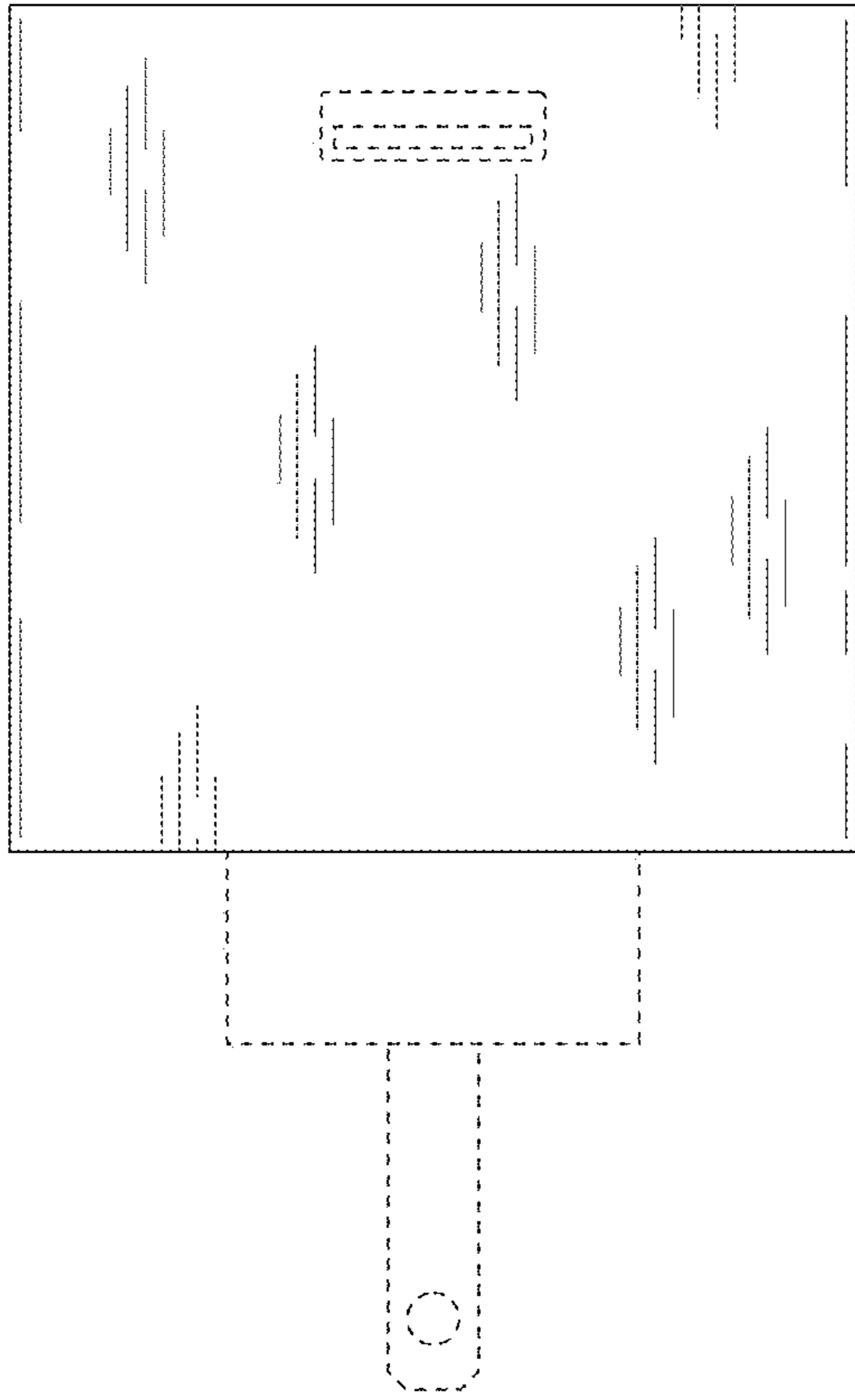


Fig. 6

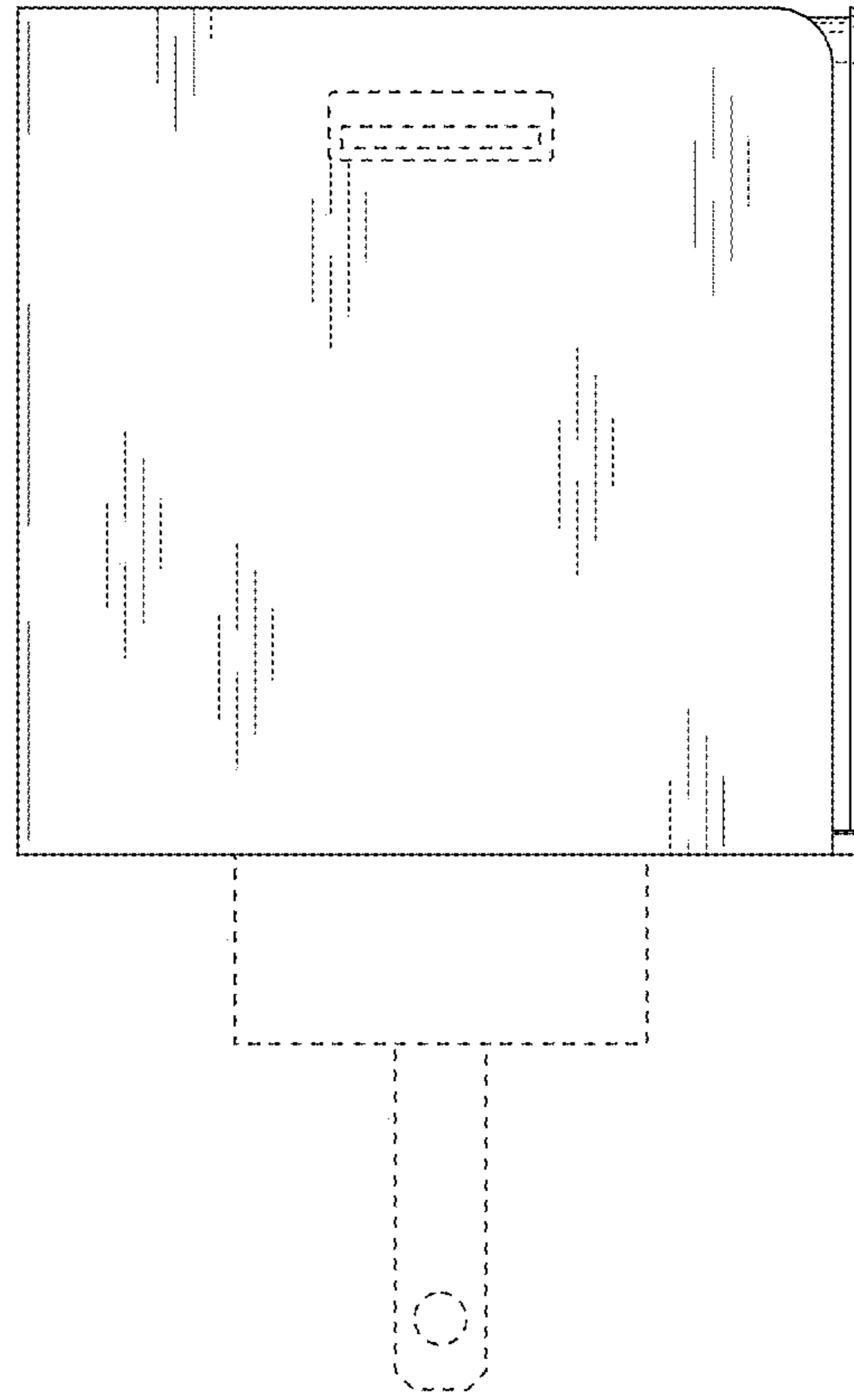


Fig. 7

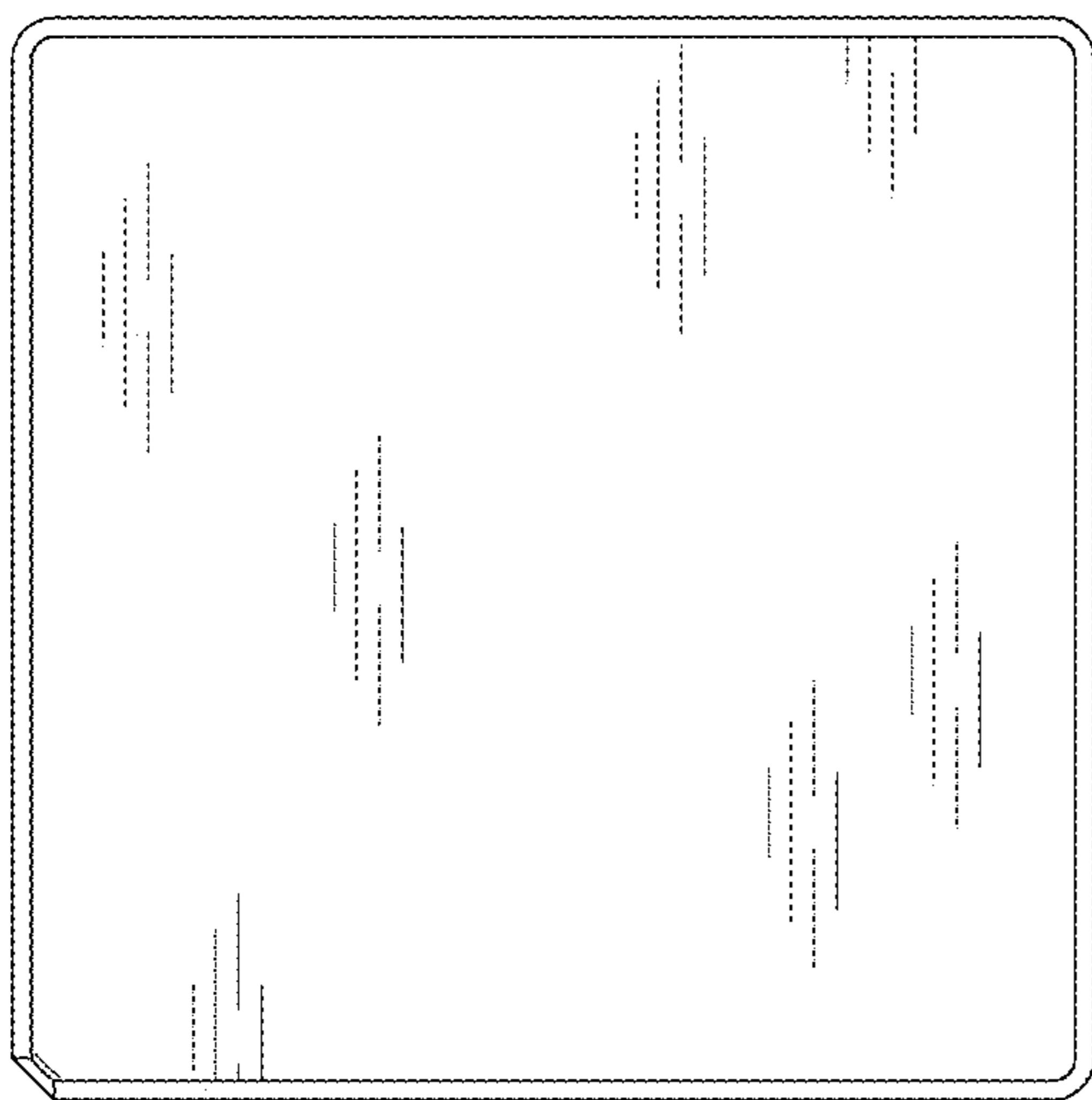


Fig. 8

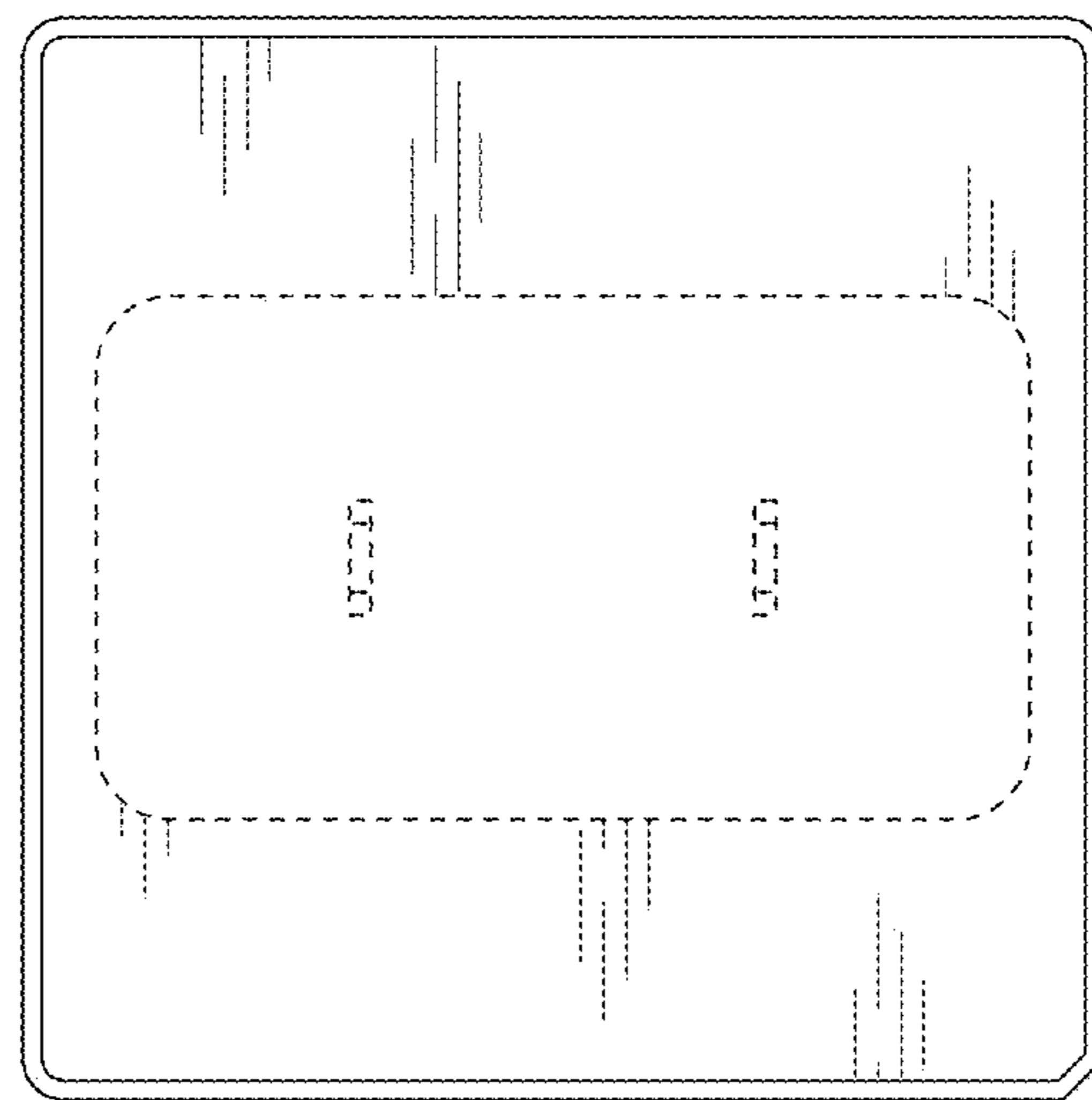


Fig. 9