



US00D873444S

(12) **United States Design Patent**  
**Ikeda**

(10) **Patent No.:** **US D873,444 S**  
(45) **Date of Patent:** **\*\* Jan. 21, 2020**

(54) **ELECTRODE FOR DISCHARGE LAMP**

FOREIGN PATENT DOCUMENTS

(71) Applicant: **Phoenix Electric Co., Ltd.**, Himeji-shi,  
Hyogo (JP)

JP S54-136768 A 10/1979  
JP 2003-257373 A 9/2003  
JP 2011-129306 6/2011

(72) Inventor: **Tomihiko Ikeda**, Himeji (JP)

(Continued)

(73) Assignee: **PHOENIX ELECTRIC CO., LTD.**,  
Hyogo (JP)

OTHER PUBLICATIONS

(\*\*) Term: **15 Years**

The Notice dated Nov. 26, 2018 from the corresponding Japanese Design Patent Application No. JP 2017-025782 and English translation.

(21) Appl. No.: **29/646,910**

(Continued)

(22) Filed: **May 8, 2018**

*Primary Examiner* — Marcus A Jackson

(30) **Foreign Application Priority Data**

(74) *Attorney, Agent, or Firm* — Lucas & Mercanti, LLP

Nov. 17, 2017 (JP) ..... 2017-025782  
Nov. 17, 2017 (JP) ..... 2017-025783

(57) **CLAIM**

The ornamental design for electrode for discharge lamp, as shown and described.

(51) **LOC (12) Cl.** ..... **26-04**

**DESCRIPTION**

(52) **U.S. Cl.**  
USPC ..... **D26/2**

(58) **Field of Classification Search**  
CPC ..... H01R 5/00; H01R 13/46; H01R 13/514;  
H01R 31/048; H01R 31/02; H01J 5/00;  
H01J 5/16; H01J 1/02; H01J 15/00; H01J  
5/48; H01J 5/50; H01J 19/54; F21V 5/00;  
F21V 29/004; F21K 9/00; F21K 13/00  
See application file for complete search history.

FIG. 1 is a front view of a first embodiment of an electrode for discharge lamp;  
FIG. 2 is a back view thereof;  
FIG. 3 is a top view thereof;  
FIG. 4 is a bottom view thereof;  
FIG. 5 is a left side view thereof;  
FIG. 6 is a right side view thereof;  
FIG. 7 is a front view of a second embodiment of an electrode for discharge lamp;  
FIG. 8 is a back view thereof;  
FIG. 9 is a top view thereof;  
FIG. 10 is a bottom view thereof;  
FIG. 11 is a left side view thereof; and,  
FIG. 12 is a right side view thereof.

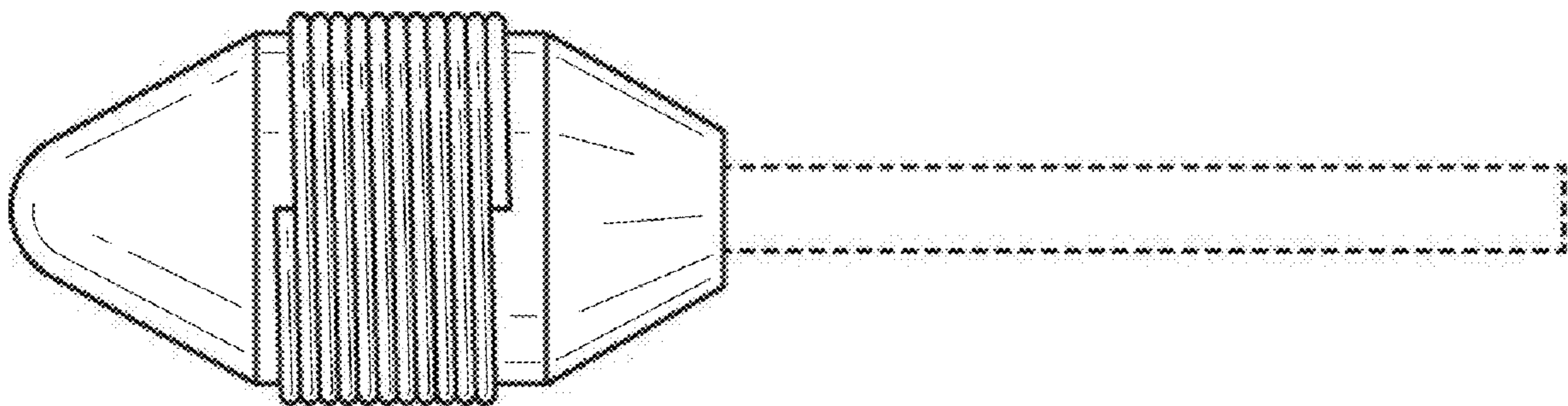
(56) **References Cited**

U.S. PATENT DOCUMENTS

D422,099 S \* 3/2000 Kracke ..... D26/2  
D549,360 S \* 8/2007 An ..... D26/2  
D550,864 S \* 9/2007 Hernandez, Jr. .... D26/2  
D664,683 S \* 7/2012 Matsuda ..... D26/2  
D671,663 S \* 11/2012 Matsuda ..... D26/2  
2012/0229011 A1 9/2012 Tominaga

The broken lines shown in the drawings are for illustrative purposes only and form no part of the claimed design.

**1 Claim, 6 Drawing Sheets**



(56)

**References Cited**

FOREIGN PATENT DOCUMENTS

JP	2011-216444 A	10/2011
JP	146269	2/2013
JP	2015-032422 A	2/2015
JP	2017-103108	6/2017

OTHER PUBLICATIONS

The Notice dated Jan. 16, 2019 from the corresponding Japanese Design Patent Application No. JP 2017-025783 and English translation.

The Office Action dated Nov. 26, 2018 from the corresponding Japanese Design Patent Application No. JP 2017-025783 and English translation.

The Office Action dated Nov. 20, 2018 from the corresponding Korean Design Patent Application No. KR 30-2018-0021461, Issue No. 9-5-2018-078873761, and English translation.

The Office Action dated Nov. 20, 2018 from the corresponding Korean Design Patent Application No. KR 30-2018-0021461, Issue No. 9-5-2018078873817, and English translation.

Office Action dated Jul. 30, 2018 from corresponding Japanese Design Patent Application No. 2017-025782 and English translation.

Office Action dated Jul. 30, 2018 from corresponding Japanese Design Patent Application No. 2017-025783 and English translation.

\* cited by examiner

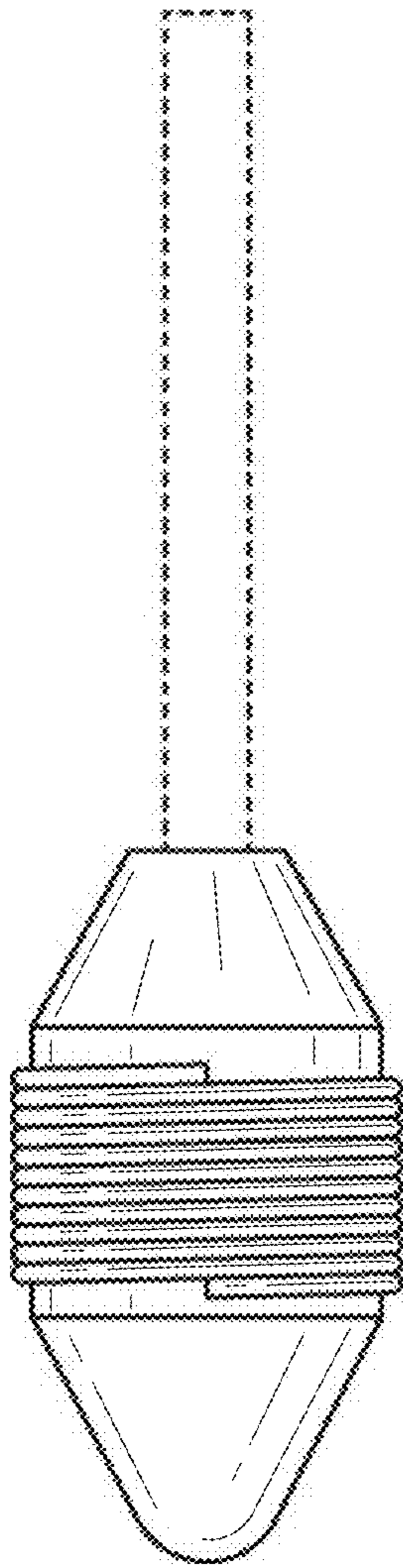


FIG. 1

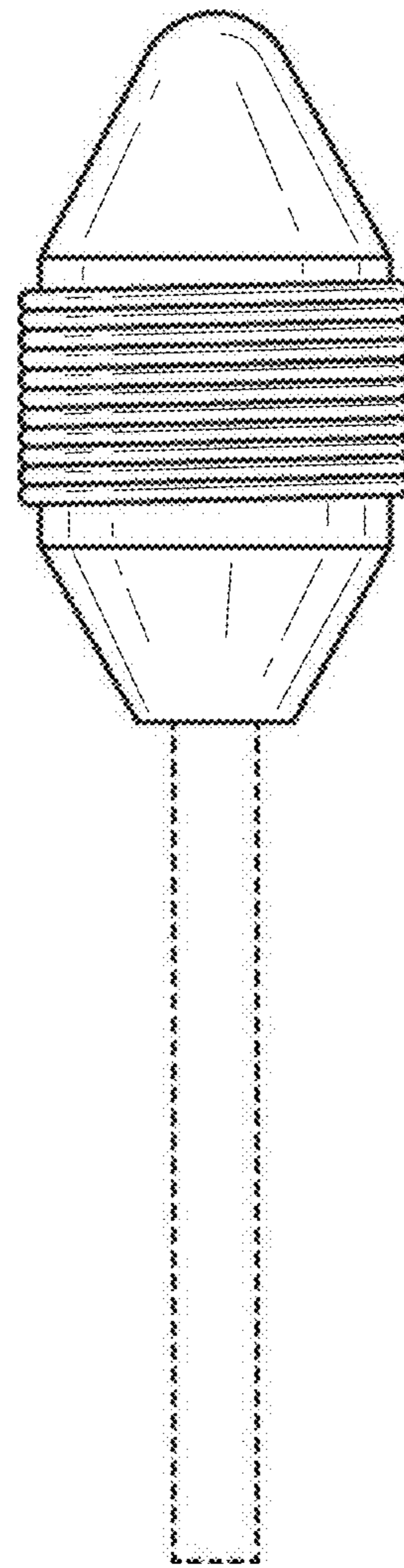


FIG. 2

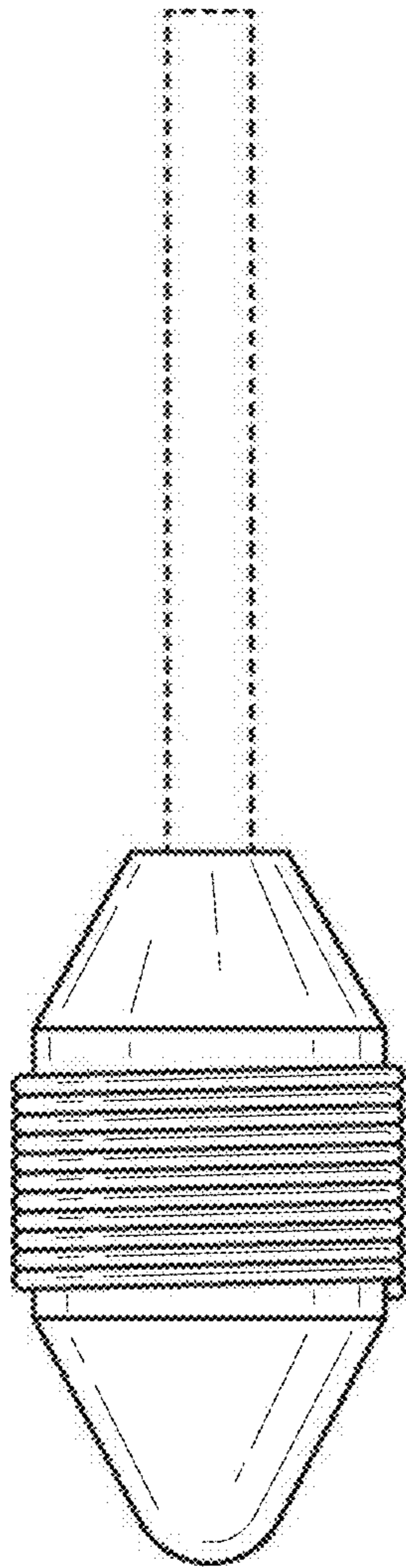


FIG. 3

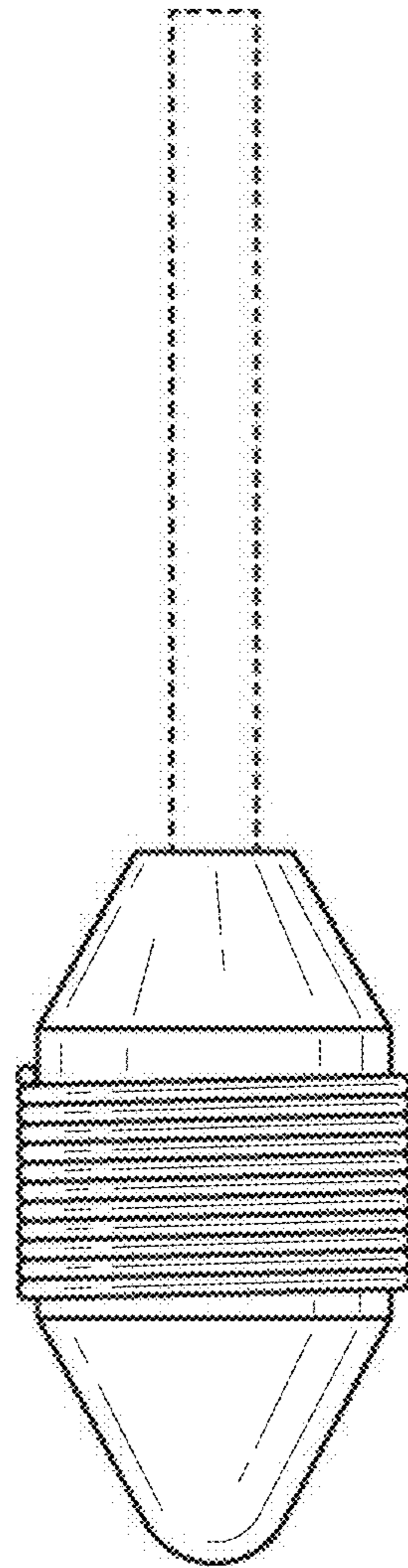


FIG. 4

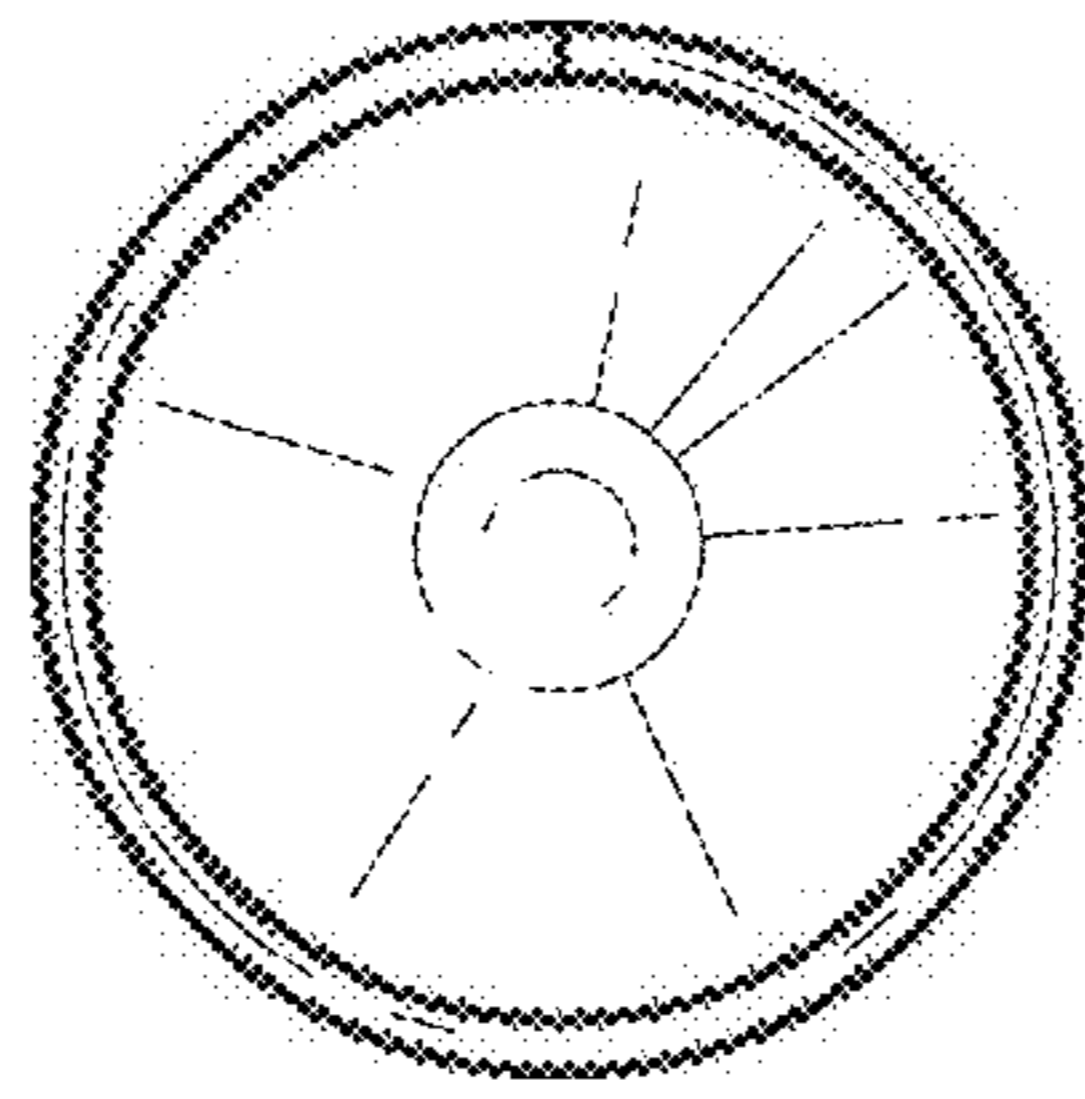


FIG. 5

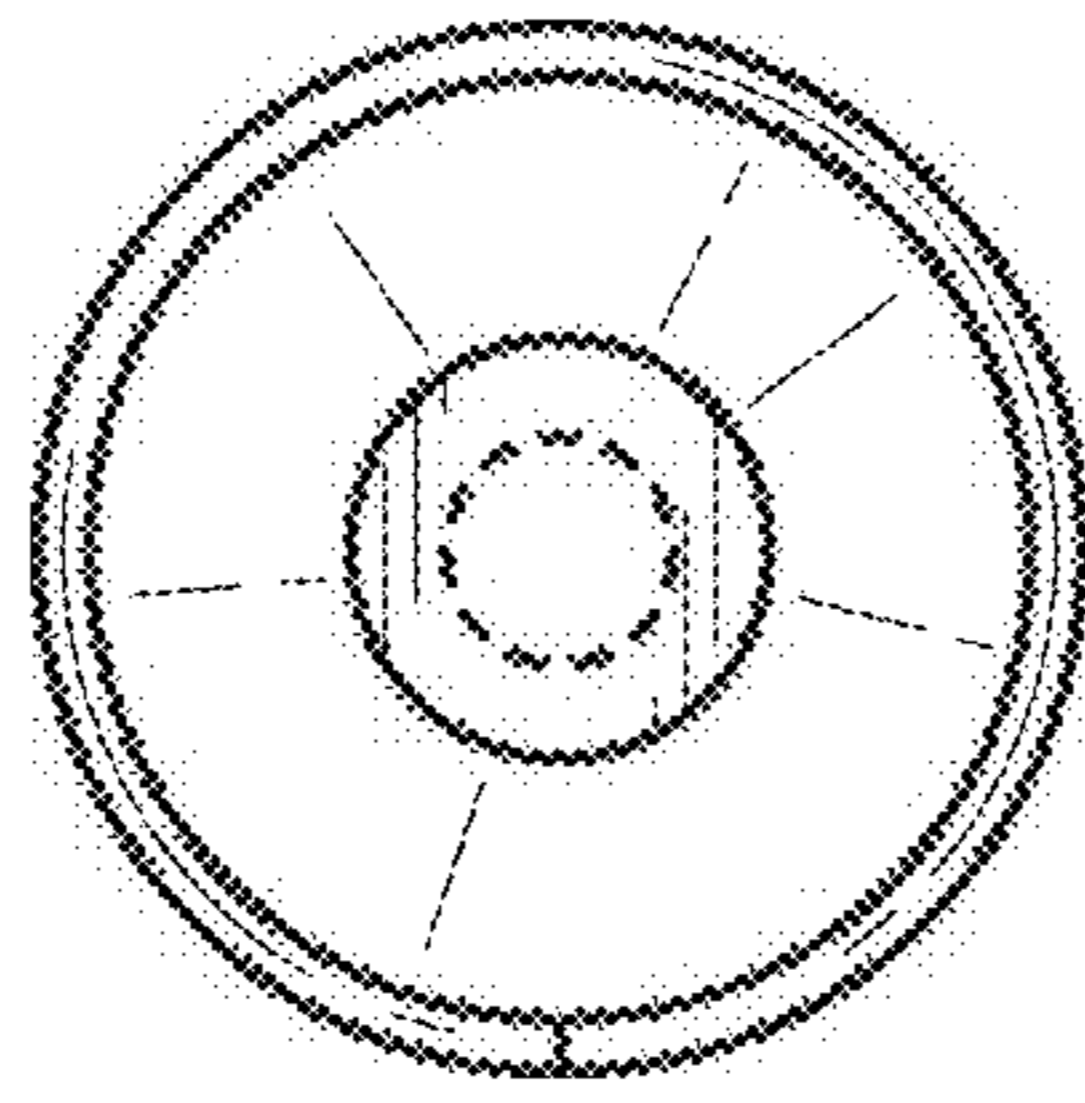


FIG. 6

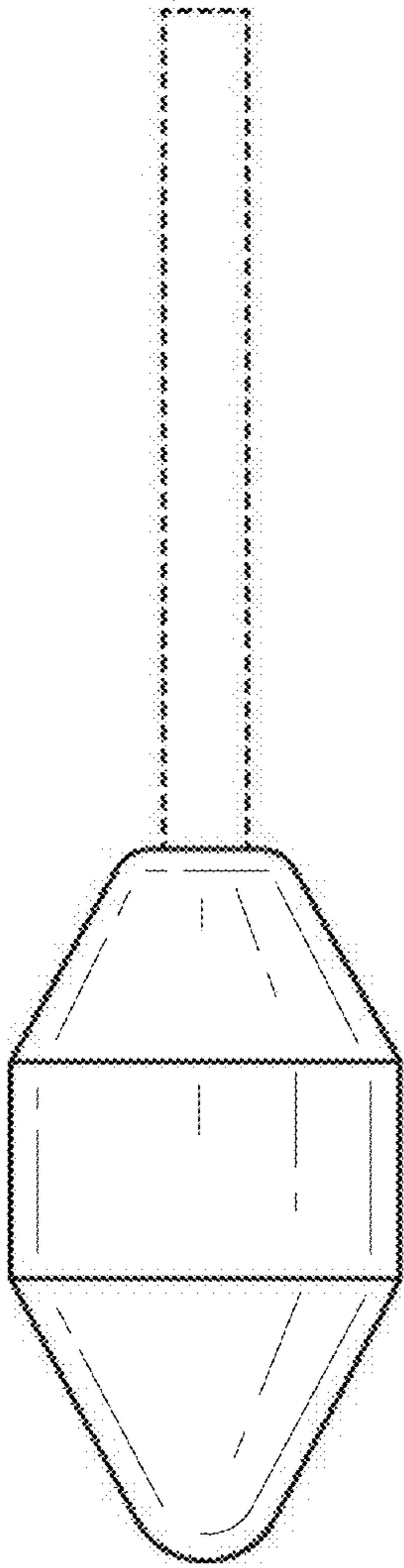


FIG. 7

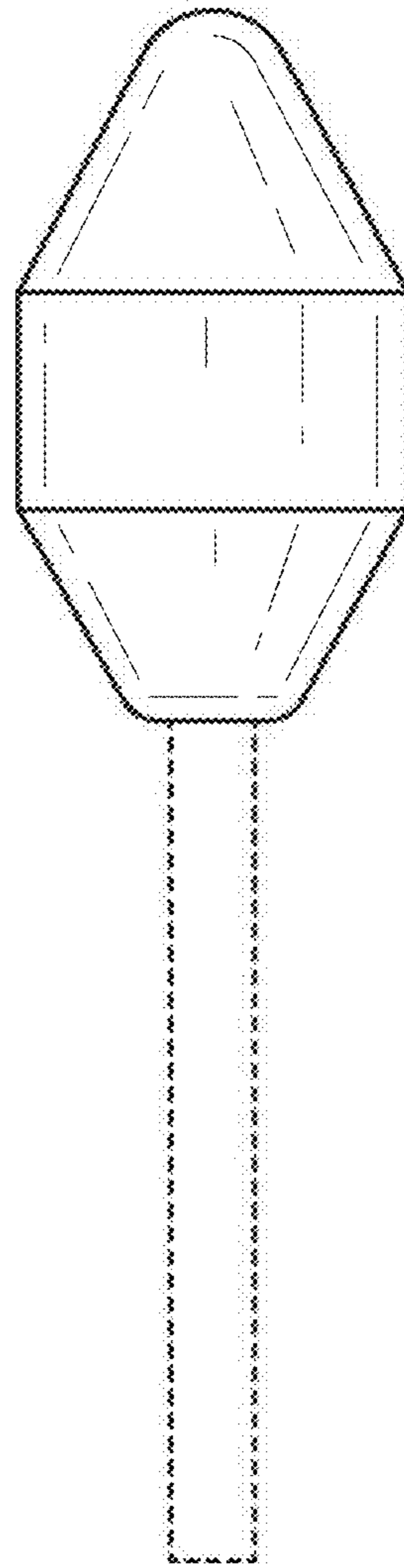


FIG. 8

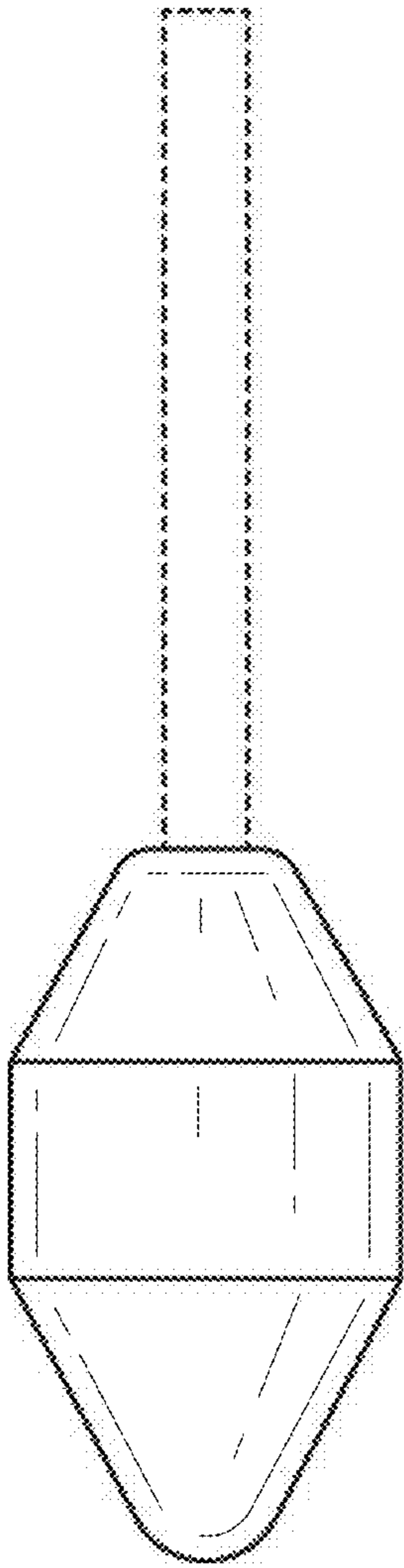


FIG. 9

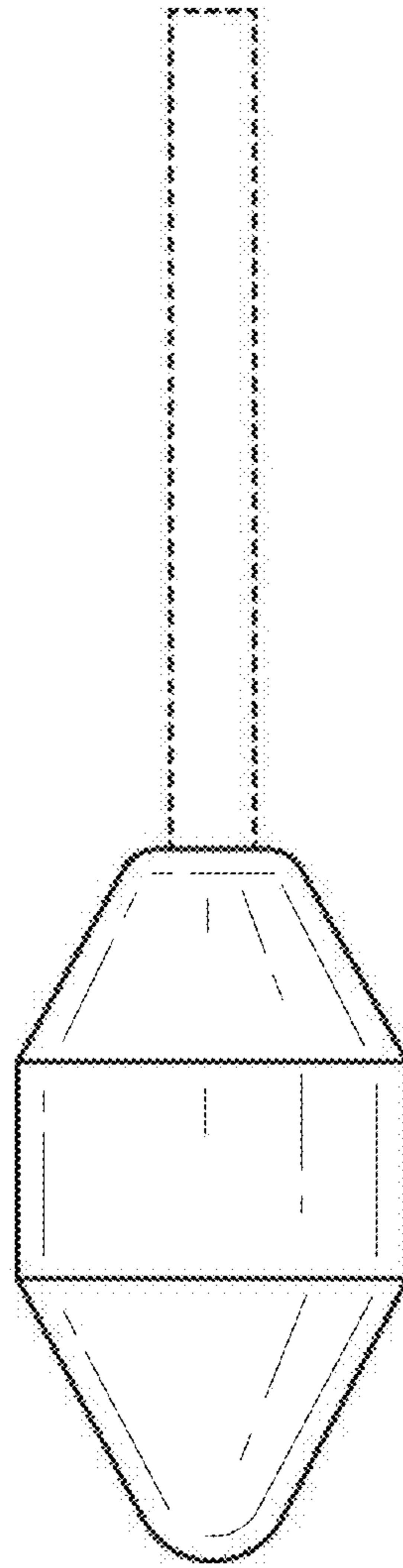


FIG. 10

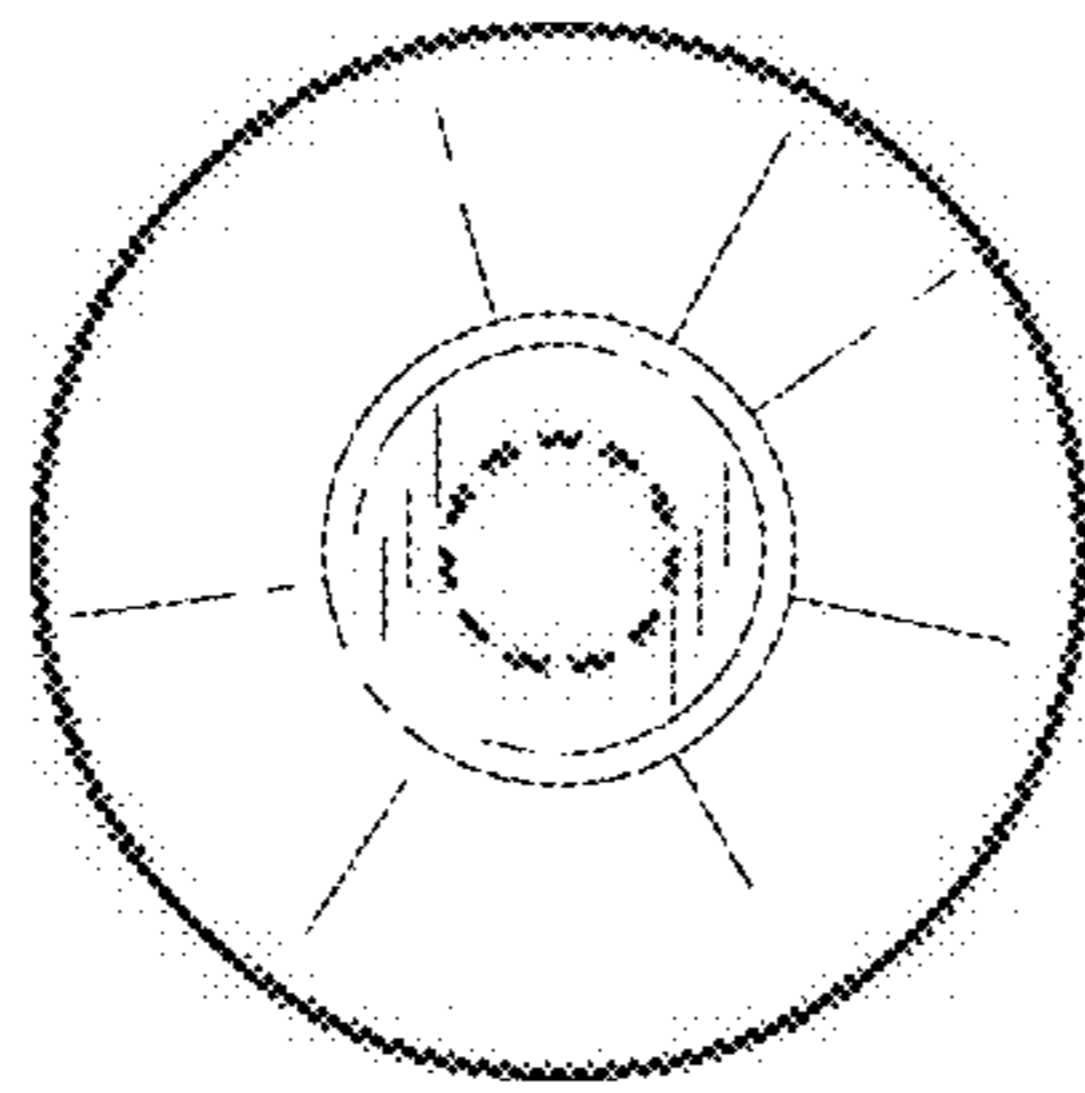


FIG. 12

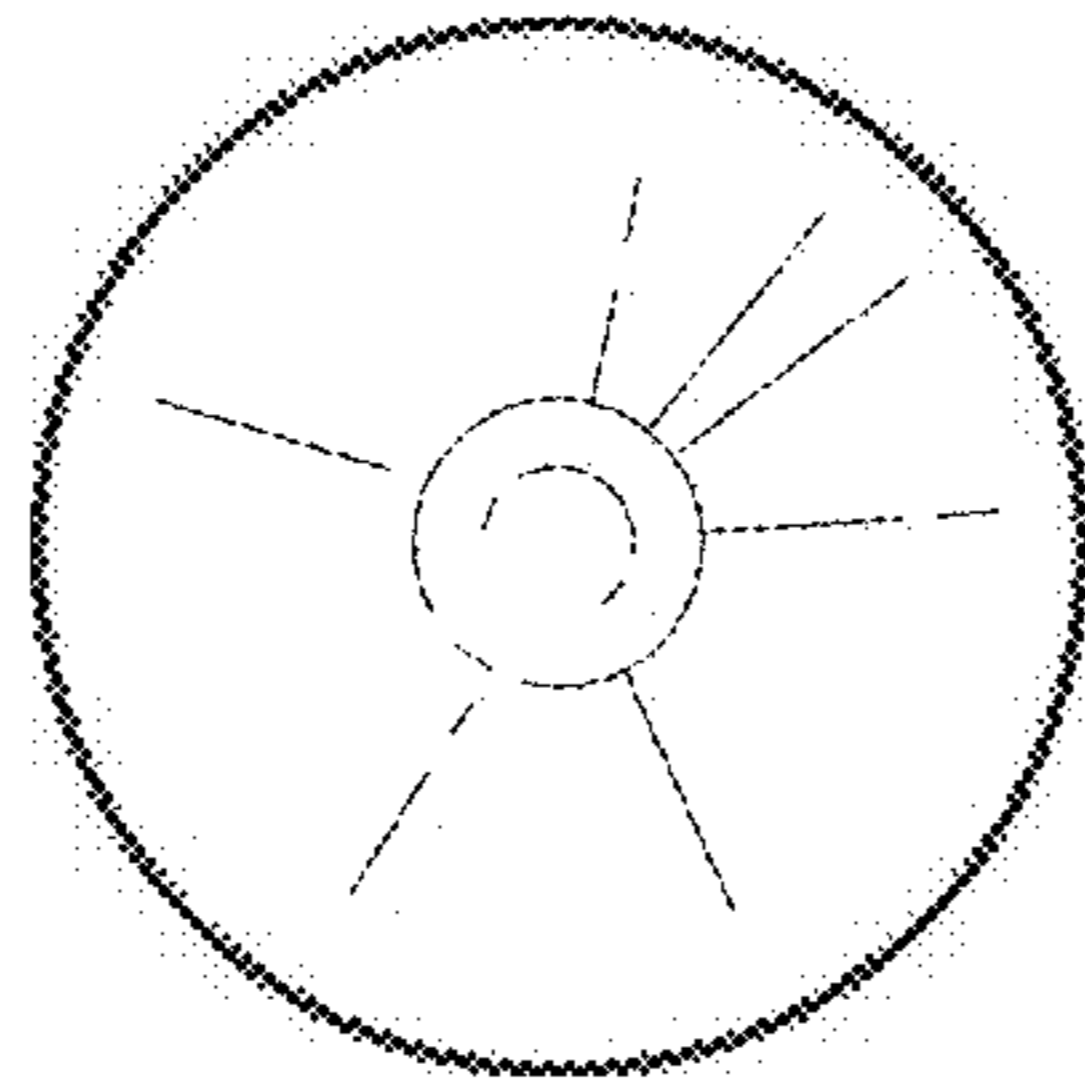


FIG. 11