



US00D873441S

(12) **United States Design Patent**  
**Jiang**

(10) **Patent No.:** **US D873,441 S**

(45) **Date of Patent:** **\*\* Jan. 21, 2020**

(54) **EXTRUSION FOR A BUILDING STRUCTURE**

(71) Applicant: **Jiangmen Eurofix Metal and Rubber Products Co., Ltd.**, Jiangmen, Guangdong Province (CN)

(72) Inventor: **Shizhong Jiang**, Jiangmen (CN)

(73) Assignee: **Jiangmen Eurofix Metal and Rubber Products Co., Ltd.** (CN)

(\*\*) Term: **15 Years**

(21) Appl. No.: **29/645,300**

(22) Filed: **Apr. 25, 2018**

(51) **LOC (12) Cl.** ..... **25-02**

(52) **U.S. Cl.**  
USPC ..... **D25/124**; D25/61; D25/68

(58) **Field of Classification Search**  
USPC ..... D25/35, 60, 61, 62, 68, 119–125, 164, D25/199; D8/354  
CPC ..... A63H 33/00; A63H 33/04; A63H 33/042; A63H 33/044; E04B 1/00; E04B 1/18; E04B 1/19; E04B 1/24; E04B 1/2403; E04B 2001/2466; E04B 2001/2469; E04B 2001/2472; E04B 2001/2475; E04B 2/56; E04B 2/58; E04B 2/60; E04B 2/76; E04B 2/78; E04B 2/7809; E04B 2/7827; E04B 2/7872; E04C 3/00; E04C 3/30; E04C 3/32; E04C 3/083; E04C 3/086; E04C 3/09; E04C 2003/0404; E04C 2003/0443; E04C 2003/0465

See application file for complete search history.

(56) **References Cited**

**U.S. PATENT DOCUMENTS**

D315,027 S \* 2/1991 Abbestam ..... D25/124  
D361,139 S \* 8/1995 Nomura ..... D25/61  
D363,997 S \* 11/1995 Nomura ..... D25/61  
D366,322 S \* 1/1996 Palermo ..... D25/124

D373,832 S \* 9/1996 Nomura ..... D25/61  
D436,414 S \* 1/2001 Sjöholm ..... D25/164  
D438,993 S \* 3/2001 Sjöholm ..... D25/164

(Continued)

*Primary Examiner* — L. Martinez

(74) *Attorney, Agent, or Firm* — Mark E. Bandy; Rankin Hill & Clark, LLP

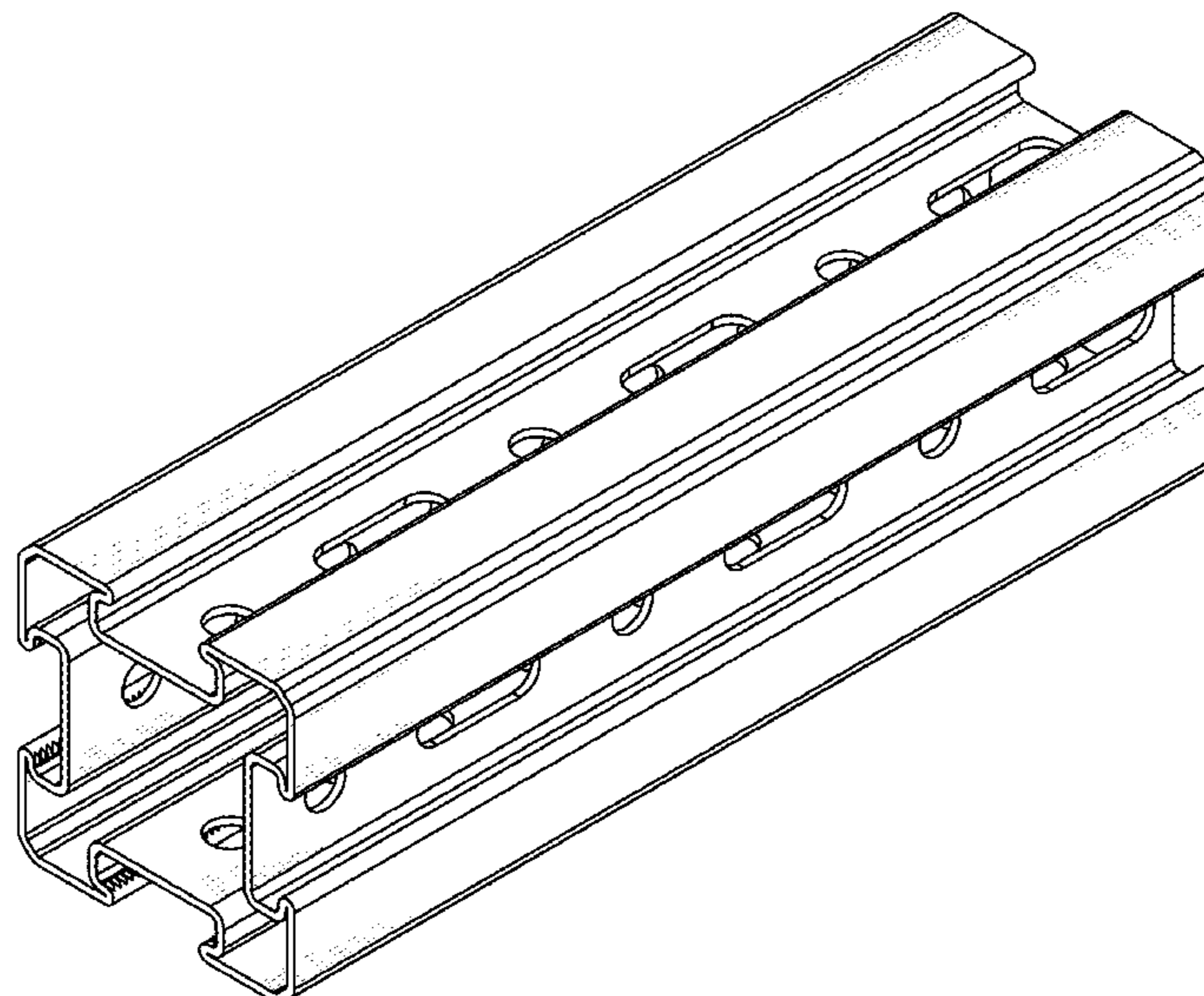
(57) **CLAIM**

The ornamental design for an extrusion for a building structure, as shown and described.

**DESCRIPTION**

FIG. 1 is a perspective view of the first embodiment of an extrusion for a building structure, showing my new design; FIG. 2 is a front view thereof; FIG. 3 is a back view thereof; FIG. 4 is a left side view thereof; FIG. 5 is a right side view thereof; FIG. 6 is a top view thereof; FIG. 7 is a bottom view thereof; FIG. 8 is a perspective view of the second embodiment of the extrusion for a building structure, showing my new design; FIG. 9 is a front view thereof; FIG. 10 is a back view thereof; FIG. 11 is a left side view thereof; FIG. 12 is a right side view thereof; FIG. 13 is a top view thereof; FIG. 14 is a bottom view thereof; FIG. 15 is a perspective view of the third embodiment of the extrusion for a building structure, showing my new design; FIG. 16 is a front view thereof; FIG. 17 is a back view thereof; FIG. 18 is a left side view thereof; FIG. 19 is a right side view thereof; FIG. 20 is a top view thereof; and, FIG. 21 is a bottom view thereof.

**1 Claim, 21 Drawing Sheets**



(56)

## References Cited

## U.S. PATENT DOCUMENTS

D497,211 S \* 10/2004 Strassle ..... D25/61  
D521,656 S \* 5/2006 Terrels ..... D25/122  
7,464,513 B2 \* 12/2008 Rioux ..... E04H 12/08  
52/651.01  
D600,829 S \* 9/2009 Munakata ..... D25/61  
D600,830 S \* 9/2009 Munakata ..... D25/61  
D600,831 S \* 9/2009 Munakata ..... D25/61  
D611,673 S \* 3/2010 Andrews ..... D34/35  
D676,576 S \* 2/2013 Oetlinger ..... D25/61  
D708,353 S \* 7/2014 Oetlinger ..... D25/61  
D747,127 S \* 1/2016 Chang ..... D25/120  
D764,140 S \* 8/2016 Holzhaeuser ..... D25/124  
D809,994 S \* 2/2018 Braddock, III ..... D15/138  
9,993,074 B1 \* 6/2018 Osecki ..... A01G 9/28  
2003/0159397 A1 \* 8/2003 Birnbaum ..... E04C 3/07  
52/843  
2009/0197025 A1 \* 8/2009 Burst ..... E06B 3/26307  
428/34.1  
2013/0034383 A1 \* 2/2013 Chong ..... E04B 1/24  
52/831  
2014/0174019 A1 \* 6/2014 Timko ..... E04C 3/30  
52/651.07  
2014/0260083 A1 \* 9/2014 Zhang ..... E04B 1/185  
52/843  
2015/0010343 A1 \* 1/2015 Flaig ..... E04B 1/5831  
403/188  
2016/0138261 A1 \* 5/2016 Zhang ..... E04C 3/09  
52/831  
2017/0215345 A1 \* 8/2017 Penterman ..... A01G 9/28  
2019/0024362 A1 \* 1/2019 Pfeiffer ..... E04B 1/2403  
2019/0218778 A1 \* 7/2019 Jiang ..... E04C 3/09

\* cited by examiner

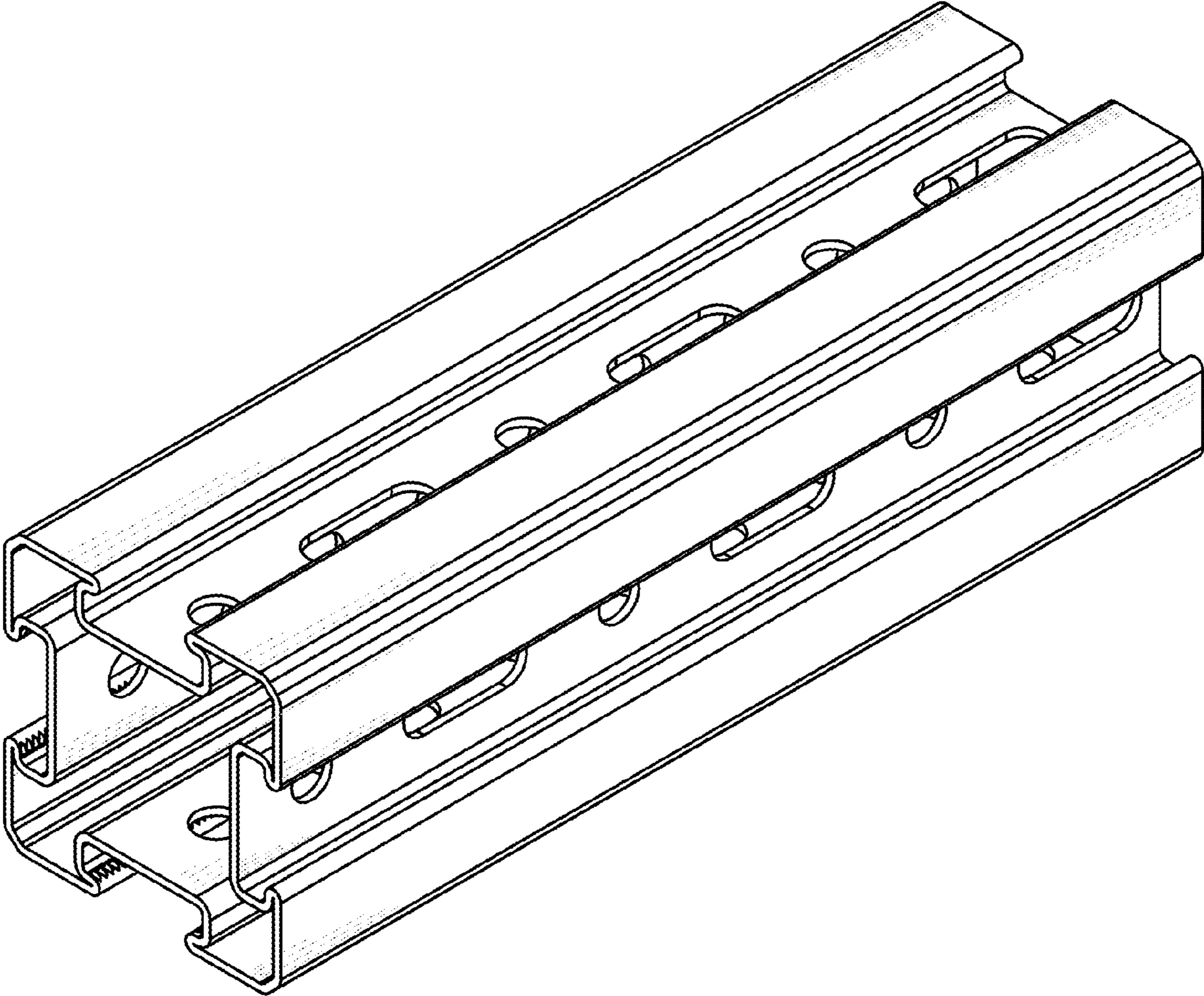


FIG.1

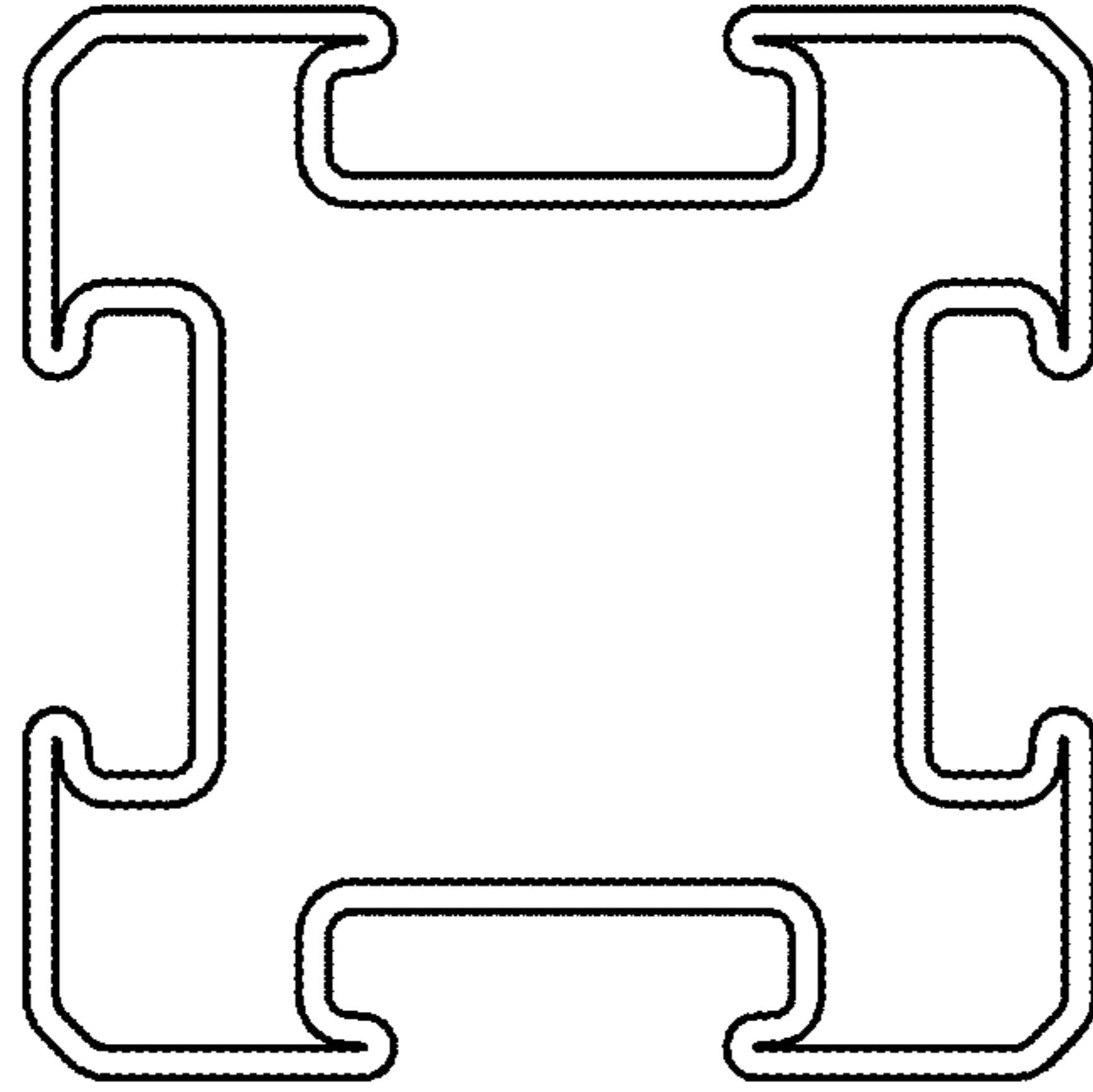


FIG.2

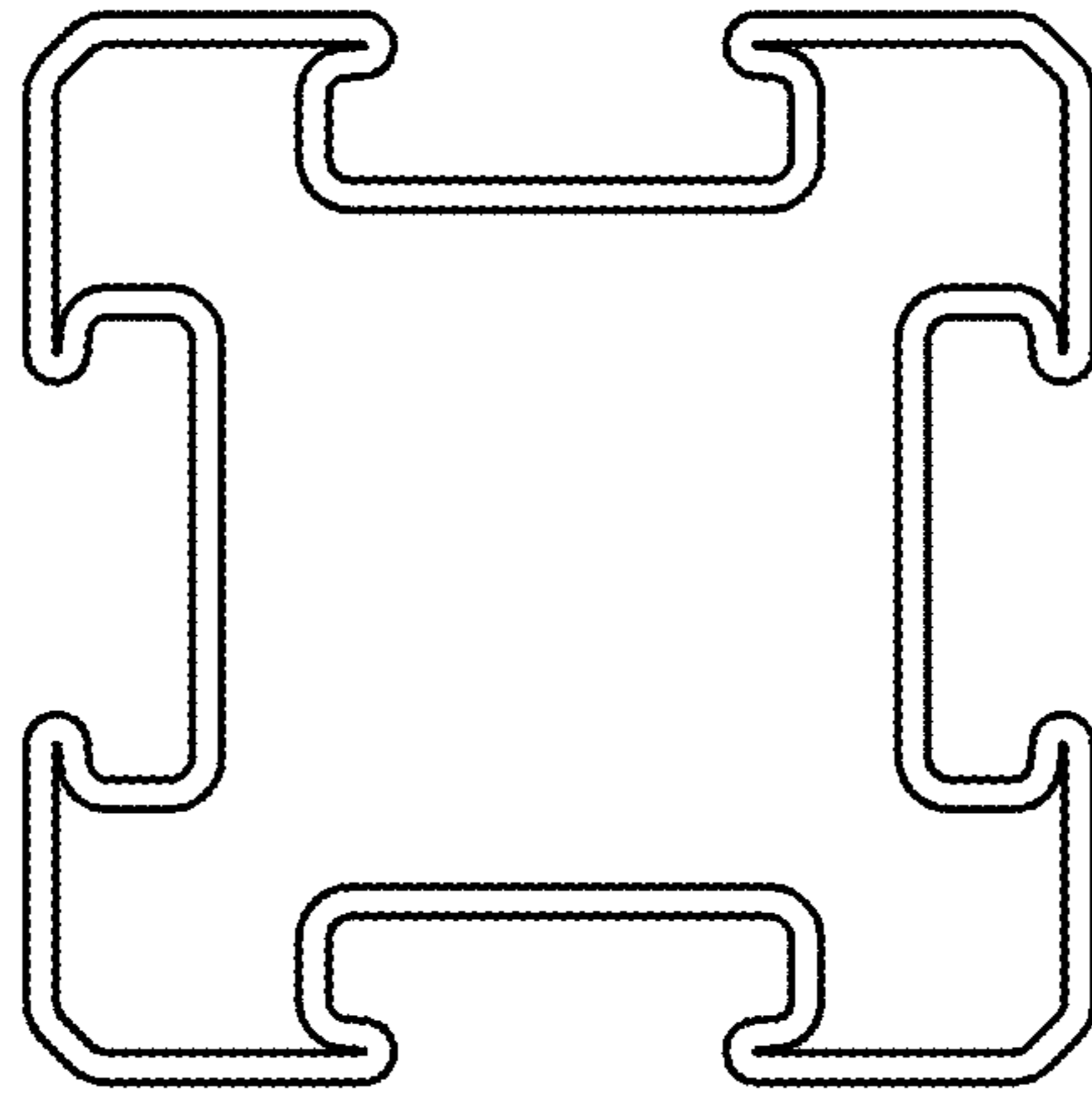


FIG.3

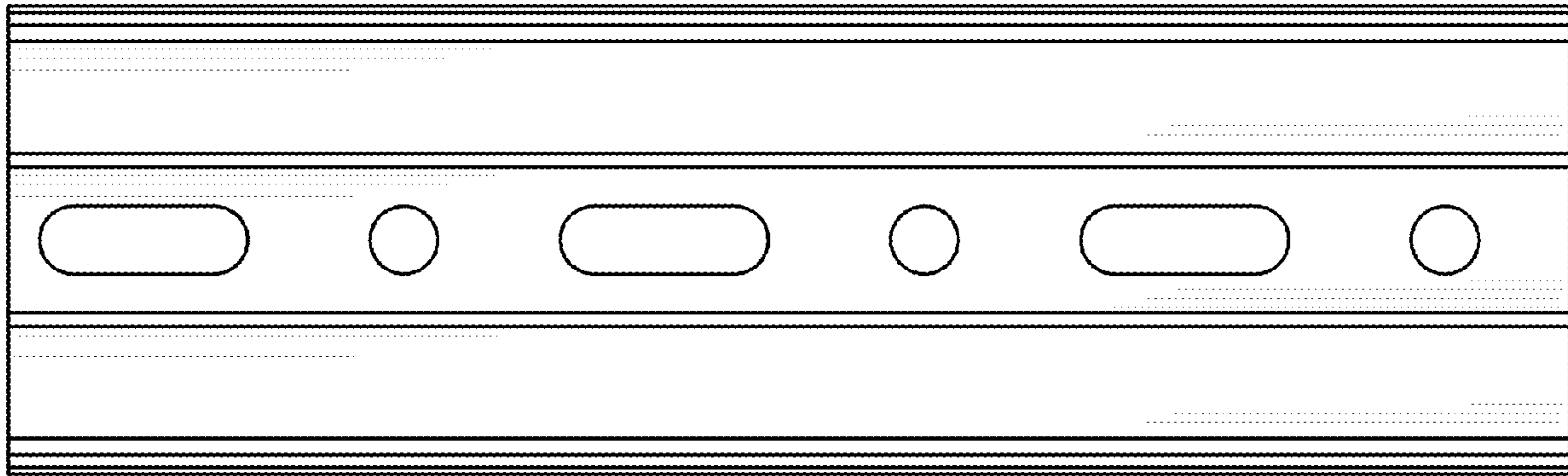


FIG.4

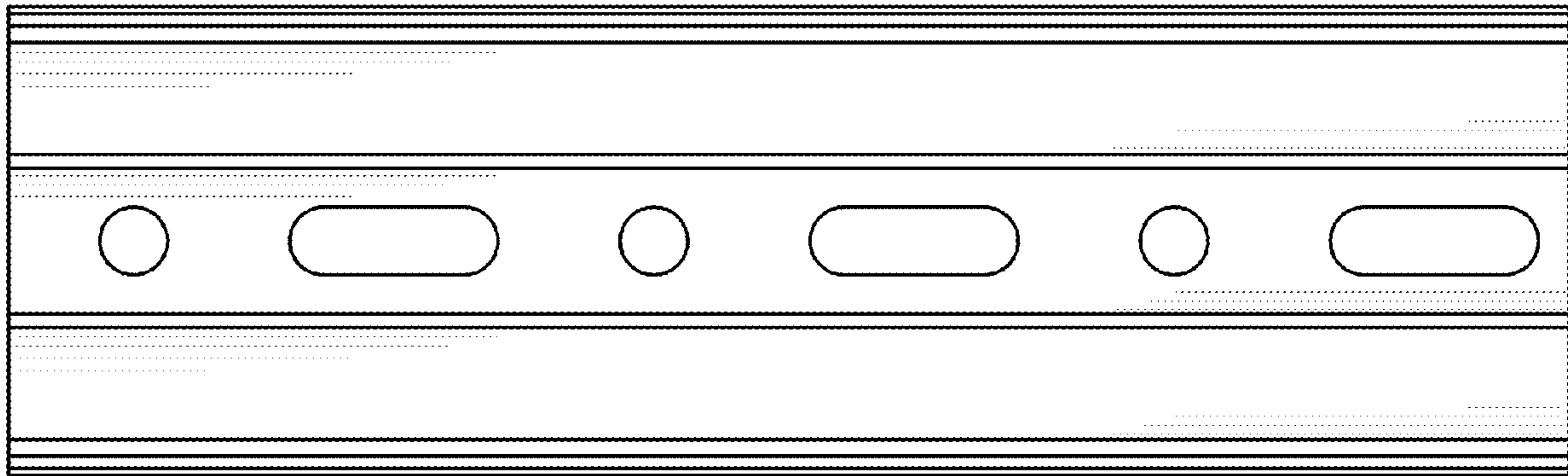


FIG. 5

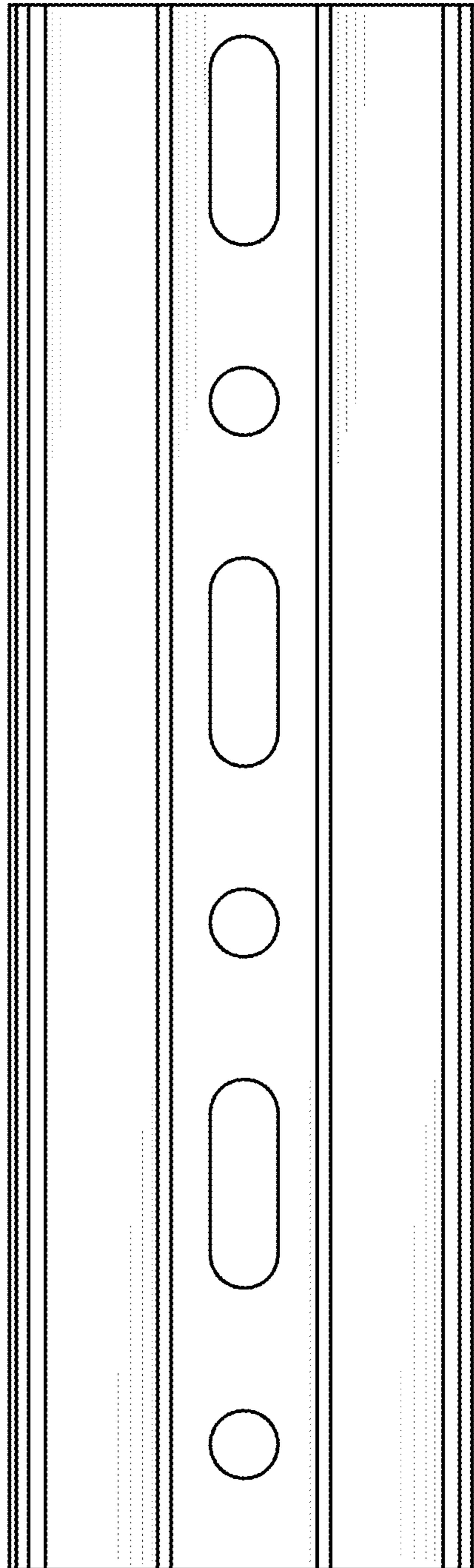


FIG.6



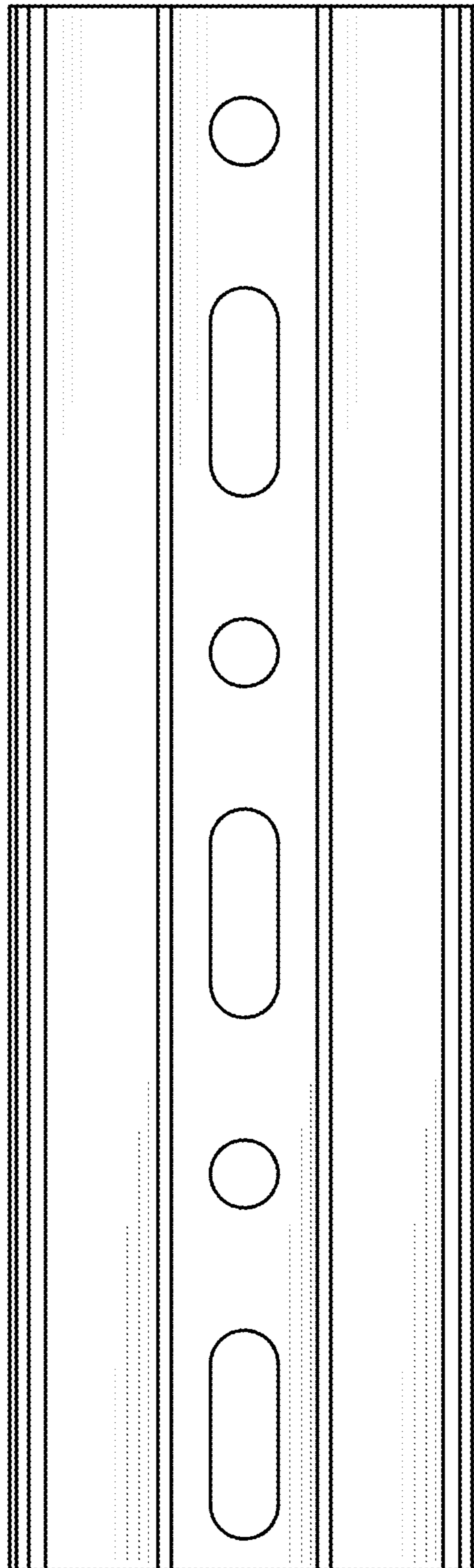


FIG. 7

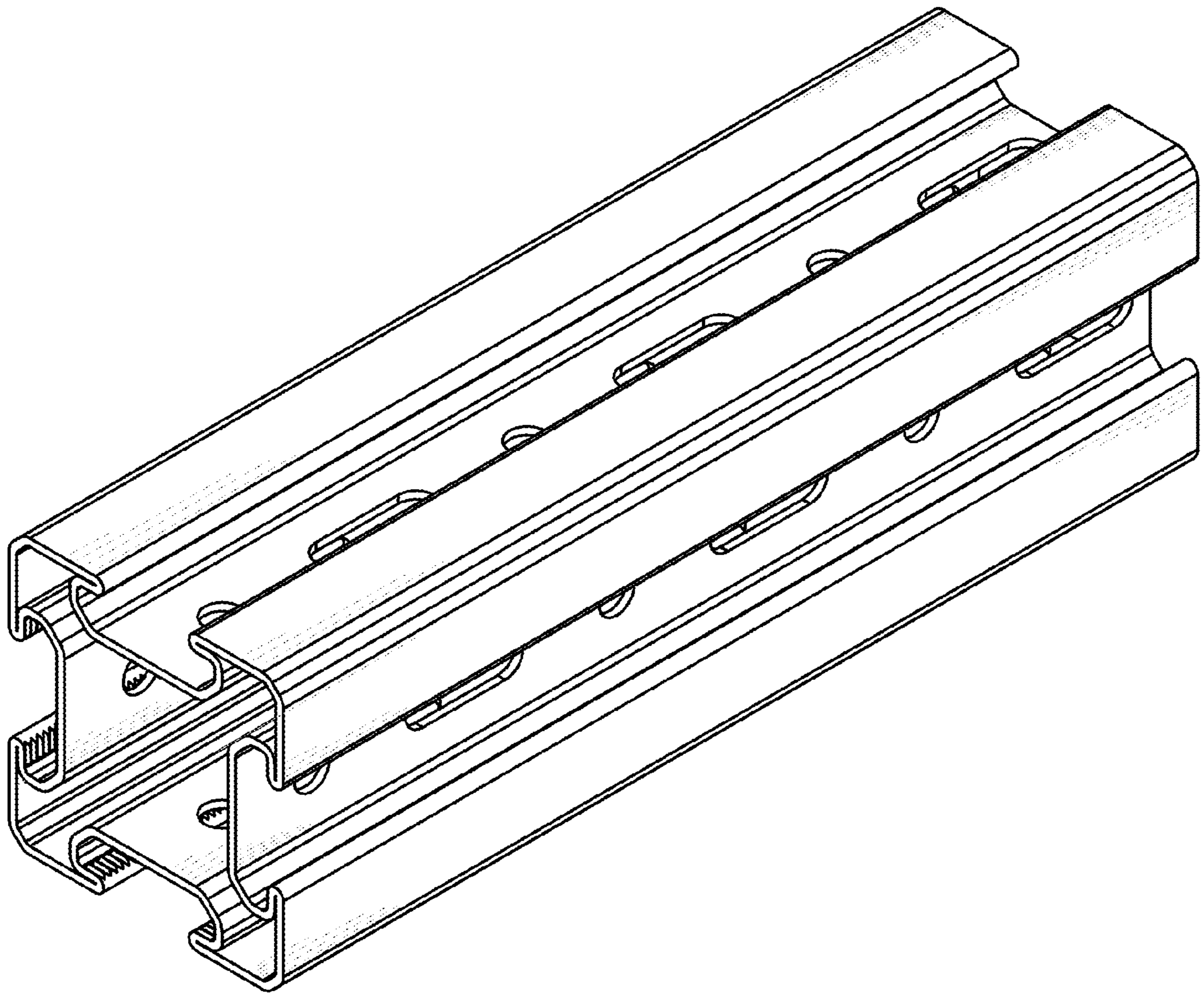


FIG.8

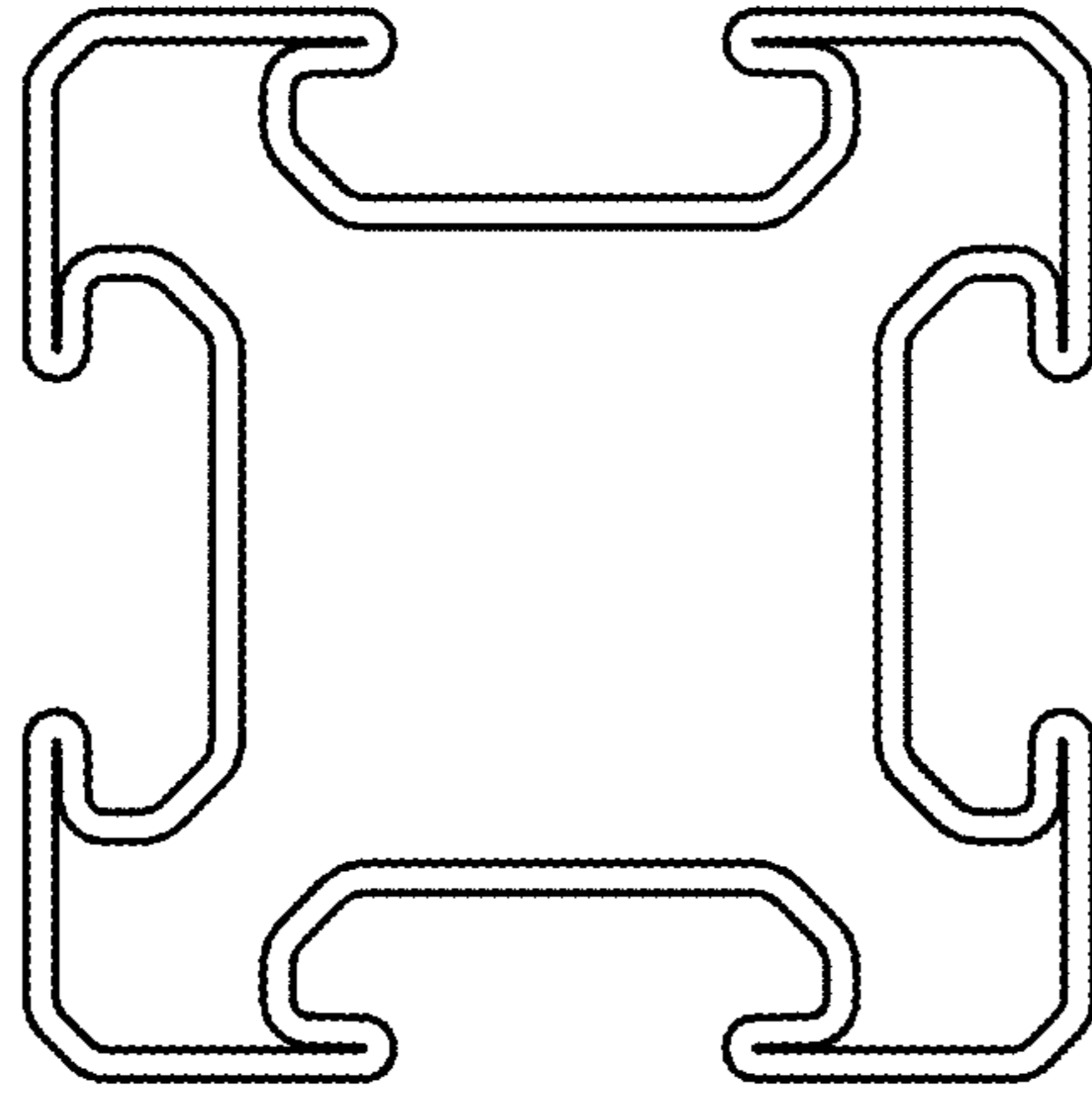


FIG.9

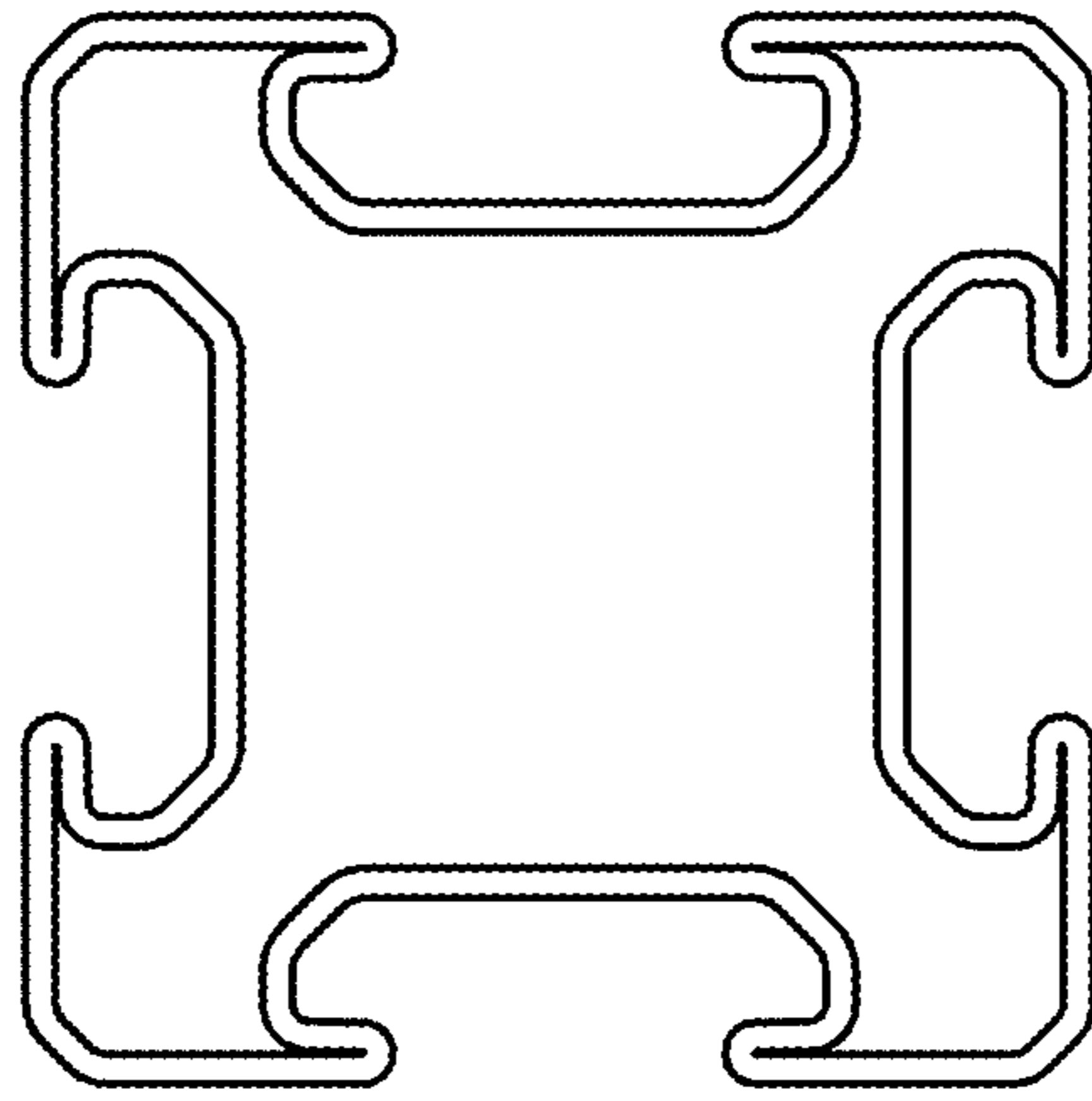


FIG. 10

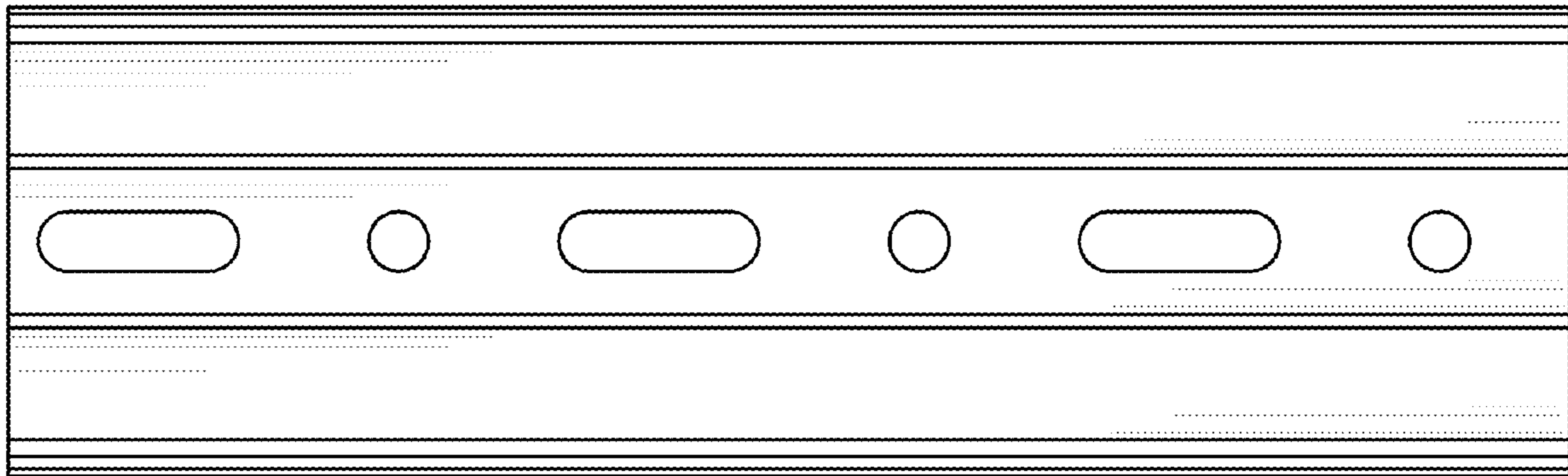


FIG.11

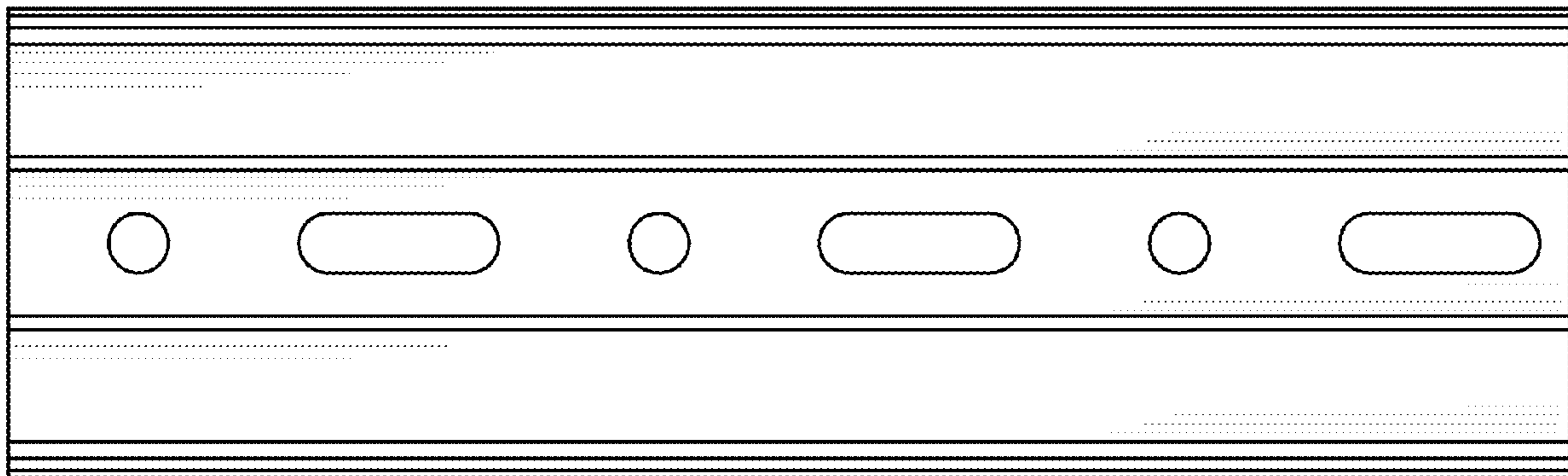


FIG. 12

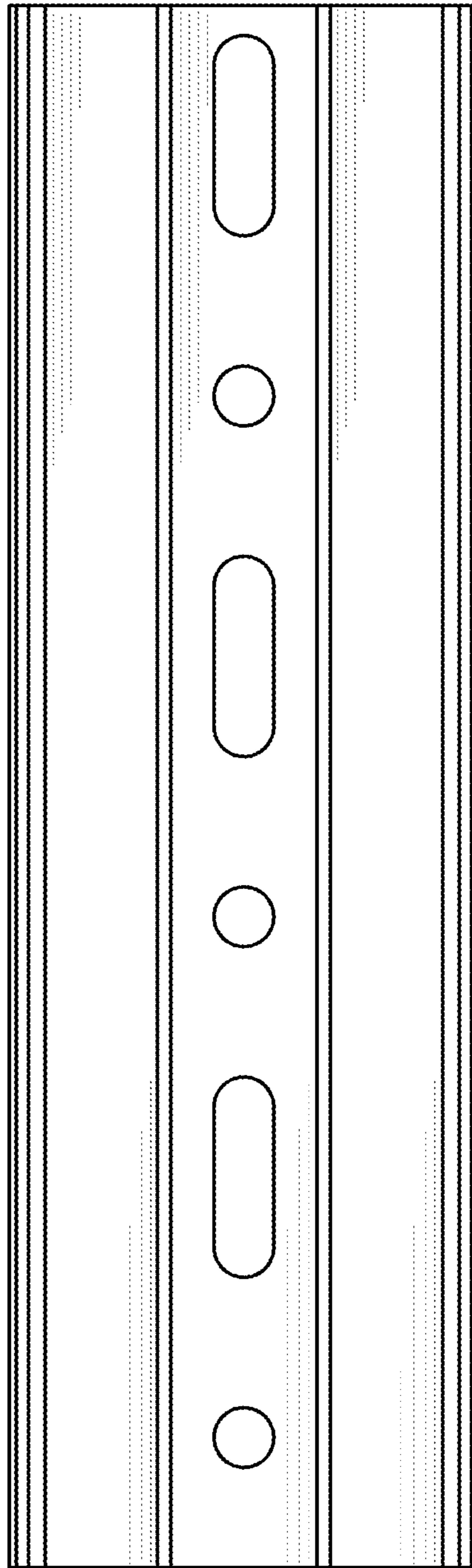


FIG. 13

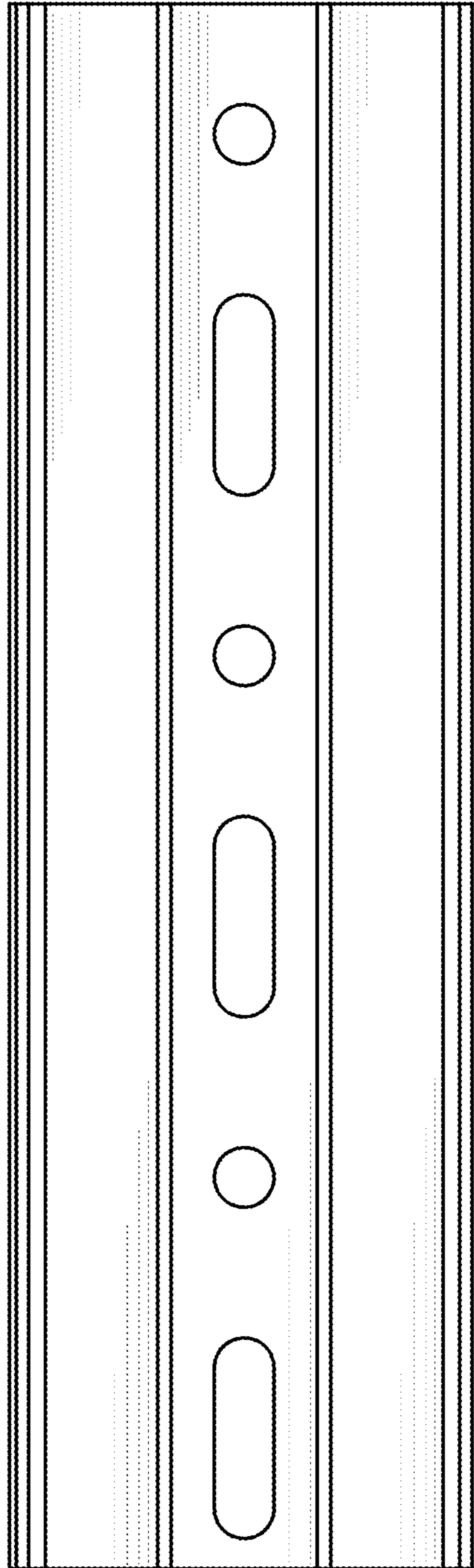


FIG. 14



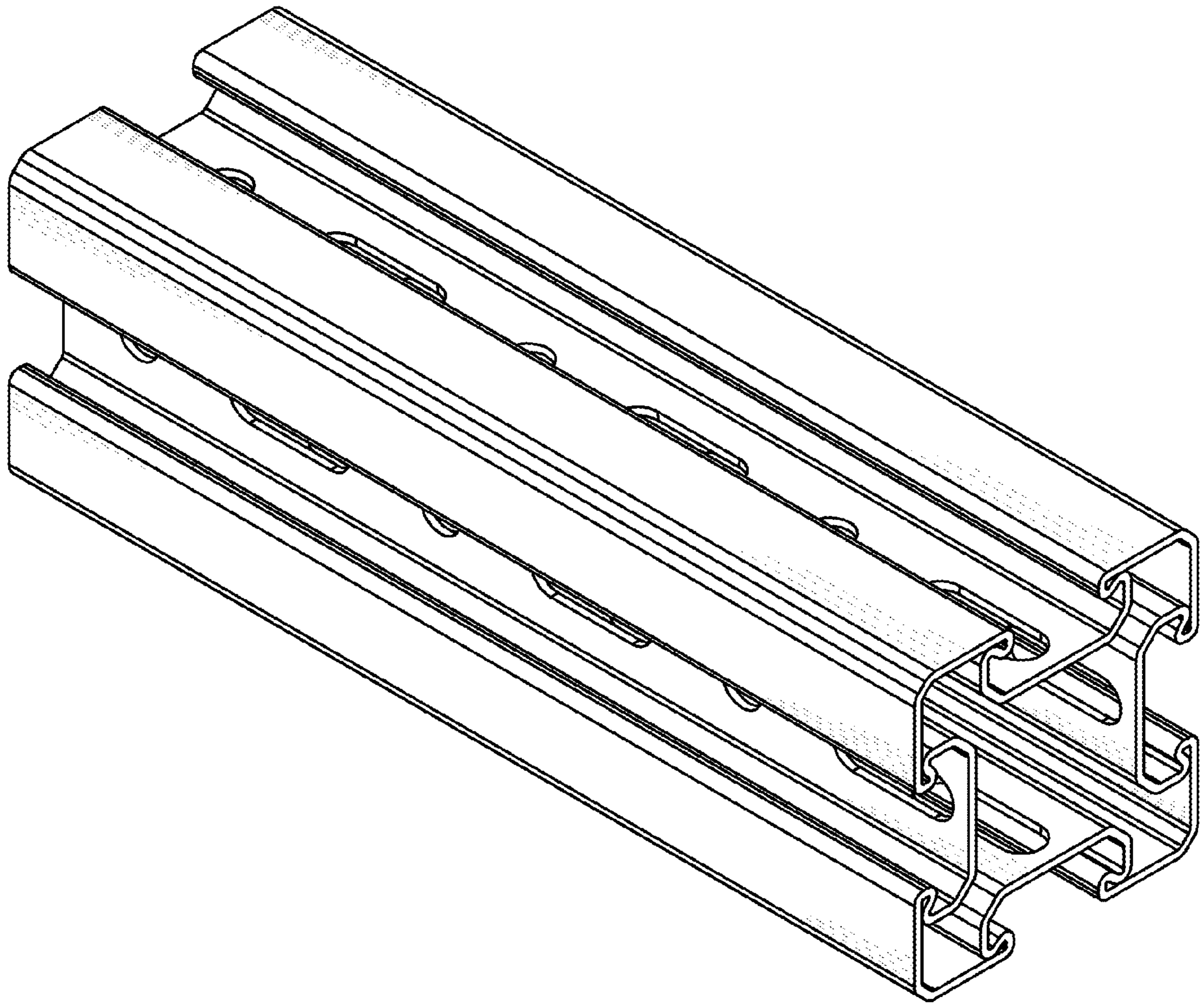


FIG.15

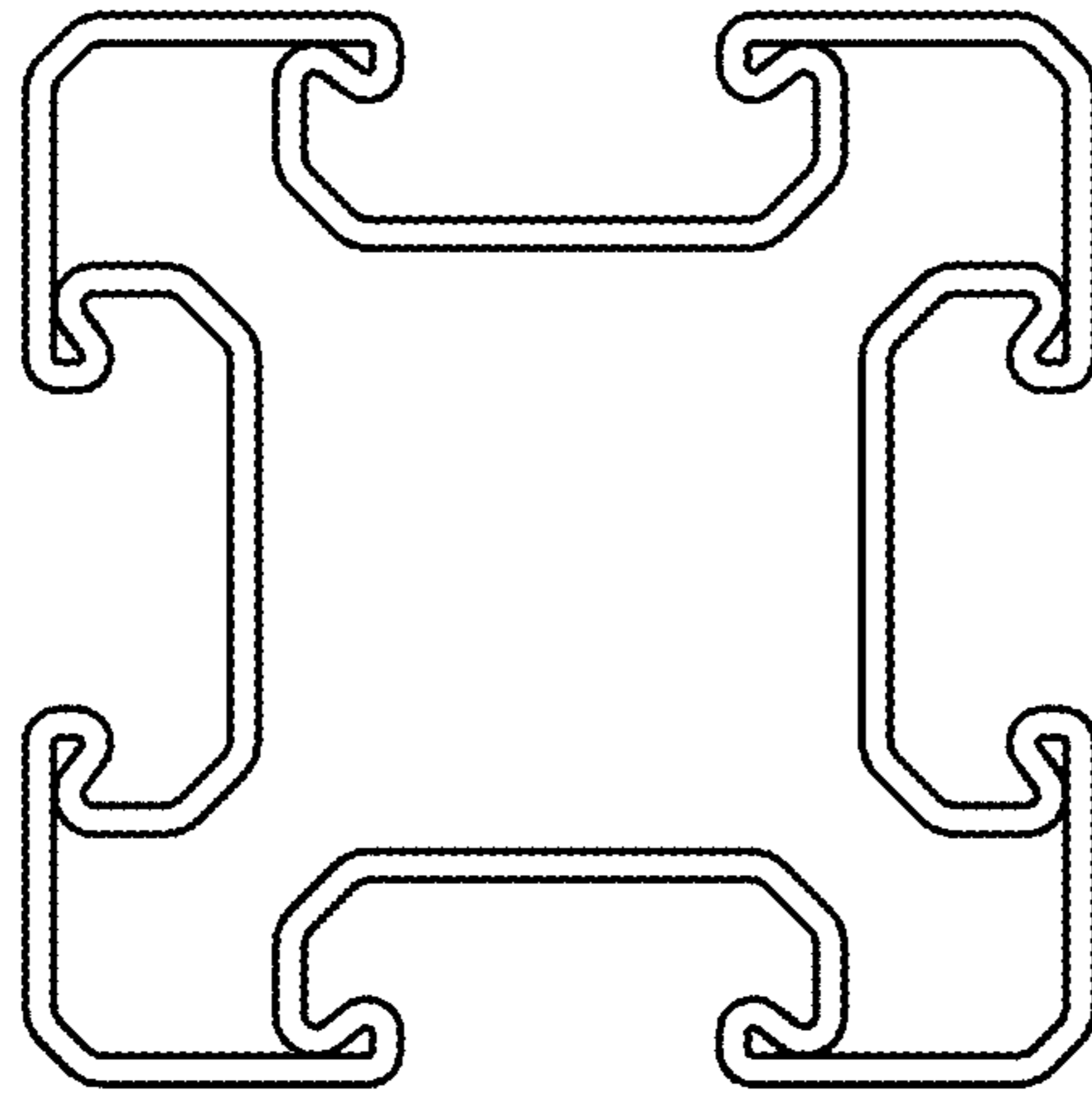


FIG.16

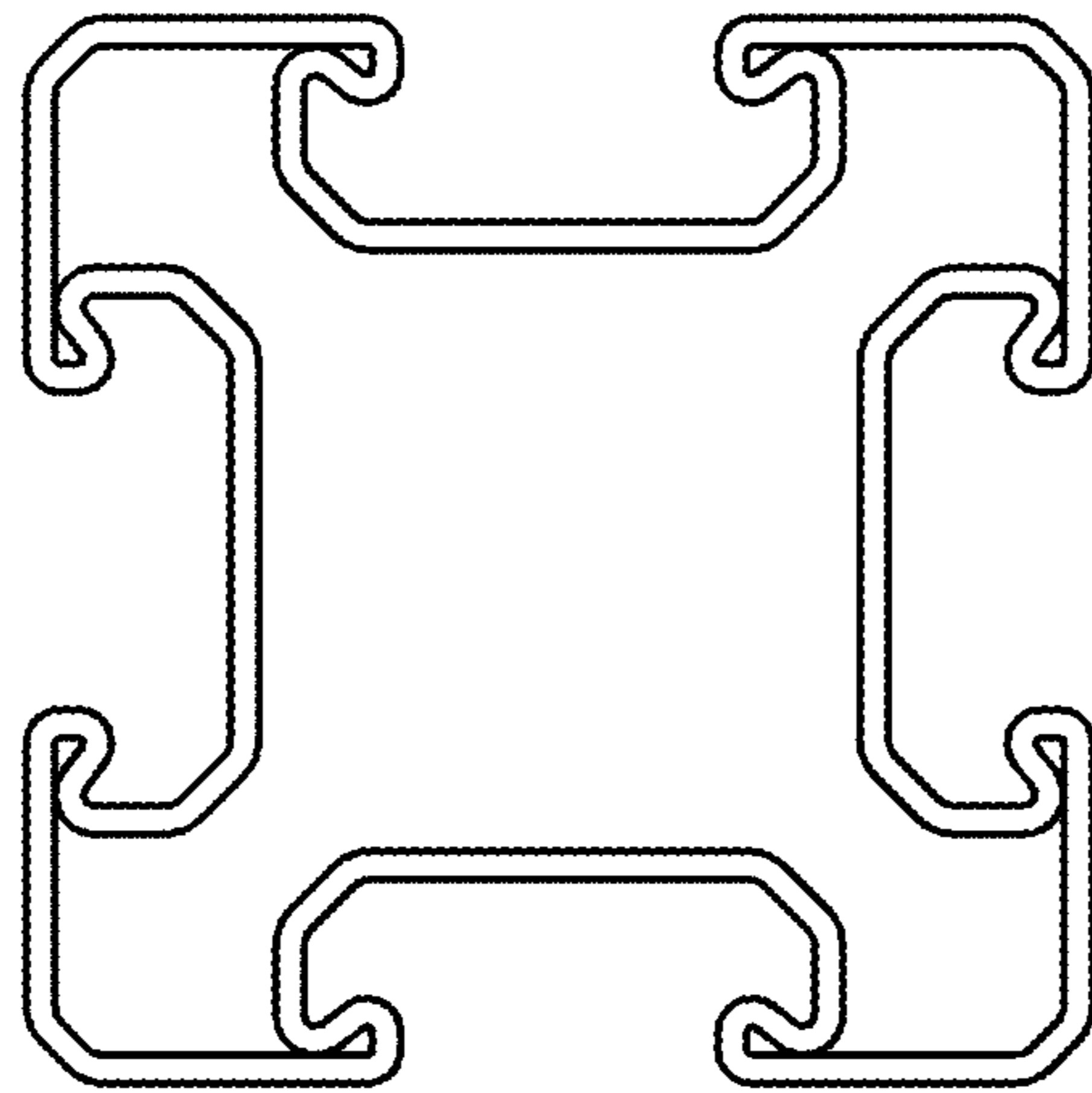


FIG.17

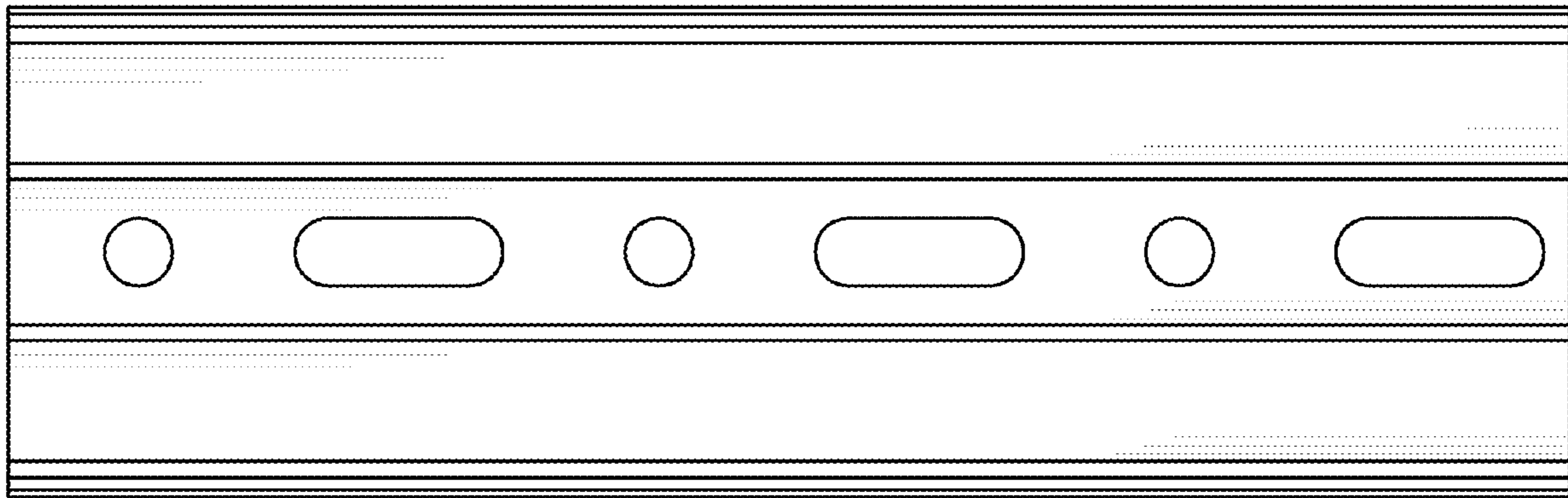


FIG.18

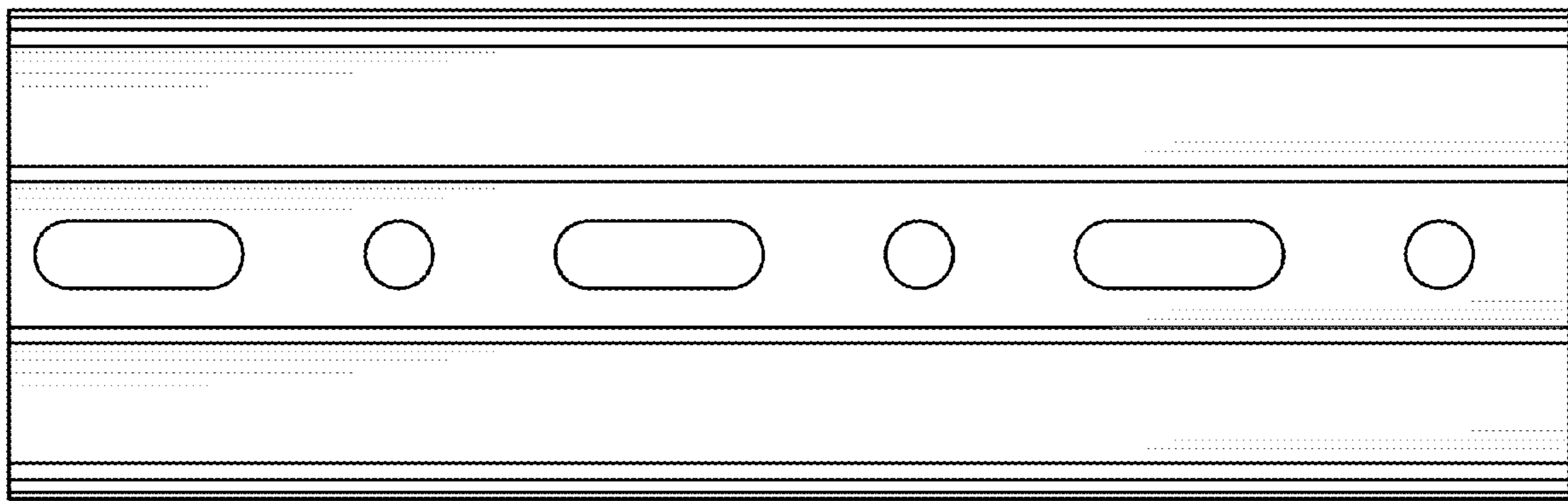


FIG.19

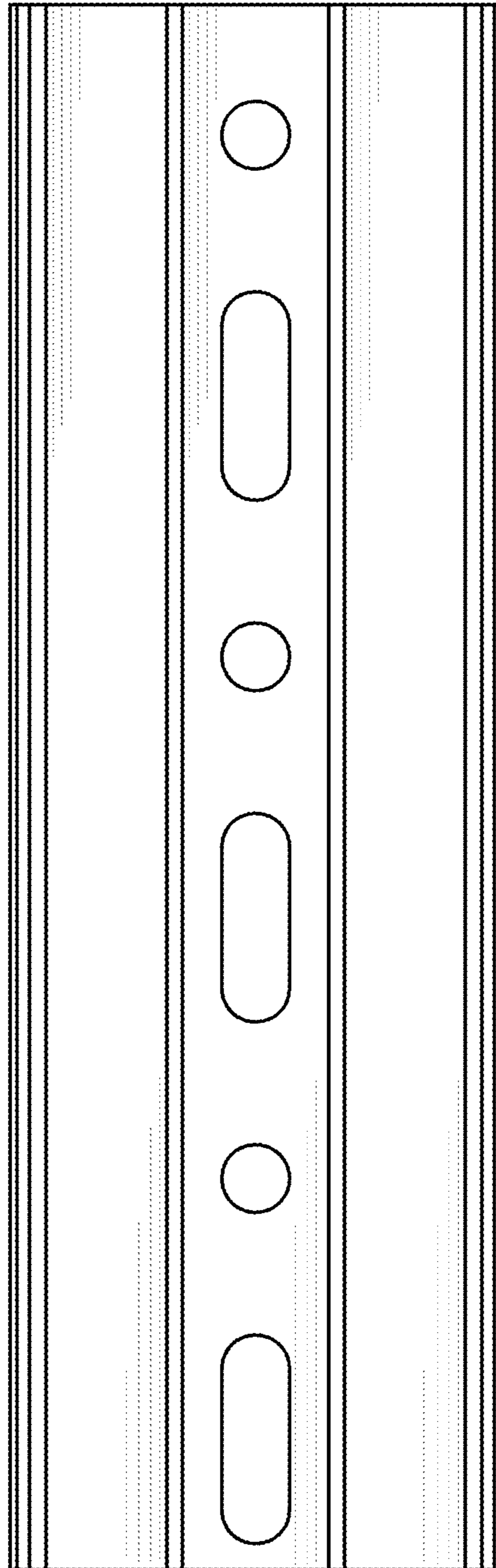


FIG.20

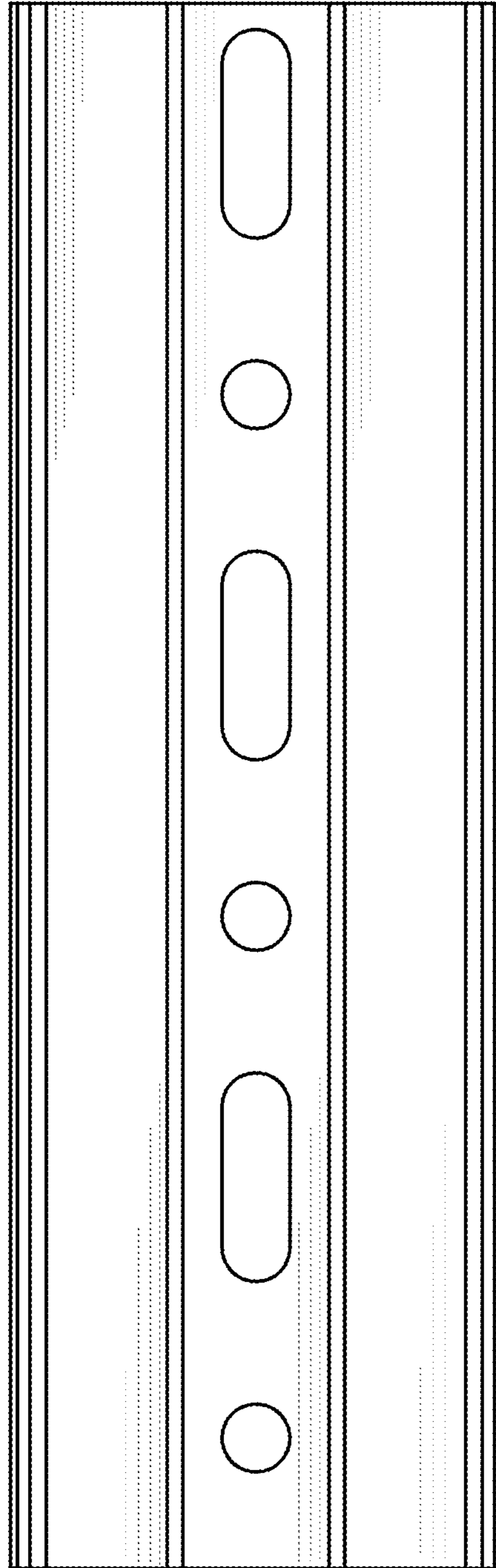


FIG.21