

US00D873440S

(12) **United States Design Patent** (10) **Patent No.:** **US D873,440 S**  
**Kendall** (45) **Date of Patent:** **\*\* Jan. 21, 2020**

(54) **THRESHOLD CAP**  
(71) Applicant: **Endura Products, Inc.**, Colfax, NC (US)  
(72) Inventor: **Adam Kendall**, Burlington, NC (US)  
(73) Assignee: **Endura Products, Inc.**, Colfax, NC (US)  
  
(\*\*) Term: **15 Years**  
(21) Appl. No.: **29/645,341**  
(22) Filed: **Apr. 25, 2018**  
(51) **LOC (12) Cl.** ..... **25-02**  
(52) **U.S. Cl.**  
USPC ..... **D25/48.2**  
(58) **Field of Classification Search**  
USPC ..... D25/48.3, 60, 119, 124, 125, 136, 164, D25/199  
CPC ..... E06B 1/70; E06B 7/14; E06B 7/18; E06B 7/205; E06B 7/232; E06B 7/2314; E06B 7/2316; E06B 2001/707; E06B 3/9632  
See application file for complete search history.

6,789,358 B2 9/2004 Procton et al.  
D549,850 S 8/2007 Perlman  
D573,723 S \* 7/2008 Vibiano ..... D25/136  
D627,488 S 11/2010 Abdollahzadeh et al.  
D638,958 S \* 5/2011 Van Camp ..... D25/119  
8,522,483 B2 \* 9/2013 Van Camp ..... E06B 1/70 49/303  
D722,387 S \* 2/2015 Van Camp ..... D25/48.2  
(Continued)

**OTHER PUBLICATIONS**

Endura Products Technical Bulletin <http://www.waudenamillwork.com/SiteAssets/Documents/Astragal%20Boot%20and%20Pad.pdf> Jul. 30, 2015 (Year: 2015).\*

(Continued)

*Primary Examiner* — Leanne Was-Englehart  
(74) *Attorney, Agent, or Firm* — Womble Bond Dickinson (US) LLP

(57) **CLAIM**

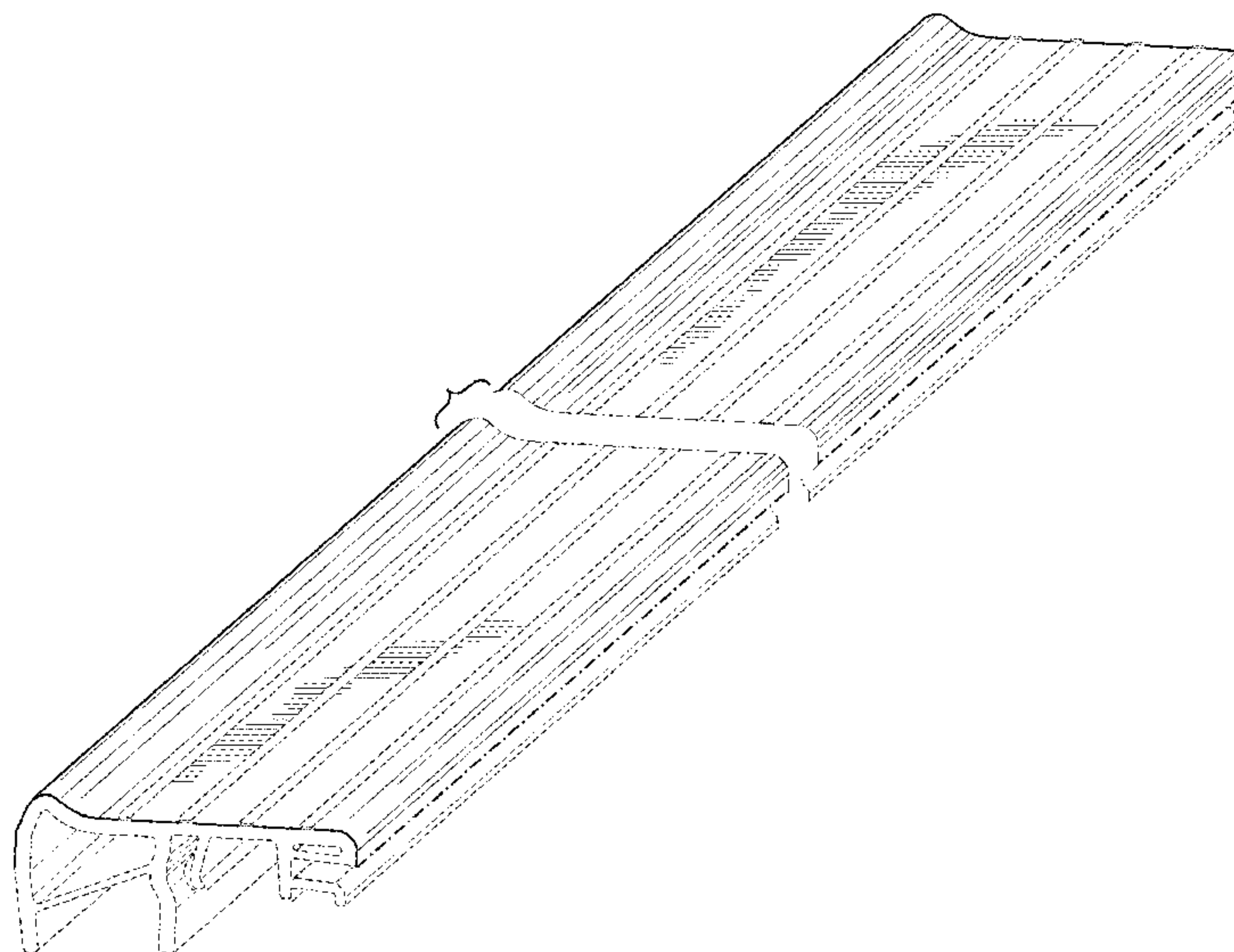
The ornamental design for a threshold cap, as shown and described.

**DESCRIPTION**

FIG. 1 is a profile view of my new design applied to a threshold cap;  
FIG. 2 is a profile view thereof illustrated with environmental elements;  
FIG. 3 is a top exterior perspective view thereof; and,  
FIG. 4 is a top interior perspective view thereof.  
The views not shown form no part of the claimed design. The dash-dot lines represent unclaimed boundaries of the claimed design. The dash-dash lines in the figures represent portions and environmental elements that form no part of the claimed design. The bracketed dash-dot lines illustrates a symbolic break such that the portion between the bracketed dash-dot lines forms no part of the claimed design.

**1 Claim, 4 Drawing Sheets**

(56) **References Cited**  
U.S. PATENT DOCUMENTS  
3,900,967 A 8/1975 Bursk et al.  
4,538,380 A 9/1985 Colliander  
5,136,814 A 8/1992 Headrick  
5,283,977 A 2/1994 Smith  
5,426,894 A 6/1995 Headrick  
D366,119 S \* 1/1996 Headrick ..... D25/48.2  
5,588,266 A 12/1996 Headrick  
5,611,173 A 3/1997 Headrick et al.  
5,943,825 A 8/1999 Procton et al.  
6,052,949 A 4/2000 Procton et al.  
6,289,635 B1 9/2001 Procton et al.  
6,412,227 B1 7/2002 De Zen  
D474,844 S \* 5/2003 Babka ..... D25/48.2  
D488,243 S 4/2004 Babka et al.



(56)

**References Cited**

U.S. PATENT DOCUMENTS

8,991,100 B2 \* 3/2015 Van Camp ..... E06B 1/70  
 49/469  
 9,528,314 B2 \* 12/2016 Mitchell ..... E06B 7/18  
 D797,309 S \* 9/2017 Jaskiewicz ..... D25/48.2  
 D812,772 S \* 3/2018 Chapman ..... D25/48.2  
 D820,470 S \* 6/2018 Chapman ..... D25/48.2  
 10,066,433 B2 \* 9/2018 Van Camp ..... E06B 1/70  
 10,077,593 B2 \* 9/2018 Meeks ..... E06B 1/70  
 2004/0200153 A1 10/2004 Khanlarian  
 2013/0047518 A1 \* 2/2013 Van Camp ..... E06B 1/70  
 49/468  
 2013/0199100 A1 \* 8/2013 Van Camp ..... E06B 1/70  
 49/468  
 2016/0340968 A1 \* 11/2016 Mitchell ..... E06B 7/18

OTHER PUBLICATIONS

This is Carpentry Endura's Articulating Threshold <https://www.thisiscarpentry.com/2014/06/27/enduras-articulating-threshold/> Jun. 27, 2014 (Year: 2014).\*

Therma-tru Doors, Composite Outswing Sill, 2016 Full-Line Catalog, known at least as early as Apr. 24, 2018, 1 pg.

Worldwide Door Components, Outswing Sill, [http://www.wwph.com.cn/products.asp?class\\_pd=2&id=2&class\\_pd2=2&class\\_pd3=2&fi=THRESHOLDS](http://www.wwph.com.cn/products.asp?class_pd=2&id=2&class_pd2=2&class_pd3=2&fi=THRESHOLDS), known at least as early as Apr. 24, 2018, 1 pg.

GPI Millworks, Outswing Sill, <https://gpimillworks.com/pultruded-fiberglass-sills/>, known at least as early as Apr. 24, 2018, 1 pg.

\* cited by examiner

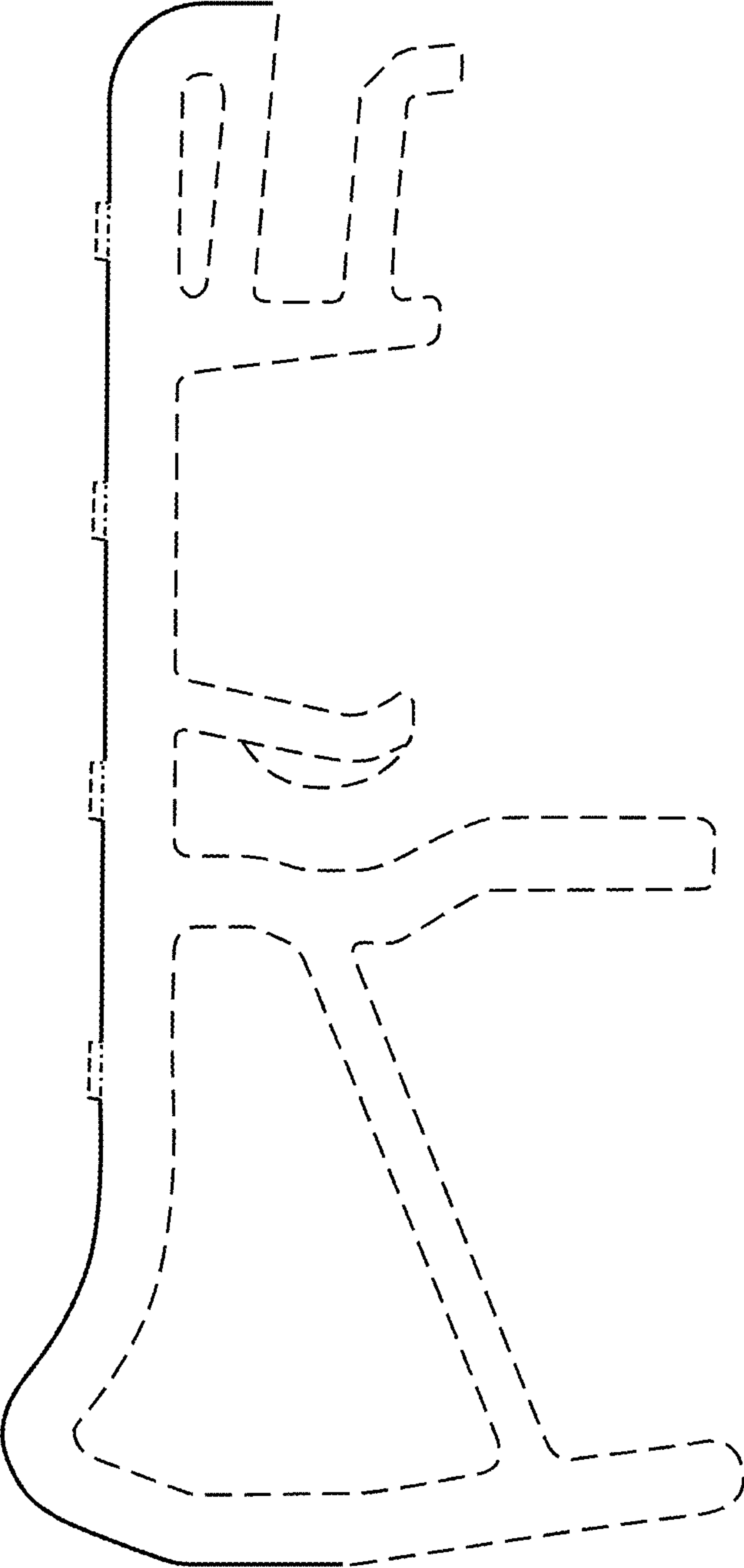


FIG. 1

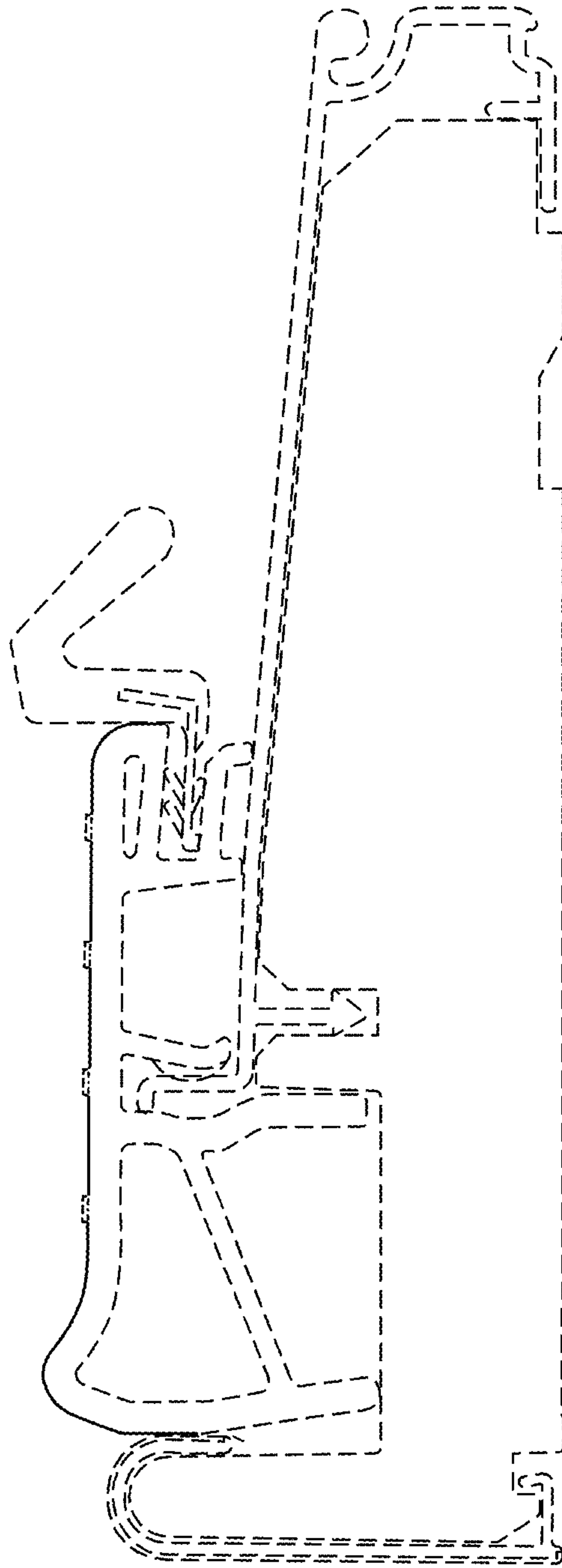


FIG. 2



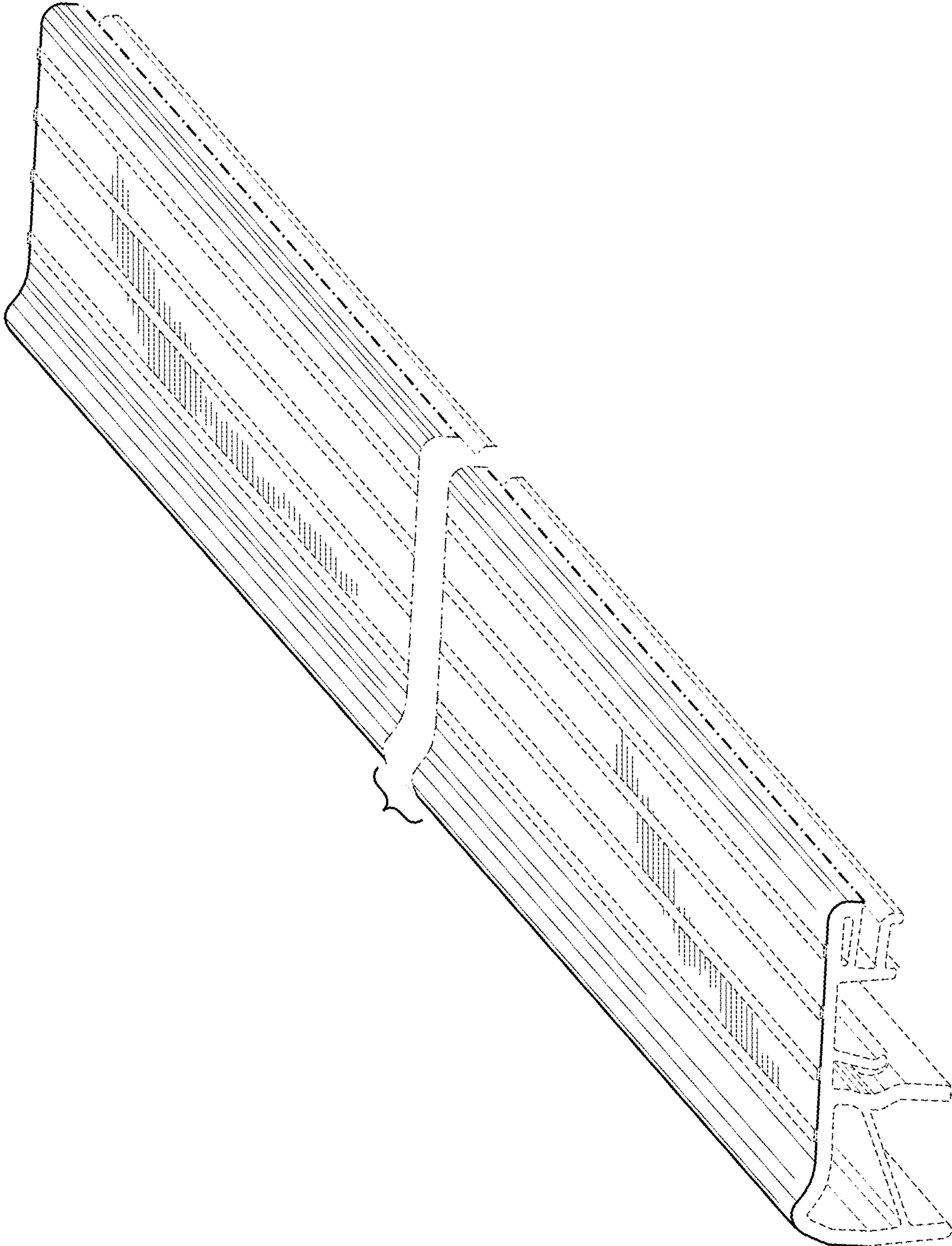


FIG. 3

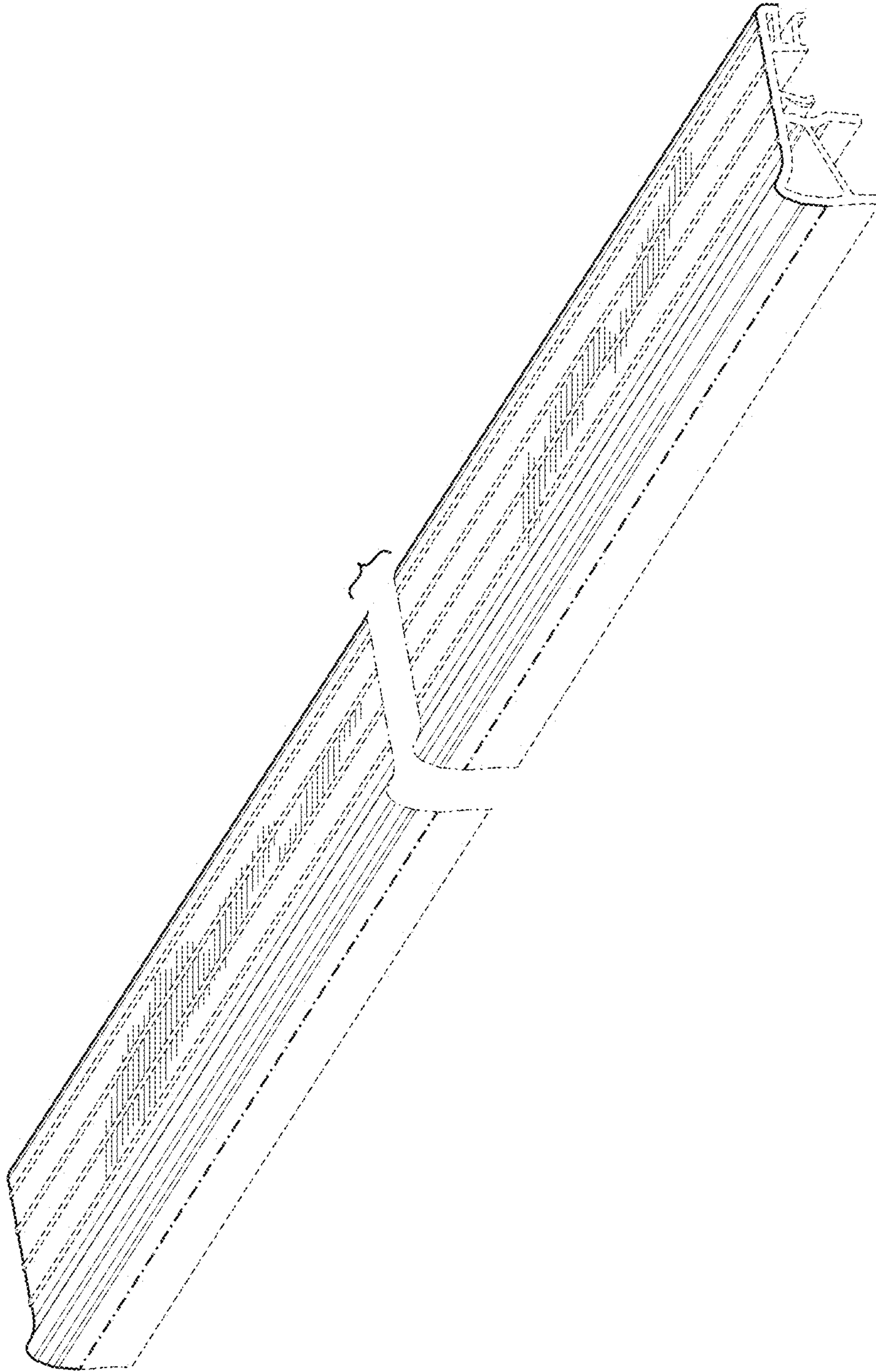


FIG. 4