



US00D873437S

(12) **United States Design Patent** (10) **Patent No.:** **US D873,437 S**
Zhu (45) **Date of Patent:** **** Jan. 21, 2020**

(54) **BOOTH**

(56) **References Cited**

(71) Applicant: **3DS ENGINEERING
PROCUREMENT CONSTRUCTION
SUZHOU CO., LTD., Suzhou (CN)**

U.S. PATENT DOCUMENTS

(72) Inventor: **Weiwei Zhu, Kunshan (CN)**

D596,313	S	*	7/2009	Perrine	D25/1
D726,332	S	*	4/2015	Barbosa	D25/16
D789,551	S	*	6/2017	Mayer	D25/16
D816,244	S	*	4/2018	Mayer	D25/16
D844,810	S	*	4/2019	Hallfors	D25/16
D844,818	S	*	4/2019	Zhu	D25/16
D844,826	S	*	4/2019	Kwong	D25/18
2002/0194796	A1	*	12/2002	Kress	E04H 1/125 52/79.1
2008/0005974	A1	*	1/2008	Delgado Vazquez	E04H 1/125 52/36.1
2013/0067834	A1	*	3/2013	Downey	E04H 1/125 52/173.1

(73) Assignee: **3DS ENGINEERING
PROCUREMENT CONSTRUCTION
SUZHOU CO., LTD., Suzhou (CN)**

(**) Term: **15 Years**

(21) Appl. No.: **29/655,532**

* cited by examiner

(22) Filed: **Jul. 4, 2018**

Primary Examiner — Brett Miller

(30) **Foreign Application Priority Data**

(74) *Attorney, Agent, or Firm* — SZDC Law P.C.

Jan. 17, 2018 (CN) 2018 3 0020878

(57) **CLAIM**

The ornamental design for a booth, as shown and described.

(51) **LOC (12) Cl.** **25-03**

DESCRIPTION

(52) **U.S. Cl.**
USPC **D25/16**

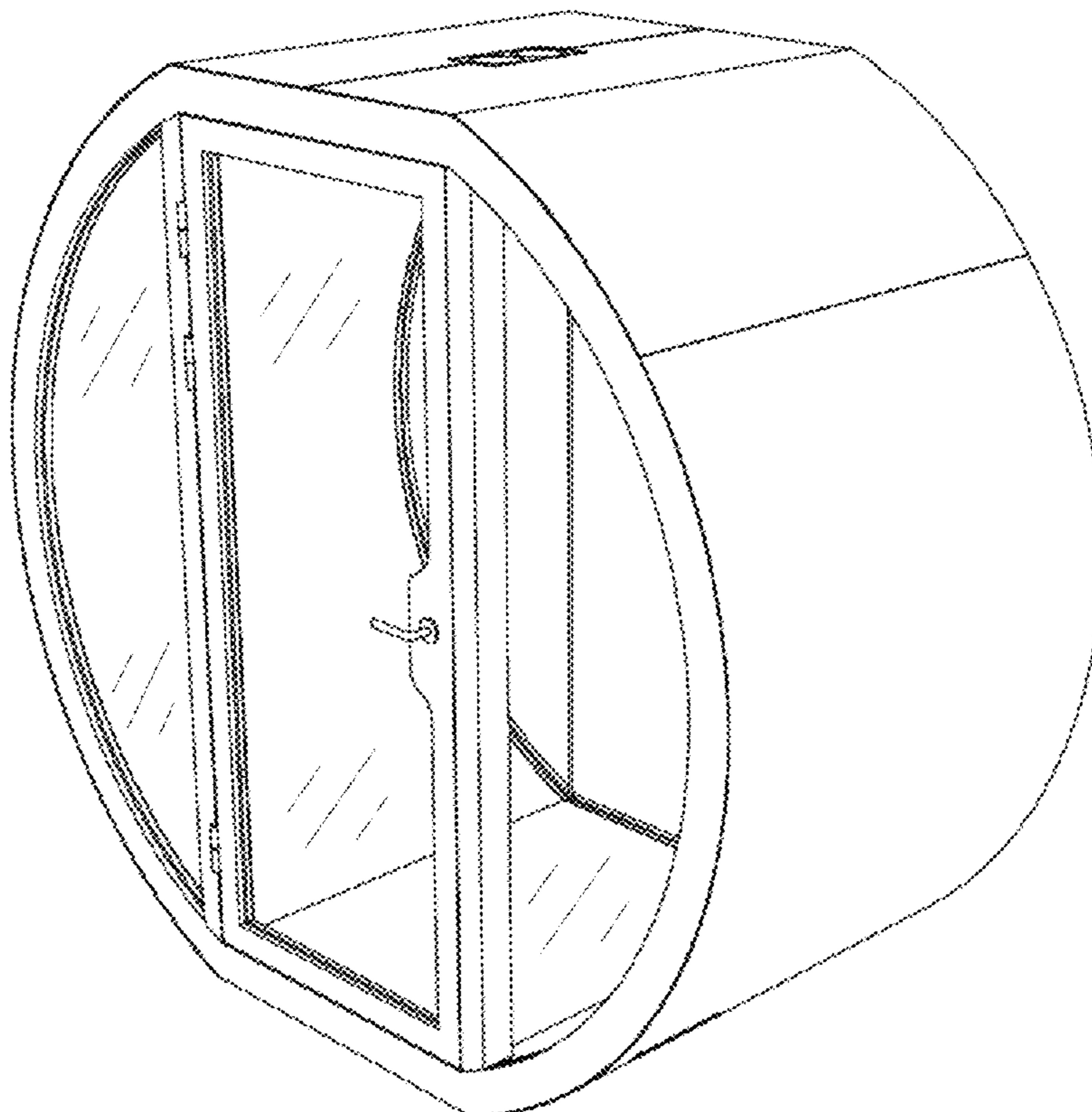
(58) **Field of Classification Search**
USPC D25/1, 4, 15, 16, 17-35; D6/640;
52/79.1

FIG. 1 is a front perspective view of the booth;
FIG. 2 is a back perspective view thereof;
FIG. 3 is a back view thereof;
FIG. 4 is a front view thereof;
FIG. 5 is a left view thereof;
FIG. 6 is a right view thereof; and,
FIG. 7 is a top view thereof.

CPC .. E04H 1/00-1244; E04H 1/125-1277; E04H
1/14; E04H 2001/1283-1294; E04H 9/14

See application file for complete search history.

1 Claim, 7 Drawing Sheets



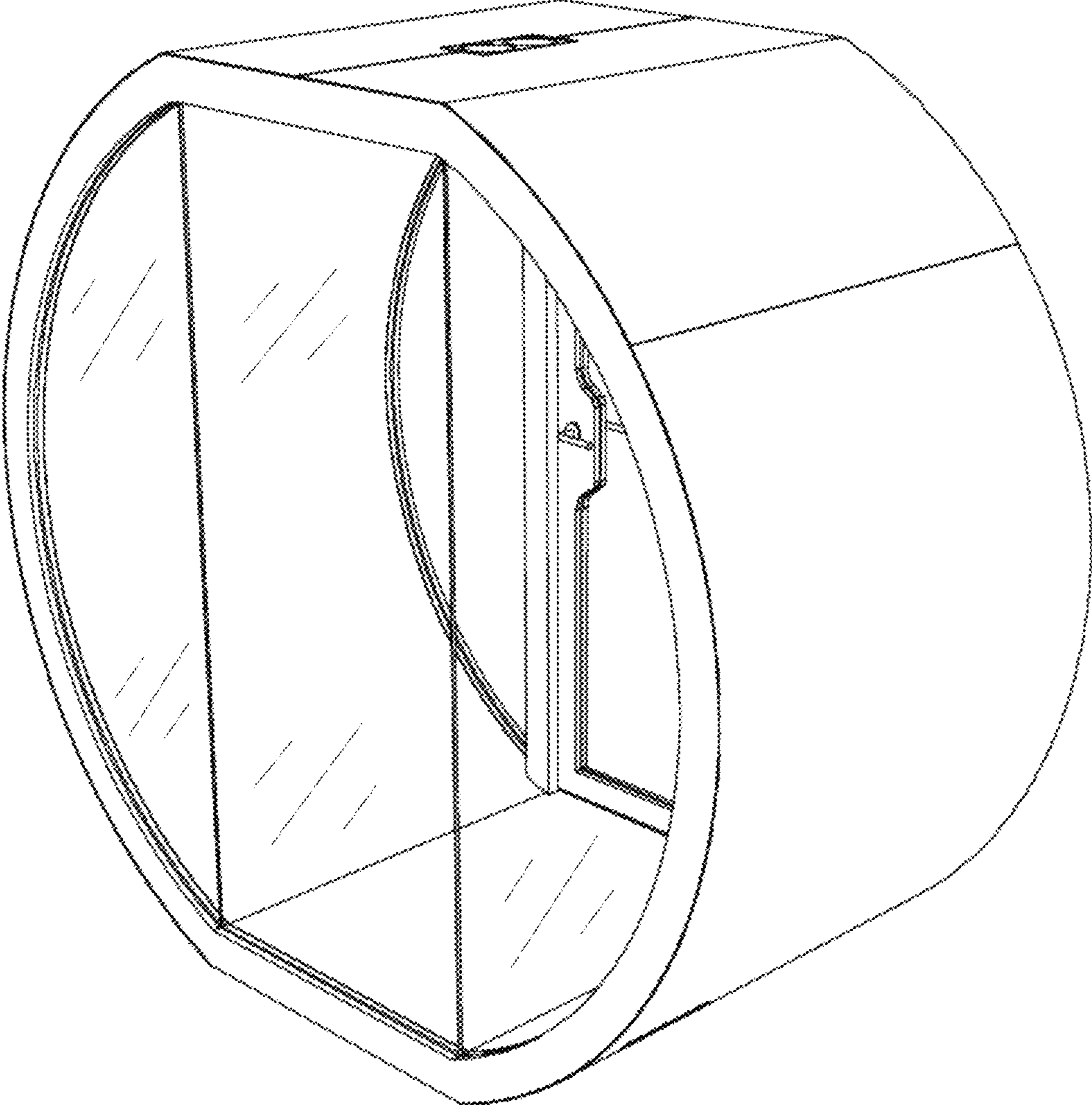


FIG. 1

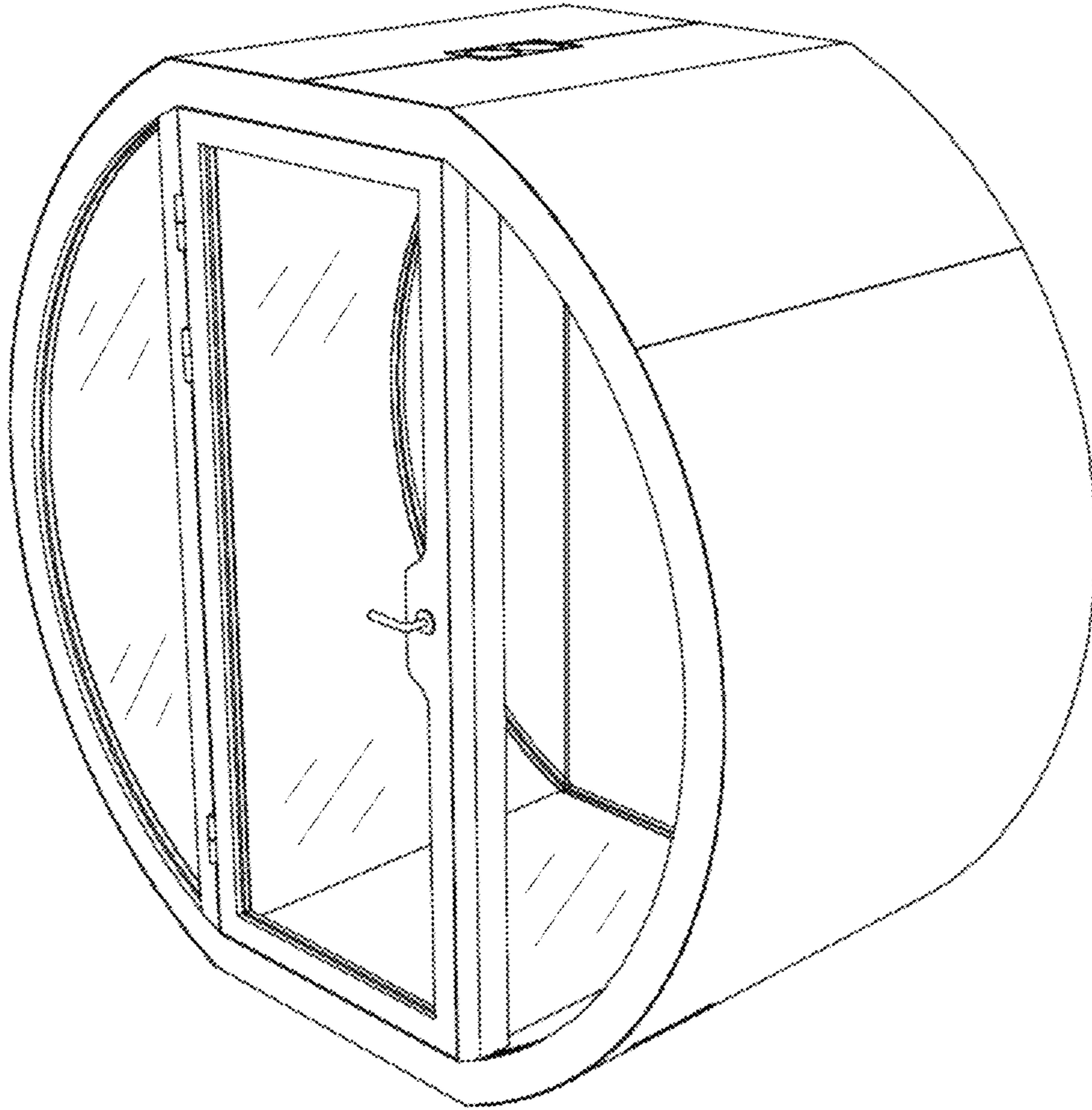


FIG. 2

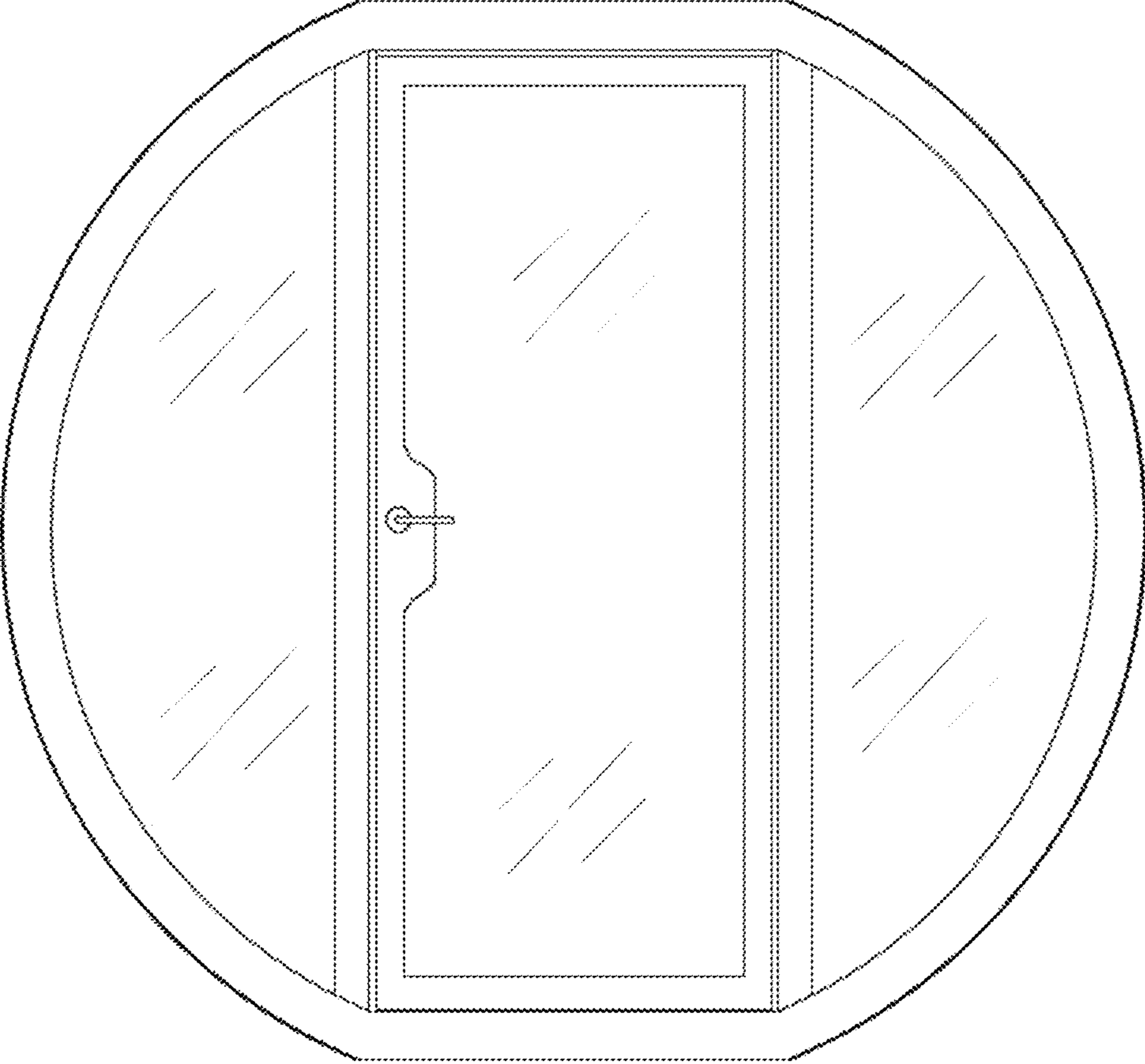


FIG. 3

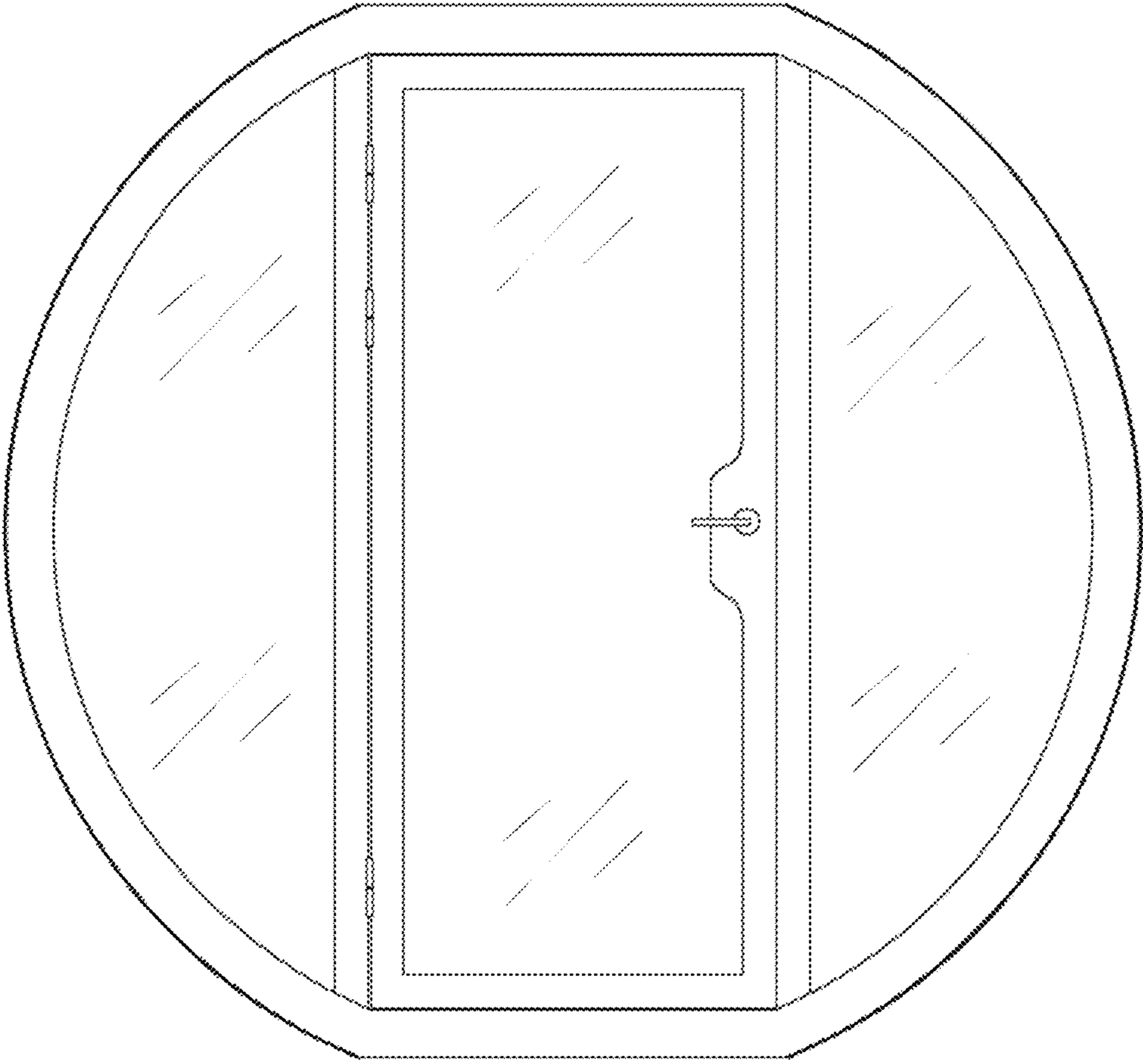


FIG. 4

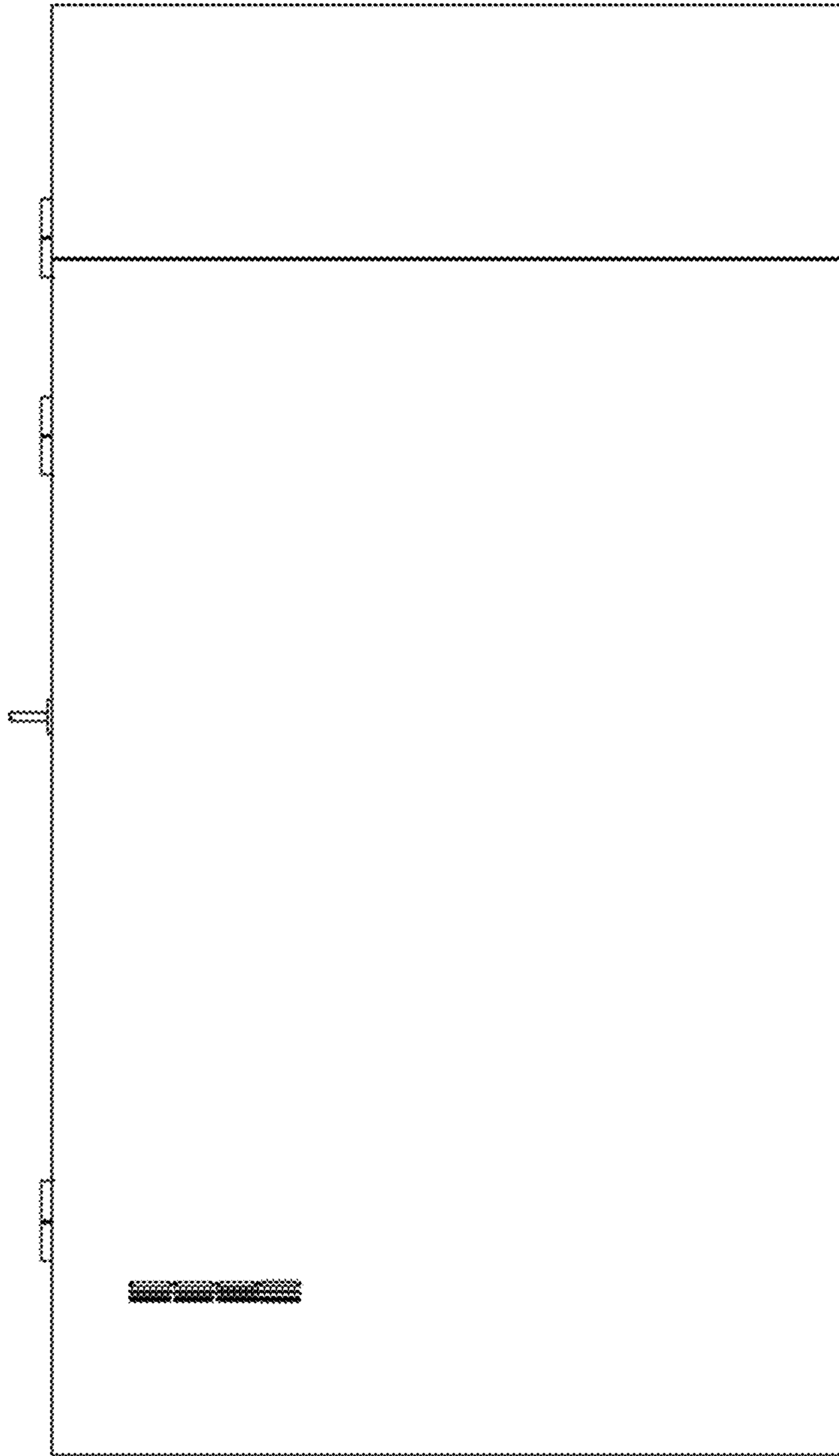


FIG. 5

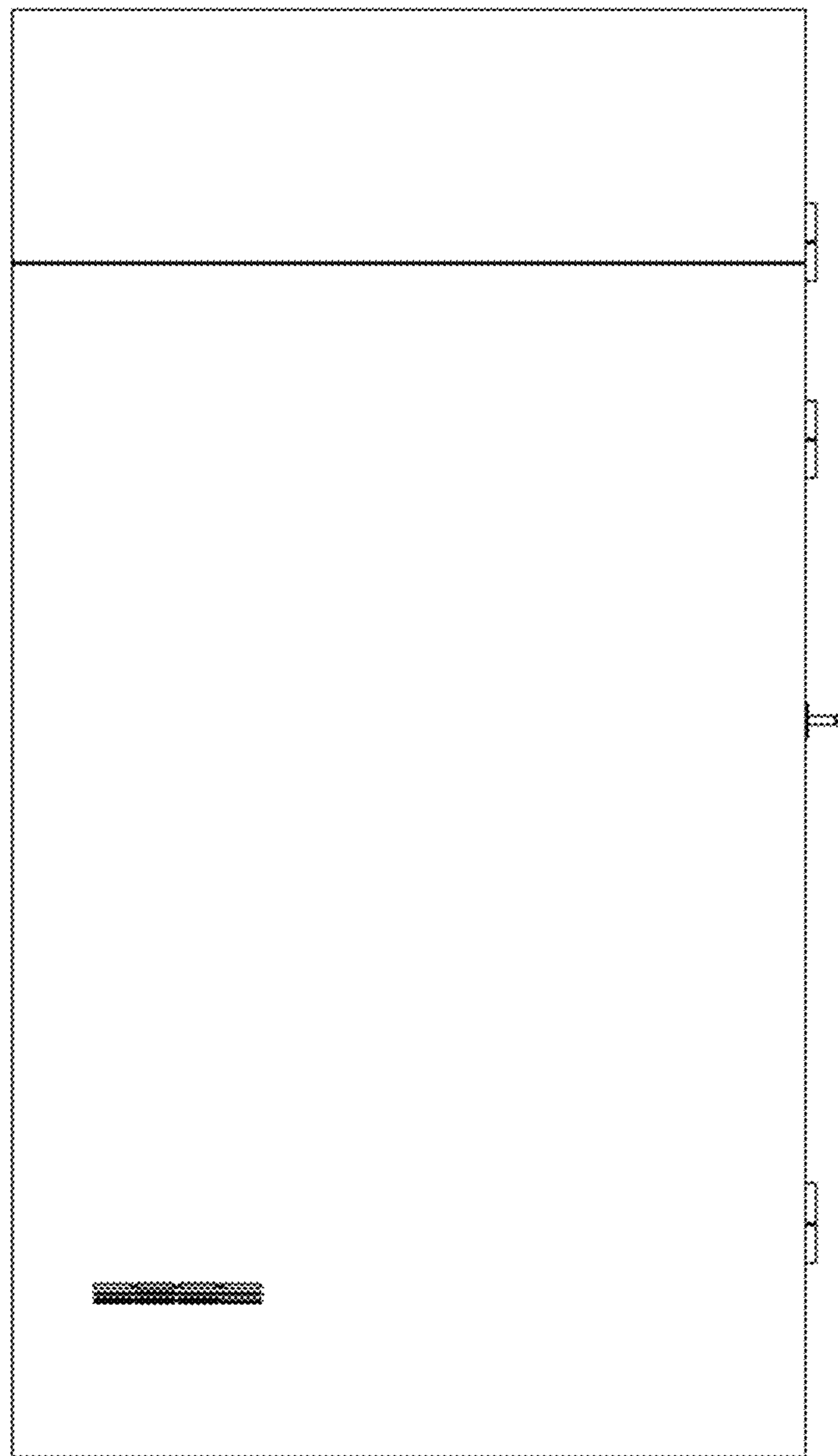


FIG. 6

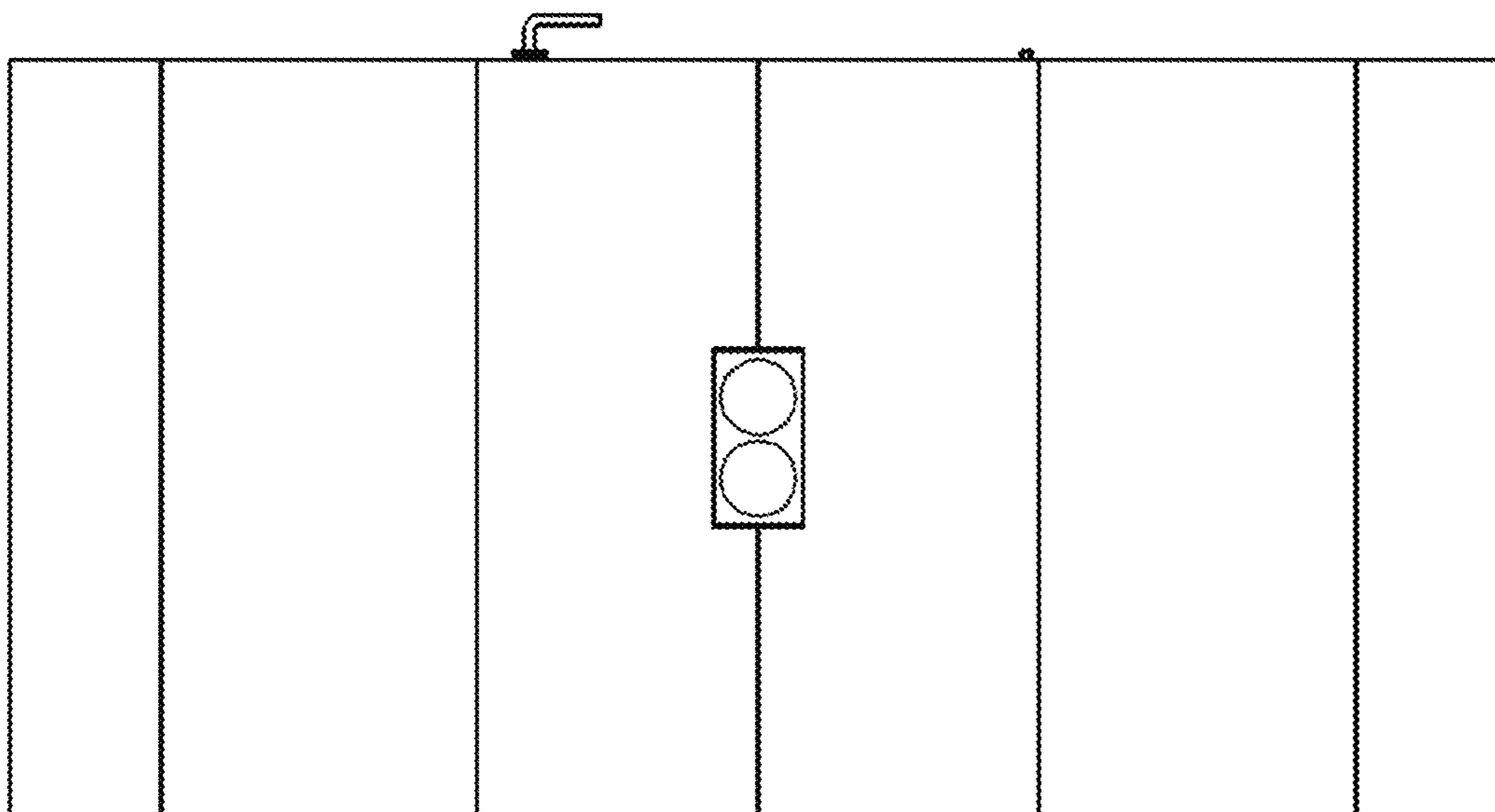


FIG. 7