



US00D873435S

(12) **United States Design Patent**
Köppel et al.

(10) **Patent No.:** **US D873,435 S**
(45) **Date of Patent:** **** Jan. 21, 2020**

(54) **CASSETTE FOR OPHTHALMOLOGIC APPARATUS**

(71) Applicant: **THIS AG**, Heerbrugg (CH)

(72) Inventors: **Thomas Köppel**, Widnau (CH); **Marco Zünd**, Widnau (CH); **Markus Cafadér**, Brugg (CH); **Hanspeter Kersten**, Brugg (CH); **Raimund Erdmann**, Brugg (CH)

(73) Assignee: **THIS AG**, Heerbrugg (CH)

(**) Term: **15 Years**

(21) Appl. No.: **29/646,743**

(22) Filed: **May 7, 2018**

Related U.S. Application Data

(62) Division of application No. 29/600,176, filed on Apr. 10, 2017, now Pat. No. Des. 862,725.

(51) **LOC (12) Cl.** **24-01**

(52) **U.S. Cl.**
USPC **D24/224**

(58) **Field of Classification Search**
USPC D24/216, 223–225, 231, 232, 186, 107, D24/108, 121; D10/81; 422/503, 551, 422/554; 435/287.2, 287.3, 288.3, 288.4, 435/288.5; 436/808–809
CPC B01L 3/5027; B01L 3/502707
See application file for complete search history.

(56) **References Cited**

U.S. PATENT DOCUMENTS

D556,909 S * 12/2007 Reihanifam D24/111
D724,221 S * 3/2015 Chung D24/169
D730,536 S * 5/2015 Mangan D24/225
D752,759 S * 3/2016 Chung D24/169
D761,438 S * 7/2016 Higgins D24/232

D799,055 S * 10/2017 Kennedy D24/224
D803,416 S * 11/2017 Leaver D24/224
2008/0026451 A1* 1/2008 Braman C12N 15/1006
435/270
2009/0023201 A1* 1/2009 Hongo B01L 3/50273
435/287.2
2014/0138260 A1* 5/2014 Briman G01N 27/48
205/775
2016/0129445 A1* 5/2016 Corey B01L 7/52
435/286.1

(Continued)

Primary Examiner — Barbara Fox

Assistant Examiner — Mary Shannon Malley

(74) *Attorney, Agent, or Firm* — Nutter McClennen & Fish LLP

(57) **CLAIM**

The ornamental design for a cassette for ophthalmologic apparatus, as shown and described.

DESCRIPTION

This application is related to U.S. design application Ser. No. 29/600,172 entitled “Ophthalmologic Apparatus”.

This application is related to U.S. design application Ser. No. 29/600,184 entitled “Pedal for Ophthalmologic Apparatus”.

FIG. 1 is a right-front perspective view of a cassette for ophthalmologic apparatus in accordance with the present design.

FIG. 2 is a left-front perspective view thereof.

FIG. 3 is a right elevation view thereof.

FIG. 4 is a front elevation view thereof.

FIG. 5 is a left elevation view thereof.

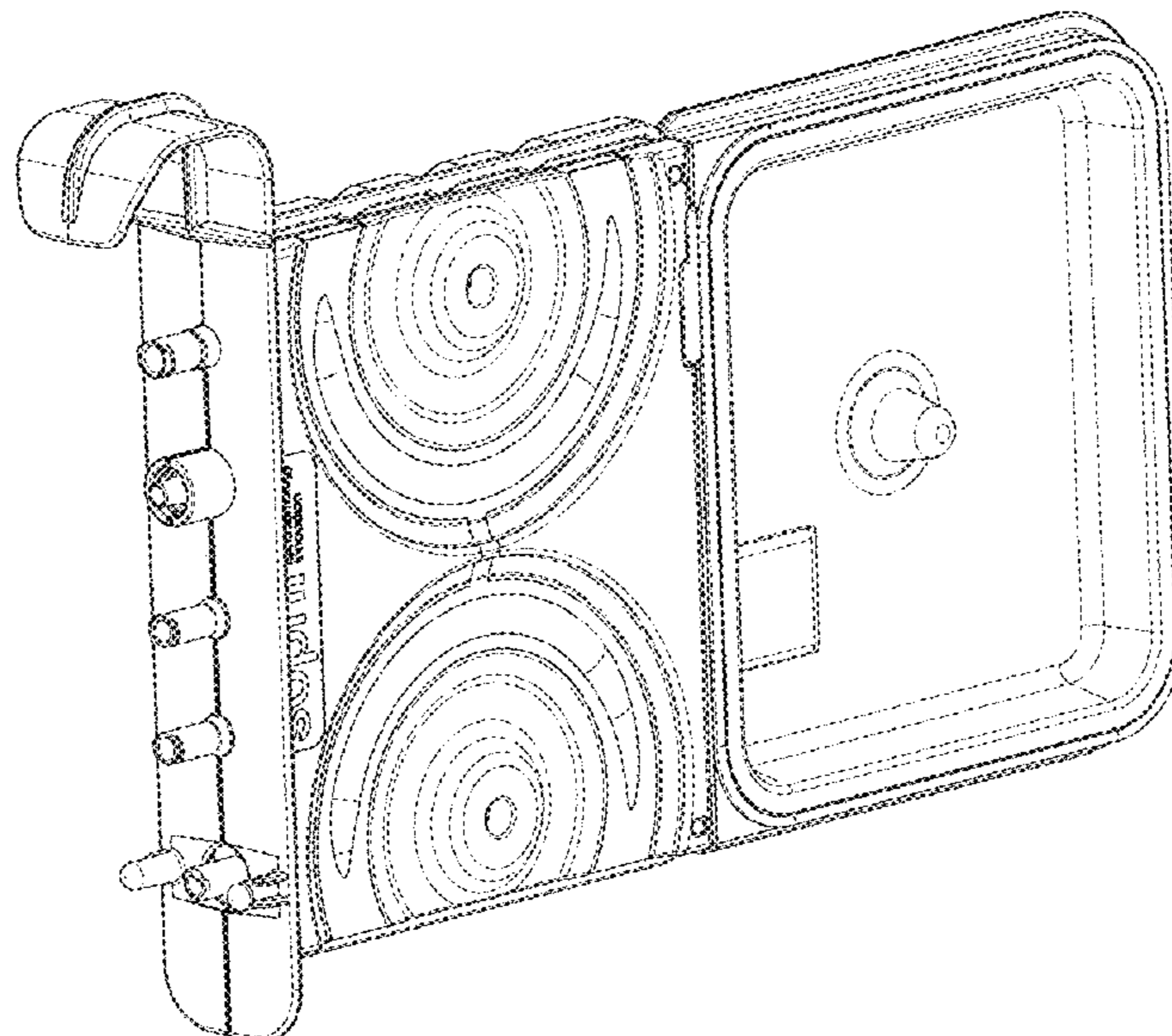
FIG. 6 is a back elevation view thereof.

FIG. 7 is a top view thereof; and,

FIG. 8 is a bottom view thereof.

The broken lines depict portions of the cassette for ophthalmologic apparatus that form no part of the claimed design.

1 Claim, 8 Drawing Sheets



(56)

References Cited

U.S. PATENT DOCUMENTS

2016/0158746 A1* 6/2016 Taylor B01L 3/50273
435/6.12
2017/0199152 A1* 7/2017 Briman G01N 27/48
2017/0370914 A1* 12/2017 Kasdan G01N 21/75
2018/0164331 A1* 6/2018 Zhao G01N 33/86

* cited by examiner

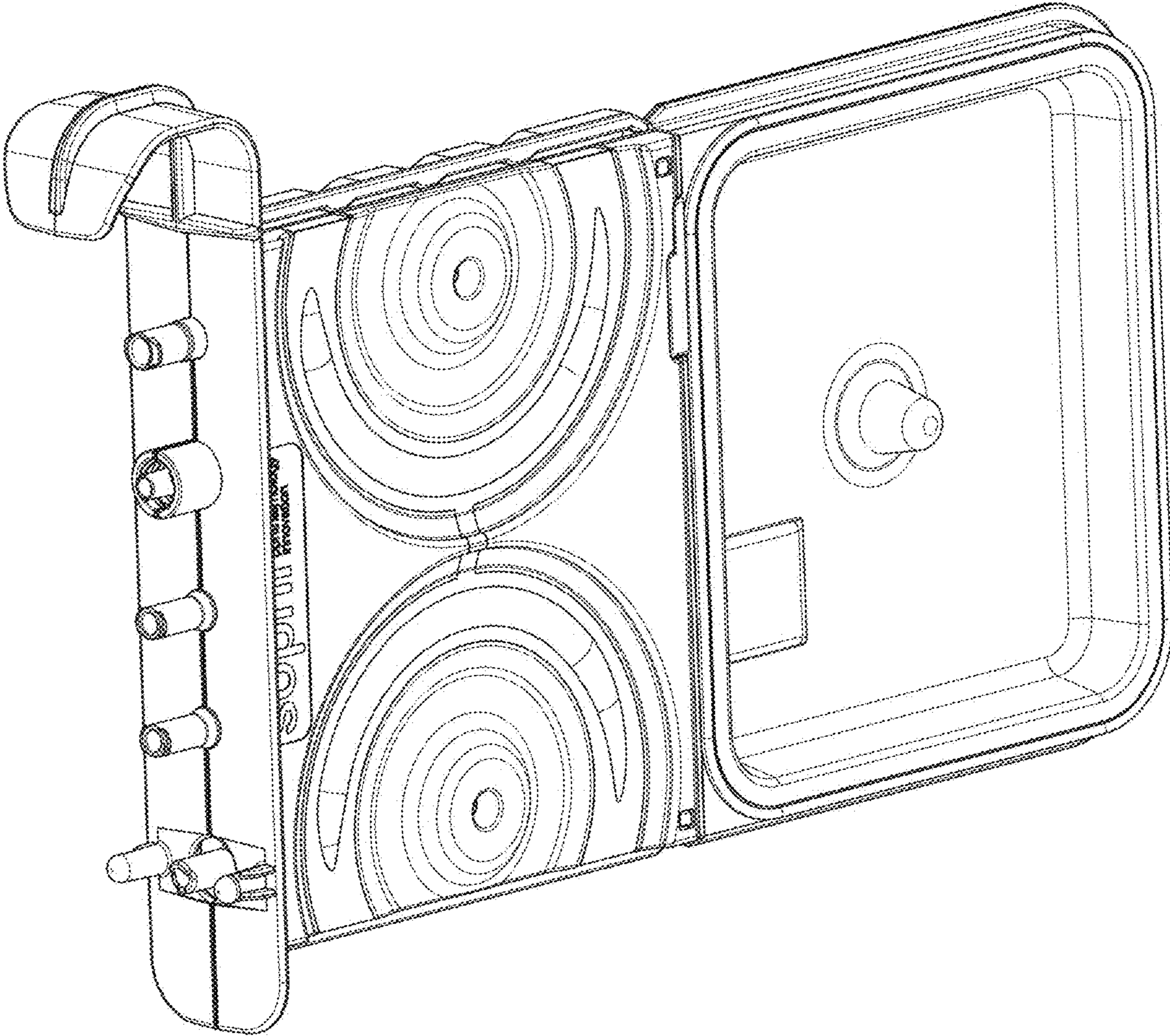


FIG. 1

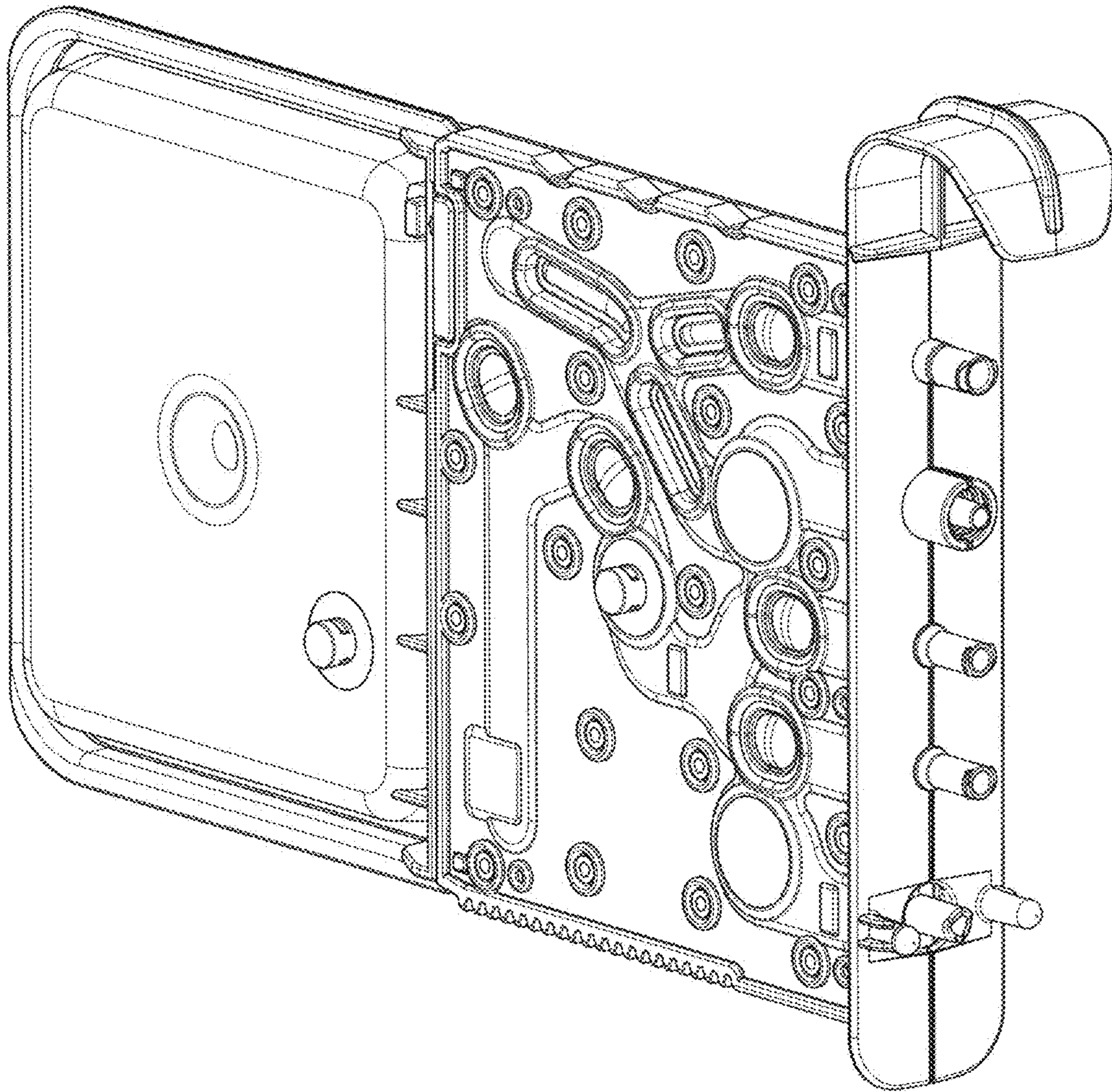


FIG. 2

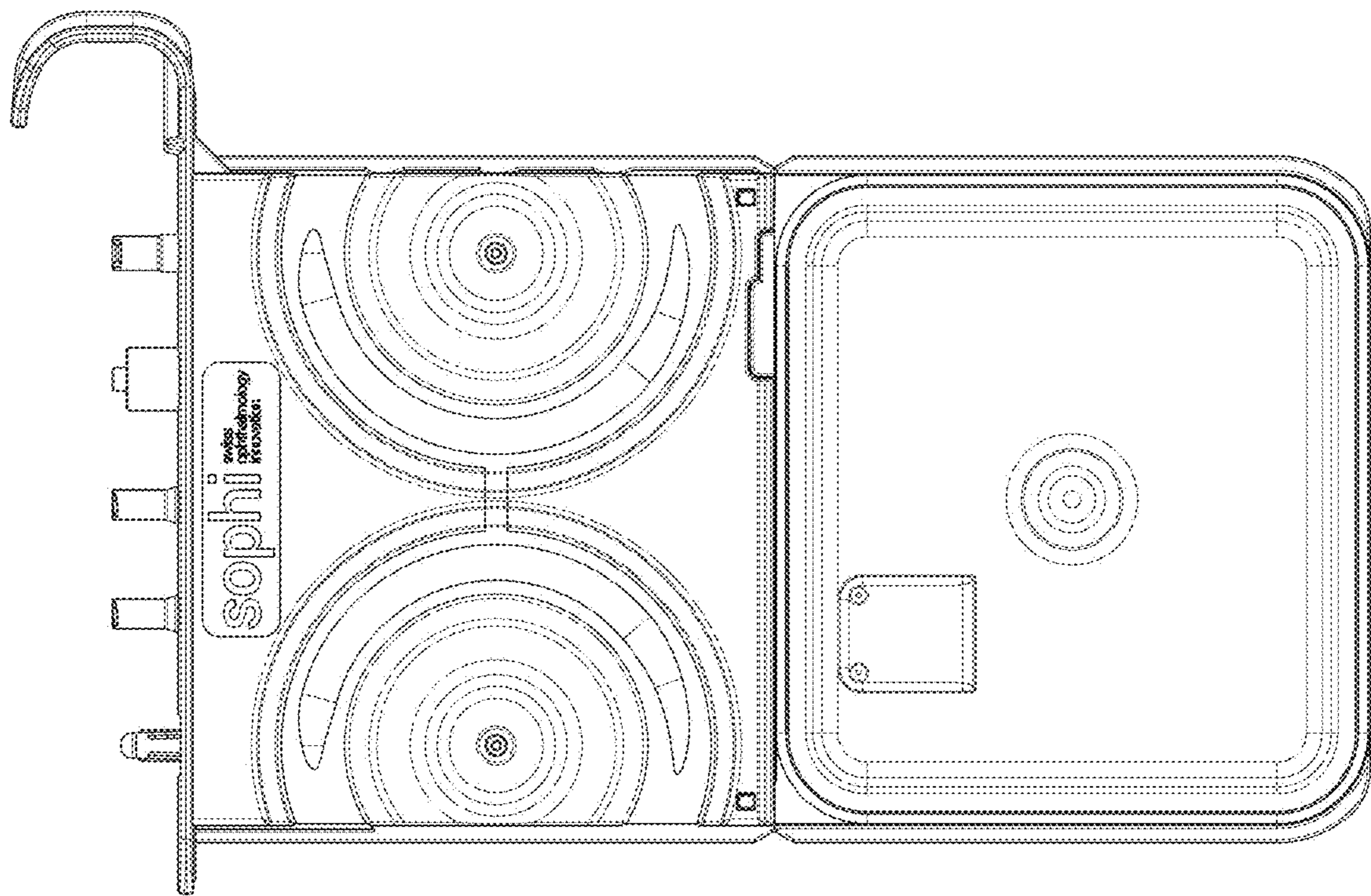


FIG. 3

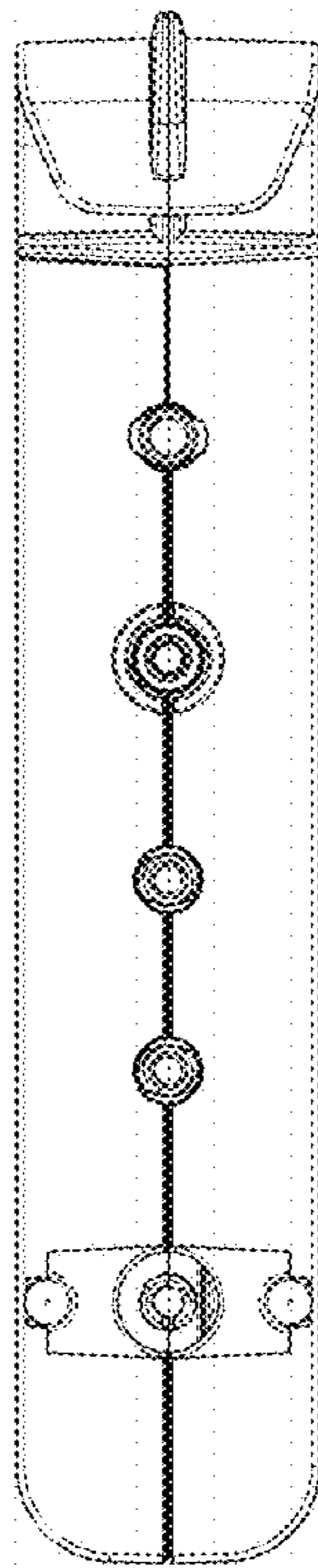


FIG. 4

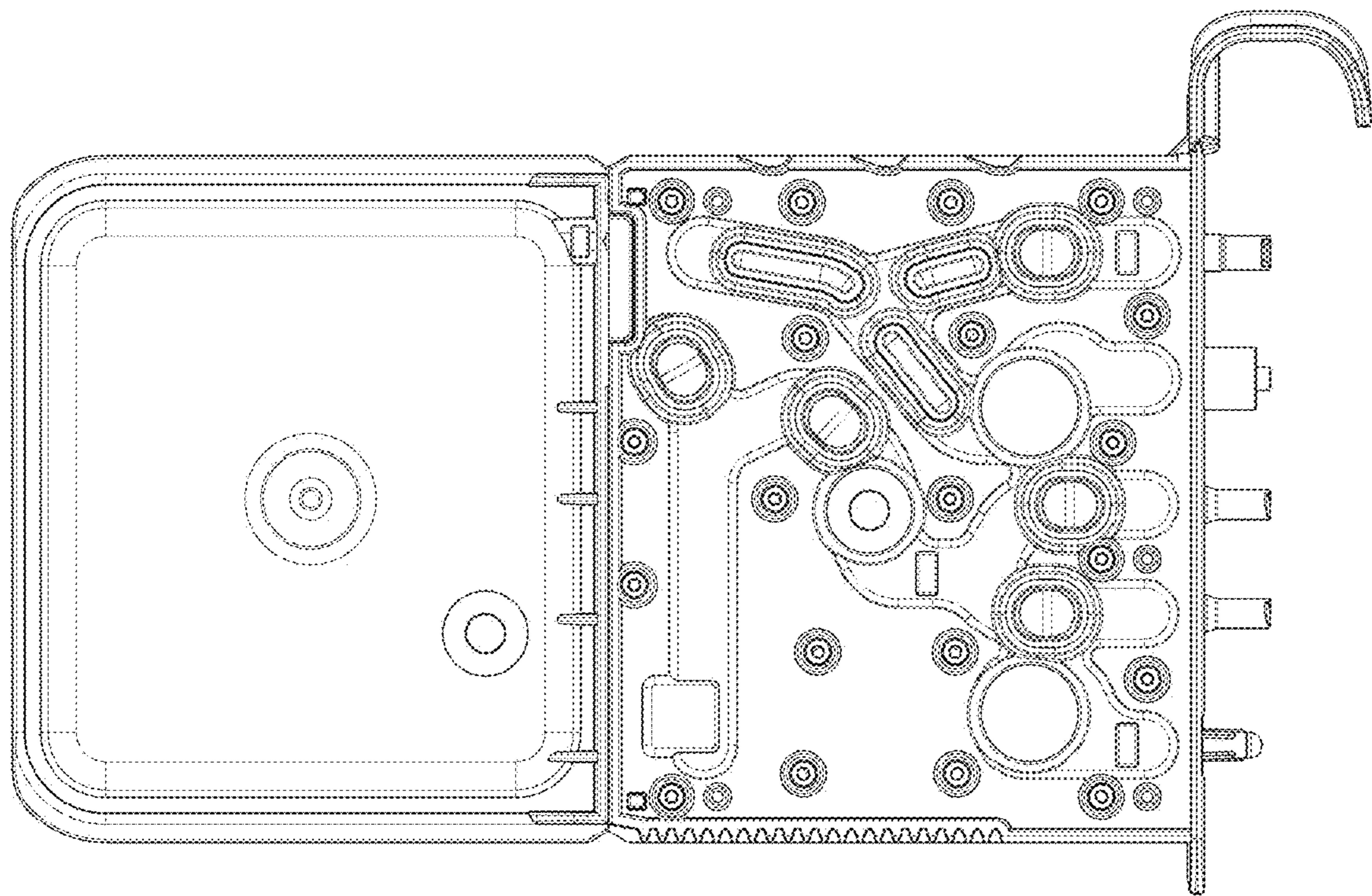


FIG. 5

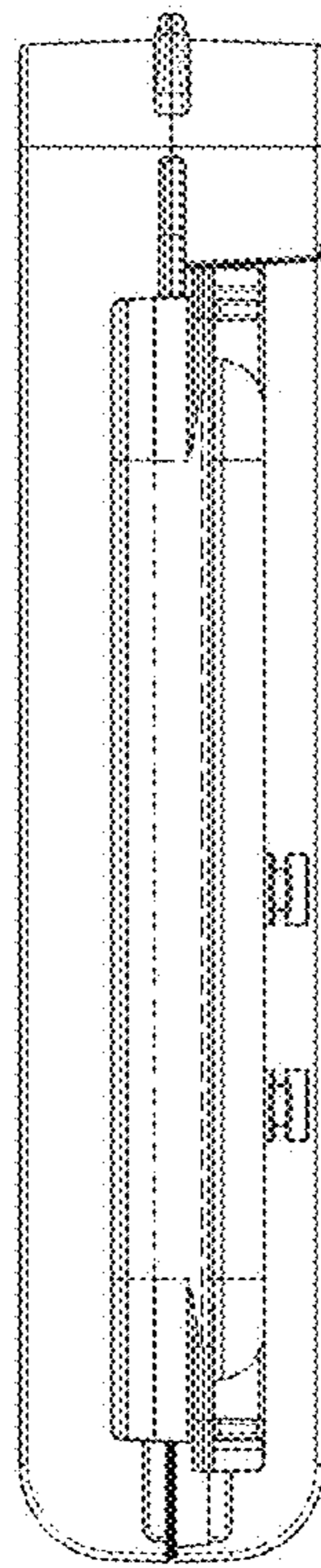


FIG. 6

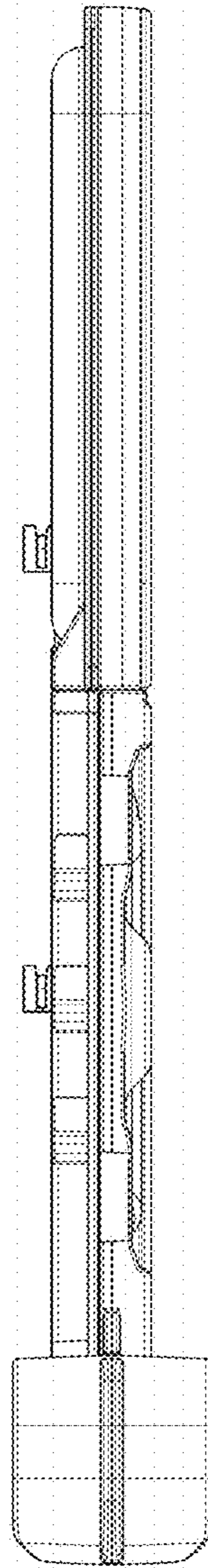


FIG. 7

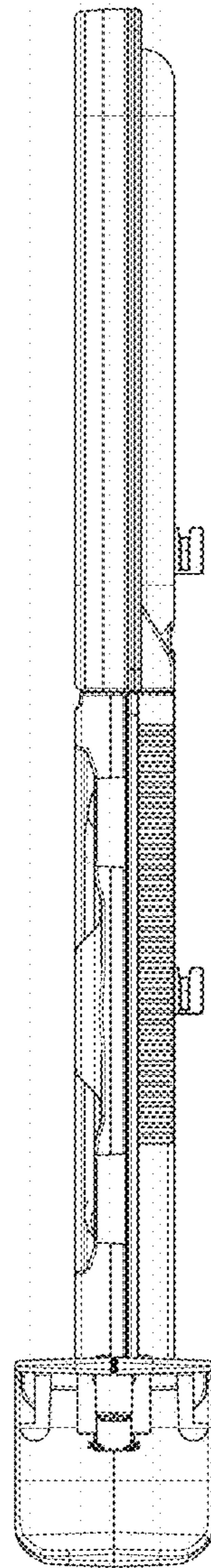


FIG. 8