



US00D873432S

(12) **United States Design Patent** (10) **Patent No.:** **US D873,432 S**
Duan (45) **Date of Patent:** **** Jan. 21, 2020**

(54) **MASSAGER**

(71) Applicant: **Ranran Duan**, Guangdong (CN)

(72) Inventor: **Ranran Duan**, Guangdong (CN)

(**) Term: **15 Years**

(21) Appl. No.: **29/703,442**

(22) Filed: **Aug. 27, 2019**

(51) **LOC (12) Cl.** **28-03**

(52) **U.S. Cl.**
USPC **D24/214**

(58) **Field of Classification Search**

USPC .. 601/15, 18, 19, 27, 28-32, 46, 47, 48, 52,
601/72, 99, 112, 113, 118, 135, 137,
601/DIG. 12, DIG. 14, DIG. 15, DIG. 16,
601/DIG. 17; D24/200, 211, 212, 213,
D24/214, 215; D30/160; D8/14.1, 61,
D8/68

CPC A61H 23/02; A61H 23/006; A61H 23/00;
A61H 39/007

See application file for complete search history.

(56) **References Cited**

U.S. PATENT DOCUMENTS

D378,338 S *	3/1997	Accville	D8/14.1
D407,498 S *	3/1999	Cooper	D24/214
D449,892 S *	10/2001	Lie	D24/201
6,401,289 B1 *	6/2002	Herbert	A61H 7/005
				601/138
D471,986 S *	3/2003	Lie	D24/201
D526,417 S *	8/2006	Masuda	D24/214
D583,639 S *	12/2008	Axinte	D8/14.1
D627,035 S *	11/2010	Evar	D8/14.1
D725,978 S *	4/2015	Uematsu	D8/14.1
D838,378 S *	1/2019	Cao	D24/215
D840,547 S *	2/2019	Harle	D24/214
D847,362 S *	4/2019	Tang	D24/215
D848,013 S *	5/2019	Fuhner	D24/215
10,314,762 B1 *	6/2019	Marton	A61H 23/006
D855,822 S *	8/2019	Marton	D24/215

2005/0113725 A1 *	5/2005	Masuda	A61H 23/0263
				601/72
2010/0274162 A1 *	10/2010	Evans	A61F 7/007
				601/15
2010/0312156 A1 *	12/2010	Wu	A61H 7/005
				601/112
2011/0009783 A1 *	1/2011	Dverin	A61B 18/14
				601/137
2015/0119771 A1 *	4/2015	Roberts	A61H 39/04
				601/135
2016/0074641 A1 *	3/2016	Mehta	A61M 35/003
				604/290

(Continued)

OTHER PUBLICATIONS

Amazon, "Massage Gun_KOFOHO", Sep. 10, 2019.https://www.amazon.com/KOFOHO-Handheld-Professional-Percussion-Stiffness-20/dp/B07VM85TGQ/ref=cm_cr_ar_p_d_product_top?ie=UTF8. Shown on p. 1. (Year: 2019).*

Primary Examiner — Cynthia Ramirez

Assistant Examiner — Michael A Maharajh

(74) *Attorney, Agent, or Firm* — Justin Lampel

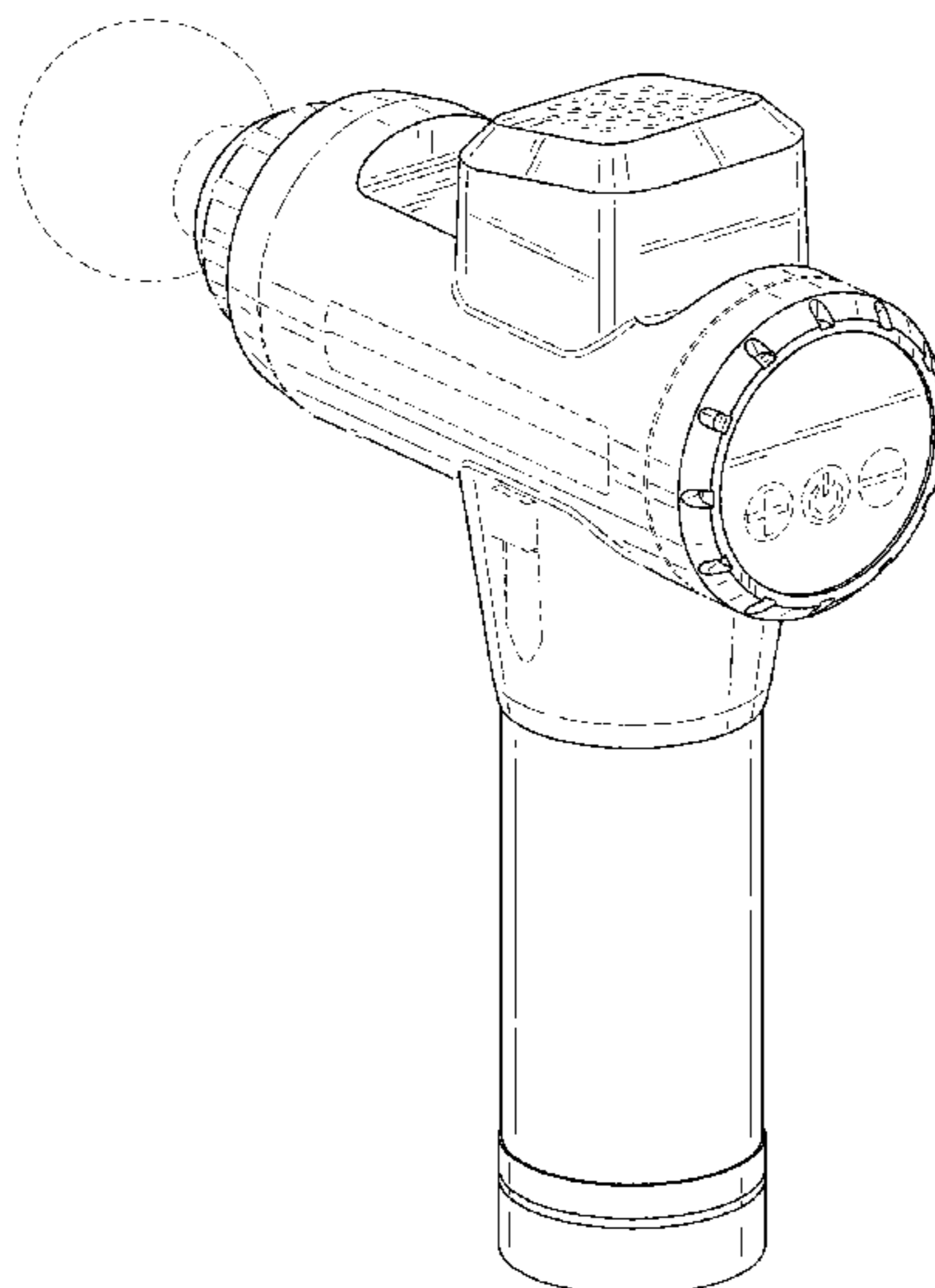
(57) **CLAIM**

The ornamental design for a massager, as shown and described.

DESCRIPTION

FIG. 1 is a perspective view of a massager showing the claimed design;
FIG. 2 is a rear elevational view thereof;
FIG. 3 is a front elevational view thereof;
FIG. 4 is a right side view thereof;
FIG. 5 is a left side view thereof;
FIG. 6 is a top plan view thereof; and,
FIG. 7 is a bottom plan view thereof.
The broken lines in the drawings are for the purpose of illustrating portions of the massager, which form no part of the claimed design.

1 Claim, 5 Drawing Sheets



(56)

References Cited

U.S. PATENT DOCUMENTS

2017/0304145 A1* 10/2017 Pepe A61H 23/0254
2018/0361137 A1* 12/2018 Kern A46B 13/008
2019/0254922 A1* 8/2019 Marton A61H 23/0254

* cited by examiner

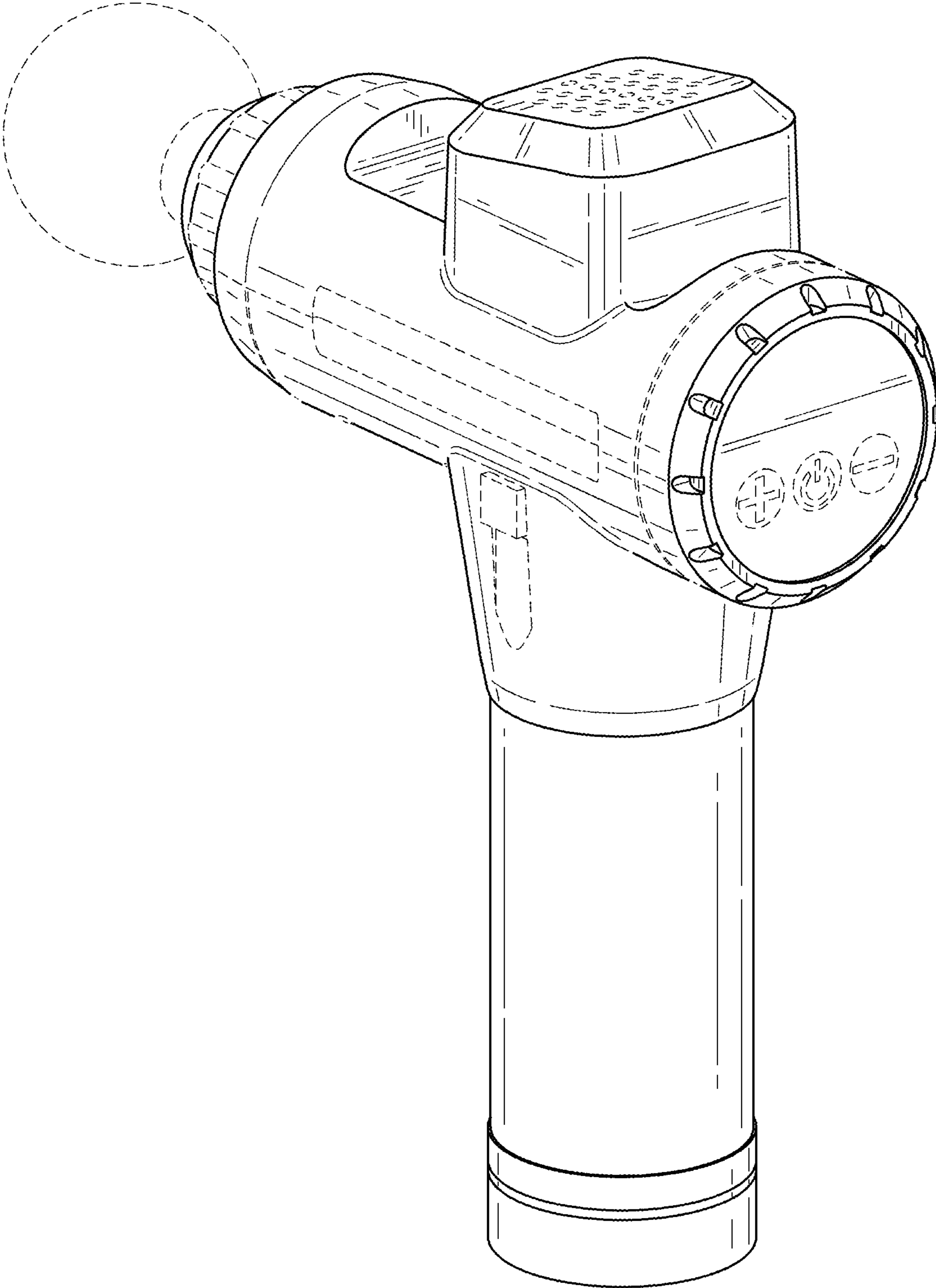


FIG. 1

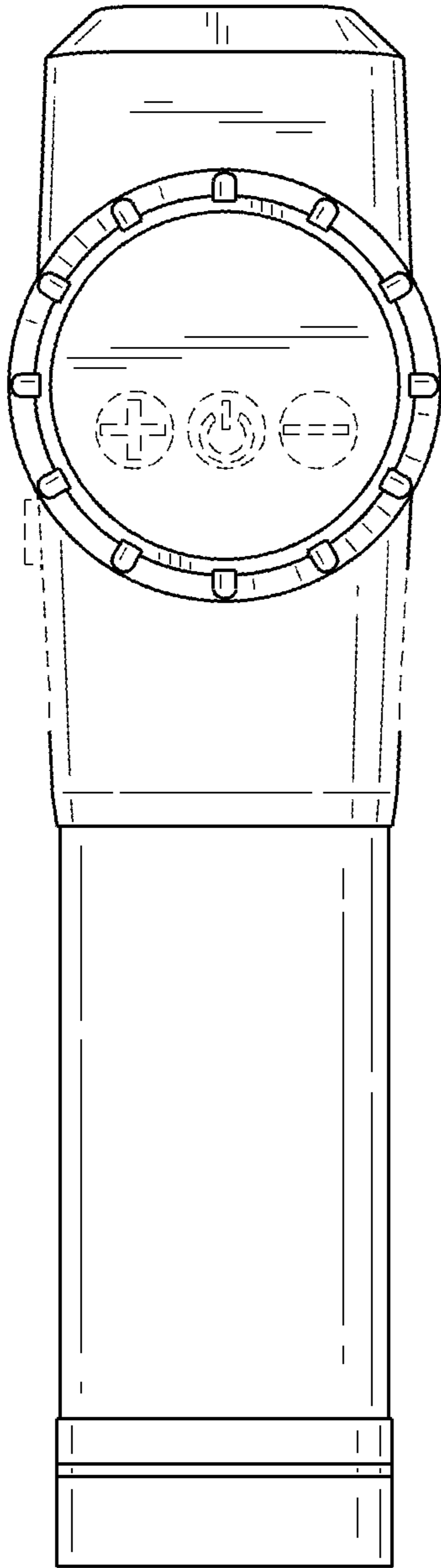


FIG. 2

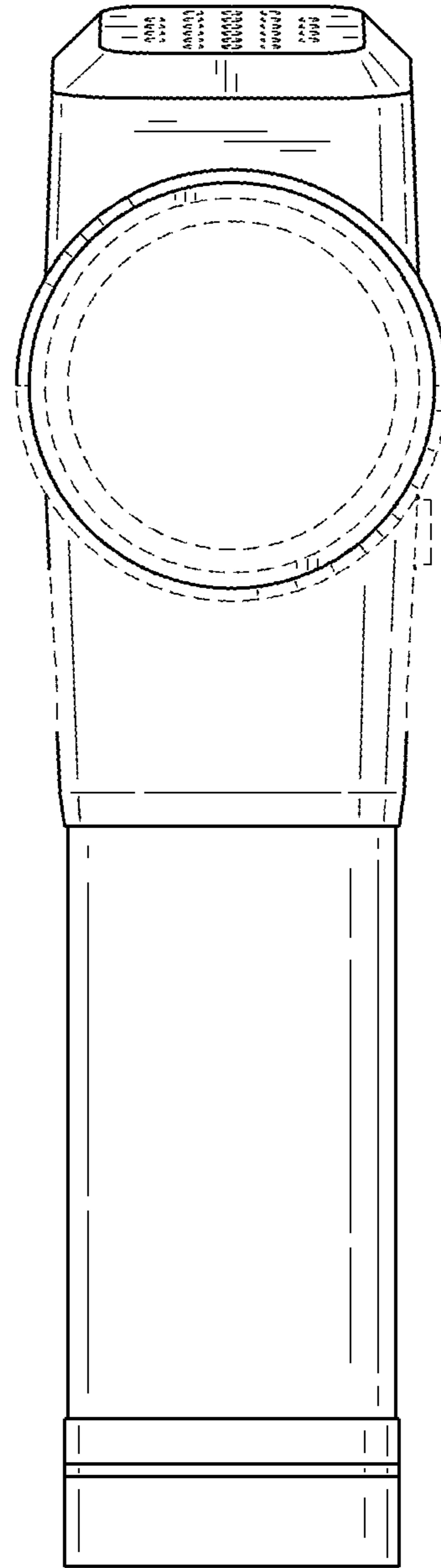


FIG. 3

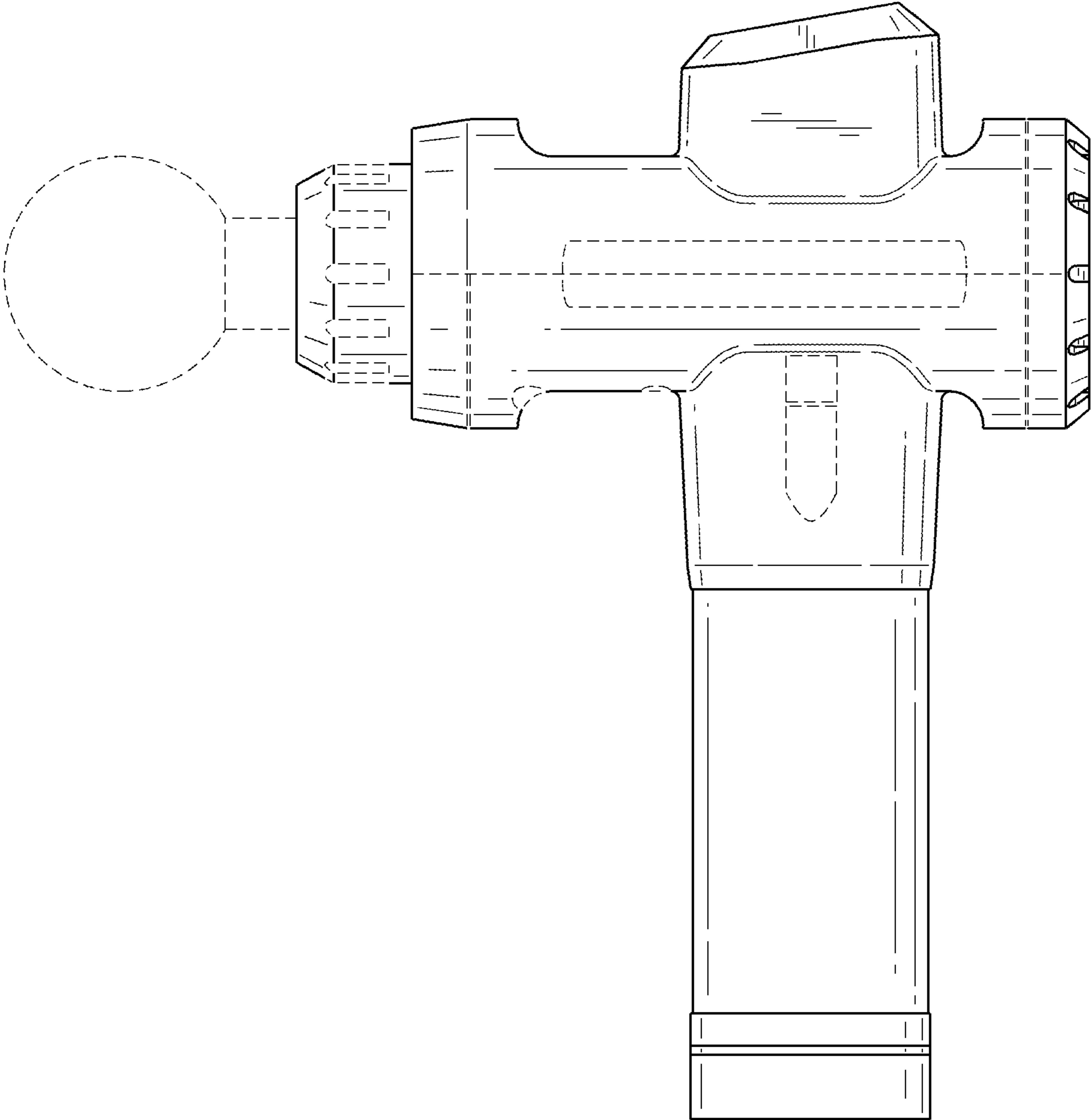


FIG. 4

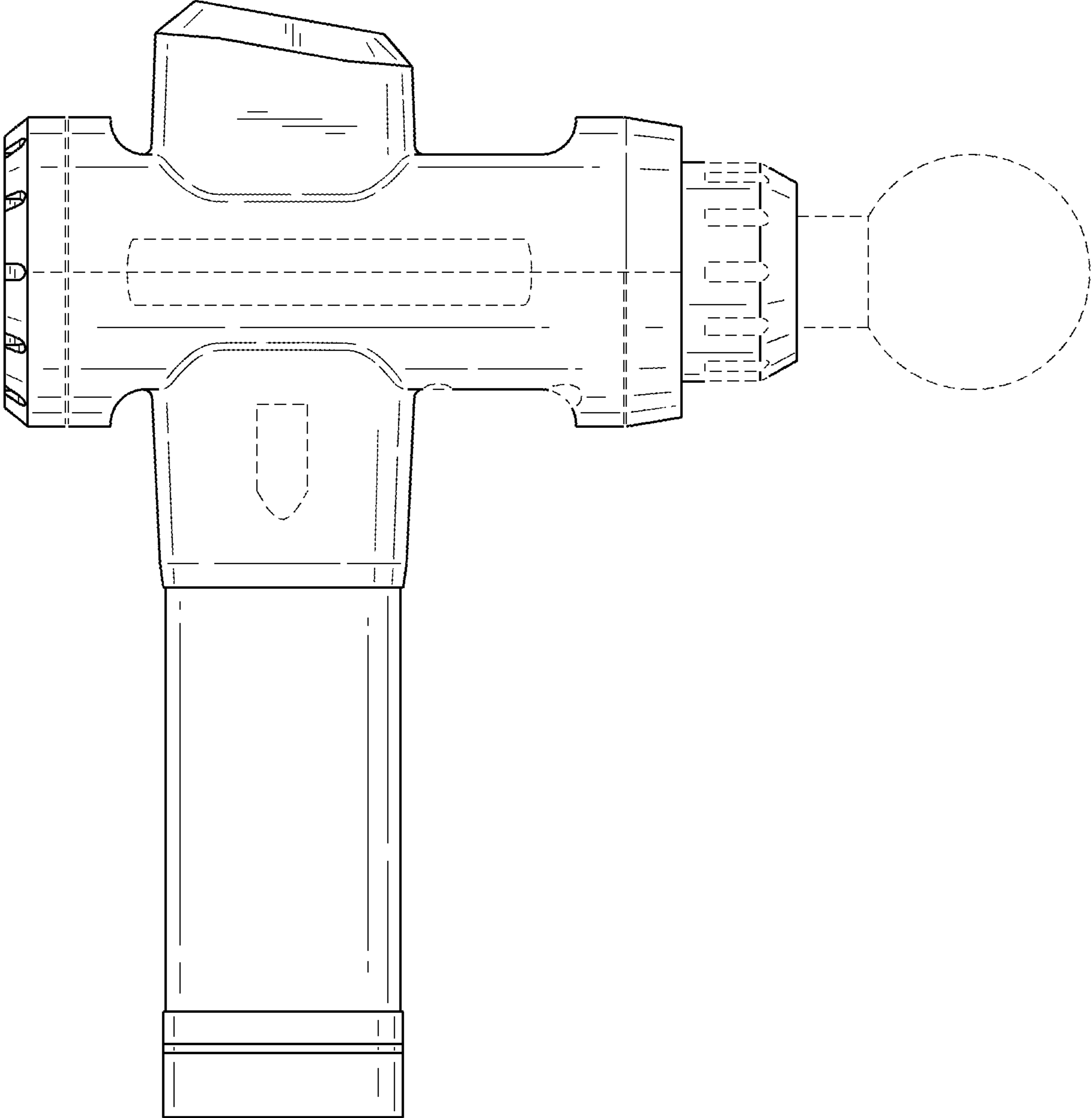


FIG. 5

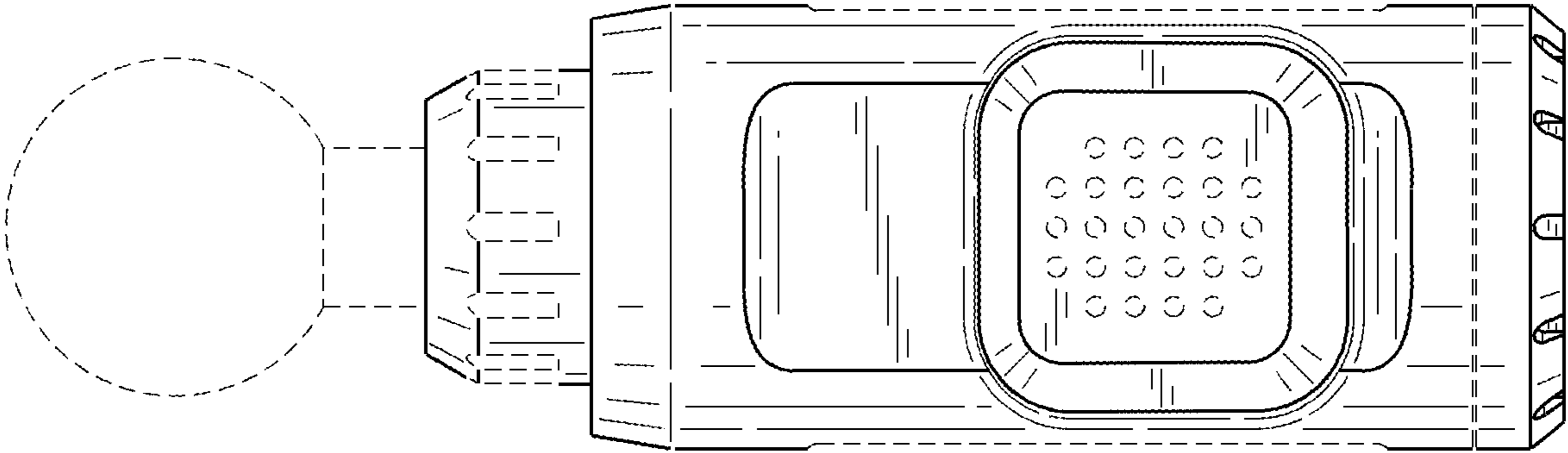


FIG. 6

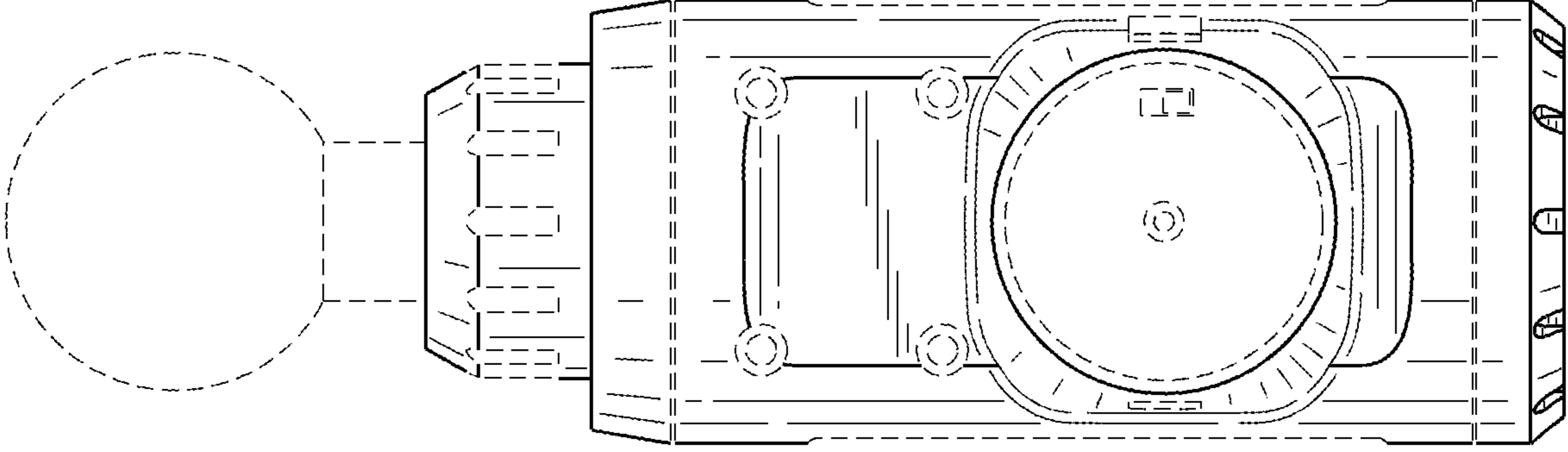


FIG. 7