



US00D873431S

(12) **United States Design Patent** (10) **Patent No.:** **US D873,431 S**  
**Ashley** (45) **Date of Patent:** **\*\* Jan. 21, 2020**

(54) **MEIBOMIAN GLAND EXPRESSION DEVICE PAD**

(71) Applicant: **Ashley Ophthalmics, LLC**, Vicksburg, MS (US)

(72) Inventor: **Miles David Ashley**, Vicksburg, MS (US)

(73) Assignee: **Ashley Ophthalmics, LLC**, Vicksburg, MS (US)

(\*\*) Term: **15 Years**

(21) Appl. No.: **29/659,032**

(22) Filed: **Aug. 6, 2018**

(51) **LOC (12) Cl.** ..... **28-03**

(52) **U.S. Cl.**  
USPC ..... **D24/214**

(58) **Field of Classification Search**  
USPC ..... 601/15, 18, 19, 27, 28, 29, 30, 31, 32, 601/46, 47, 48, 52, 72, 99, 112, 113, 118, 601/135, 137, DIG. 12, DIG. 14, DIG. 15, 601/DIG. 16, DIG. 17; D24/120, 150, D24/200, 211, 212, 213, 214, 215; D30/160; 604/521  
CPC ..... A61F 9/00772; A61F 2007/0004; A61F 2007/0282; A61F 7/02; A61F 9/00; A61H 2205/024; A61H 5/00  
See application file for complete search history.

(56) **References Cited**

U.S. PATENT DOCUMENTS

D830,567 S \* 10/2018 Ashley ..... D24/214  
2002/0022794 A1\* 2/2002 Beck ..... A61N 1/0428  
604/20

2008/0082057 A1\* 4/2008 Korb ..... A61B 3/101  
604/289  
2009/0118702 A1\* 5/2009 Lazar ..... A61F 9/0017  
604/521  
2018/0228686 A1\* 8/2018 Ashley ..... A61H 5/00  
2018/0344516 A1\* 12/2018 Ashley ..... A61H 7/001  
2019/0125579 A1\* 5/2019 Habib ..... A61F 7/007

\* cited by examiner

*Primary Examiner* — Cynthia Ramirez

*Assistant Examiner* — Michael A Maharajh

(74) *Attorney, Agent, or Firm* — Veritay Group IP, PLLC; Susan Fentress

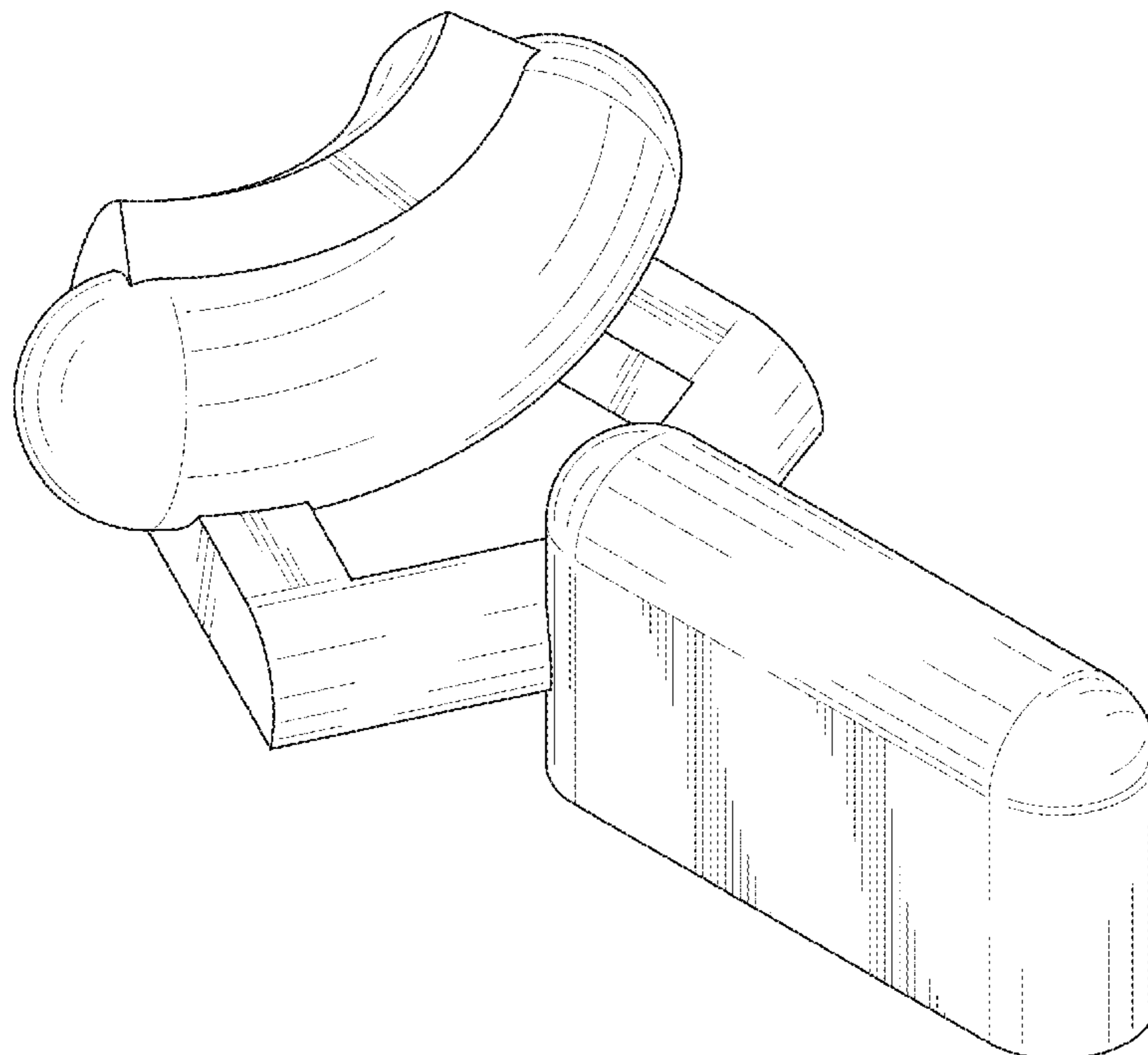
(57) **CLAIM**

The ornamental design for a meibomian gland expression device pad, as shown and described.

**DESCRIPTION**

FIG. 1 is an isometric view of a meibomian gland expression device pad of my new design.  
FIG. 2 is a left side view of the meibomian gland expression device pad shown in FIG. 1.  
FIG. 3 is a rear view of the meibomian gland expression device pad shown in FIG. 1.  
FIG. 4 is a right side view of the meibomian gland expression device pad shown in FIG. 1.  
FIG. 5 is a front view of the meibomian gland expression device pad shown in FIG. 1.  
FIG. 6 is a top view of the meibomian gland expression device pad shown in FIG. 1; and,  
FIG. 7 is a bottom view of the meibomian gland expression device pad shown in FIG. 1.

**1 Claim, 6 Drawing Sheets**



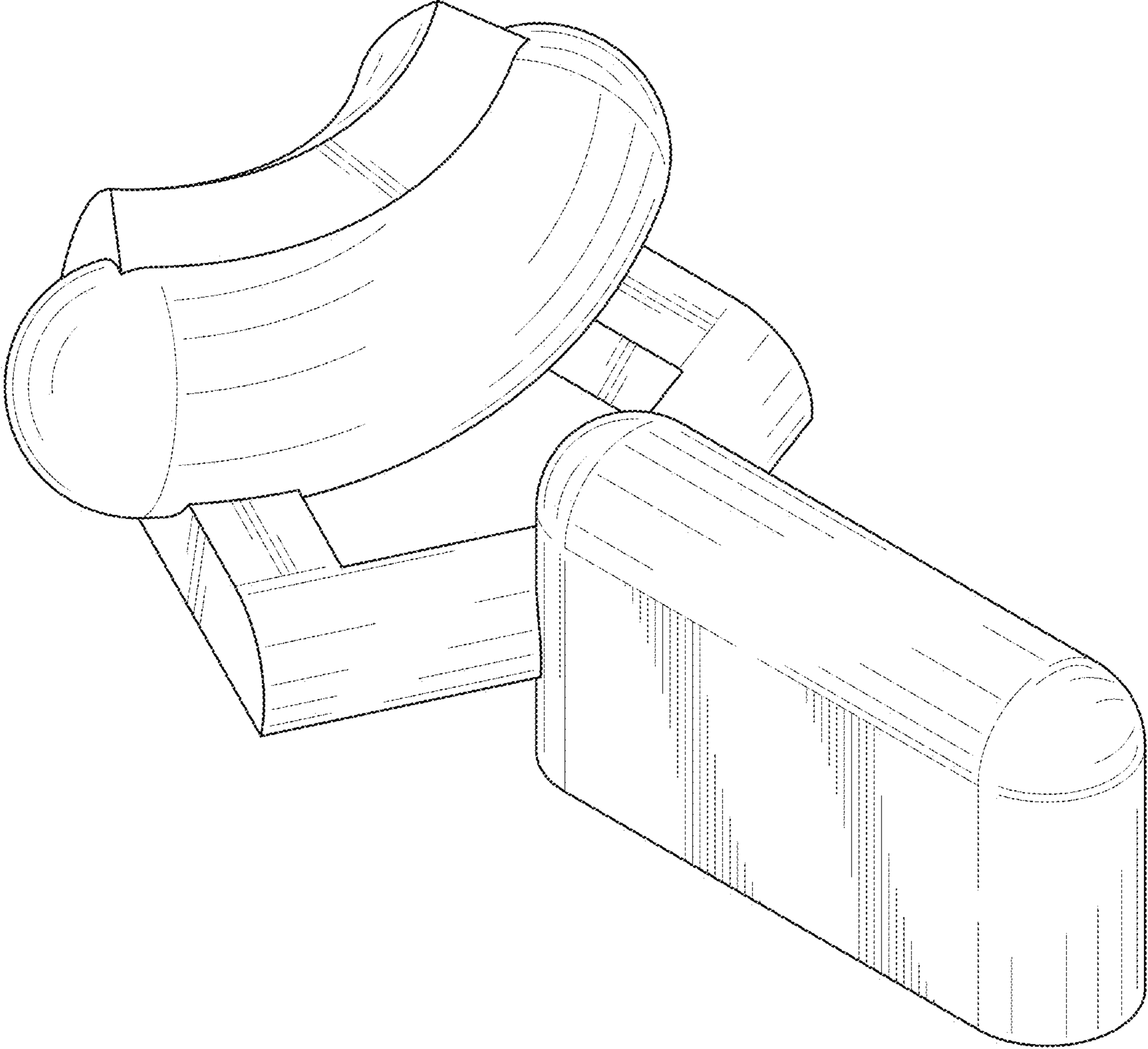


FIG. 1

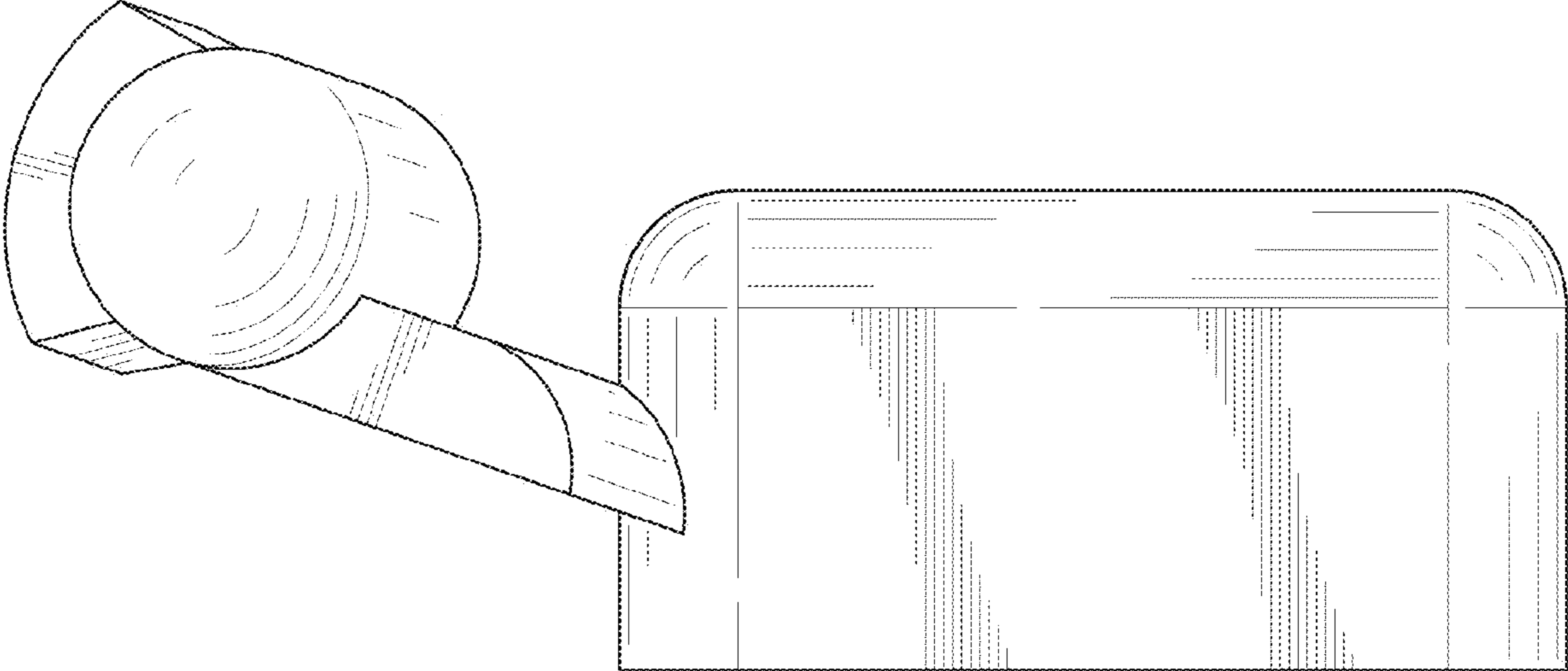


FIG. 2

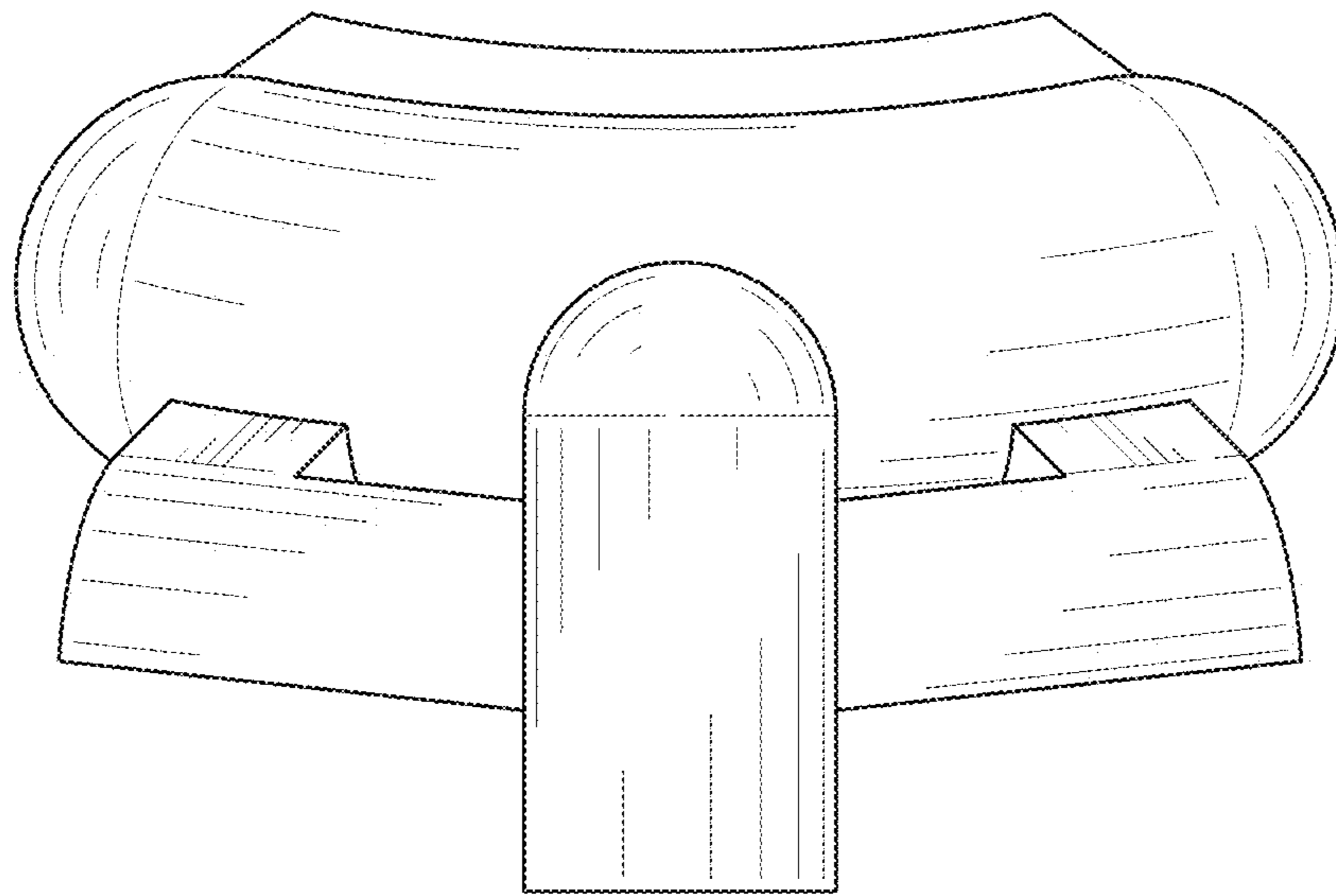


FIG. 3

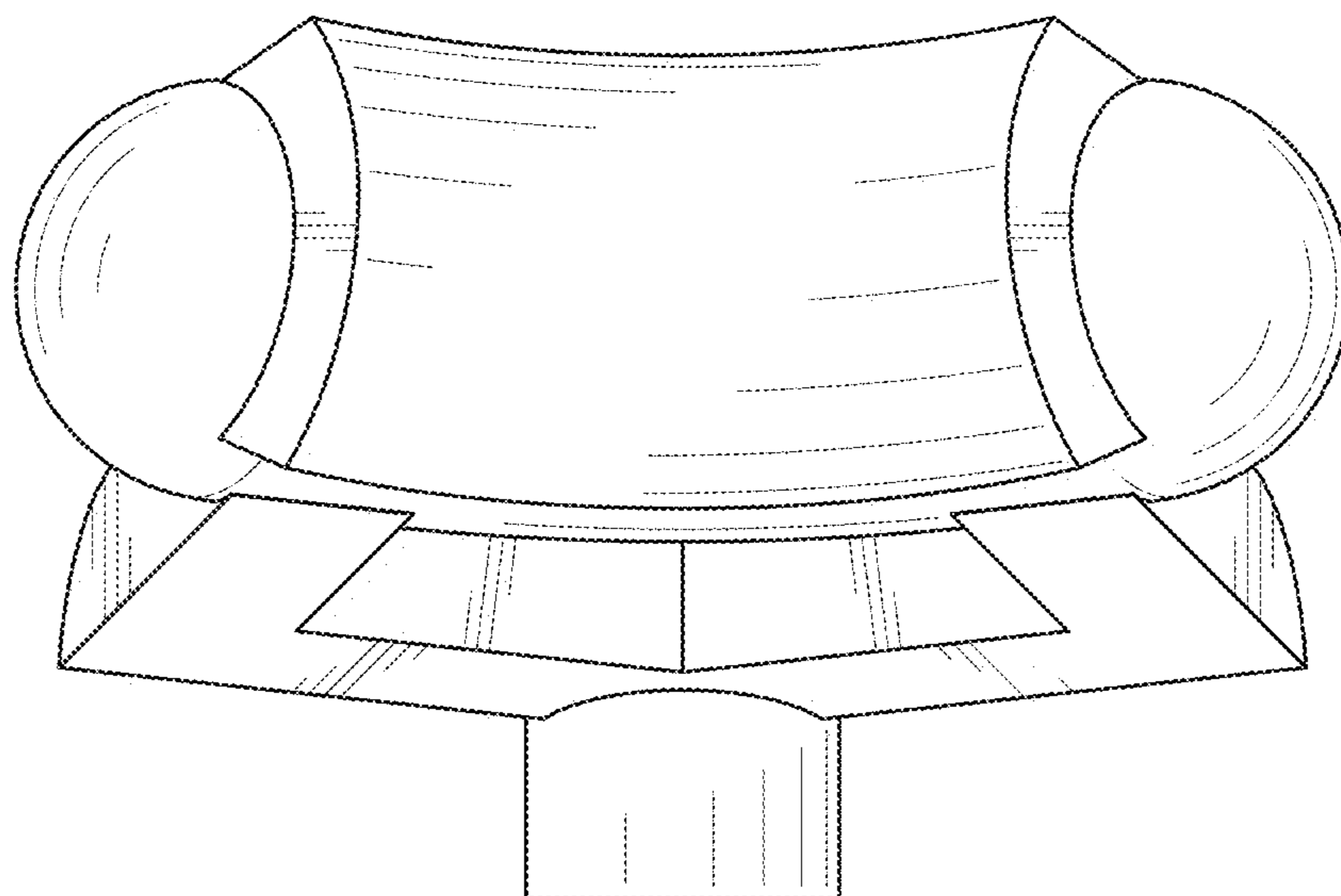


FIG. 5

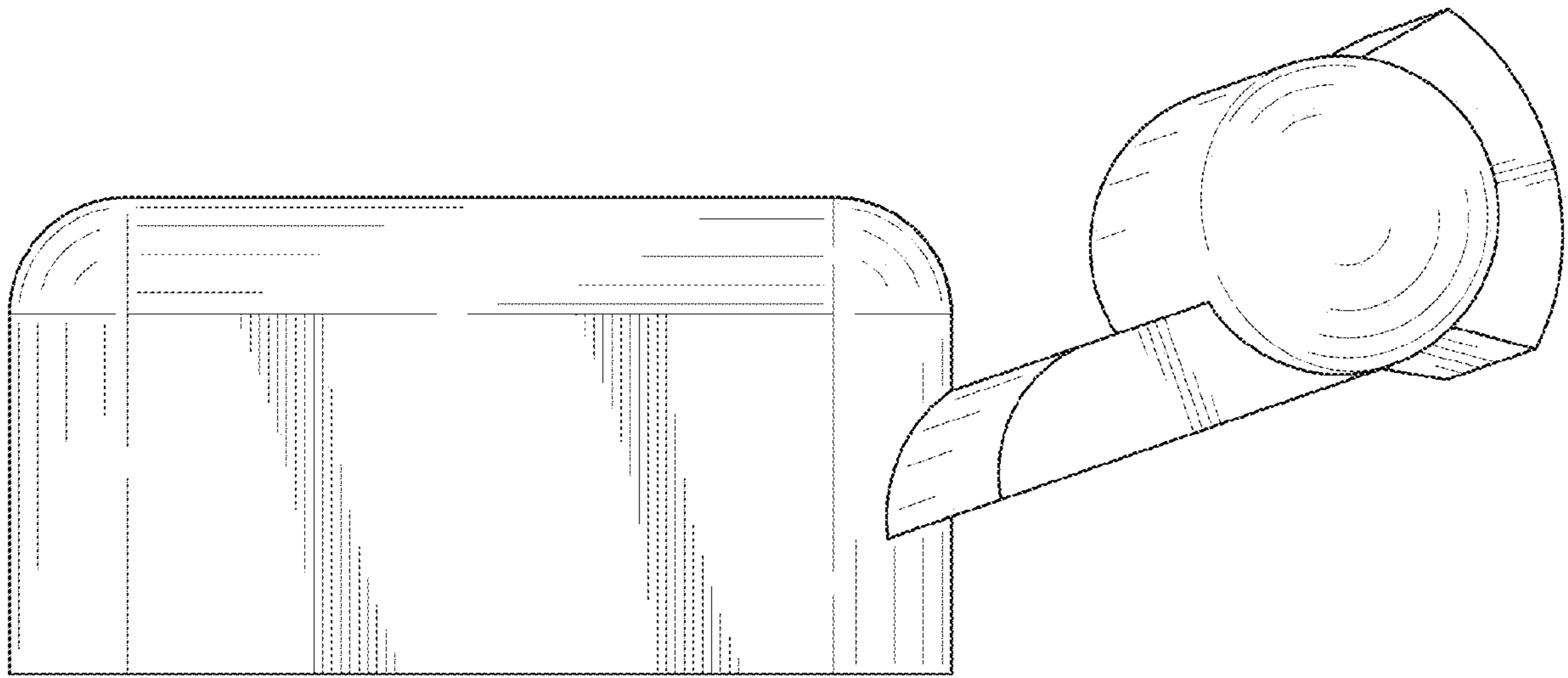


FIG. 4

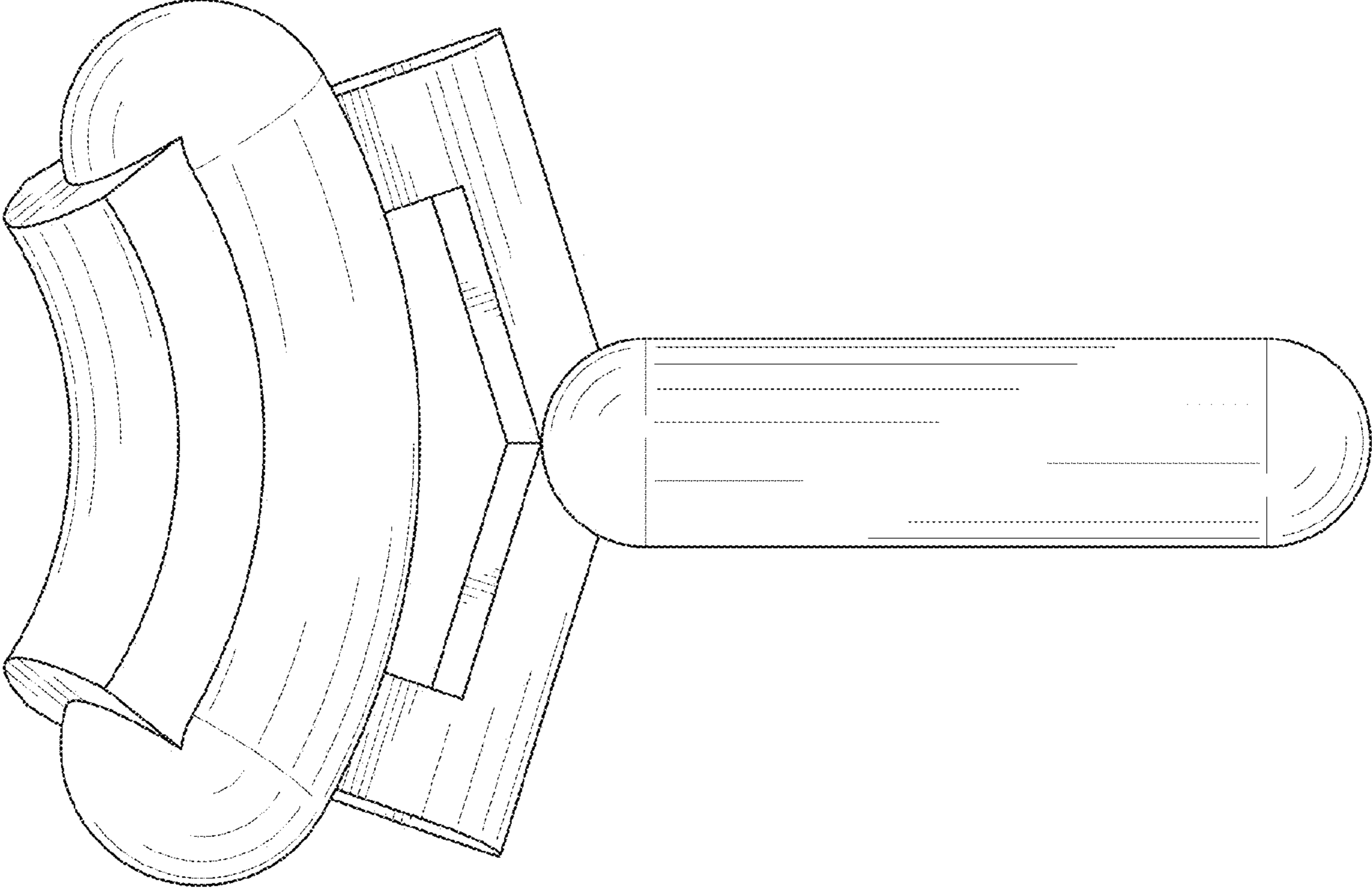


FIG. 6

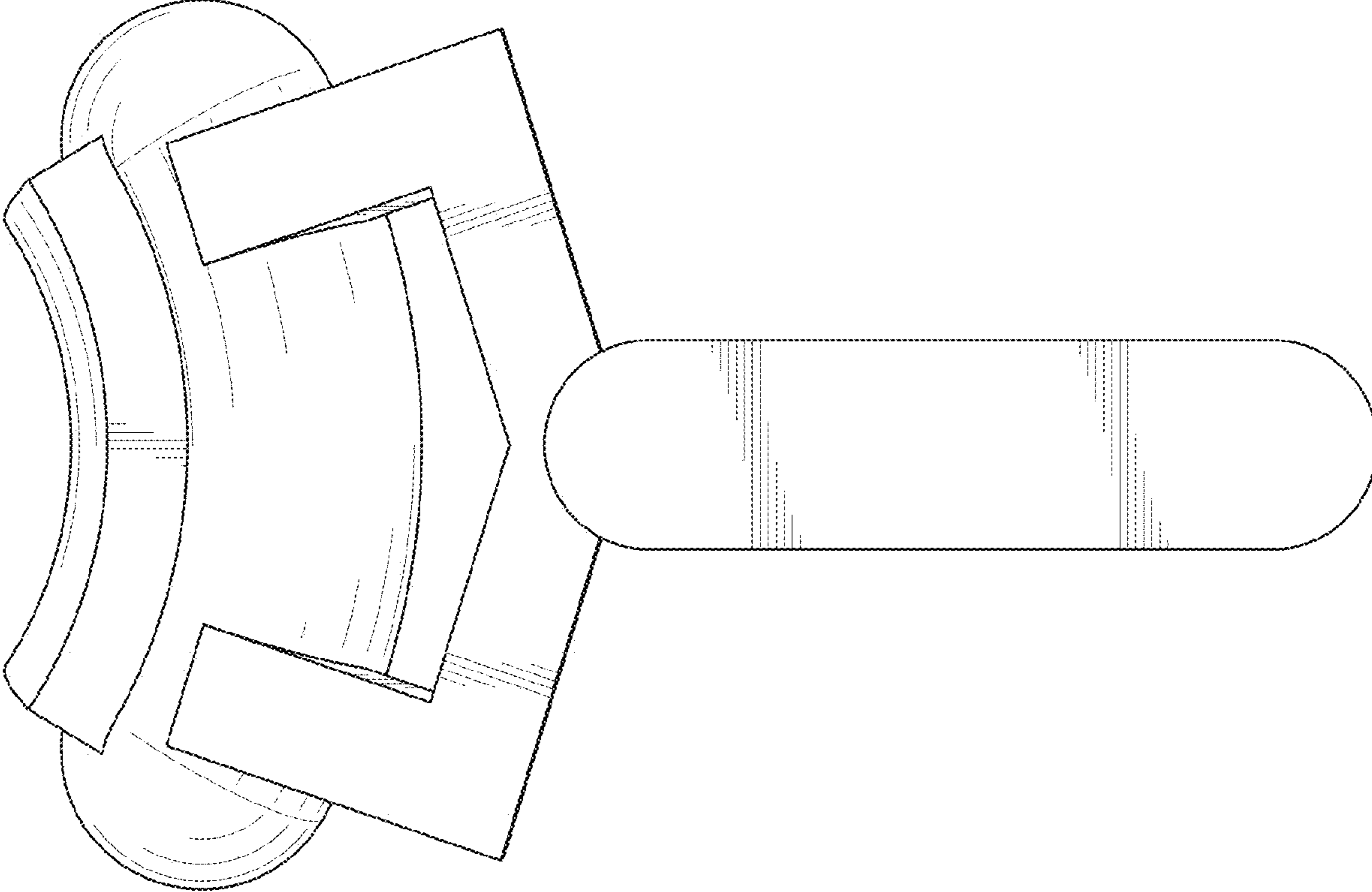


FIG. 7