



US00D873427S

(12) **United States Design Patent**
Murphy et al.

(10) **Patent No.:** **US D873,427 S**

(45) **Date of Patent:** **** Jan. 21, 2020**

- (54) **FEEDING DEVICE**
- (71) Applicants: **Jessica Murphy**, Hastings on Hudson, NY (US); **Satya Celeste Stainton**, Brooklyn, NY (US)
- (72) Inventors: **Jessica Murphy**, Hastings on Hudson, NY (US); **Satya Celeste Stainton**, Brooklyn, NY (US)
- (73) Assignee: **BebeBoost LLC**, Hastings-on-Hudson, NY (US)
- (**) Term: **15 Years**
- (21) Appl. No.: **29/627,038**
- (22) Filed: **Nov. 22, 2017**
- (51) **LOC (12) Cl.** **07-01**
- (52) **U.S. Cl.**
USPC **D24/199**; D9/455
- (58) **Field of Classification Search**
USPC D24/199; D30/133; D19/75; D9/455;
D7/397, 619.1
See application file for complete search history.

D363,549 S *	10/1995	Ye	D24/199
5,546,620 A	8/1996	Matthews		
5,551,109 A	9/1996	Tingley et al.		
D379,660 S *	6/1997	Aube	248/105
5,790,999 A	8/1998	Clark		
5,947,427 A	9/1999	Holmquist		
D439,671 S *	3/2001	Casillo	D24/199
D443,461 S	6/2001	Hall et al.		
6,564,408 B2	5/2003	Van Vuuren		
6,651,282 B1	11/2003	Skoug et al.		
6,711,770 B1	3/2004	Owens		
6,763,539 B1	7/2004	Bartley et al.		
7,111,347 B1	9/2006	Cottrell		
7,127,760 B2	10/2006	Bartley et al.		
7,793,371 B1	9/2010	Keach		
7,900,303 B2	3/2011	Mastrosimone-Gese		
8,166,587 B2	5/2012	Collins		
8,205,284 B2	6/2012	Mastrosimone-Gese		
8,418,295 B2	4/2013	Clark		
8,719,982 B2	5/2014	Kelly		
8,927,883 B2	1/2015	Roth		

(Continued)

Primary Examiner — Mary Ann Calabrese
Assistant Examiner — Katelin G Kloberg
 (74) *Attorney, Agent, or Firm* — Eric L. Lane; Green Patent Law

(57) **CLAIM**

The ornamental design of a feeding device, as shown and described.

DESCRIPTION

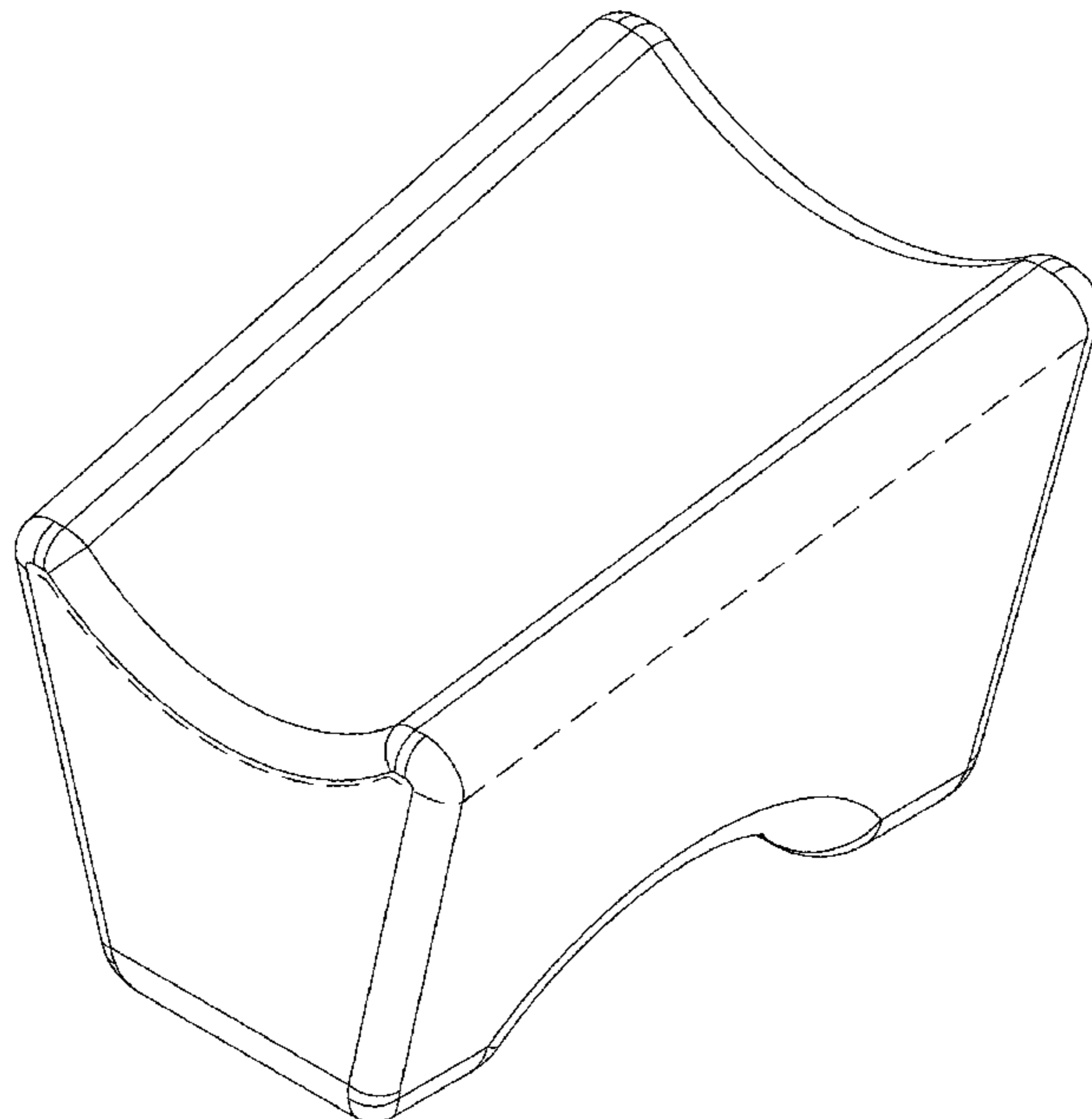
FIG. 1 is a top, front, right side perspective view for a feeding device, showing my new design;
 FIG. 2 is a front view thereof;
 FIG. 3 is a right side view thereof; and,
 FIG. 4 is a top view thereof.
 The broken lines shown in the drawings depict portions of the article and form no part of the claimed design.

1 Claim, 4 Drawing Sheets

(56) **References Cited**

U.S. PATENT DOCUMENTS

D197,828 S *	3/1964	Reis	D24/199
D198,488 S *	6/1964	Reis	D19/75
D210,566 S *	3/1968	Jay	D7/397
D282,969 S *	3/1986	Sukoff	D24/199
D310,418 S *	9/1990	Tribolet	D24/199
D318,202 S	7/1991	Weber		
D318,805 S *	8/1991	Imeson	D9/434
D318,969 S	8/1991	Byrn		
5,109,557 A	5/1992	Koy et al.		
5,154,649 A	10/1992	Pender		
5,261,134 A	11/1993	Matthews		
D361,131 S *	8/1995	Leopold	D24/199



(56)

References Cited

U.S. PATENT DOCUMENTS

9,271,581	B2	3/2016	Williams	
D812,475	S *	3/2018	Kauffman	D9/455
D818,769	S *	5/2018	Snyker	D7/397
2004/0130194	A1	7/2004	Wroobel	
2007/0056111	A1	3/2007	Lastman	
2009/0222993	A1	9/2009	Villanueva et al.	
2012/0278994	A1	11/2012	Bonzer et al.	
2014/0359947	A1	12/2014	Turner	
2015/0196136	A1	7/2015	Riddick	

* cited by examiner

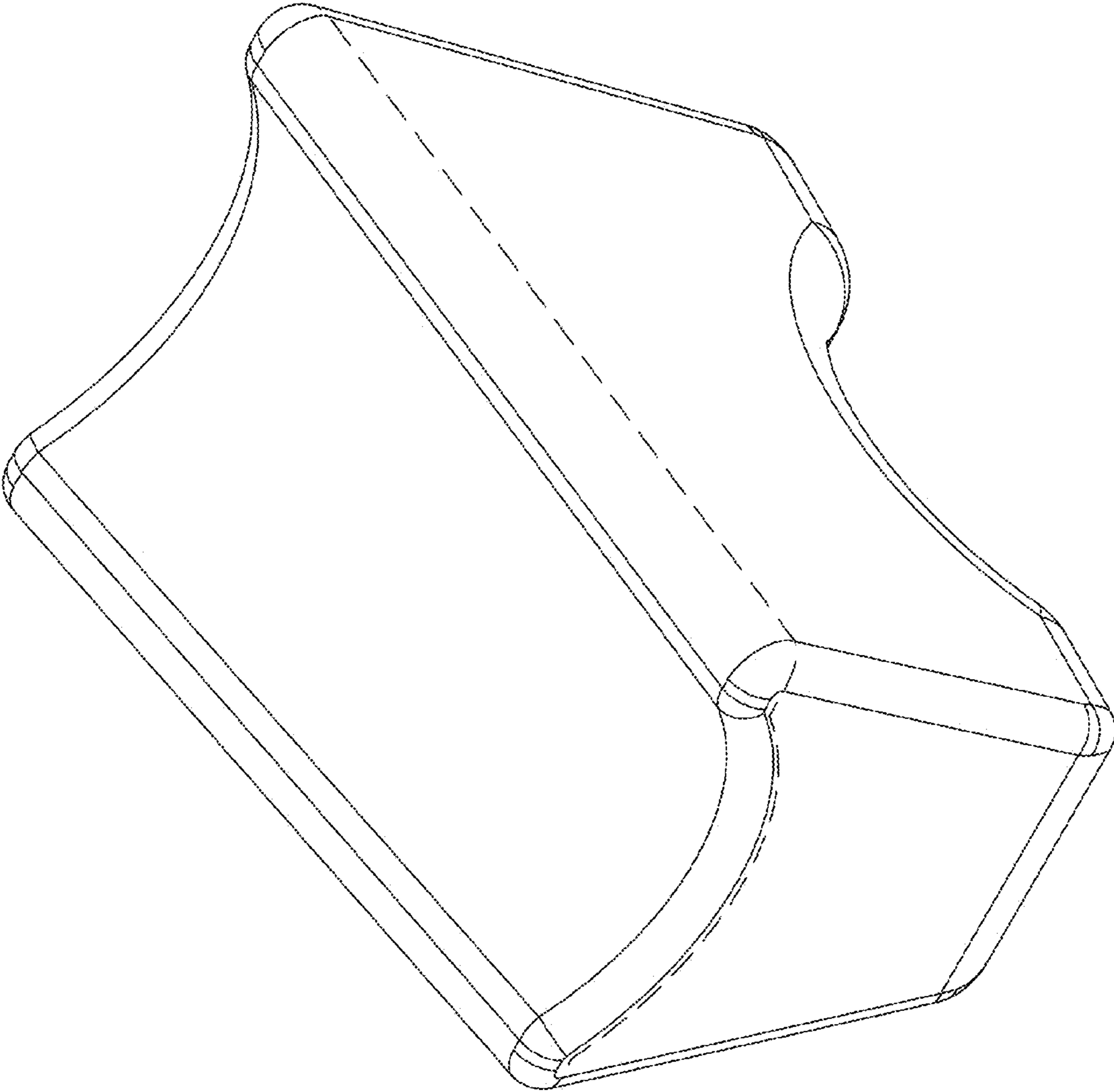


FIG. 1

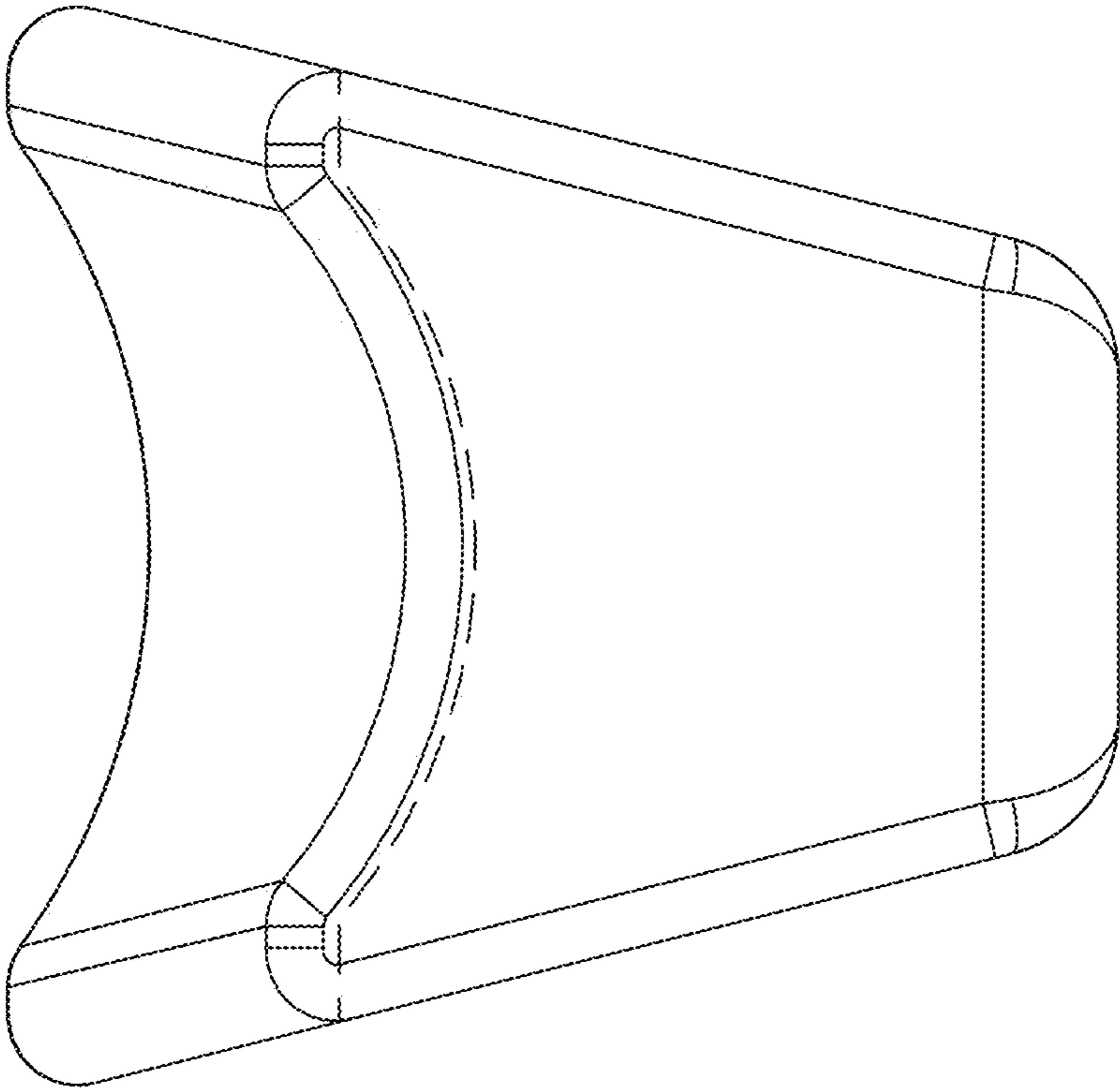


FIG. 2

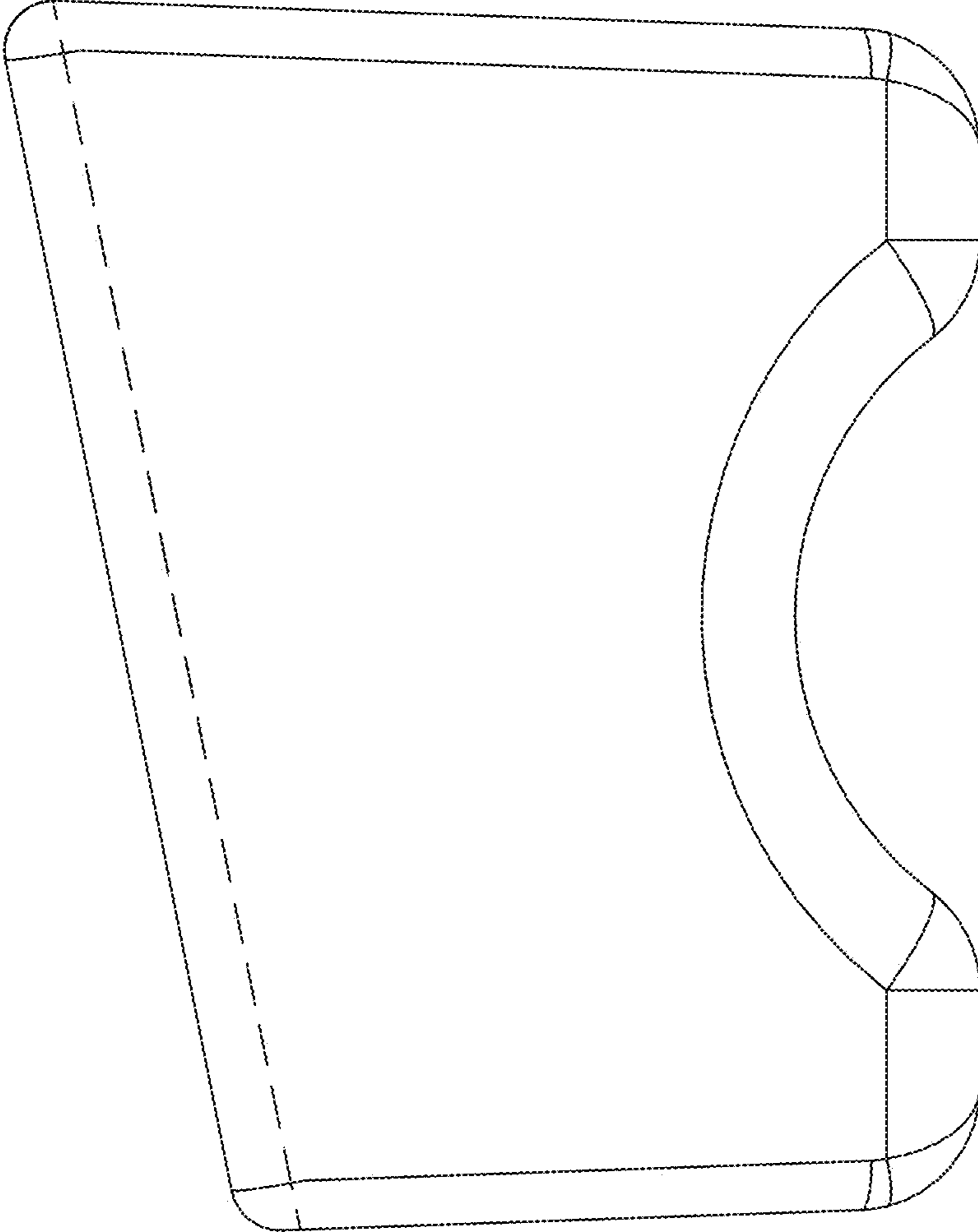


FIG. 3

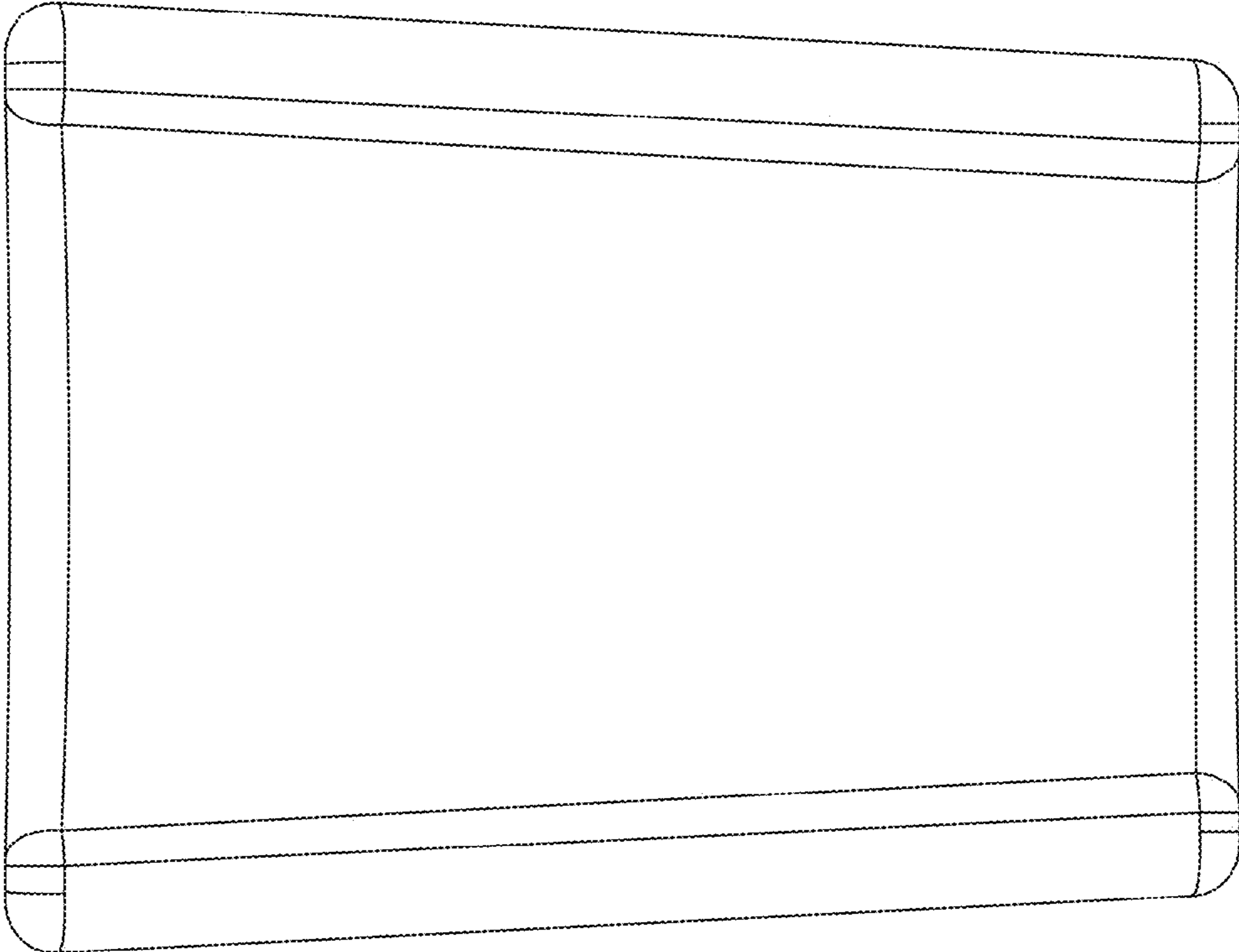


FIG. 4