



US00D873419S

(12) **United States Design Patent** (10) **Patent No.:** **US D873,419 S**  
**Rufin et al.** (45) **Date of Patent:** **\*\* Jan. 21, 2020**

(54) **THERAPEUTIC ANIMAL MASTICATION DEVICE**  
(71) Applicant: **Animal Oralectrics LLC**, Cleveland, OH (US)  
(72) Inventors: **Paul L. Rufin**, Gates Mills, OH (US); **Michael J. Keller**, Tallmadge, OH (US); **Michael V. Kaminski**, Elyria, OH (US); **Scott Mizer**, Lakewood, OH (US)

D195,168 S 5/1963 Sena  
3,118,667 A 1/1964 Barons  
D197,595 S 3/1964 Savitt  
D202,330 S 9/1965 Fisher  
D202,331 S 9/1965 Fisher  
D202,332 S 9/1965 Fisher  
3,830,202 A 8/1974 Garrison  
D245,512 S 8/1977 Kohl  
D256,958 S 9/1980 Markham  
4,378,007 A 3/1983 Kachadourian

(Continued)

(73) Assignee: **Animal Oralectrics LLC**, Cleveland, OH (US)  
(\*\*) Term: **15 Years**  
(21) Appl. No.: **29/628,122**  
(22) Filed: **Dec. 1, 2017**

**Related U.S. Application Data**

(62) Division of application No. 29/478,617, filed on Jan. 7, 2014, now Pat. No. Des. 805,207.  
(51) **LOC (12) Cl.** ..... **24-02**  
(52) **U.S. Cl.**  
USPC ..... **D24/187**; D30/160  
(58) **Field of Classification Search**  
USPC ..... D24/136, 186, 187, 191, 193, 194, 200;  
D21/451, 457, 567, 681; D25/160;  
D1/130; D30/160; D11/26, 27, 35, 39  
CPC .... A01K 15/026; A01K 15/025; A01K 27/00;  
A01K 29/00; A61F 7/00; A62B 35/00;  
A61H 15/00; A63B 23/032; A61C 7/00  
See application file for complete search history.

(56) **References Cited**

**U.S. PATENT DOCUMENTS**

1,749,632 A 3/1930 Ferris  
2,103,083 A 12/1937 Lynch  
D119,035 S 2/1940 Lindgren  
D195,167 S 5/1963 Sena

**OTHER PUBLICATIONS**

New Medical Device For Dogs Fights Oral Bacteria While He Plays; Crowdfunding Launches Today. Online, published date Oct. 15, 2014. Retrieved on Jan. 9, 2019 from URL: <https://www.prnewswire.com/news-releases/new-medical-device-for-dogs-fights-oral-bacteria-while-he-plays-crowdfunding-launches-today-279254882.html>.\*

(Continued)

*Primary Examiner* — Susan Bennett Hattan  
*Assistant Examiner* — Omeed Agilee

(74) *Attorney, Agent, or Firm* — Smith Keane LLP

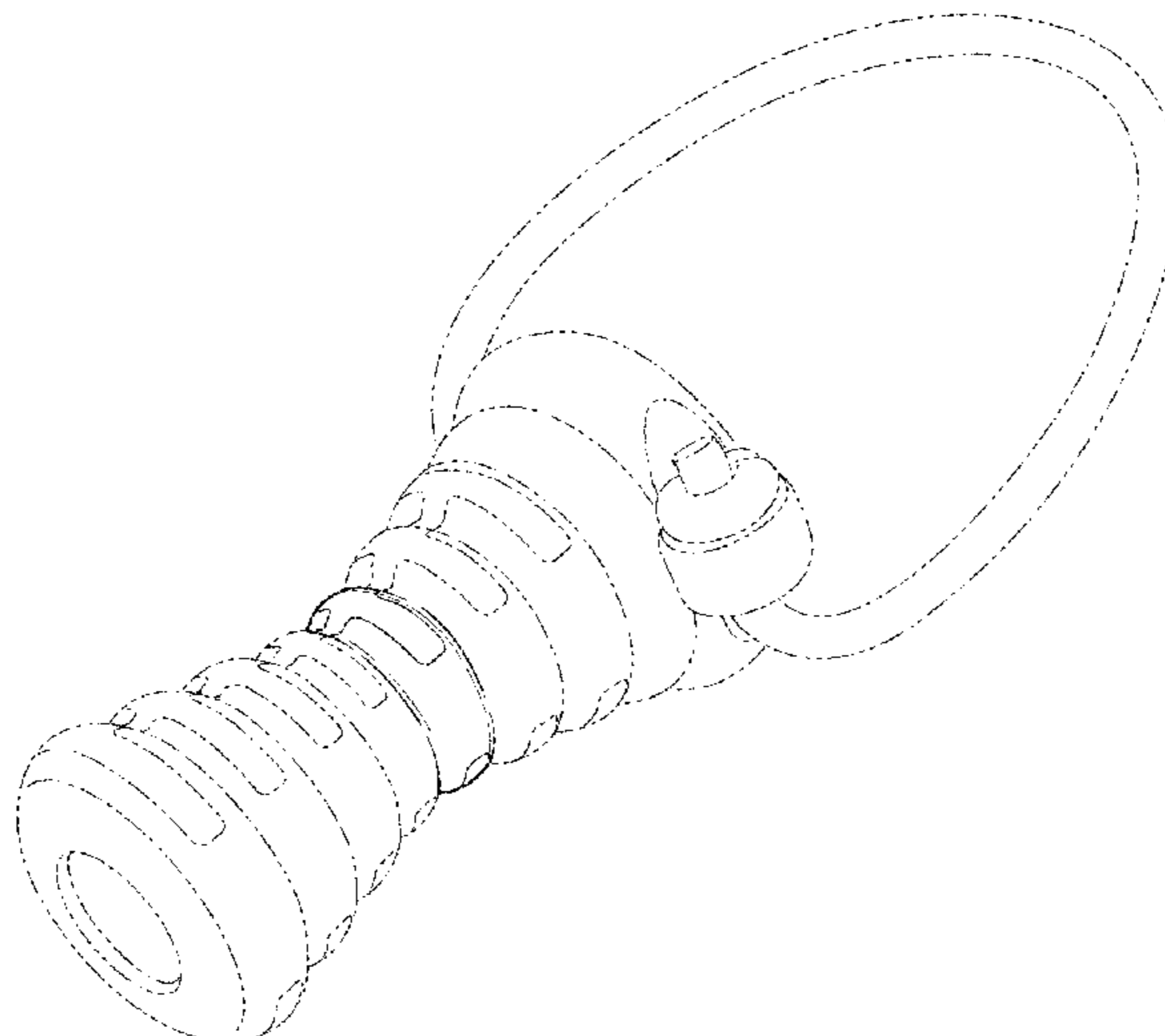
(57) **CLAIM**

The ornamental design for a therapeutic animal mastication device, as shown and described.

**DESCRIPTION**

FIG. 1 is a perspective view of a therapeutic animal mastication device according to the present invention. FIG. 2 is a front elevation view thereof, to which a rear elevation view is identical. FIG. 3 is a left side elevation view thereof, to which a right side elevation view is identical. FIG. 4 is a top plan view thereof; and, FIG. 5 is a bottom plan view thereof. The broken lines represent unclaimed portions of the therapeutic animal mastication device.

**1 Claim, 2 Drawing Sheets**



(56)

References Cited

U.S. PATENT DOCUMENTS

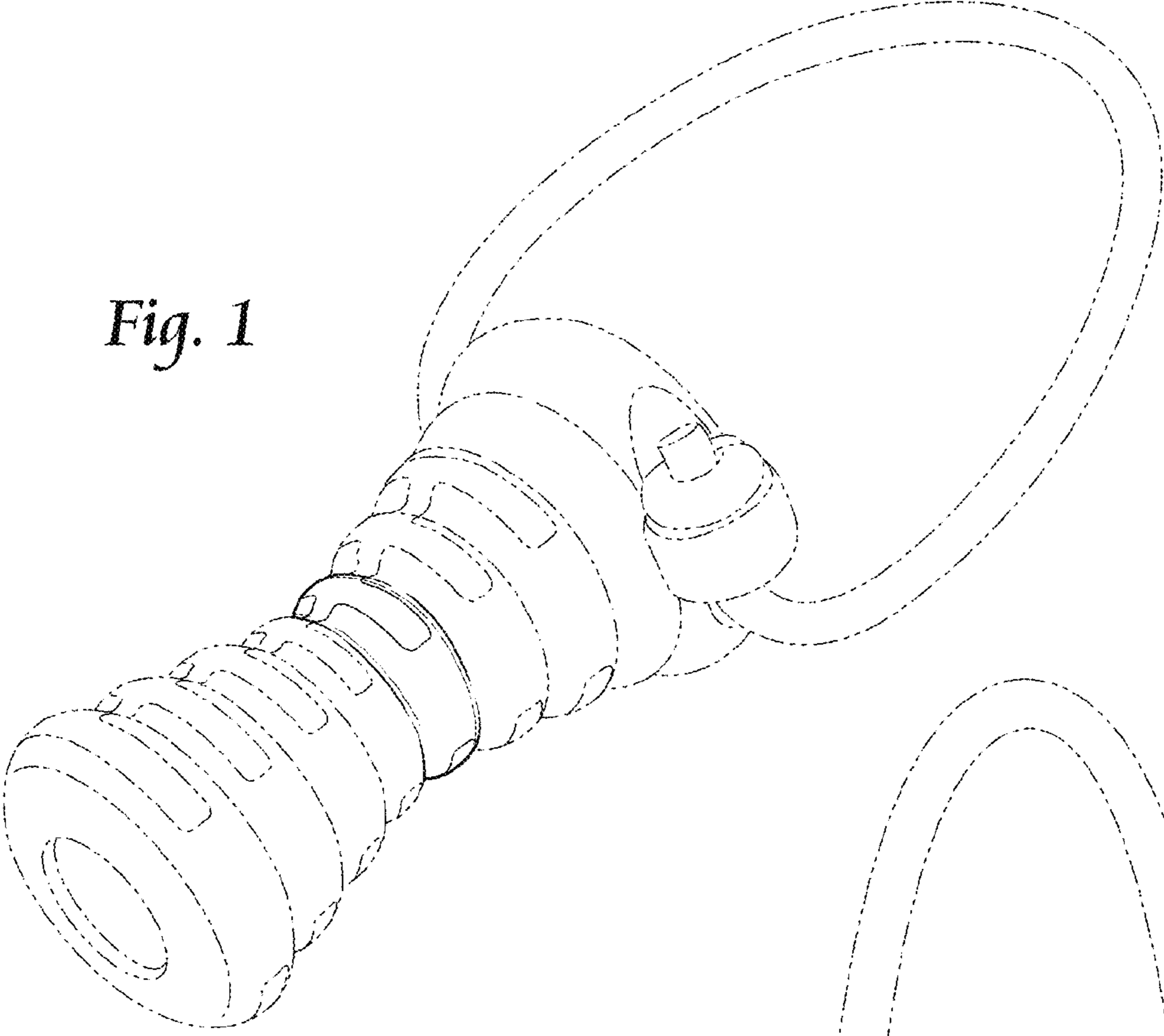
D274,468 S \* 6/1984 Perry ..... D24/211  
 D279,406 S \* 6/1985 Shiu ..... D24/211  
 D297,665 S 9/1988 Neeley  
 4,802,444 A 2/1989 Markham et al.  
 D307,339 S 4/1990 Markham et al.  
 D308,122 S 5/1990 Markham et al.  
 4,924,811 A 5/1990 Axelrod  
 D320,453 S \* 10/1991 Von Winckler ..... D24/200  
 5,131,383 A 7/1992 Juarez  
 D333,937 S \* 3/1993 Prosser ..... D30/160  
 D335,924 S \* 5/1993 Nilsson ..... D24/115  
 RE34,352 E 8/1993 Markham et al.  
 5,263,436 A 11/1993 Axelrod  
 5,263,976 A 11/1993 Williams  
 D343,234 S 1/1994 Williams  
 D344,161 S 2/1994 Markham  
 D347,248 S \* 5/1994 Franzman ..... D21/424  
 D349,786 S 8/1994 Markham  
 5,339,771 A 8/1994 Axelrod  
 D368,339 S 3/1996 O'Rourke et al.  
 D388,236 S \* 12/1997 Goldstein ..... D1/118  
 5,832,877 A 11/1998 Markham  
 5,857,431 A 1/1999 Peterson  
 5,865,146 A 2/1999 Markham  
 D407,868 S 4/1999 Axelrod  
 D412,207 S 7/1999 Hertz  
 5,947,061 A 9/1999 Markham et al.  
 D415,835 S \* 10/1999 Malewicz ..... D24/187  
 6,067,941 A 5/2000 Axelrod  
 6,112,703 A 9/2000 Handelsman  
 6,405,681 B1 6/2002 Ward  
 6,415,740 B1 7/2002 Curry  
 6,439,166 B1 8/2002 Markham  
 D462,487 S 9/2002 Axelrod  
 6,546,896 B1 4/2003 Markham  
 6,615,766 B1 9/2003 Curry  
 D504,748 S 5/2005 Jager  
 D522,658 S 6/2006 Schiavoni  
 D525,397 S 7/2006 Wang  
 7,083,548 B1 8/2006 Moore  
 7,087,260 B2 8/2006 Axelrod  
 D539,430 S 3/2007 Lowsky, Jr. et al.  
 RE39,563 E 4/2007 Markham  
 D544,655 S 6/2007 Hass  
 D547,606 S 7/2007 Forsman  
 7,263,952 B1 \* 9/2007 Tsengas ..... A01K 15/026  
 119/709  
 RE40,430 E 7/2008 Markham  
 D578,726 S \* 10/2008 Edwards ..... D1/109

D579,157 S 10/2008 Edwards  
 D598,118 S 8/2009 Schiavoni  
 7,640,894 B2 1/2010 Jager  
 D611,597 S 3/2010 Allmond  
 D626,706 S 11/2010 Ragonetti  
 D627,882 S \* 11/2010 Slowey ..... D24/133  
 D628,662 S \* 12/2010 Heller ..... D21/692  
 D638,589 S 5/2011 Axelrod et al.  
 7,935,065 B2 5/2011 Martin  
 D658,825 S 5/2012 Wolfe, Jr. et al.  
 D664,723 S 7/2012 Wolfe, Jr.  
 8,225,747 B2 7/2012 Markham et al.  
 D665,136 S 8/2012 Day  
 8,276,547 B2 10/2012 Markham  
 D672,513 S 12/2012 Wolfe, Jr.  
 D677,439 S 3/2013 Renforth  
 8,393,300 B2 3/2013 Markham et al.  
 D688,836 S 8/2013 Costello  
 D689,155 S 9/2013 Jahns  
 D729,493 S 5/2015 Slusarczyk  
 9,072,889 B1 7/2015 Guarraia  
 D762,928 S \* 8/2016 Lai ..... D30/160  
 D787,363 S \* 5/2017 Faught ..... D11/26  
 D789,232 S \* 6/2017 Baker ..... D11/26  
 D805,207 S \* 12/2017 Ruffin ..... D24/187  
 D827,736 S \* 9/2018 Meyer ..... D21/684  
 2003/0079693 A1 5/2003 Jager  
 2004/0137118 A1 7/2004 Axelrod  
 2004/0244719 A1 12/2004 Jager  
 2006/0201446 A1 9/2006 Edwards  
 2008/0314333 A1 12/2008 Hurwitz  
 2009/0048647 A1 2/2009 Tingey  
 2010/0224138 A1 9/2010 Axelrod et al.  
 2012/0272922 A1 11/2012 Axelrod et al.  
 2013/0296751 A1 11/2013 Martin  
 2015/0190631 A1 \* 7/2015 Ruffin ..... A61N 1/0548  
 607/134

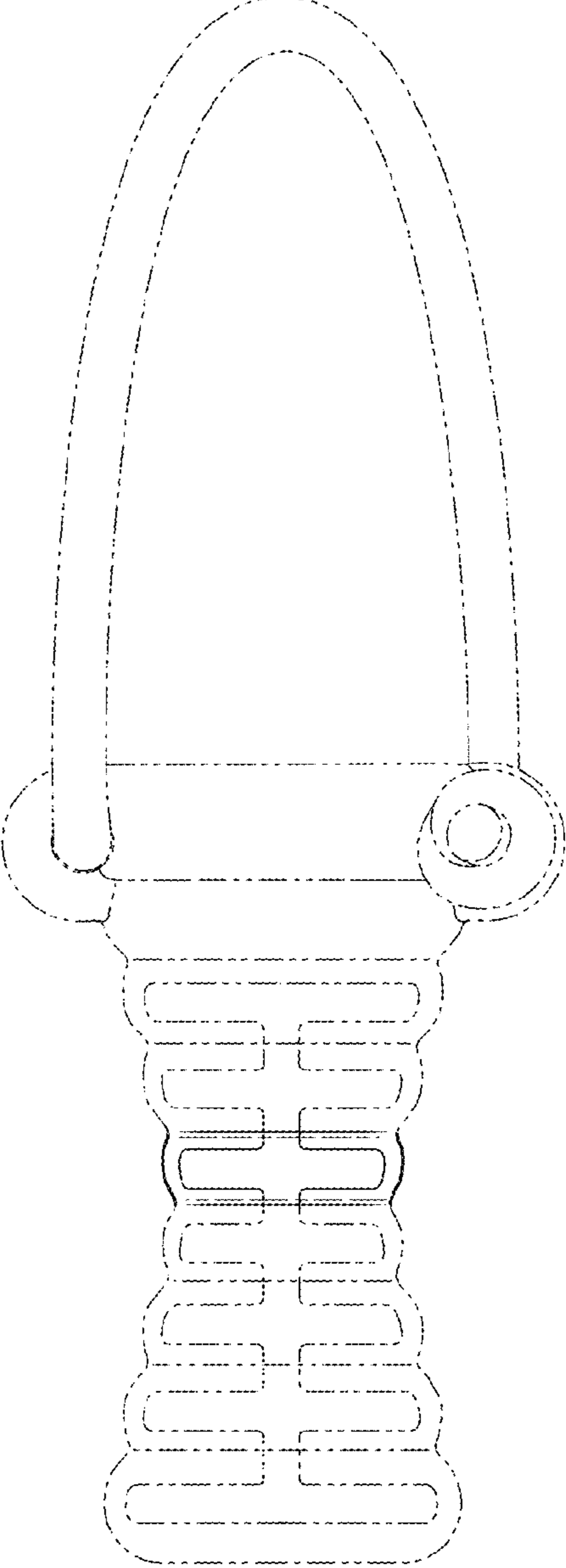
OTHER PUBLICATIONS

3D Kong Style Dog Toy model. Online, published date Jun. 2, 2017.  
 Retrieved on Jan. 9, 2019 from URL: <https://www.turbosquid.com/3d-models/3d-kong-style-dog-toy-model-1164368>.  
 USPTO Final Office Action, dated Apr. 6, 2017, U.S. Appl. No. 29/478,617, filed Jan. 7, 2014.  
 USPTO Non-Final Office Action, dated Oct. 19, 2016, U.S. Appl. No. 29/478,617, filed Jan. 7, 2014.  
 USPTO Non-Final Office Action, dated Mar. 22, 2016, U.S. Appl. No. 29/478,617, filed Jan. 7, 2014.

\* cited by examiner

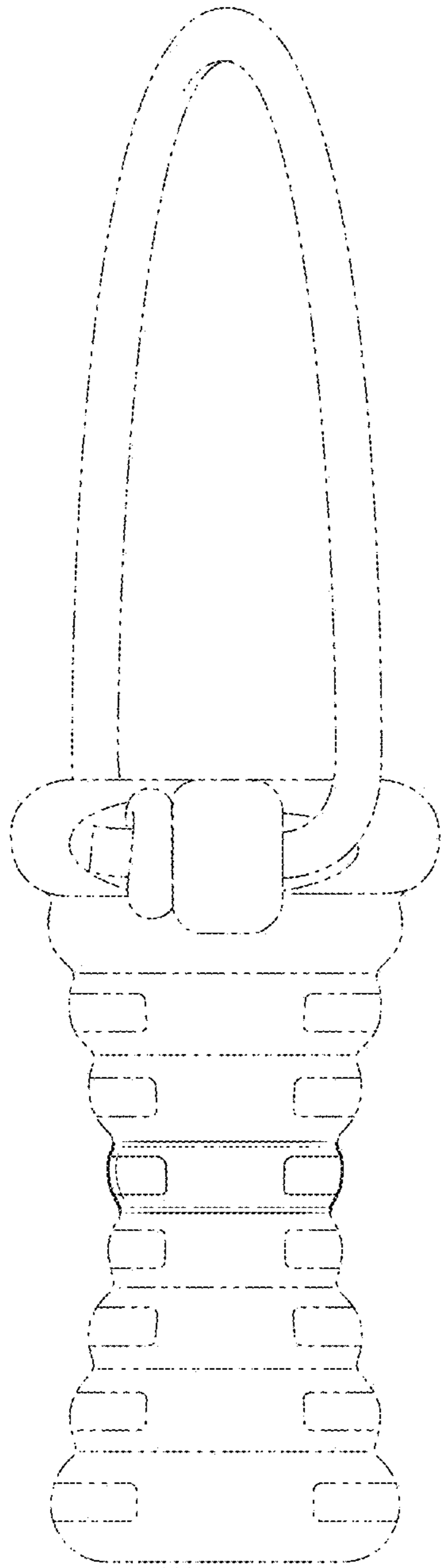


*Fig. 1*

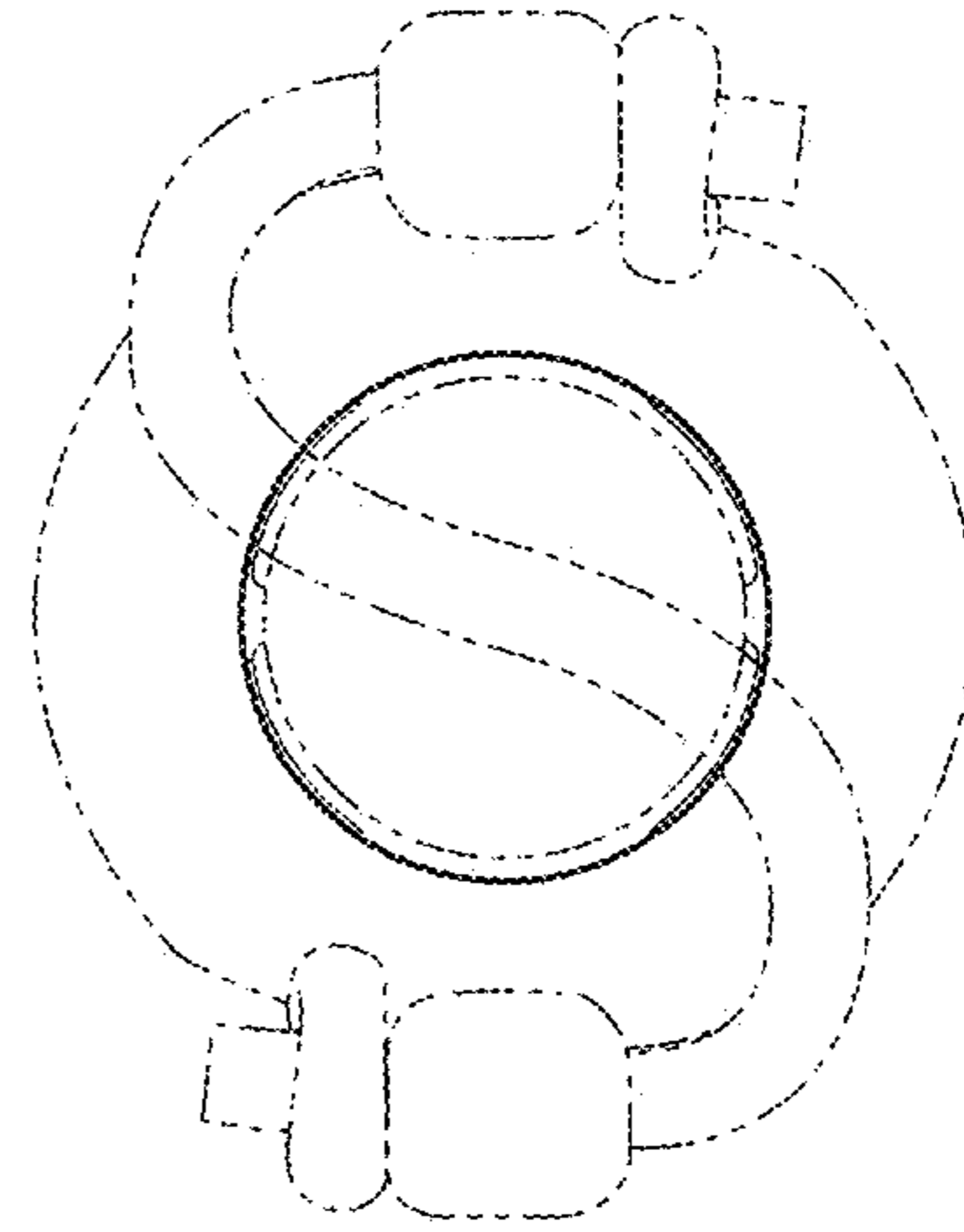


*Fig. 2*

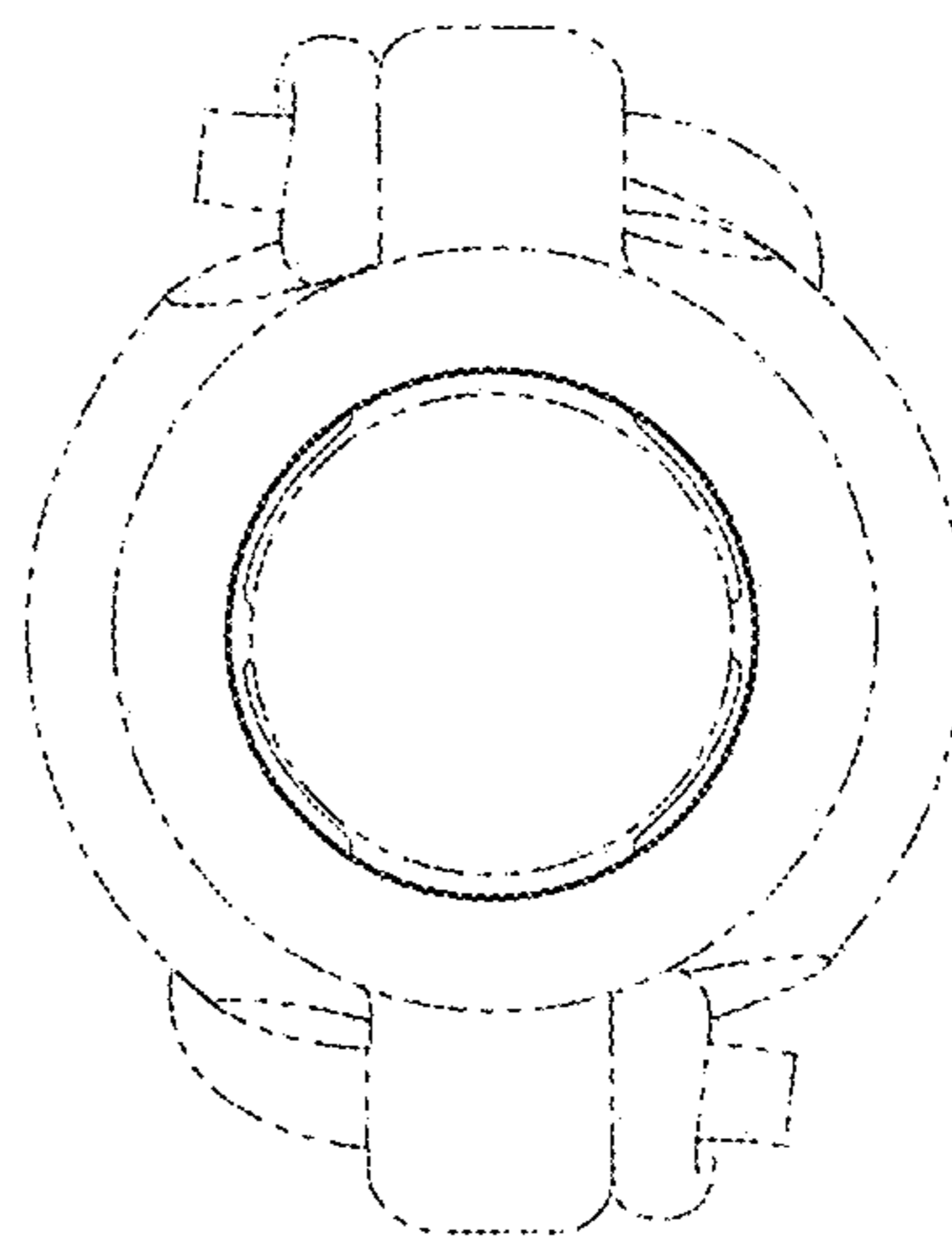




*Fig. 3*



*Fig. 4*



*Fig. 5*