



US00D873418S

(12) **United States Design Patent** (10) **Patent No.:** **US D873,418 S**
Scott (45) **Date of Patent:** **** Jan. 21, 2020**

(54) **CART FOR SURGICAL ROBOT ARM**

(71) Applicant: **CMR SURGICAL LIMITED,**
Cambridge (GB)

(72) Inventor: **Roy Scott,** Cambridge (GB)

(73) Assignee: **CMR Surgical Limited,** Cambridge
(GB)

(**) Term: **15 Years**

(21) Appl. No.: **29/627,993**

(22) Filed: **Nov. 30, 2017**

(30) **Foreign Application Priority Data**

May 30, 2017 (GB) 6013078

(51) **LOC (12) Cl.** **24-02**

(52) **U.S. Cl.**
USPC **D24/185**

(58) **Field of Classification Search**
USPC D24/185, 199, 170; D21/578; D15/199;
D13/168

CPC A61B 18/1206; A61B 34/71; B25J 9/08;
B25J 9/04; B25J 9/1689

See application file for complete search history.

(56) **References Cited**

U.S. PATENT DOCUMENTS

3,951,271 A * 4/1976 Mette B25J 9/041
414/591

4,766,775 A * 8/1988 Hodge B25J 9/08
74/490.01

D695,407 S * 12/2013 Price A61B 18/1206
D24/170

D752,668 S * 3/2016 Pedersen D15/199

D763,336 S * 8/2016 Ries D15/199
D802,040 S * 11/2017 Canoso D15/199
D823,917 S * 7/2018 Bernazeau D15/199
D824,460 S * 7/2018 Wang D21/578
D825,066 S * 8/2018 Liu D24/199
D831,755 S * 10/2018 Wang D21/578
D840,360 S * 2/2019 Scott D13/168
10,206,752 B2 * 2/2019 Hares B25J 9/1689
D846,127 S * 4/2019 Yang D24/185
10,299,873 B2 * 5/2019 Hares A61B 34/71
D852,285 S * 6/2019 Qi D21/578
10,398,516 B2 * 9/2019 Jackson

* cited by examiner

Primary Examiner — Rhea Shields

(74) *Attorney, Agent, or Firm* — Mintz Levin Cohn Ferris
Glovsky and Popeo, P.C.

(57) **CLAIM**

The ornamental design for a cart for a surgical robot arm, as
shown and described.

DESCRIPTION

FIG. 1 is a top, rear, right-side perspective view of a cart for
a surgical robot arm;

FIG. 2 is a top, right-side, front perspective view of the cart
of FIG. 1;

FIG. 3 is a back elevation view of the cart of FIG. 1;

FIG. 4 is a left-side elevation view of the cart of FIG. 1;

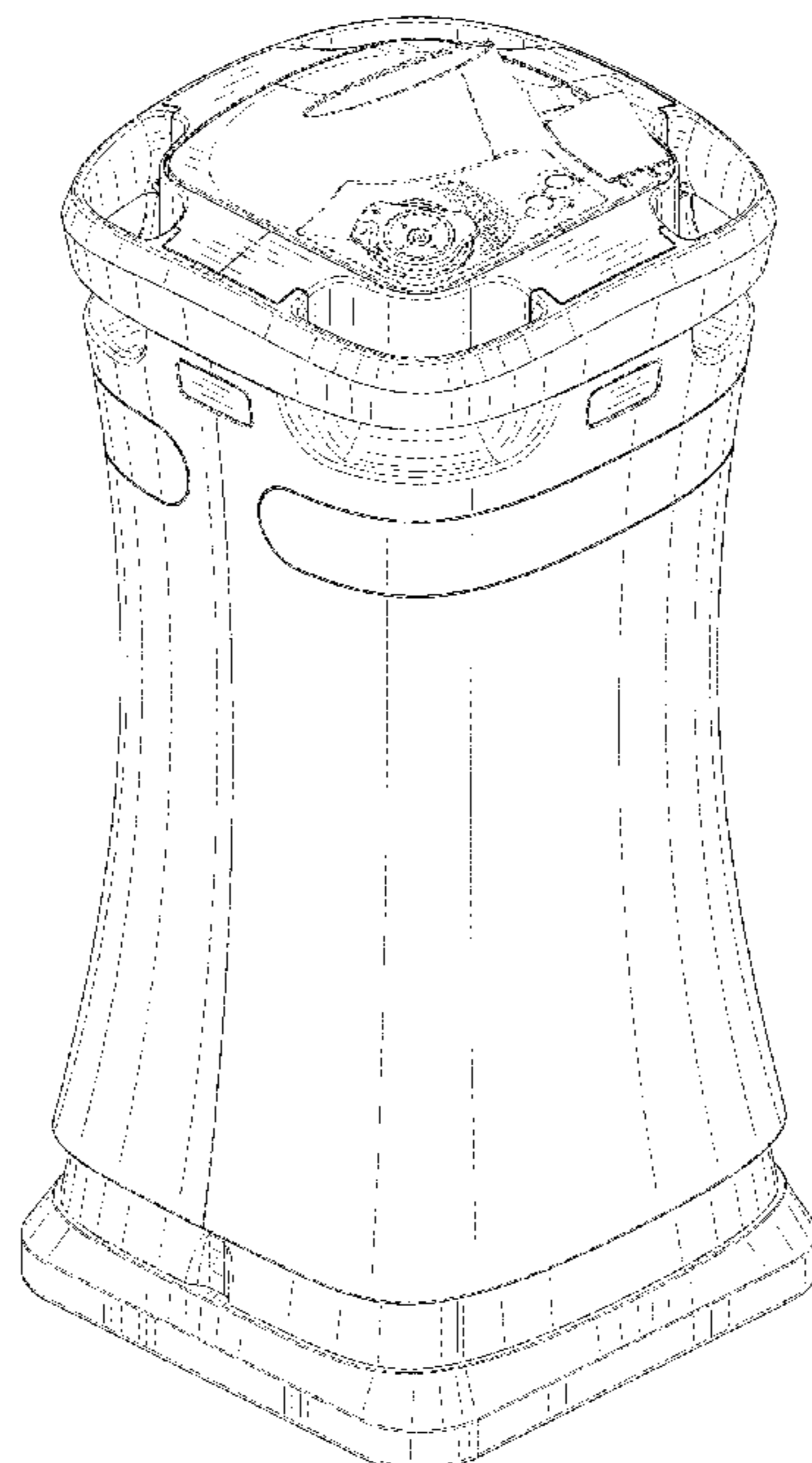
FIG. 5 is a front elevation view of the cart of FIG. 1;

FIG. 6 is a right-side elevation view of the cart of FIG. 1;
and,

FIG. 7 is a top plan view of the cart of FIG. 1.

In the drawings, the broken lines are for the purpose of
illustrating environment only and form no part of the
claimed design.

1 Claim, 7 Drawing Sheets



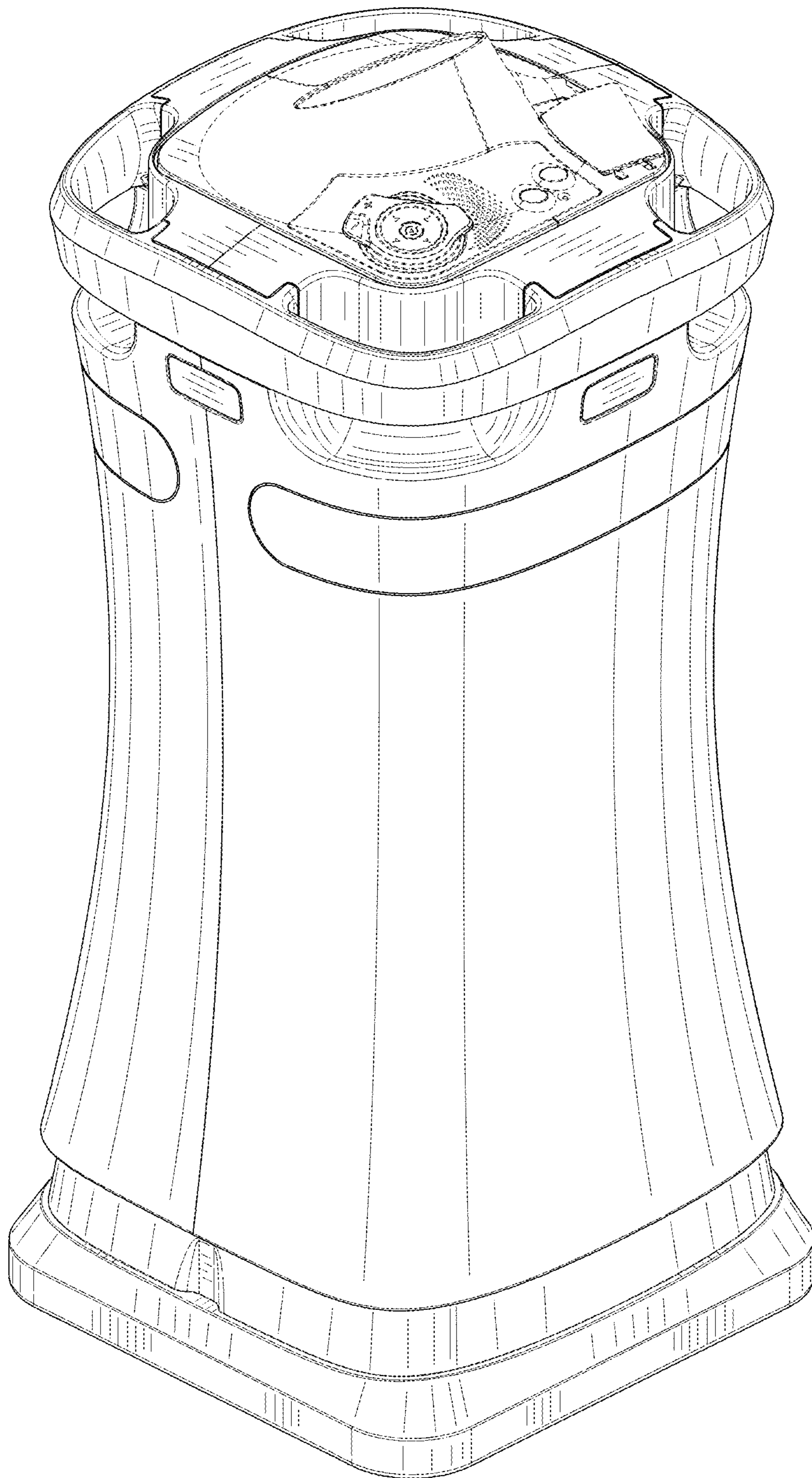


FIG. 1

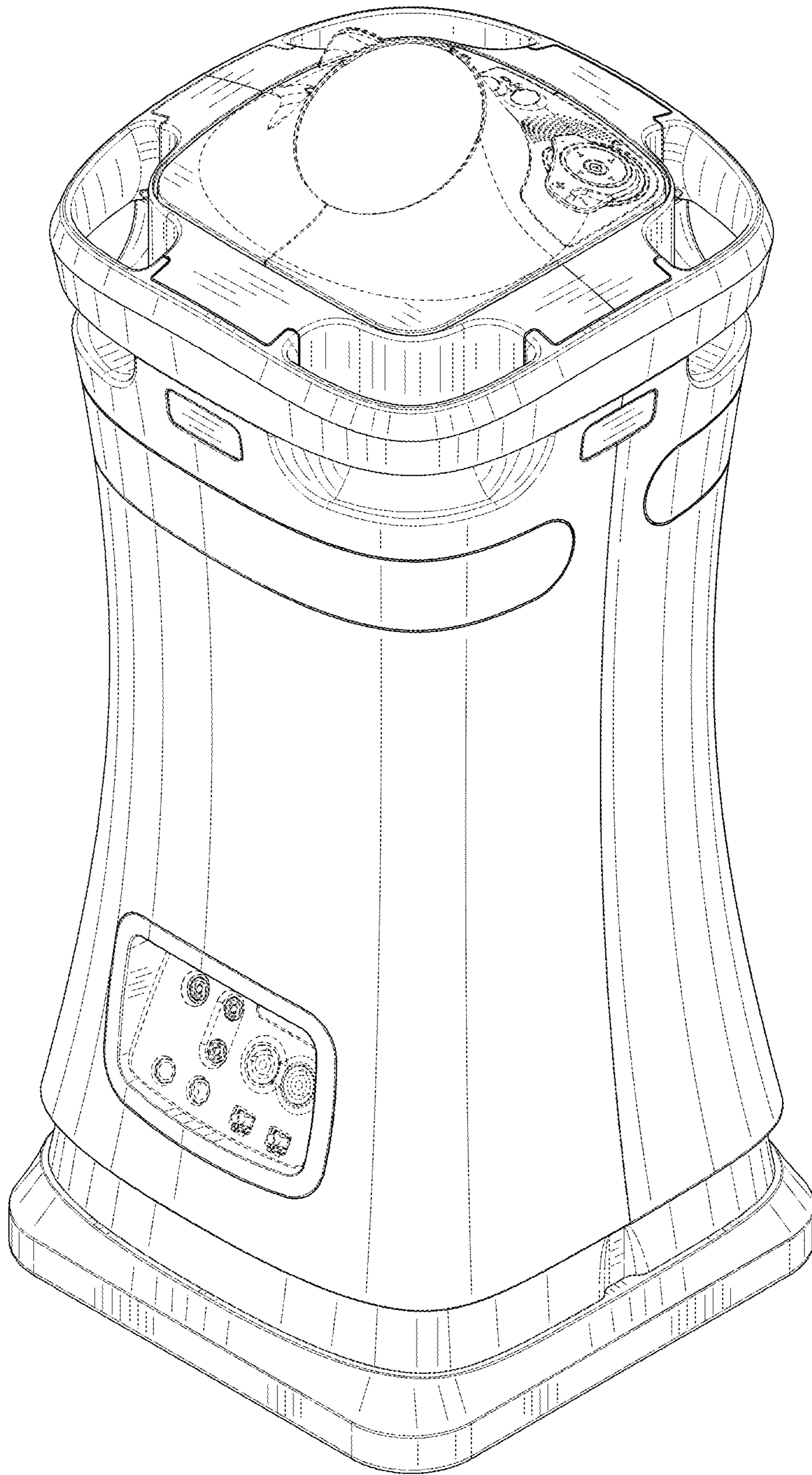


FIG. 2

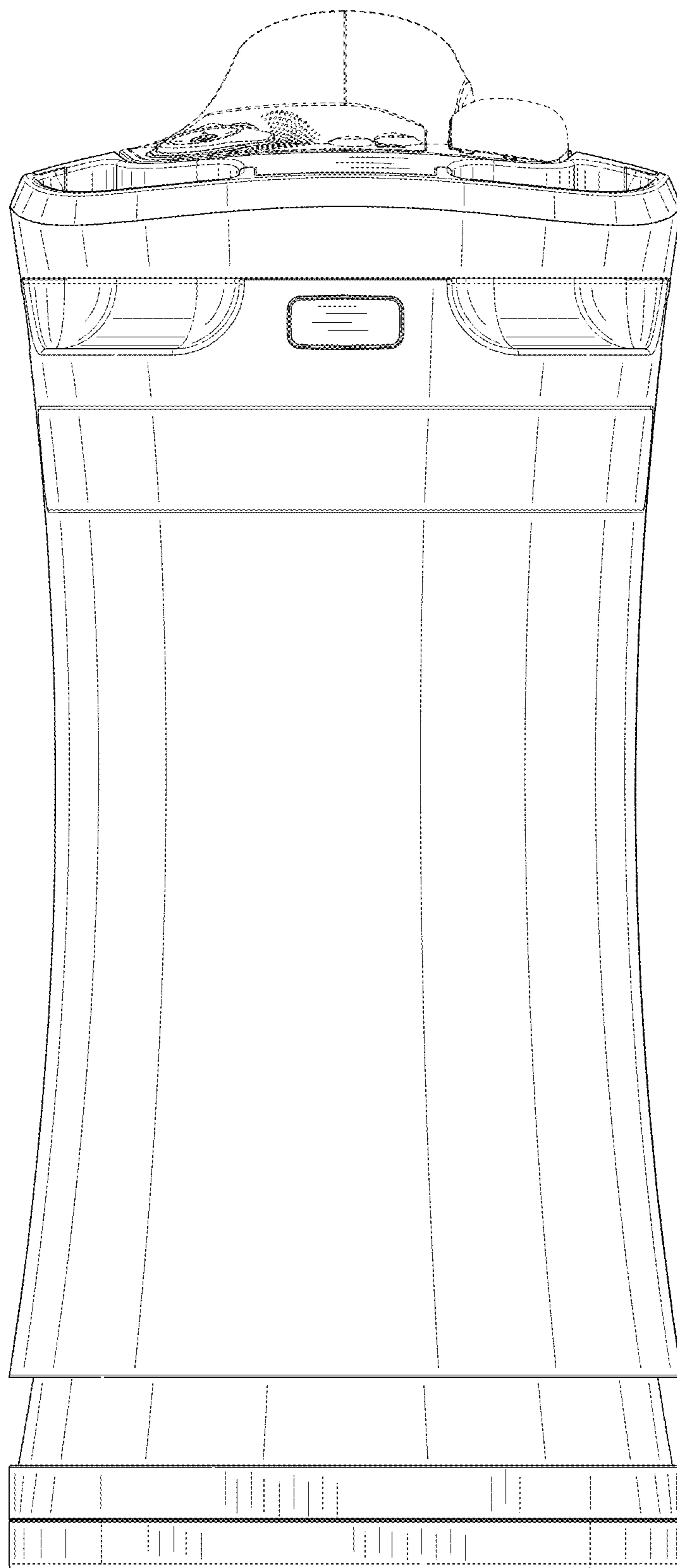


FIG. 3

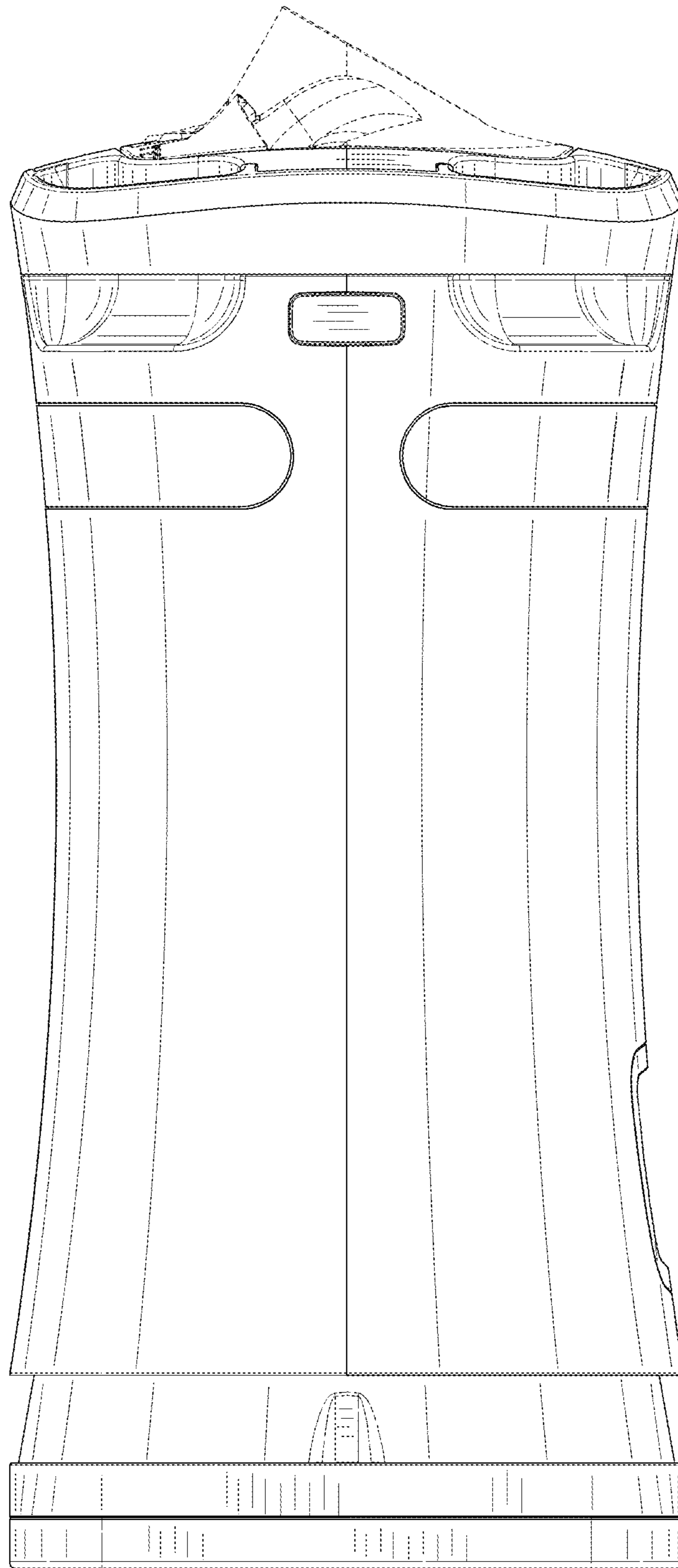


FIG. 4

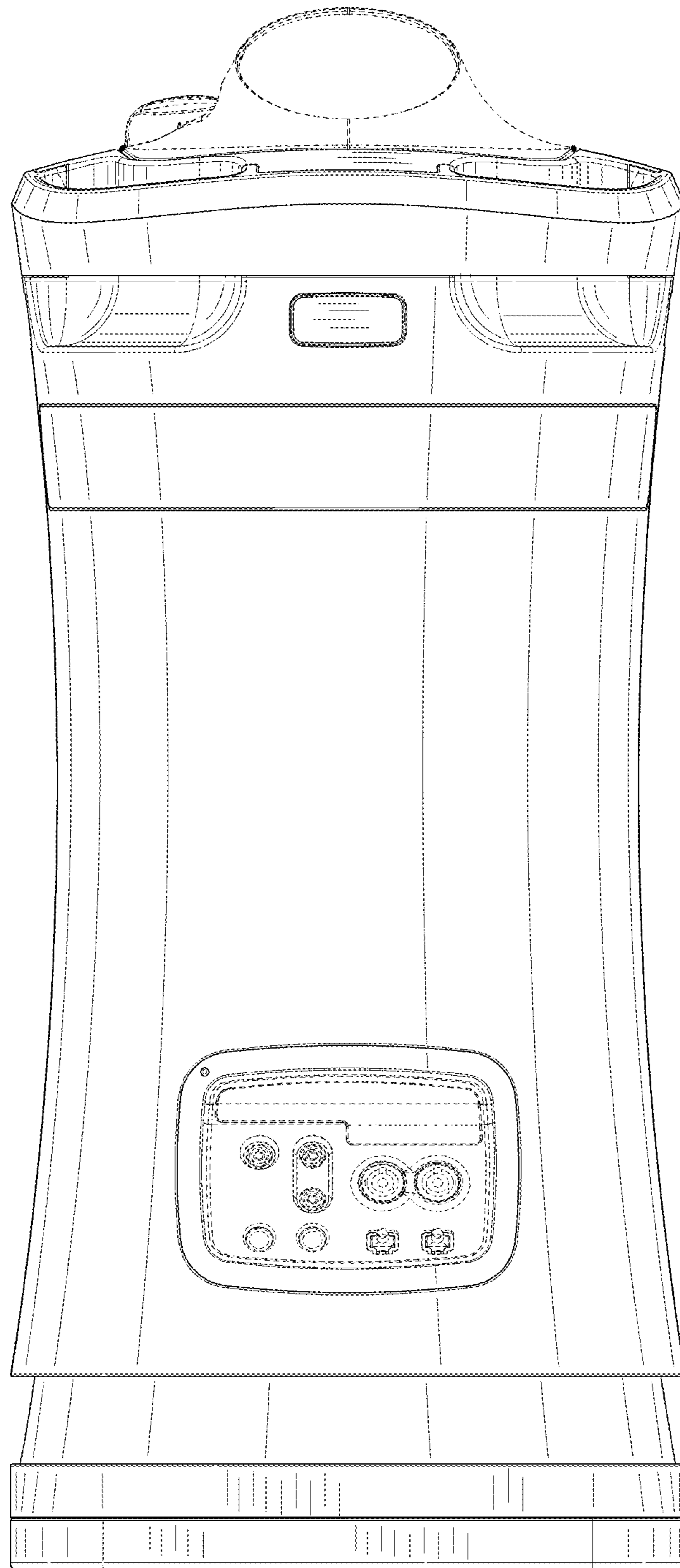


FIG. 5

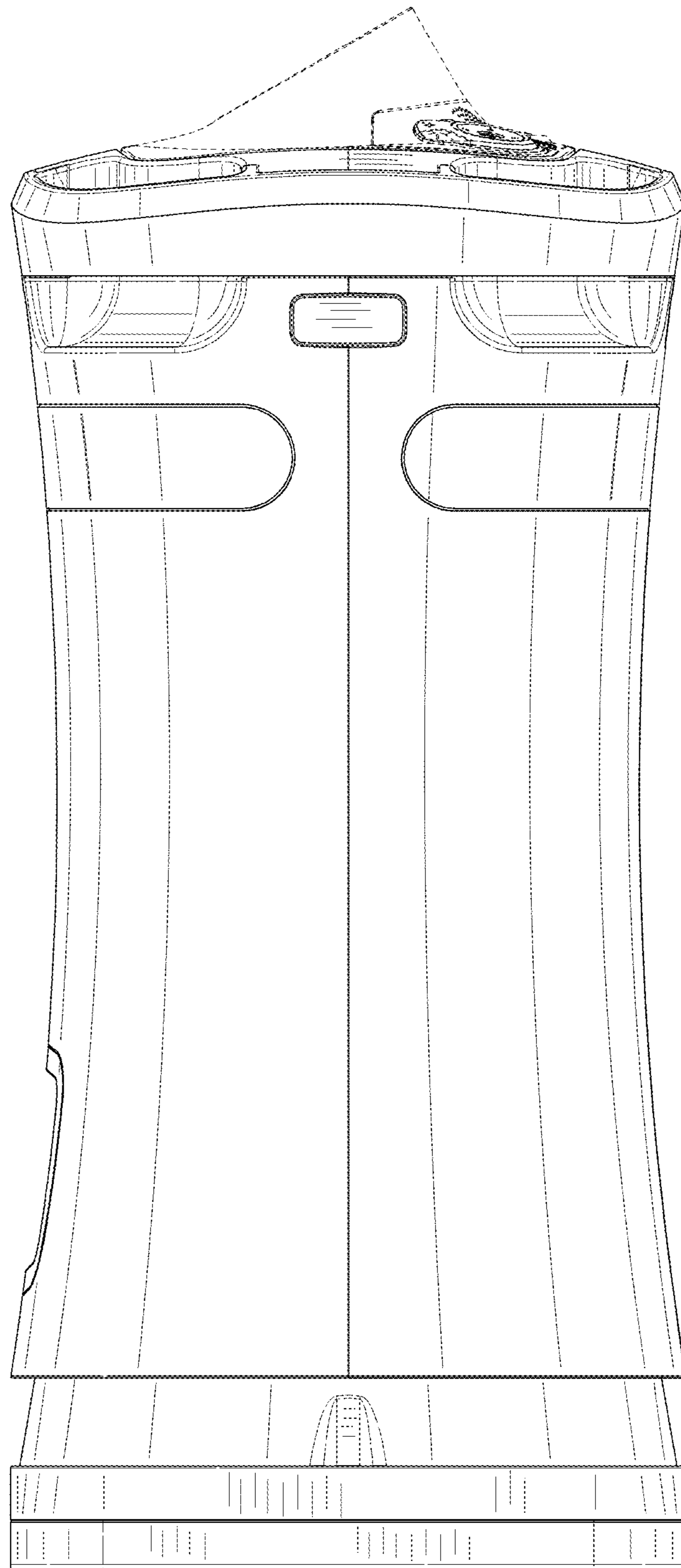


FIG. 6

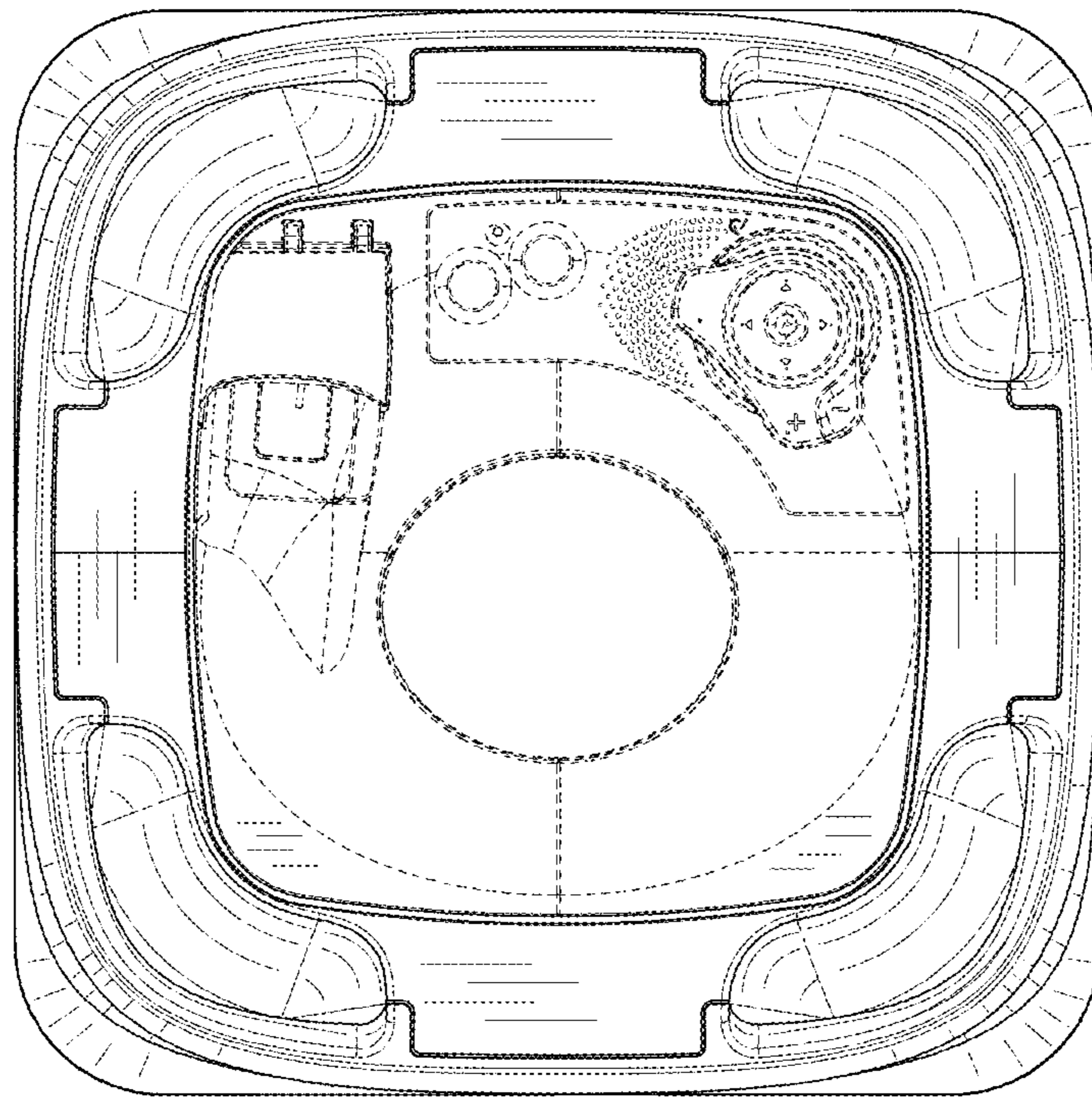


FIG. 7