



US00D873417S

(12) **United States Design Patent**  
**Scott**

(10) **Patent No.:** **US D873,417 S**

(45) **Date of Patent:** **\*\* Jan. 21, 2020**

(54) **SURGICAL ROBOT ARM**

(71) Applicant: **CMR SURGICAL LIMITED,**  
Cambridge (GB)

(72) Inventor: **Roy Scott,** Cambridge (GB)

(73) Assignee: **CMR Surgical Limited,** Cambridge  
(GB)

(\*\*) Term: **15 Years**

(21) Appl. No.: **29/627,992**

(22) Filed: **Nov. 30, 2017**

(30) **Foreign Application Priority Data**

May 30, 2017 (GB) ..... 6013079

(51) **LOC (12) Cl.** ..... **24-02**

(52) **U.S. Cl.**  
USPC ..... **D24/185**

(58) **Field of Classification Search**  
USPC ..... D24/185, 199; D21/578; D15/199;  
D13/168  
CPC ... A61B 34/71; B25J 9/08; B25J 9/041; B25J  
9/1689  
See application file for complete search history.

(56) **References Cited**

**U.S. PATENT DOCUMENTS**

3,951,271 A \* 4/1976 Mette ..... B25J 9/041  
414/591  
4,766,775 A \* 8/1988 Hodge ..... B25J 9/08  
74/490.01  
D763,336 S \* 8/2016 Ries ..... D15/199  
D825,066 S \* 8/2018 Liu ..... D24/199  
D840,360 S \* 2/2019 Scott ..... D13/168

10,206,752 B2 \* 2/2019 Hares ..... B25J 9/1689  
D846,127 S \* 4/2019 Yang ..... D24/185  
10,299,873 B2 \* 5/2019 Hares ..... A61B 34/71  
D852,285 S \* 6/2019 Qi ..... D21/578  
10,398,516 B2 \* 9/2019 Jackson

\* cited by examiner

*Primary Examiner* — Rhea Shields

(74) *Attorney, Agent, or Firm* — Mintz Levin Cohn Ferris  
Glovsky and Popeo, P.C.

(57) **CLAIM**

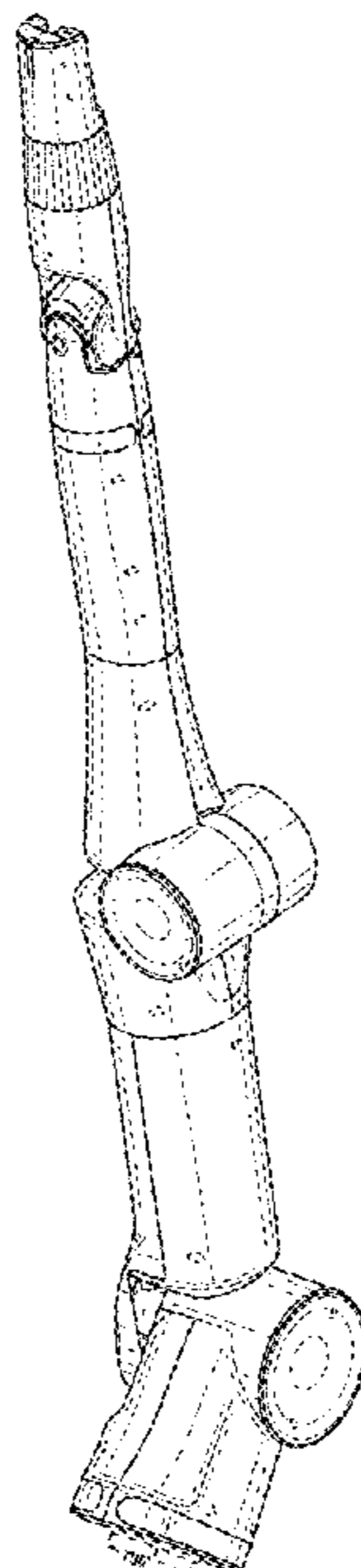
The ornamental design for a surgical robot arm, as shown  
and described.

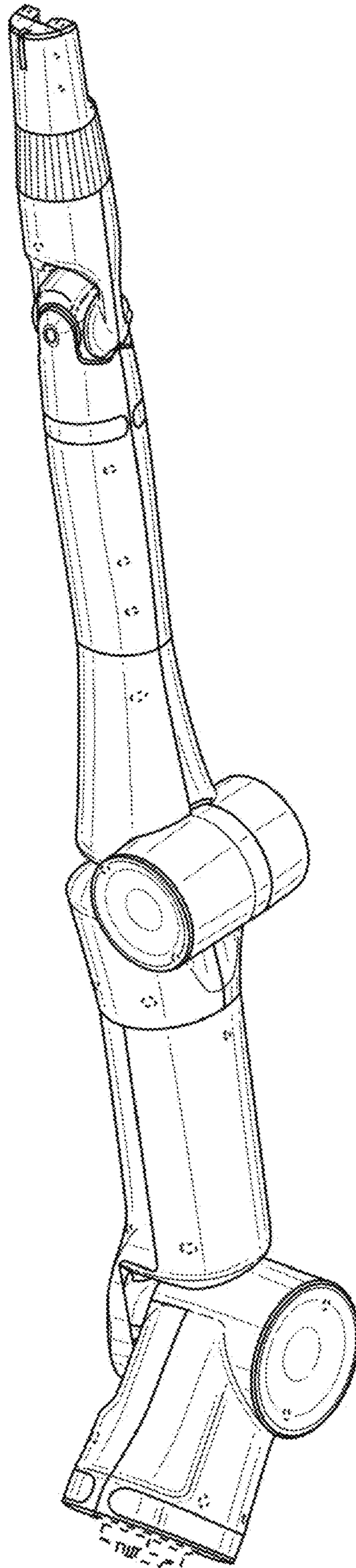
**DESCRIPTION**

FIG. 1 is a top, right-side, front perspective view of a  
surgical robot arm;  
FIG. 2 is a front elevation view of the surgical robot arm of  
FIG. 1;  
FIG. 3 is a back elevation view of the surgical robot arm of  
FIG. 1;  
FIG. 4 is a left-side elevation view of the surgical robot arm  
of FIG. 1;  
FIG. 5 is a right-side elevation view of the surgical robot arm  
of FIG. 1;  
FIG. 6 is a top plan view of the surgical robot arm of FIG.  
1; and,  
FIG. 7 is a bottom plan view of the surgical robot arm of  
FIG. 1.

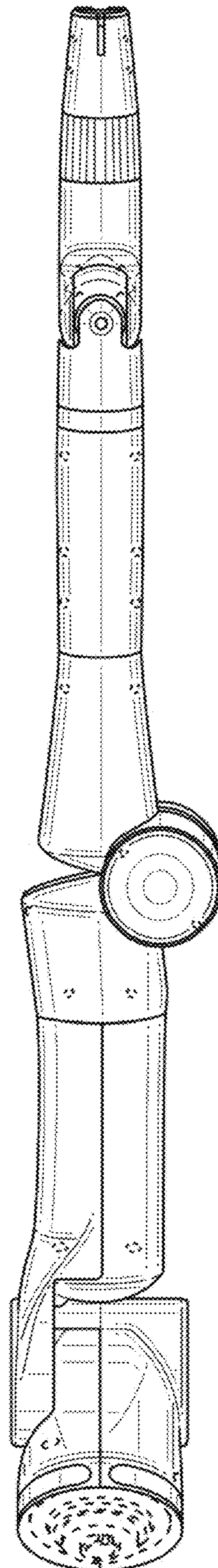
In the drawings, the broken lines are for the purpose of  
illustrating environment only and form no part of the  
claimed design.

**1 Claim, 7 Drawing Sheets**

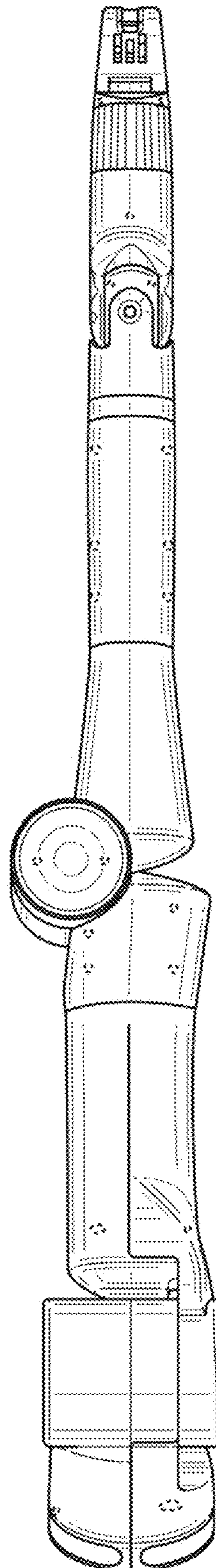




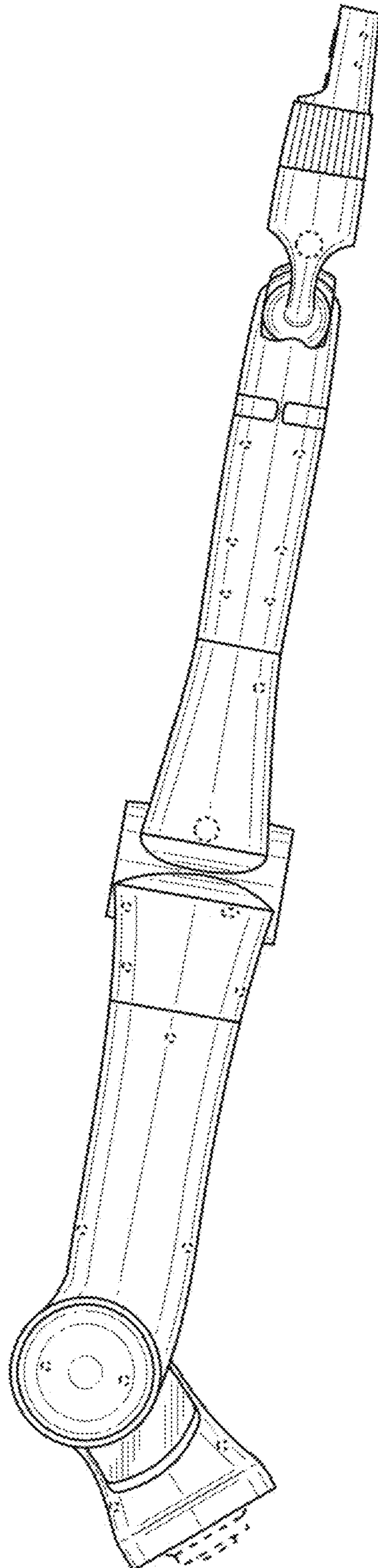
**FIG. 1**



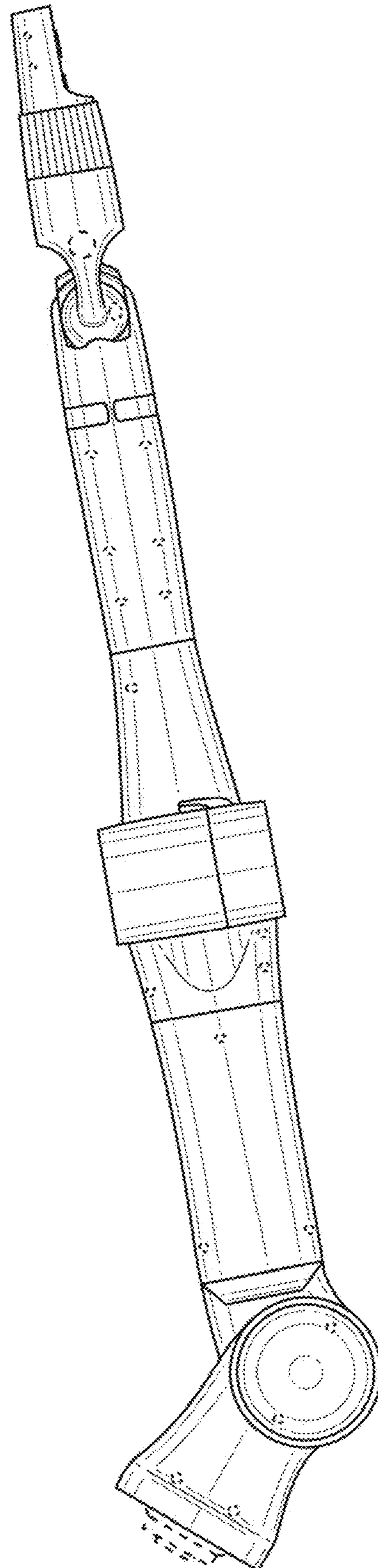
**FIG. 2**



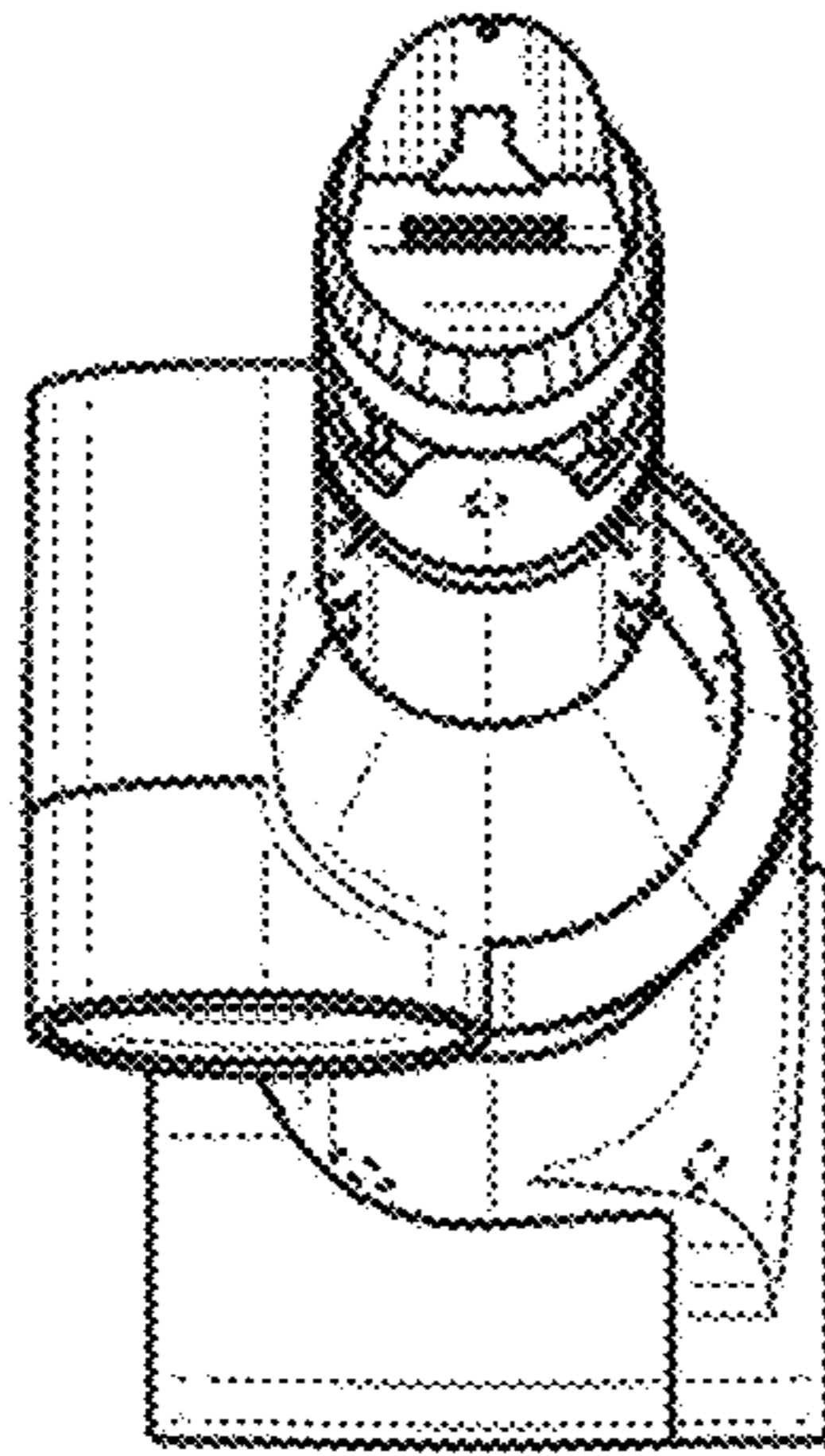
**FIG. 3**



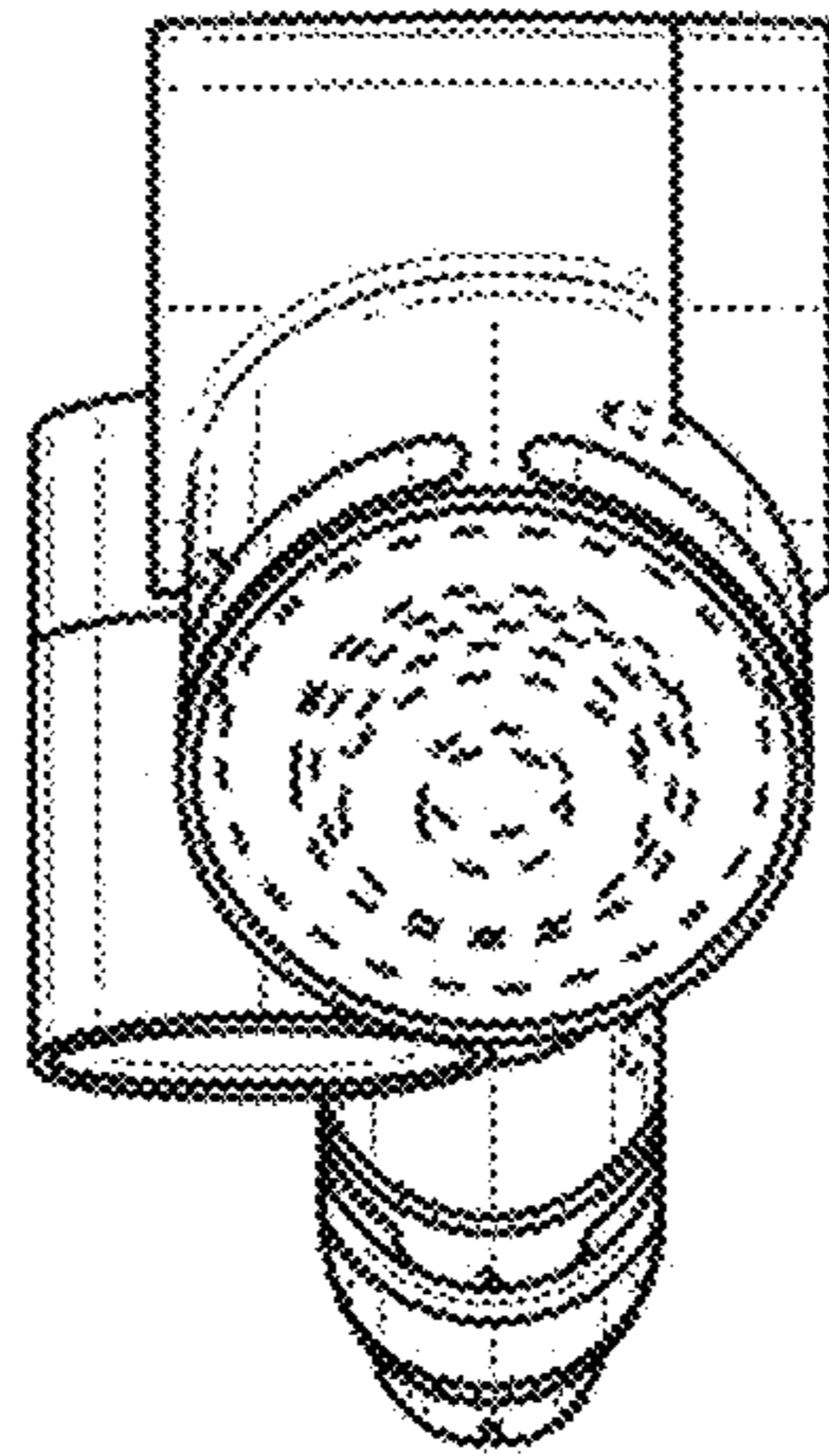
**FIG. 4**



**FIG. 5**



**FIG. 6**



**FIG. 7**