



US00D873416S

(12) **United States Design Patent**  
**Köppel et al.**

(10) **Patent No.:** **US D873,416 S**  
(45) **Date of Patent:** **\*\* Jan. 21, 2020**

(54) **PEDAL FOR OPHTHALMOLOGIC APPARATUS**

D761,675 S \* 7/2016 Thaveeprungsriporn ..... D10/38  
D766,841 S \* 9/2016 Alvarez ..... D13/167  
2014/0135785 A1\* 5/2014 Tran ..... H01H 21/26  
606/107

(71) Applicant: **THIS AG**, Heerbrugg (CH)

(72) Inventors: **Thomas Köppel**, Widnau (CH); **Marco Zünd**, Widnau (CH); **Marco Cafadér**, Bruges (CH); **Hanspeter Kersten**, Bruges (CH); **Raimund Erdmann**, Bruges (CH)

(73) Assignee: **THIS AG**, Heerbrugg (CH)

(\*\*) Term: **15 Years**

(21) Appl. No.: **29/600,184**

(22) Filed: **Apr. 10, 2017**

(51) **LOC (12) Cl.** ..... **24-01**

(52) **U.S. Cl.**  
USPC ..... **D24/172**

(58) **Field of Classification Search**  
USPC ..... D24/144, 107, 127, 167, 169–170, 172, D24/179, 185; D13/167  
CPC ..... A61B 2017/00973; A61C 1/0023; H01H 3/14; H01H 13/16; H01H 21/26  
See application file for complete search history.

(56) **References Cited**

U.S. PATENT DOCUMENTS

D586,919 S \* 2/2009 Nielsen ..... D13/167  
D599,746 S \* 9/2009 Long ..... D13/167  
D609,801 S \* 2/2010 Egorov ..... D24/107  
D623,209 S \* 9/2010 Matuschek ..... D13/167  
D669,441 S \* 10/2012 Naef ..... D13/167  
D708,593 S \* 7/2014 Lynn ..... D13/179  
D713,529 S \* 9/2014 Li ..... D13/167  
D715,924 S \* 10/2014 Green ..... D24/127  
D727,498 S \* 4/2015 Creed ..... D13/167  
D751,706 S \* 3/2016 Chambers ..... D13/167

FOREIGN PATENT DOCUMENTS

CN 304614414 \* 5/2018

\* cited by examiner

*Primary Examiner* — Barbara Fox

*Assistant Examiner* — Mary Shannon Malley

(74) *Attorney, Agent, or Firm* — Nutter McClennen & Fish LLP

(57) **CLAIM**

The ornamental design for a pedal for ophthalmologic apparatus, as shown and described.

**DESCRIPTION**

This application is related to U.S. design application Ser. No. 29/600,172 entitled “Ophthalmologic Apparatus”.

This application is related to U.S. design application Ser. No. 29/600,176 entitled “Cassette for Ophthalmologic Apparatus”.

The contents of these related applications are incorporated herein by reference in their respective entireties.

FIG. 1 is a right-front perspective view of a pedal for ophthalmologic apparatus in accordance with the present invention.

FIG. 2 is a left-rear perspective view thereof.

FIG. 3 is a right elevation view thereof.

FIG. 4 is a front elevation view thereof.

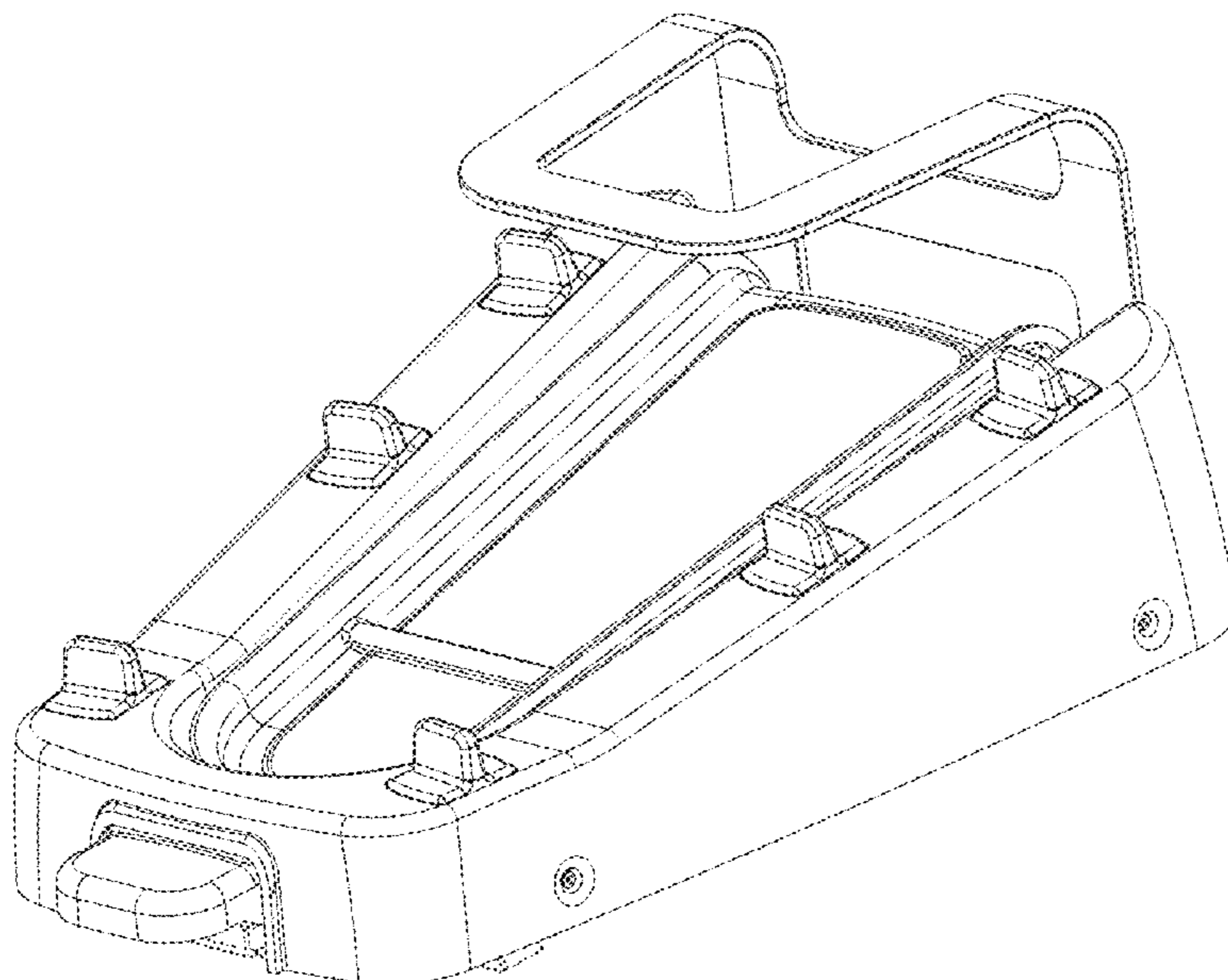
FIG. 5 is a left elevation view thereof.

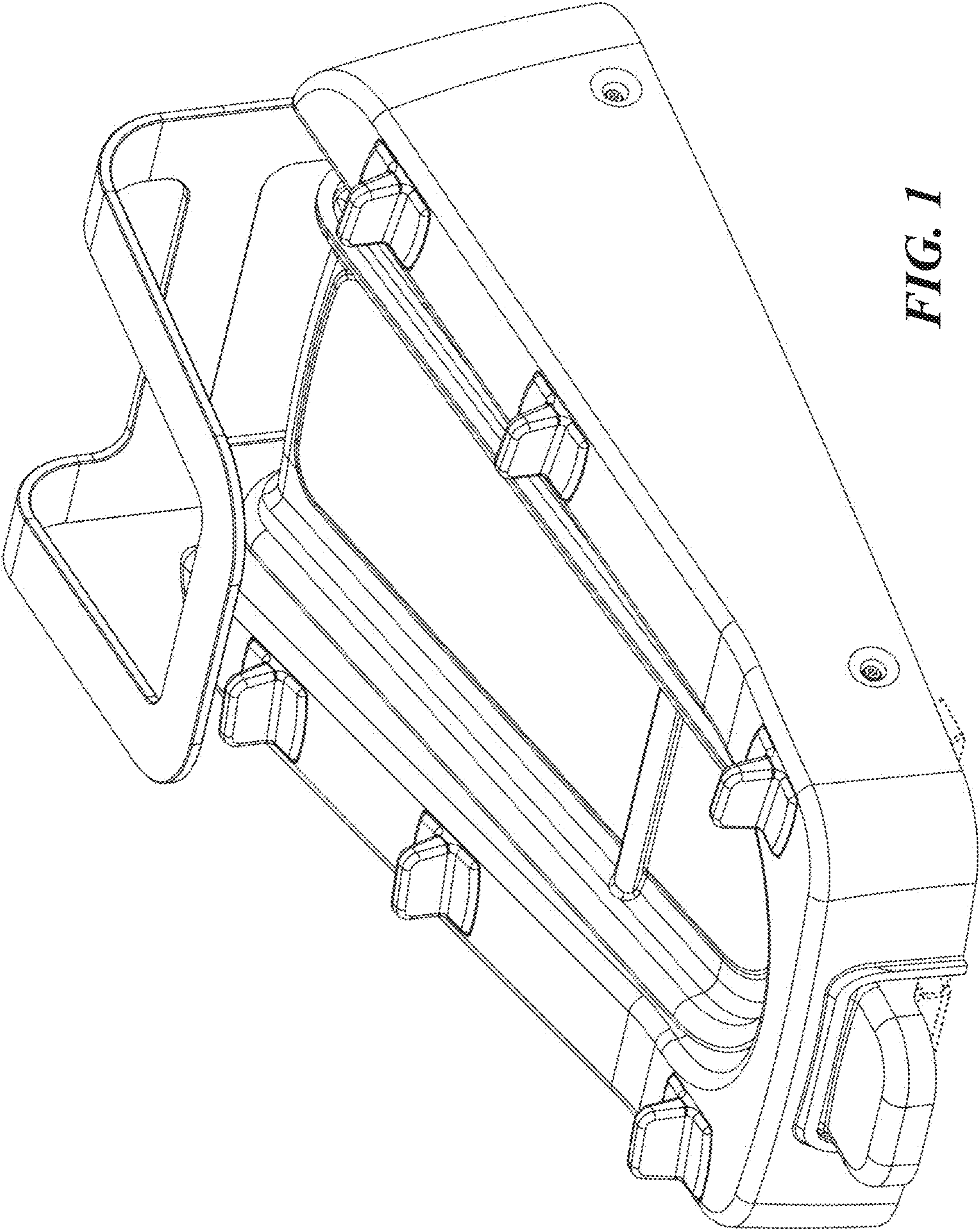
FIG. 6 is a back elevation view thereof; and,

FIG. 7 is a top view thereof.

The broken lines depict portions of the pedal for ophthalmologic apparatus that form no part of the claimed design.

**1 Claim, 7 Drawing Sheets**





**FIG. 1**

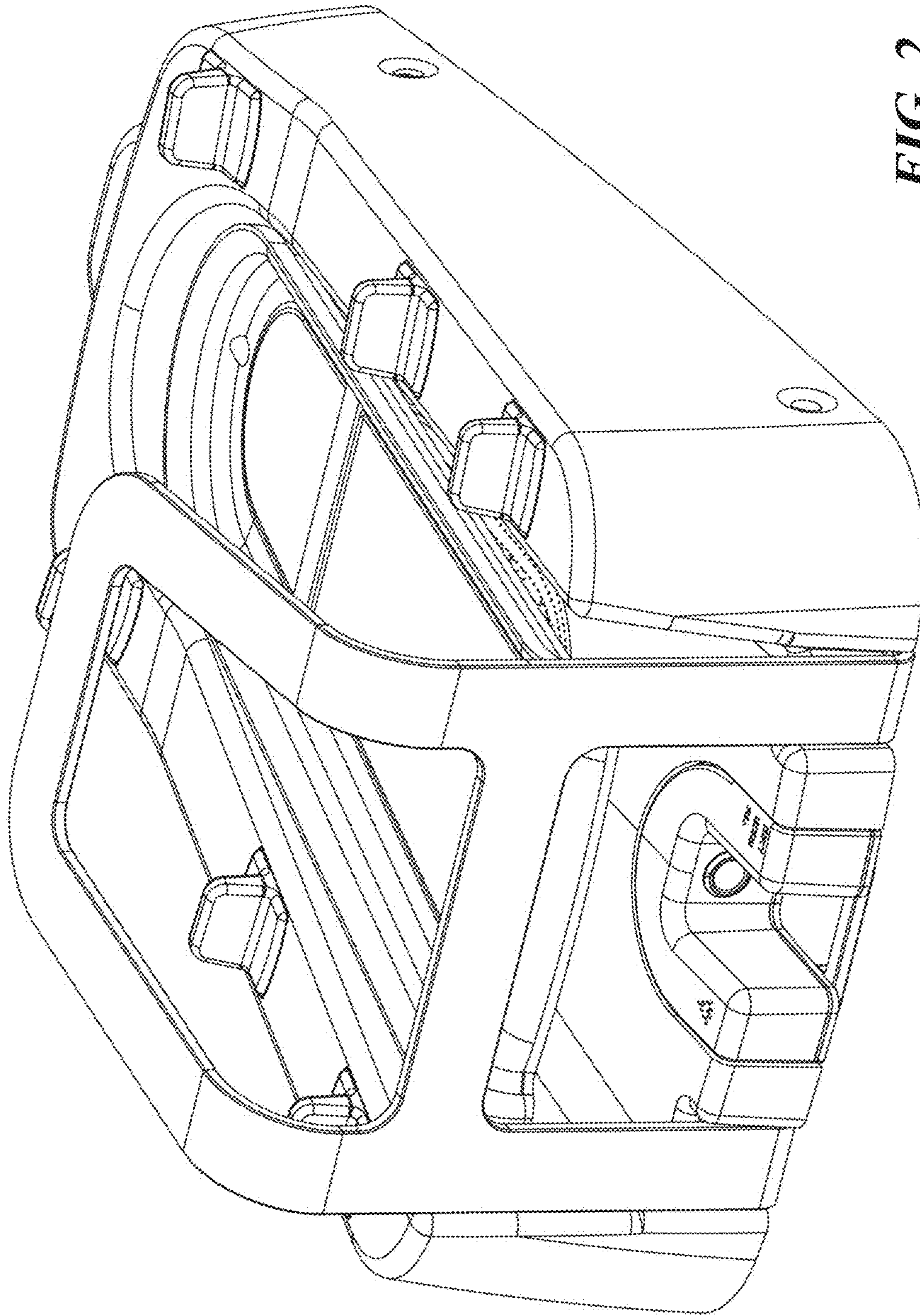
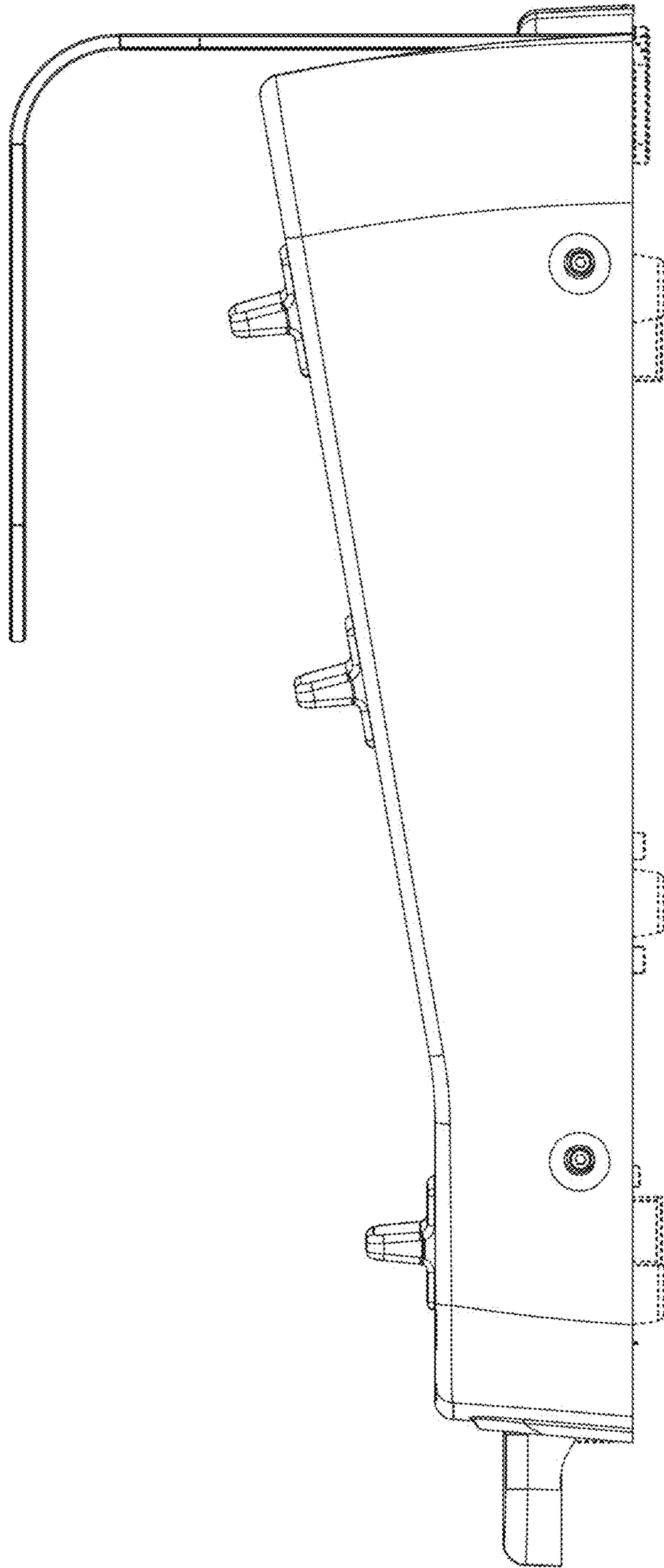
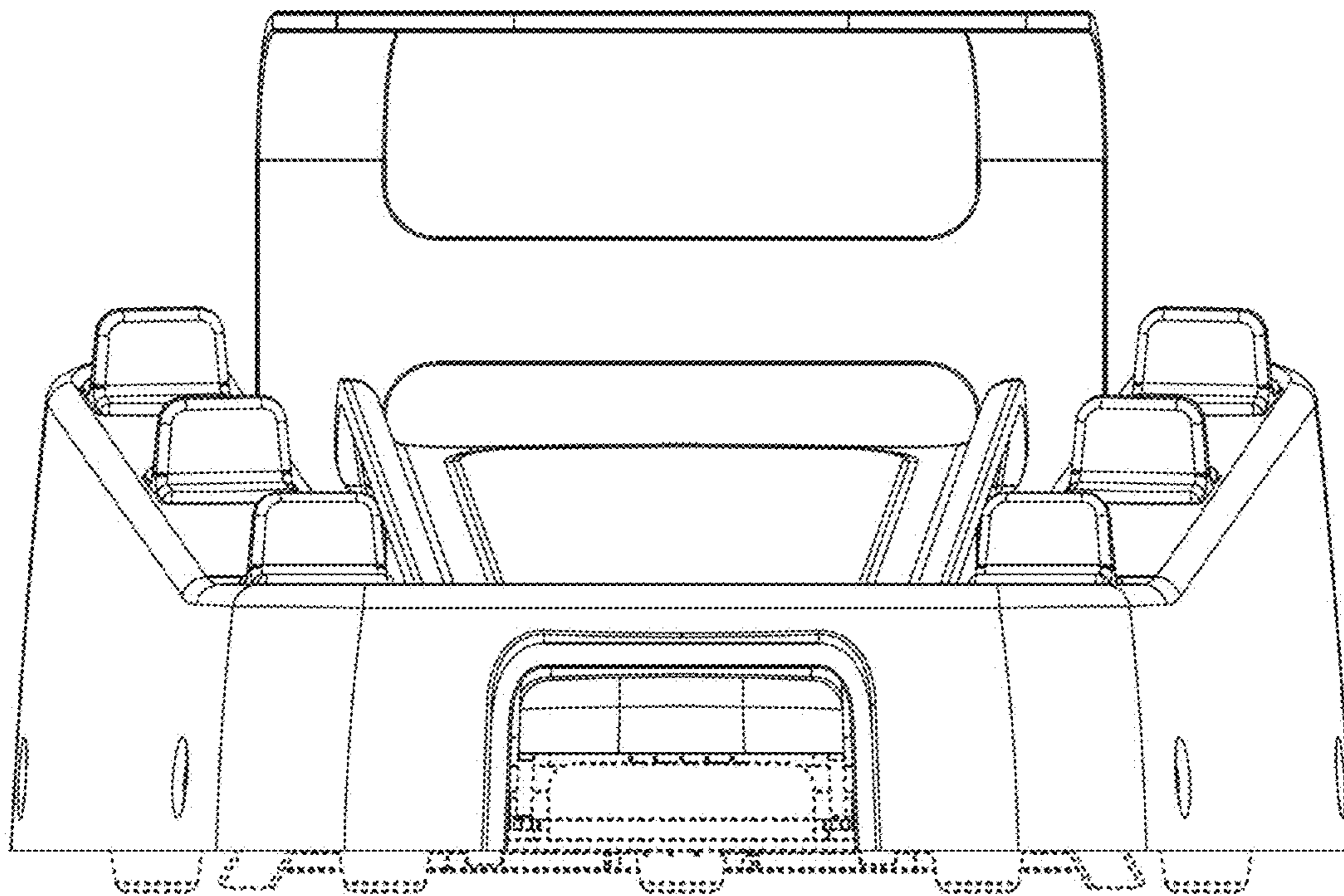


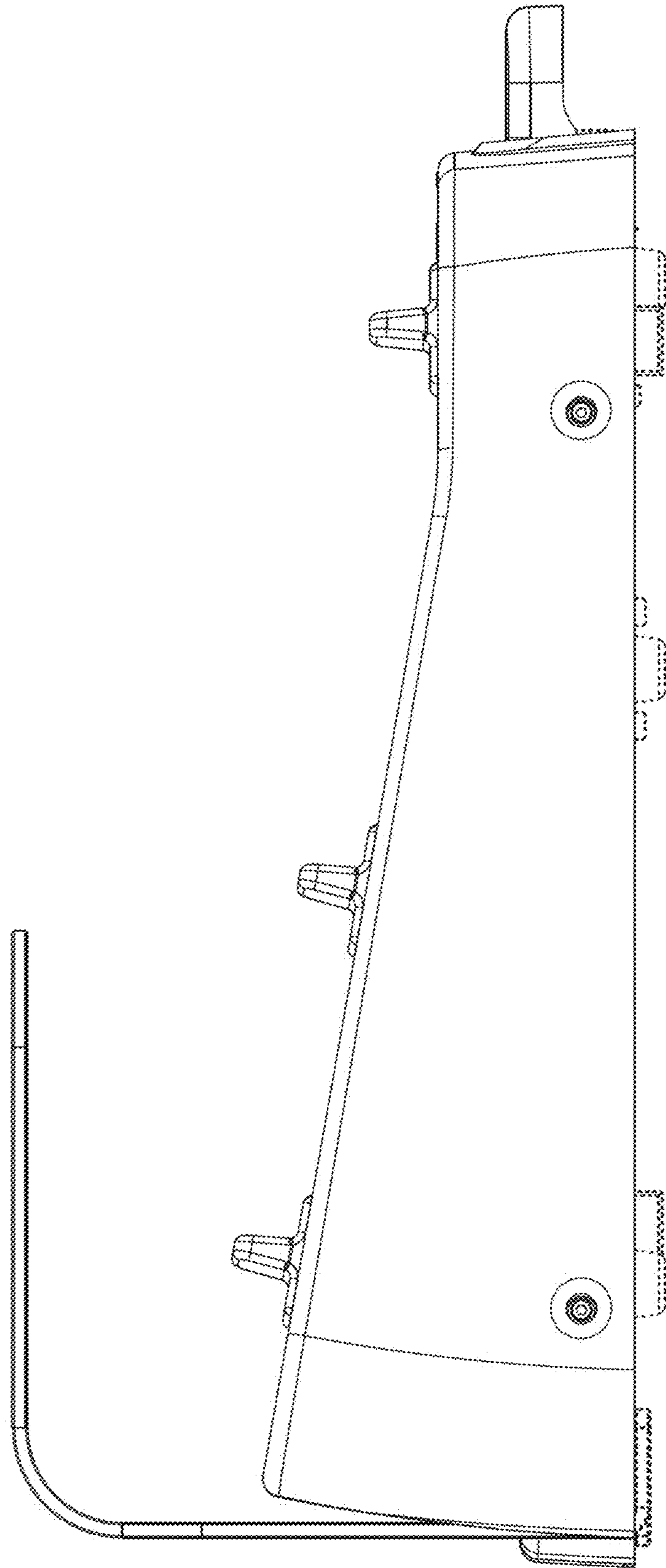
FIG. 2



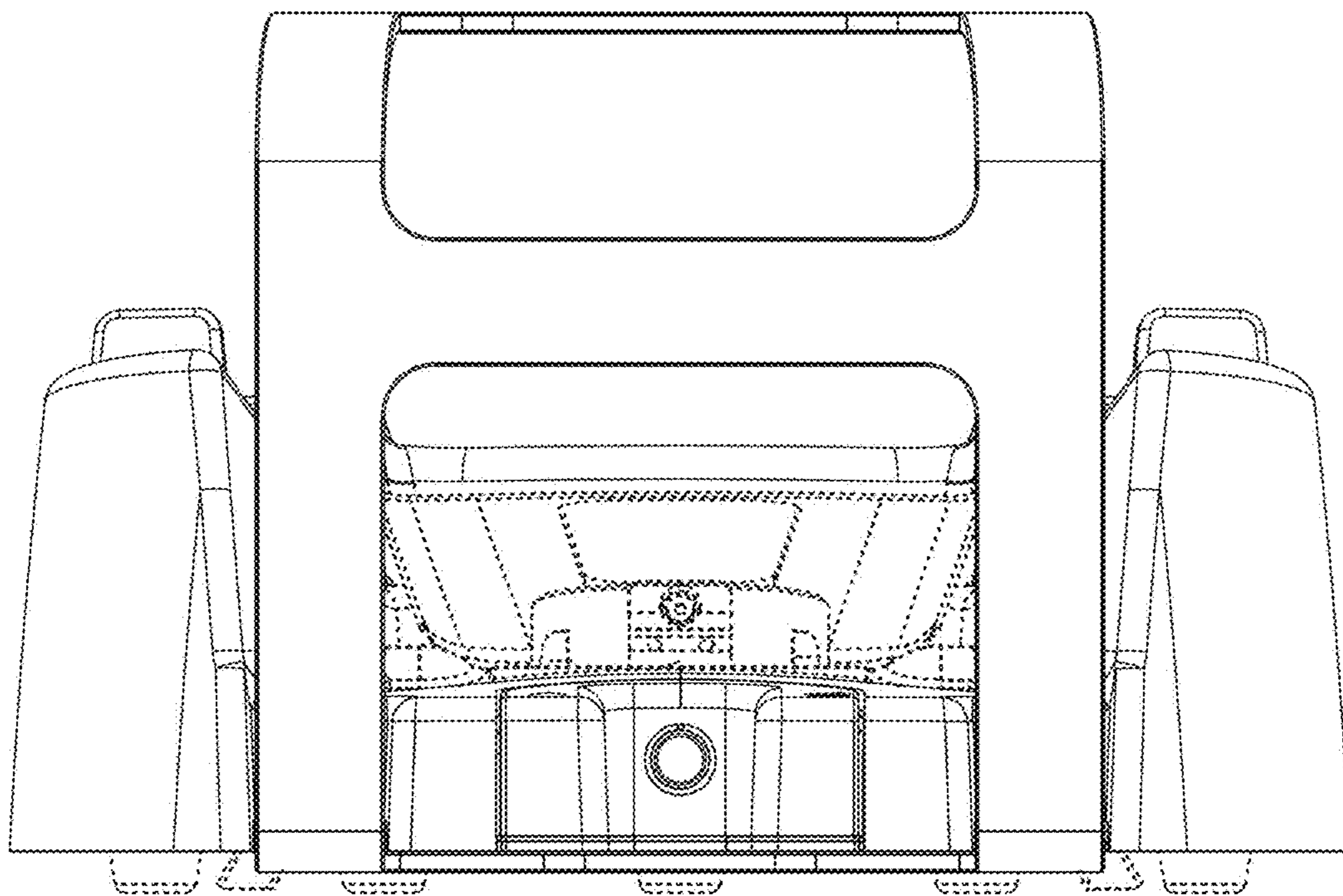
**FIG. 3**



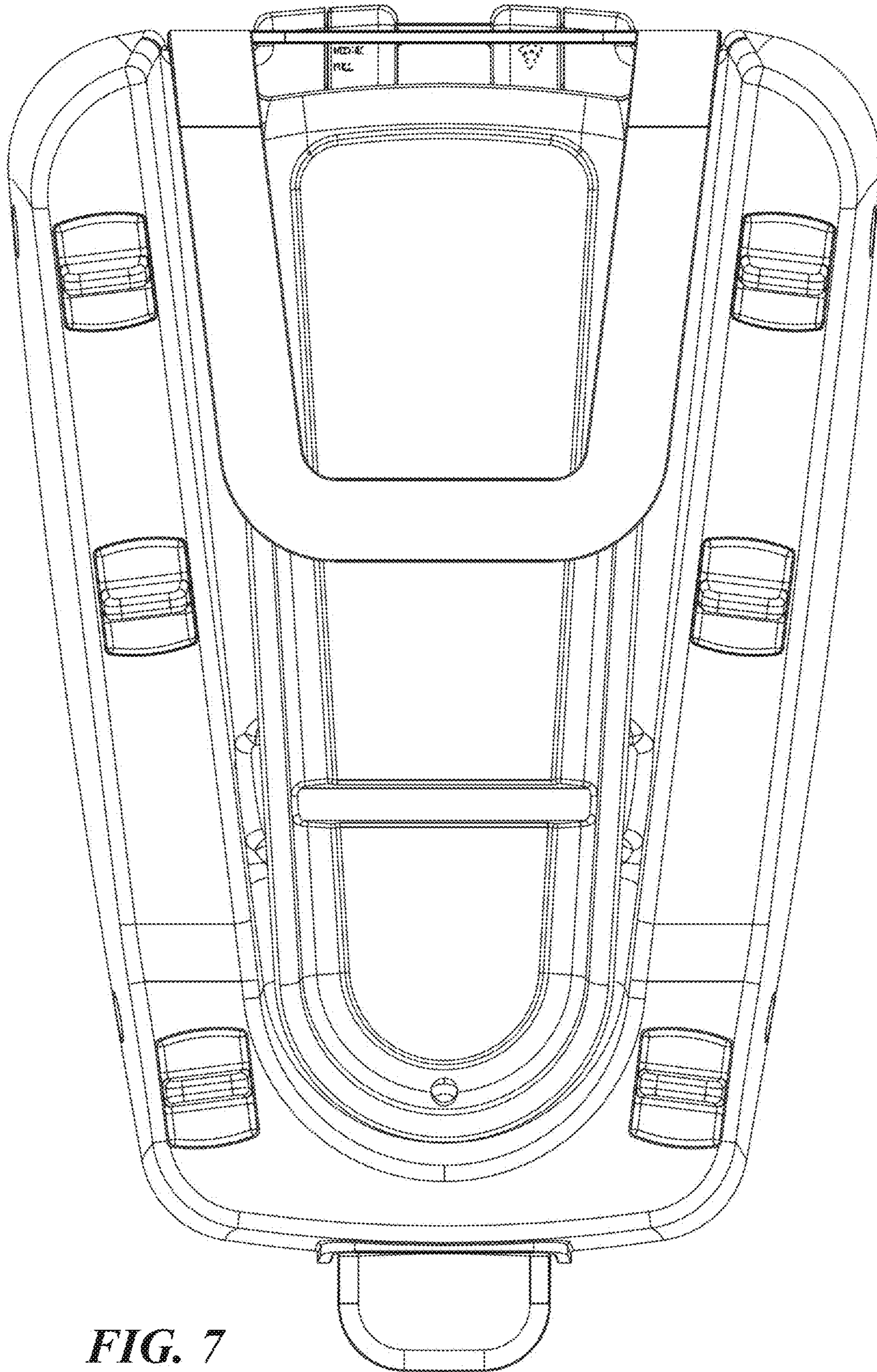
**FIG. 4**



**FIG. 5**



**FIG. 6**



**FIG. 7**