



US00D873414S

(12) **United States Design Patent**
Binder

(10) **Patent No.:** **US D873,414 S**

(45) **Date of Patent:** **** Jan. 21, 2020**

(54) **LABORATORY CABINET**

(71) Applicant: **BINDER GMBH**, Tuttlingen (DE)

(72) Inventor: **Peter Binder**, Altnau (CH)

(**) Term: **15 Years**

(21) Appl. No.: **35/506,048**

(22) Filed: **Oct. 12, 2018**

(80) **Hague Agreement Data**

Int. Filing Date: **Jun. 8, 2018**

Int. Reg. No.: **DM/103572**

Int. Reg. Date: **Oct. 12, 2018**

Int. Reg. Pub. Date: **Nov. 16, 2018**

(51) **LOC (12) Cl.** **24-01**

(52) **U.S. Cl.**
USPC **D24/163; D24/217; D24/232**

(58) **Field of Classification Search**
USPC **D24/163, 216, 217, 232, 234; D15/79**
CPC **B01L 1/025**
See application file for complete search history.

(56) **References Cited**

U.S. PATENT DOCUMENTS

D269,544 S *	6/1983	Jarmell	D10/81
D319,102 S *	8/1991	Futatsuka	D24/163
D319,309 S *	8/1991	Taylor	D24/217
D354,064 S *	1/1995	Sims	D15/81
D387,164 S *	12/1997	Barnett	D24/163
D404,488 S *	1/1999	Raimann	D24/163
D463,297 S *	9/2002	Okamoto	D10/52
D587,144 S *	2/2009	Okamoto	D10/50
D596,962 S *	7/2009	Okamoto	D10/50
D618,257 S *	6/2010	Hanamure	D15/79
D632,800 S *	2/2011	Nanni	D24/217
D652,930 S *	1/2012	Okamoto	D24/163
D703,343 S *	4/2014	Biswas	D24/217
D739,023 S *	9/2015	Mochizuki	D24/163
D739,024 S *	9/2015	Mochizuki	D24/163

D768,313 S *	10/2016	Kagawa	D24/217
D797,581 S *	9/2017	Tinius	D10/64
D798,169 S *	9/2017	Tinius	D10/64
D817,787 S *	5/2018	Tinius	D10/50
10,111,972 B2 *	10/2018	Mauzerall	A61L 2/26
D848,635 S *	5/2019	Davis	D24/217
2018/0311659 A1 *	11/2018	Efinger	B01L 1/025
2018/0318823 A1 *	11/2018	Baumgaertner	E05C 7/02

OTHER PUBLICATIONS

Binder Data Sheet Model BD-S 115, "Model BD-S 115 Standard Incubators with natural convection", dated Aug. 9, 2019 (Year: 2019).*

* cited by examiner

Primary Examiner — Deanna L Pratt

(57) **CLAIM**

The ornamental design for a laboratory cabinet, as shown.

DESCRIPTION

The patent or application file contains at least one drawing executed in color. Copies of this patent or patent application publication with color drawing(s) will be provided by the Office upon request and payment of the necessary fee.

1.-6. Laboratory cabinet

1.1: Perspective

1.2: Perspective

2.1: Perspective

2.2: Perspective

3.1: Perspective

3.2: Perspective

4.1: Perspective

4.2: Perspective

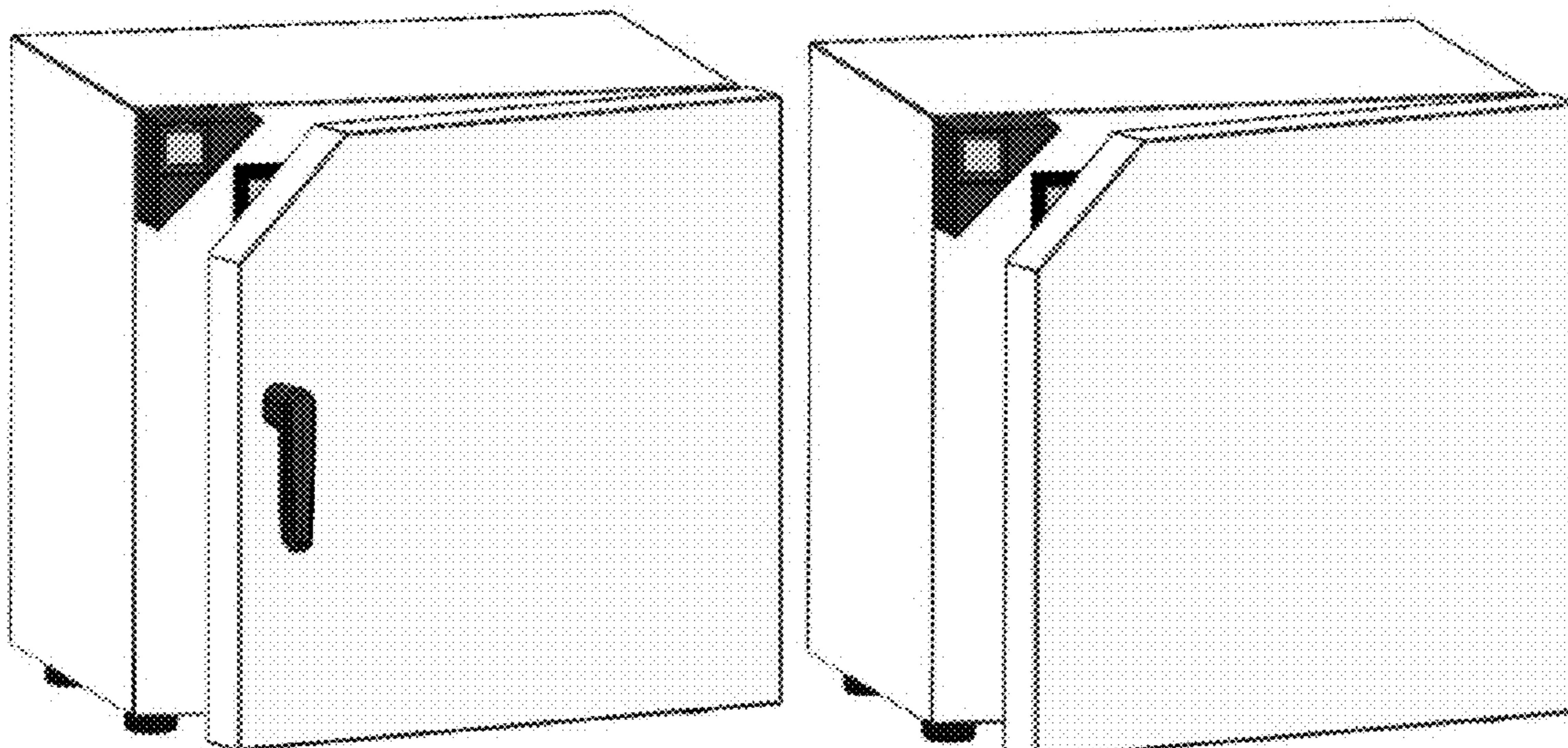
5.1: Perspective

5.2: Perspective

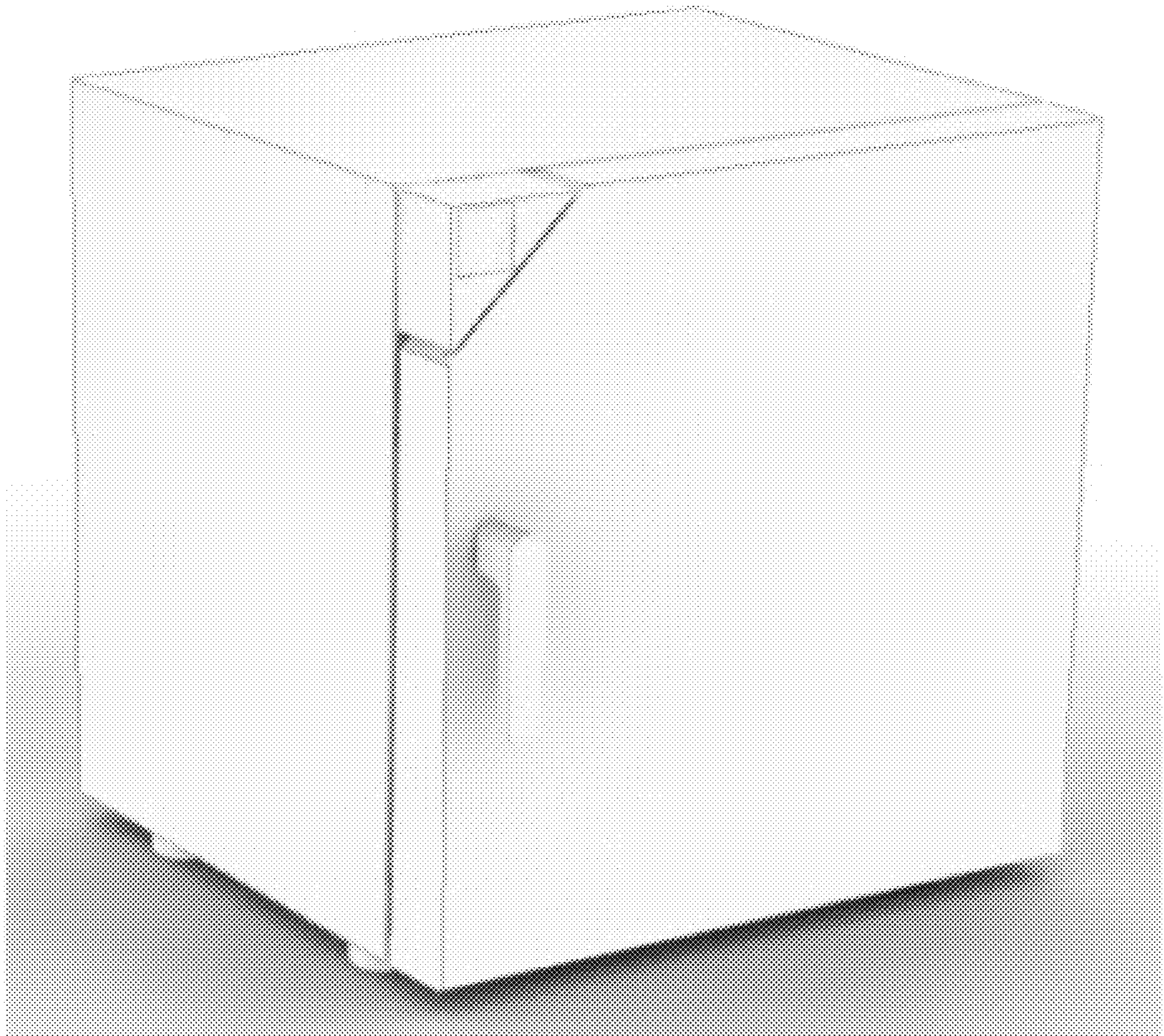
6.1: Perspective

6.2: Perspective

1 Claim, 12 Drawing Sheets
(12 of 12 Drawing Sheet(s) Filed in Color)



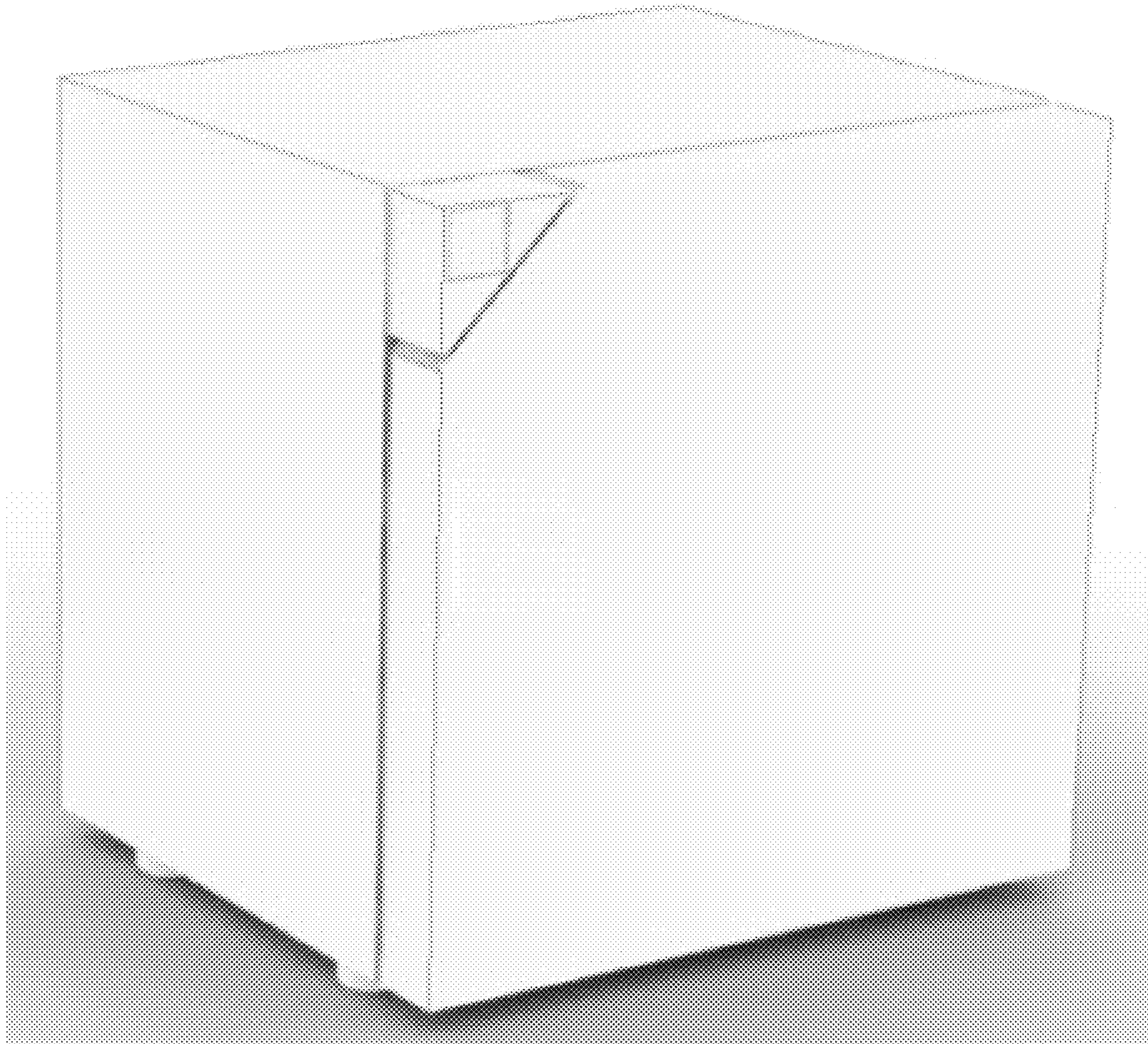
1.1



1.2



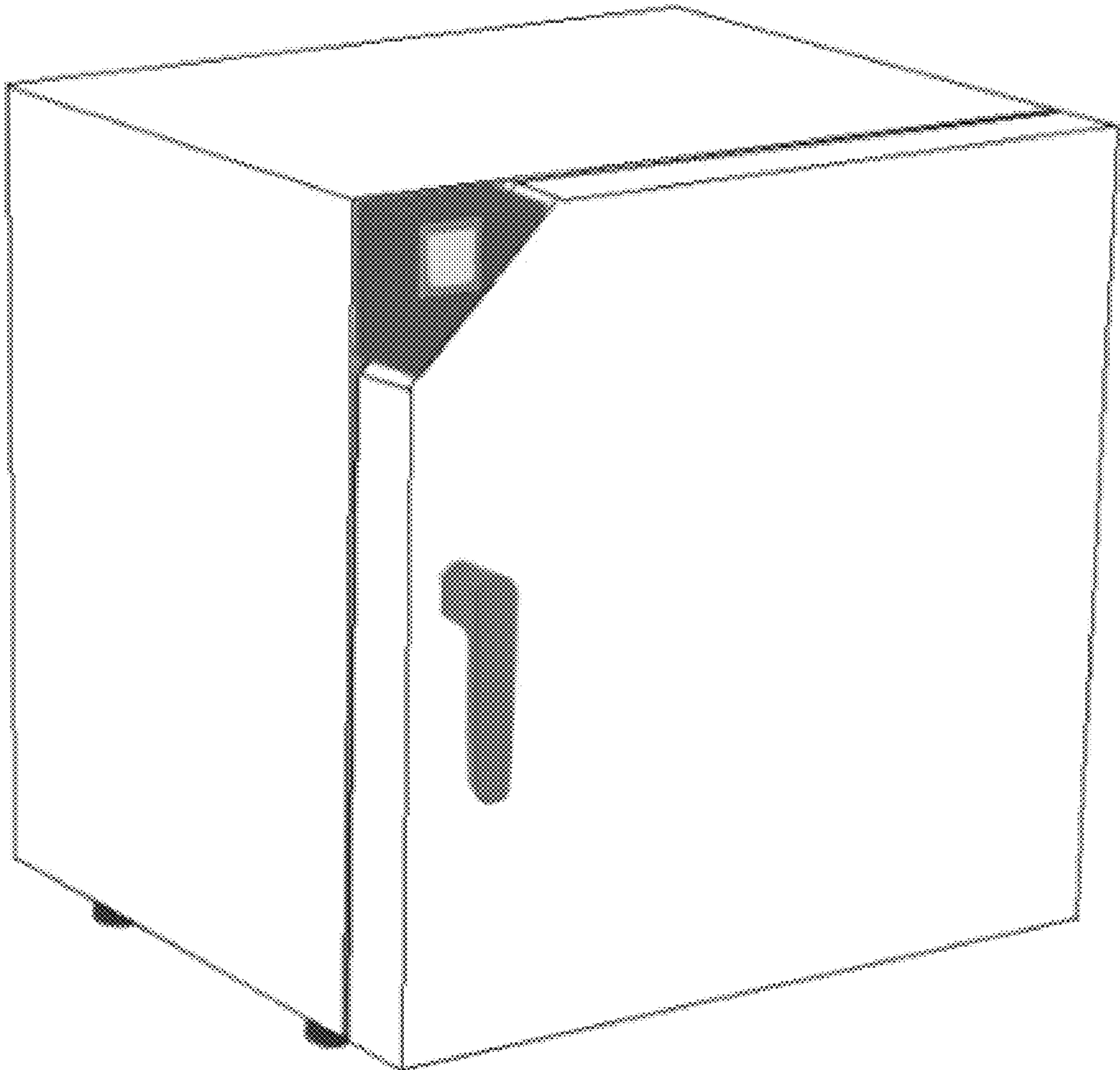
2.1



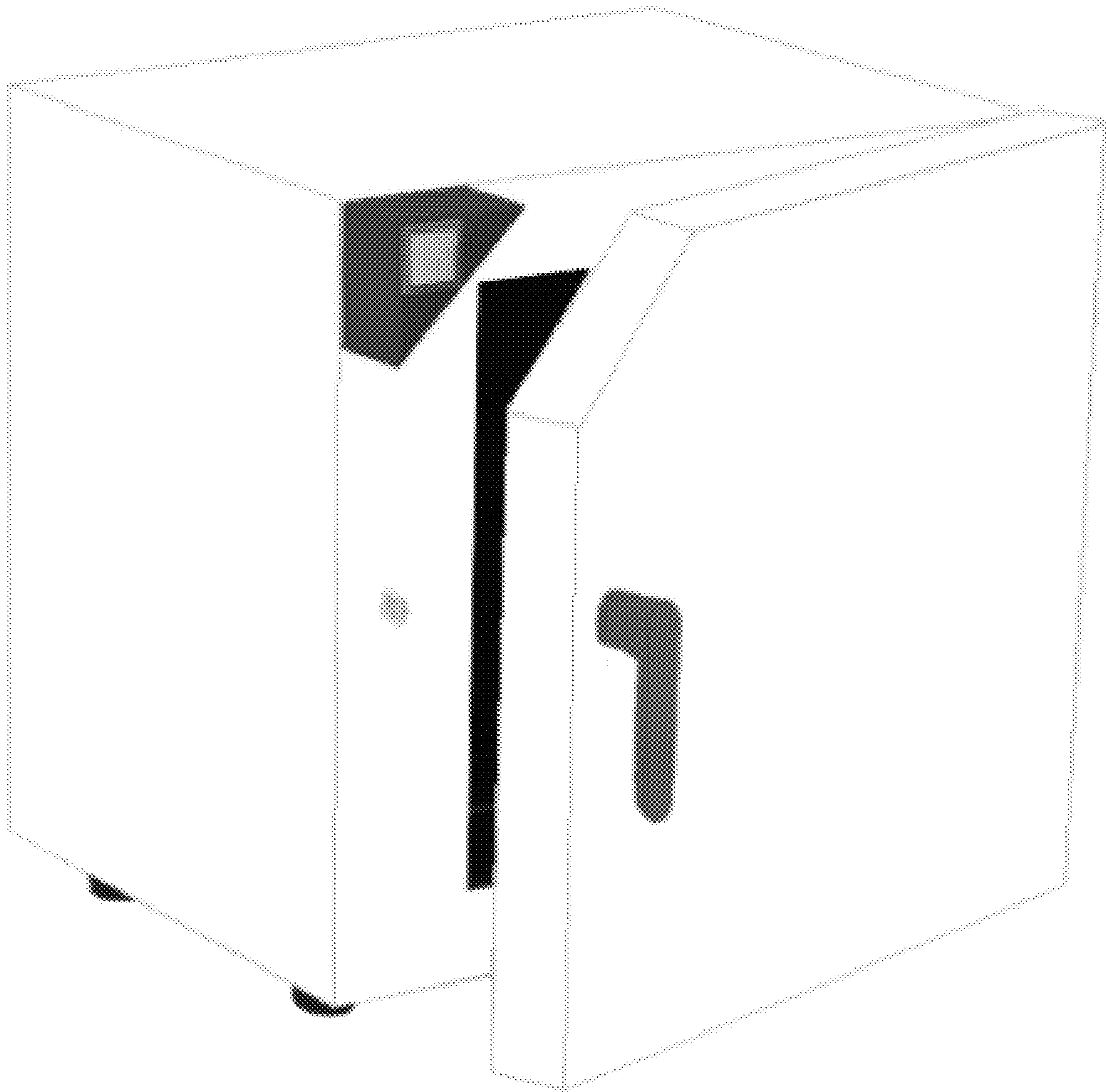
2.2



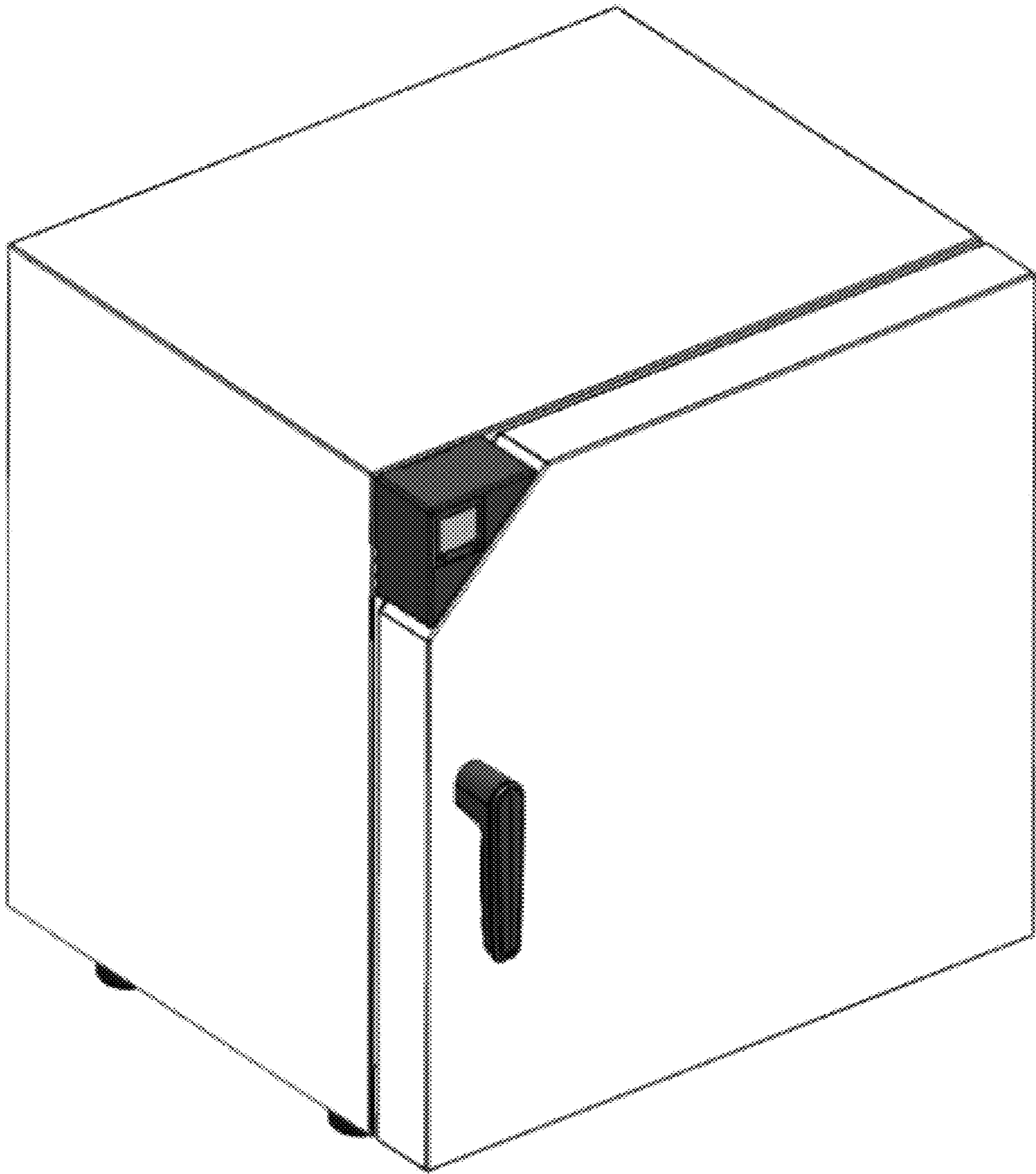
3.1



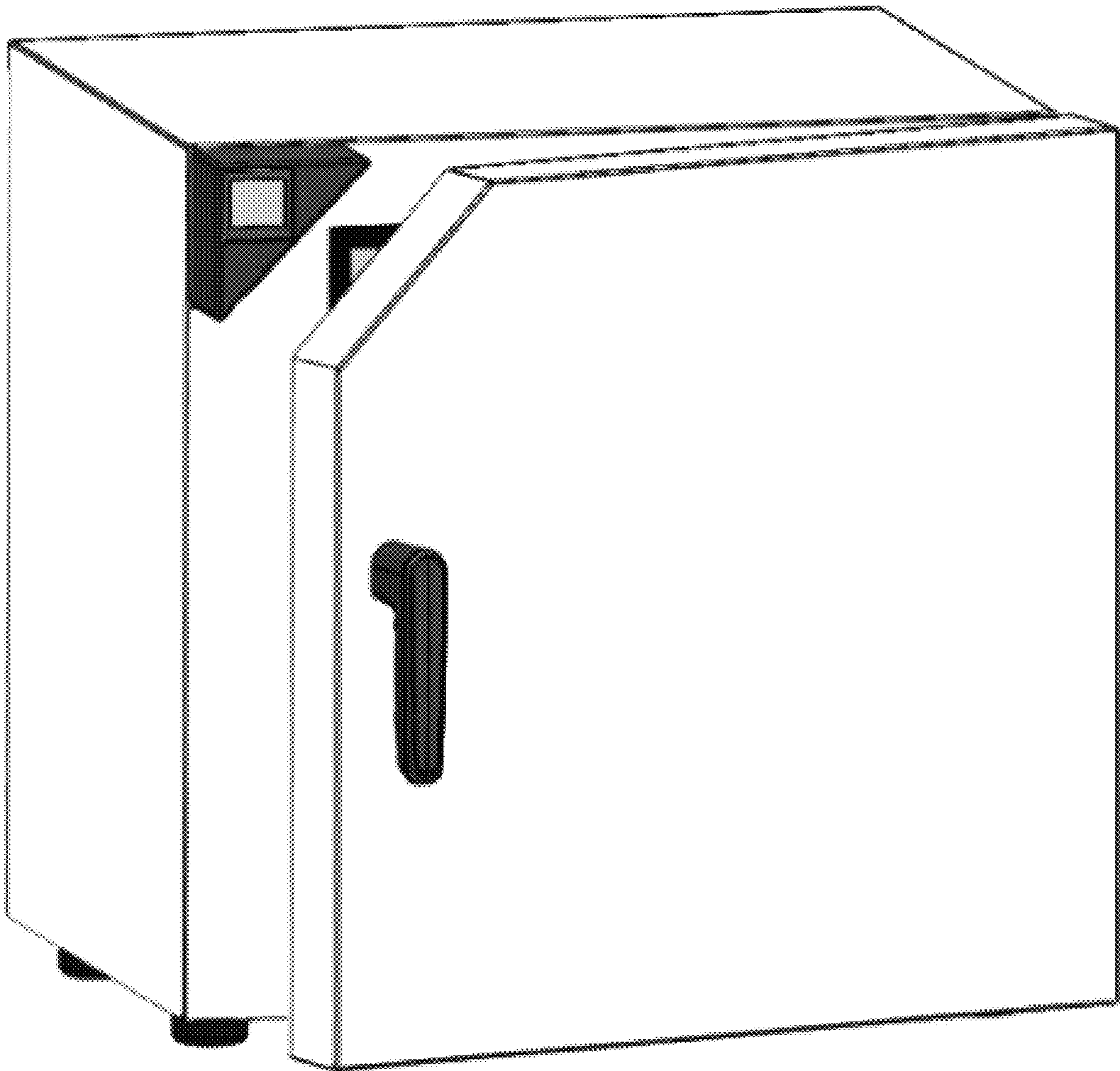
3.2



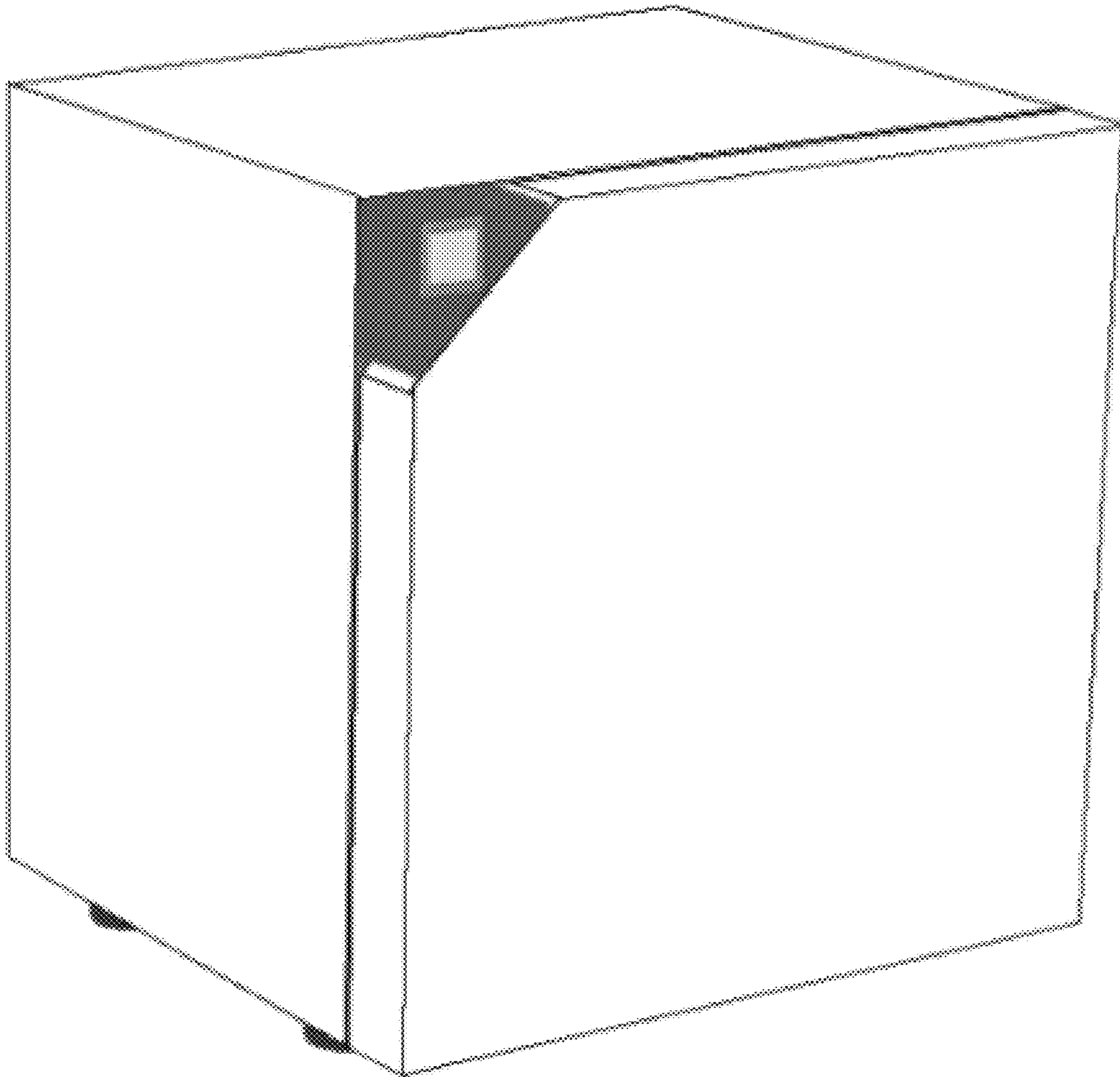
4.1



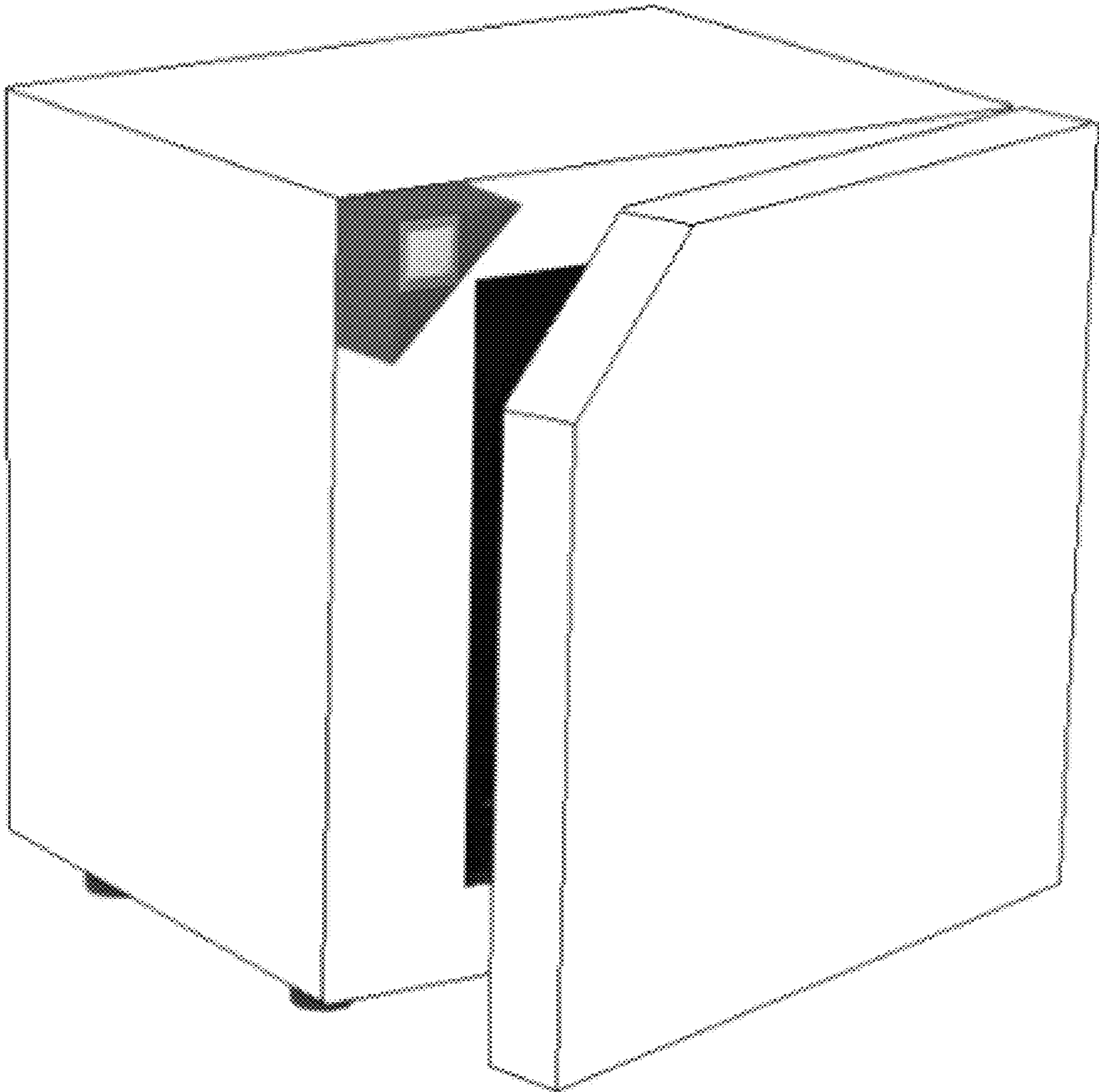
4.2



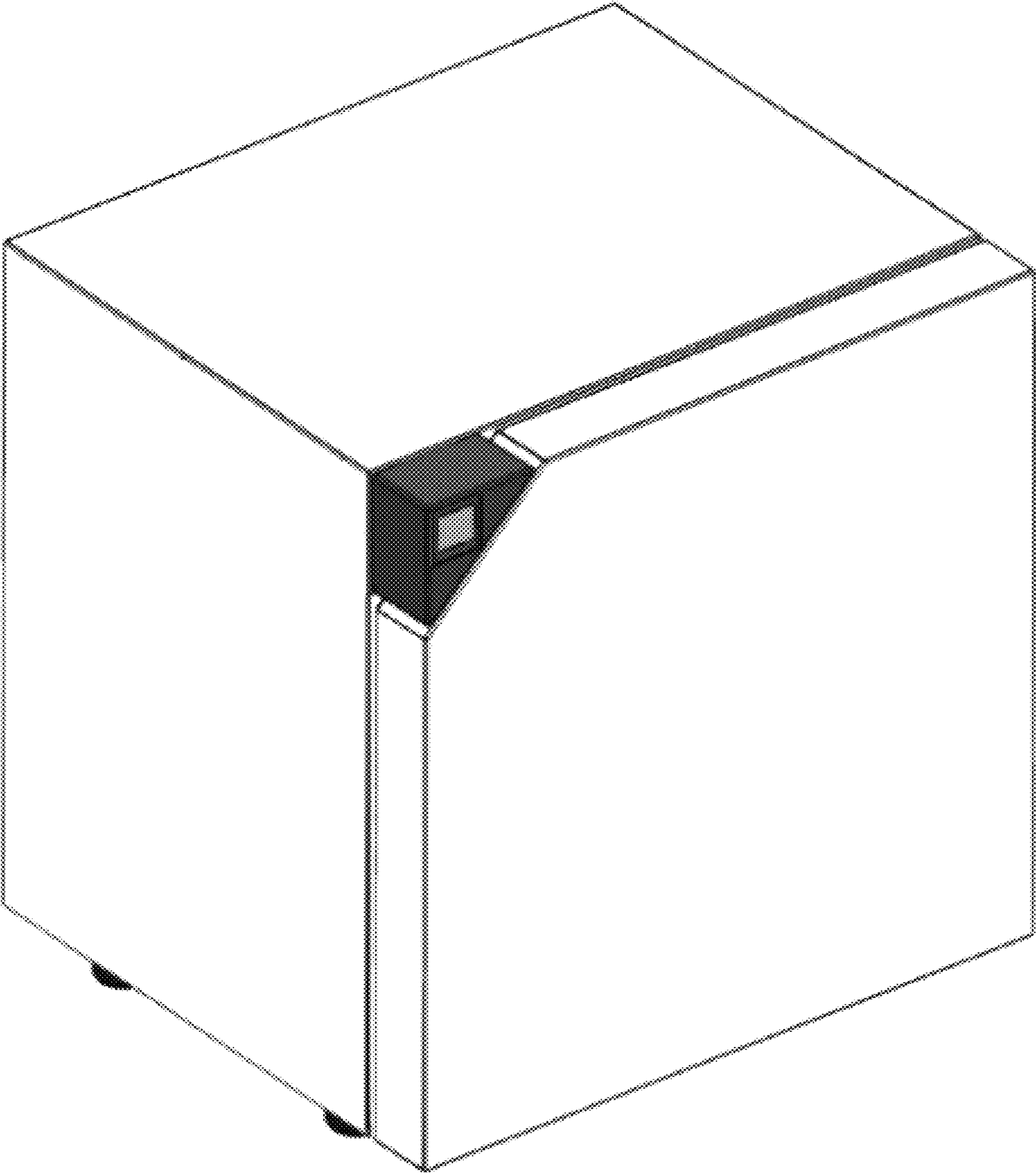
5.1



5.2



6.1



6.2

