



US00D873413S

(12) **United States Design Patent**
Ohno

(10) **Patent No.:** **US D873,413 S**
(45) **Date of Patent:** **** Jan. 21, 2020**

(54) **OPERATING GRIP FOR ENDOSCOPE**

(71) Applicant: **FUJIFILM Corporation**, Tokyo (JP)

(72) Inventor: **Hirotohi Ohno**, Ashigarakami-gun (JP)

(73) Assignee: **FUJIFILM Corporation**, Tokyo (JP)

(**) Term: **15 Years**

(21) Appl. No.: **29/642,263**

(22) Filed: **Mar. 28, 2018**

(30) **Foreign Application Priority Data**

Sep. 29, 2017 (JP) 2017-021502

(51) **LOC (12) Cl.** **24-02**

(52) **U.S. Cl.**
USPC **D24/127**

(58) **Field of Classification Search**

USPC D24/127-131, 112-114, 133, 186;
606/181, 185; 604/264, 523-528, 272,
604/187, 158, 164.01-164.11, 181, 184,
604/227; 600/101, 139, 143;
128/200.24, 207.14, 207.15
CPC A61M 25/00; A61M 39/00; A61M 27/00;
A61M 25/0043; A61M 25/0067; A61M
25/0097; A61F 2/958

See application file for complete search history.

(56) **References Cited**

U.S. PATENT DOCUMENTS

8,062,272 B2 * 11/2011 Weston A61M 1/0088
604/313
8,092,414 B2 * 1/2012 Schnell A61M 1/3639
8,226,614 B2 * 7/2012 Turner A61K 9/0019
604/164.04
8,734,410 B2 * 5/2014 Hall A61M 1/0084
604/319

9,095,647 B2 * 8/2015 Lee A61M 1/08
D754,861 S * 4/2016 O'Driscoll D16/101
D776,285 S * 1/2017 Dinger D24/186
D784,525 S * 4/2017 Nguyen D24/127
D810,952 S * 2/2018 Hsu D24/200
D815,256 S * 4/2018 Norman D23/259
D819,203 S * 5/2018 Grunhut D24/130
D824,034 S * 7/2018 Pushpala D24/186
D829,896 S * 10/2018 Py D24/129

* cited by examiner

Primary Examiner — David G Muller

(74) *Attorney, Agent, or Firm* — Birch, Stewart, Kolasch & Birch, LLP

(57) **CLAIM**

The ornamental design for an operating grip for endoscope, as shown and described.

DESCRIPTION

FIG. 1 is a top, front and left side perspective view of an operating grip for endoscope showing my new design; FIG. 2 is a top, front and right side perspective view thereof; FIG. 3 is a bottom, front and left side perspective view thereof; FIG. 4 is a front elevational view thereof; FIG. 5 is a rear elevational view thereof; FIG. 6 is a top plan view thereof; FIG. 7 is a bottom plan view thereof; FIG. 8 is a left side elevational view thereof; and FIG. 9 is a right side elevational view thereof. FIG. 10 is a cross-sectional view thereof taken along line 10-10 of FIG. 4 and a portion defined by an arrow A and an arrow B of FIG. 9, in which an internal structure thereof is not shown; and, FIG. 11 is a top, front and right side enlarged perspective view thereof in a state where the lever is removed. The broken lines showing the portions of the operating grip for endoscope in all views shown represent unclaimed subject matter and form no part of the claimed design.

1 Claim, 11 Drawing Sheets

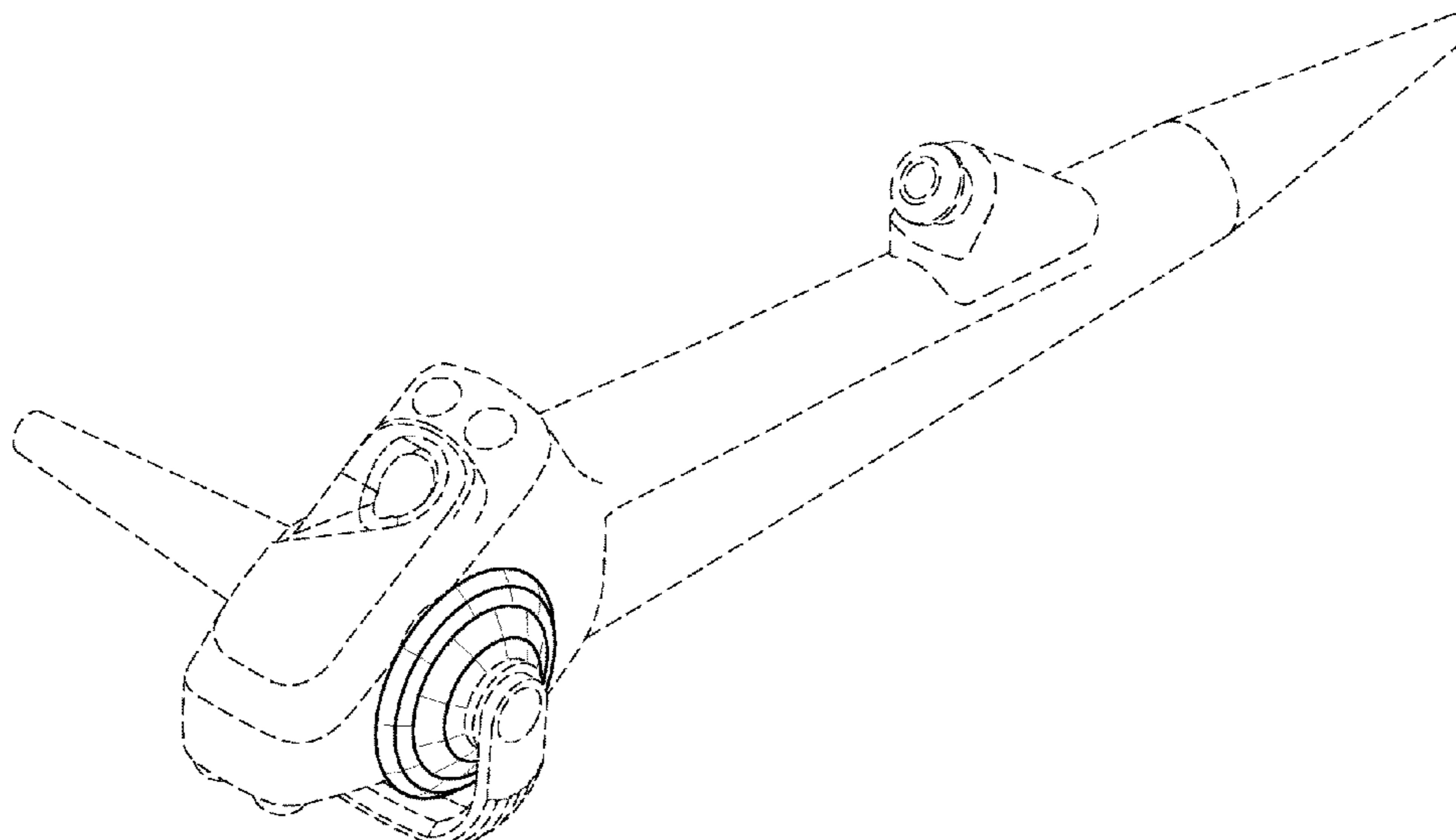


FIG.1

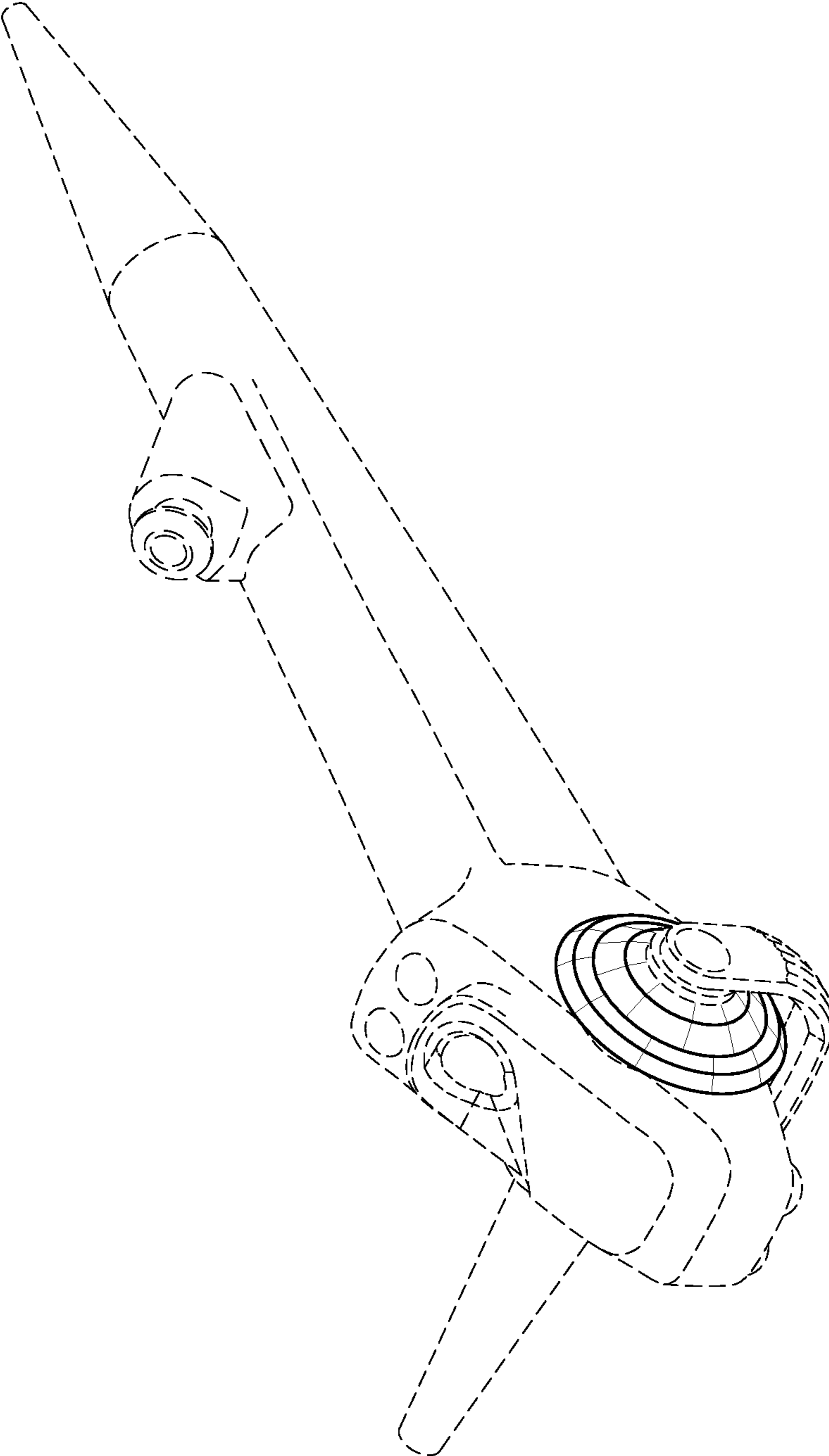


FIG.2

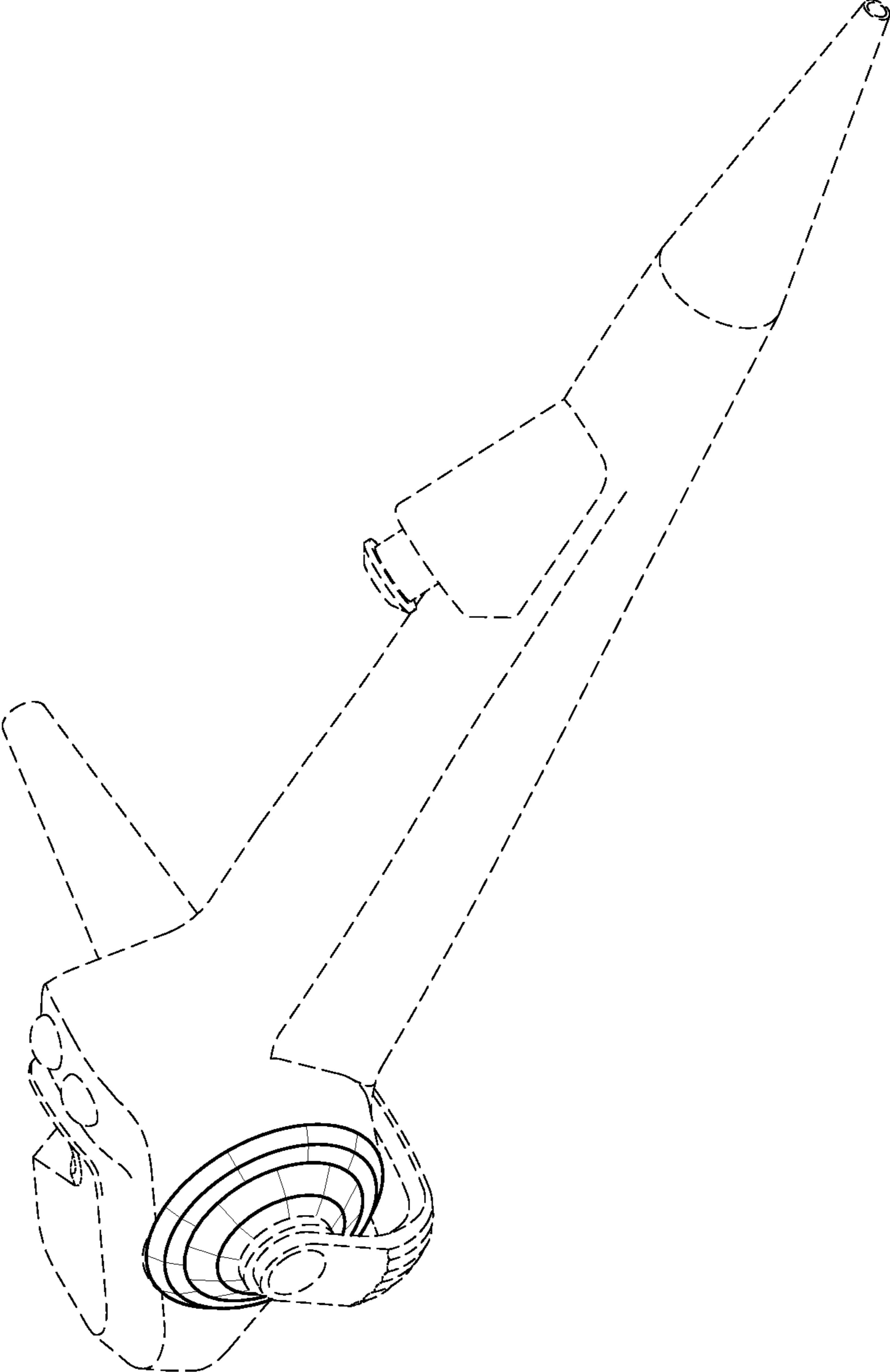


FIG. 3

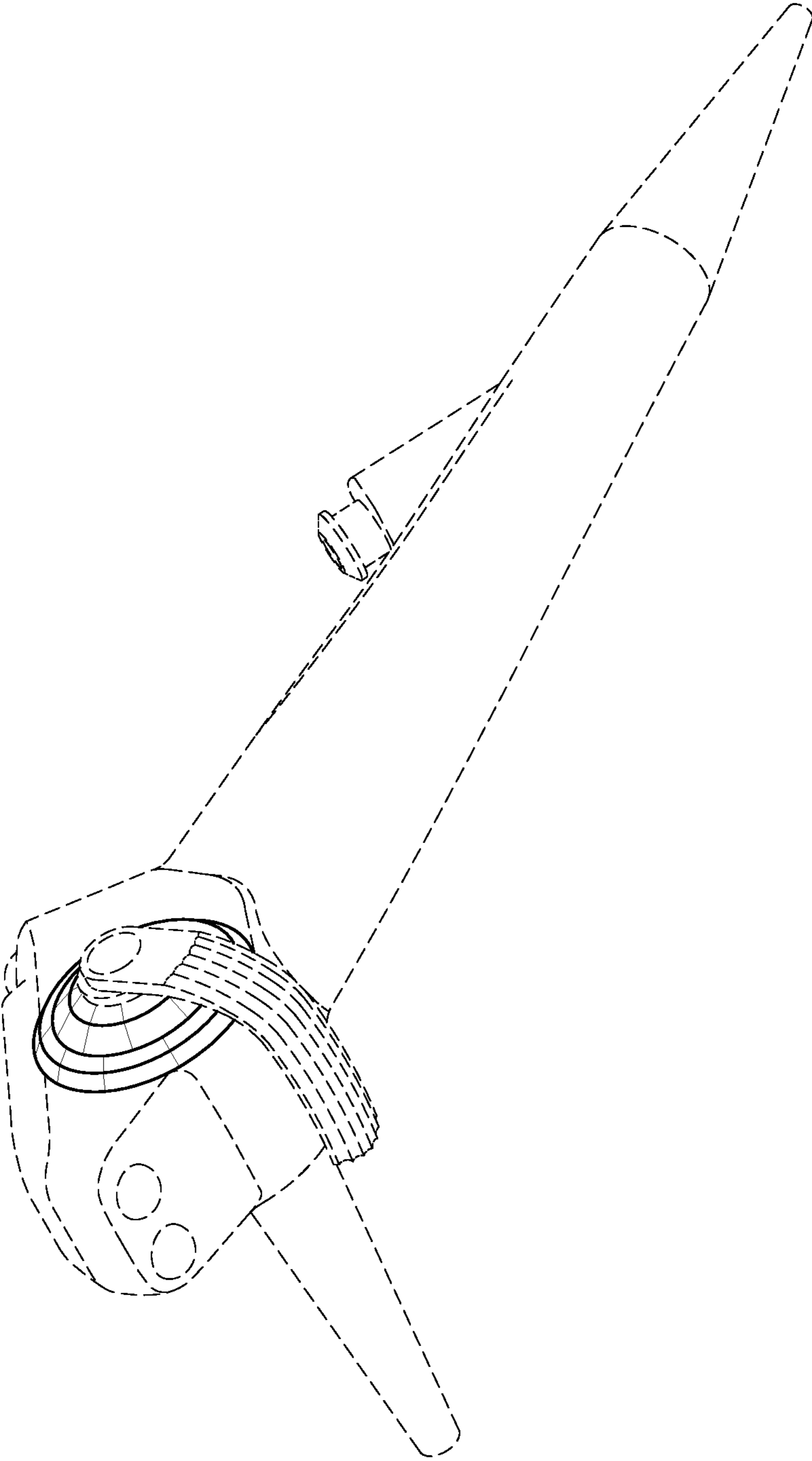


FIG. 4

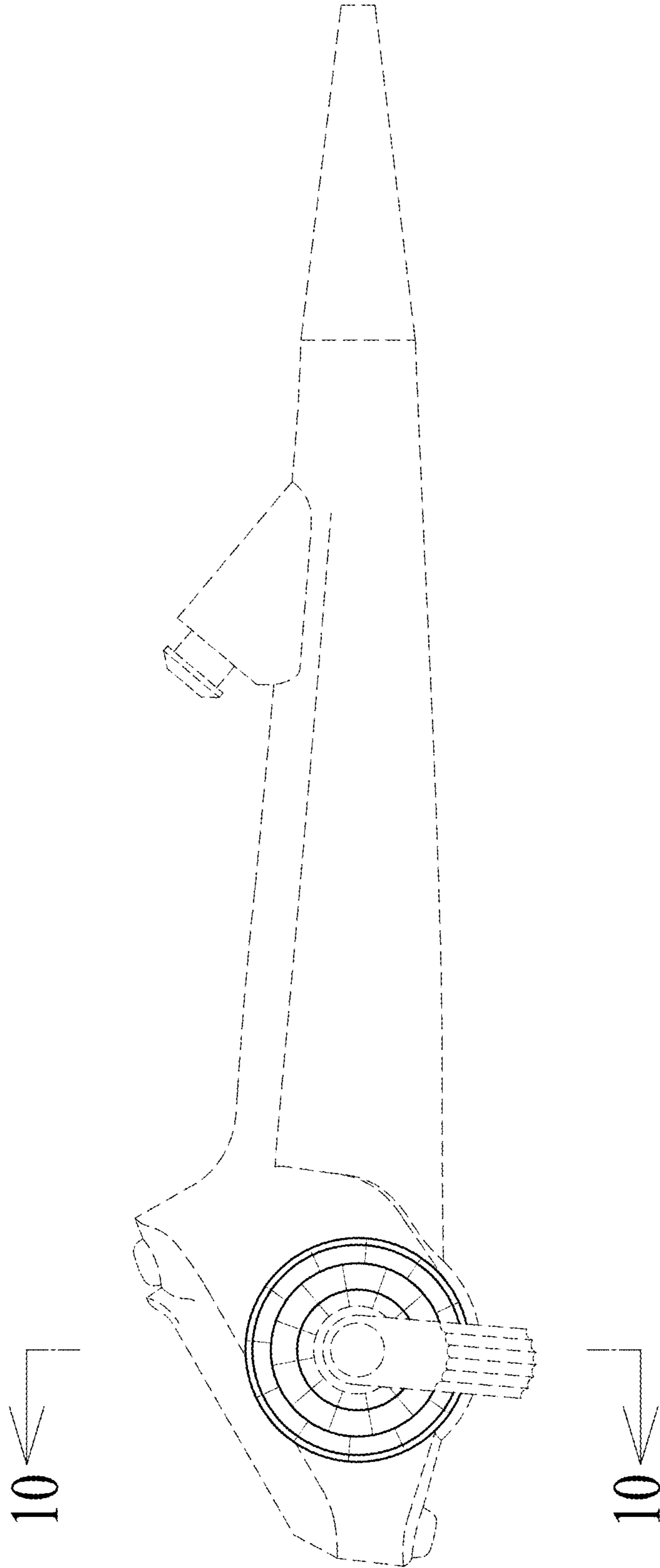


FIG. 5

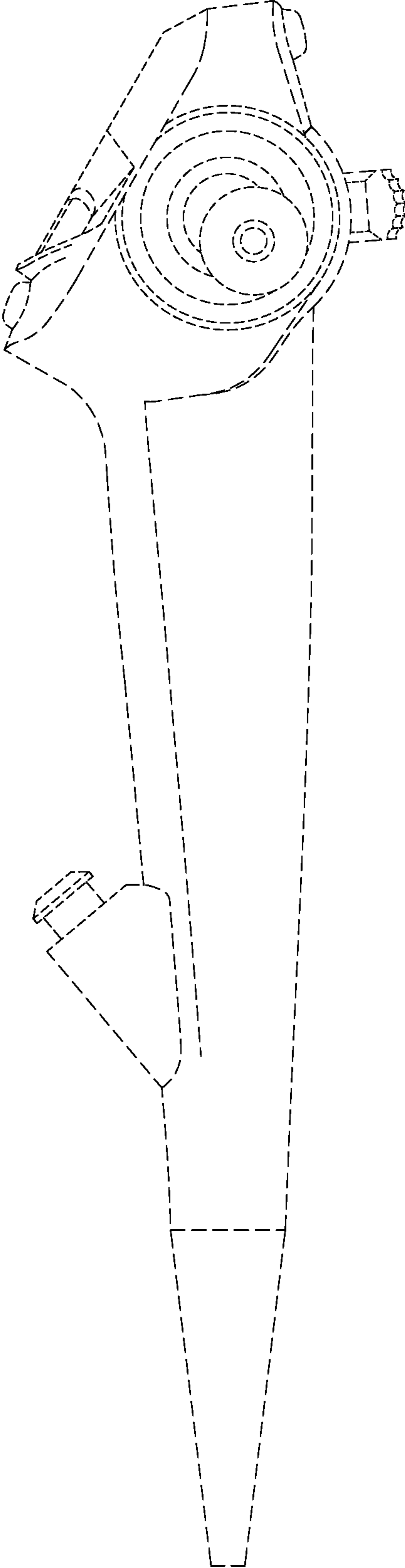


FIG.6

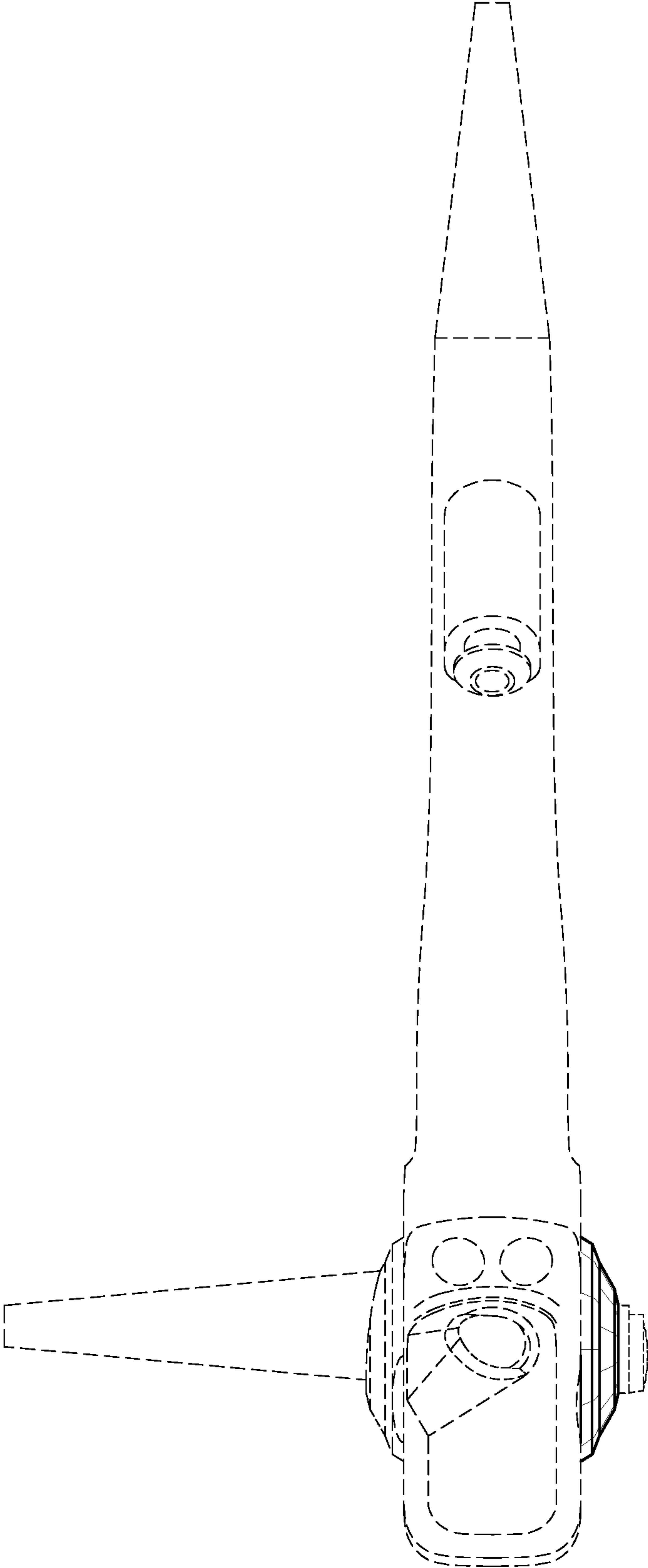


FIG. 7

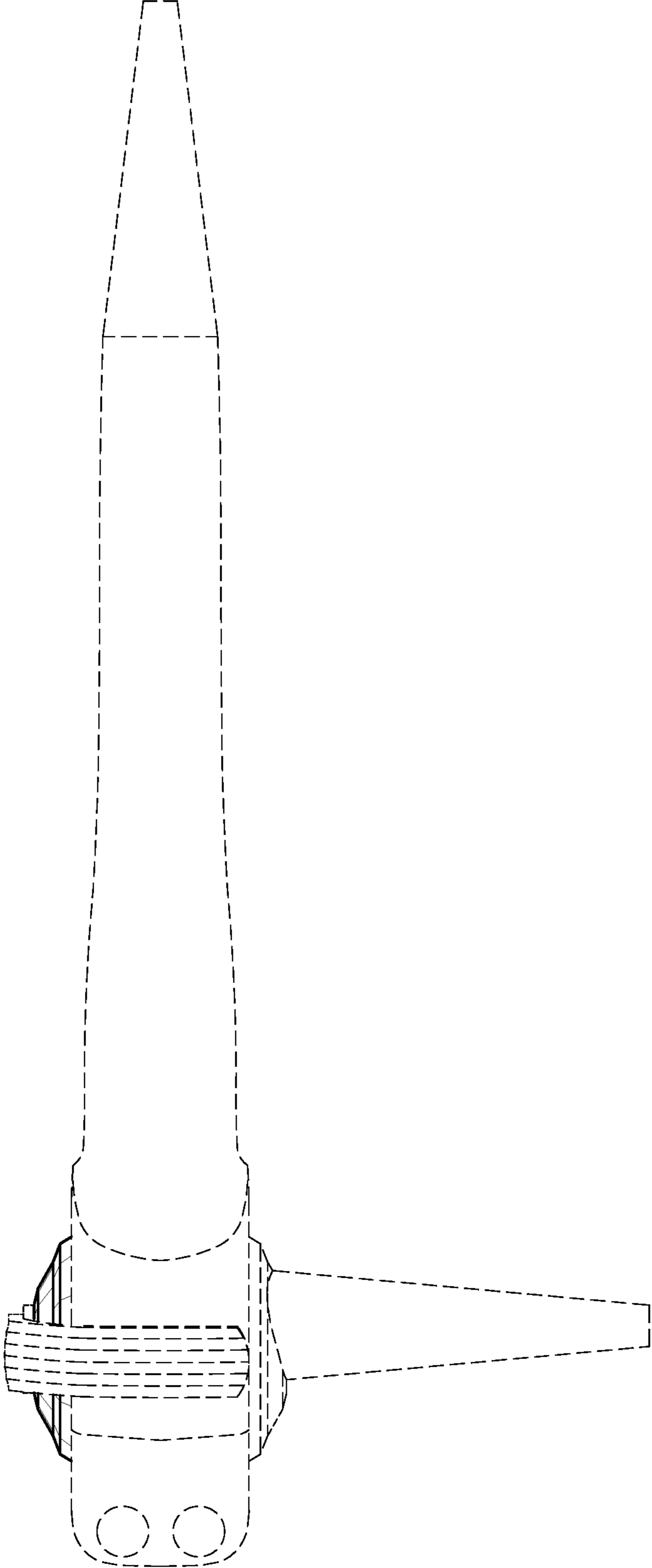


FIG. 8

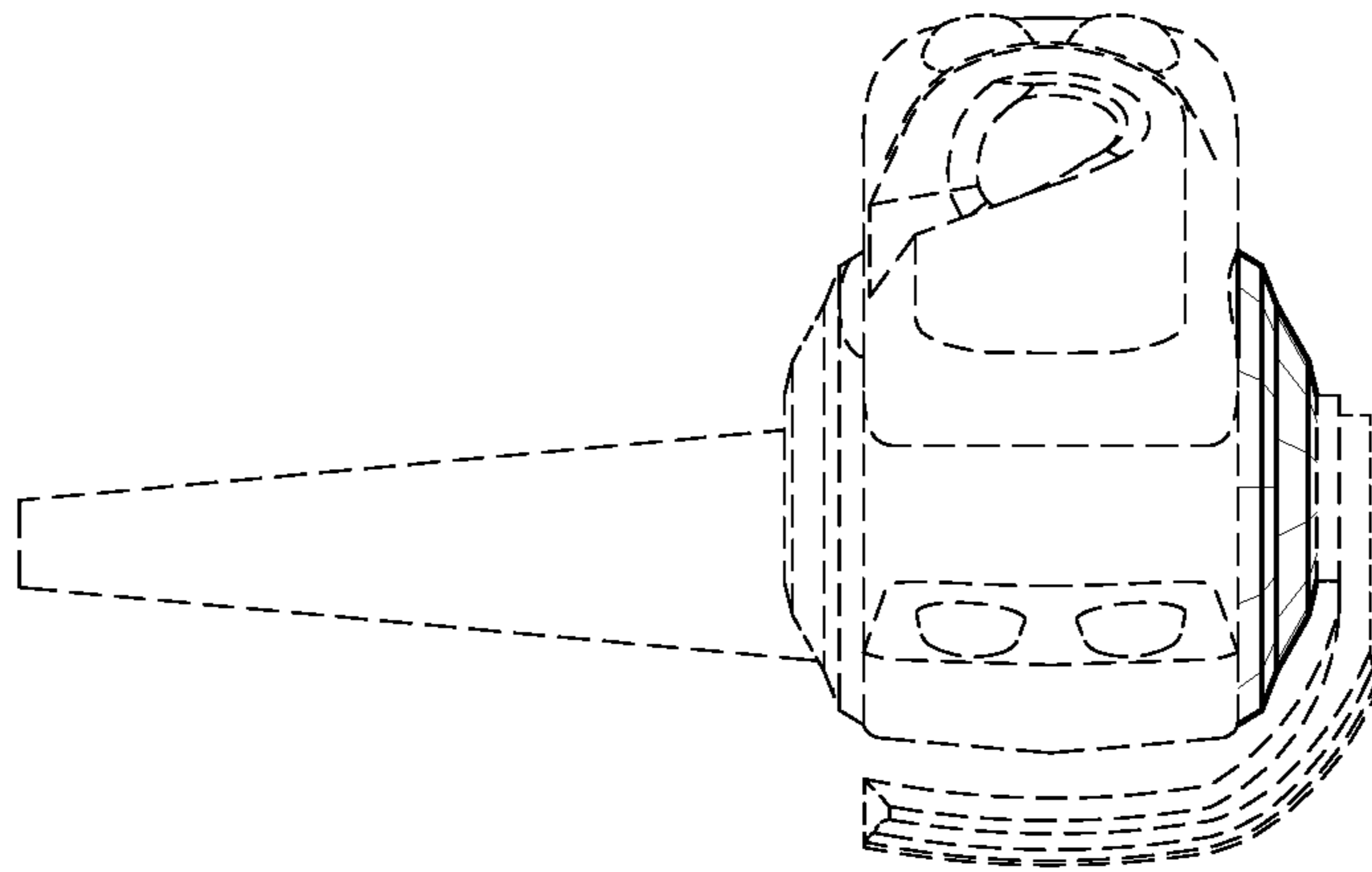


FIG.9

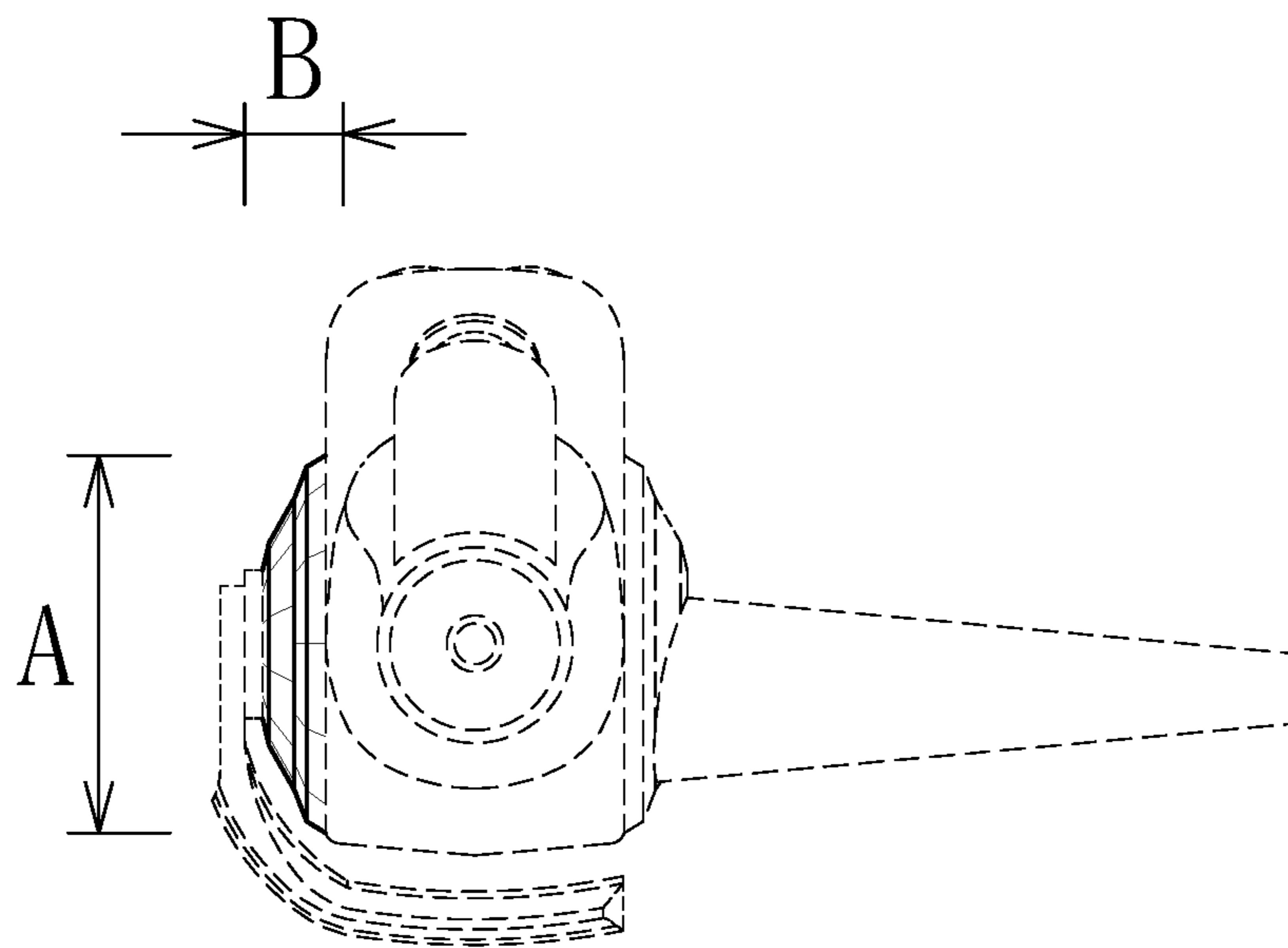


FIG. 10

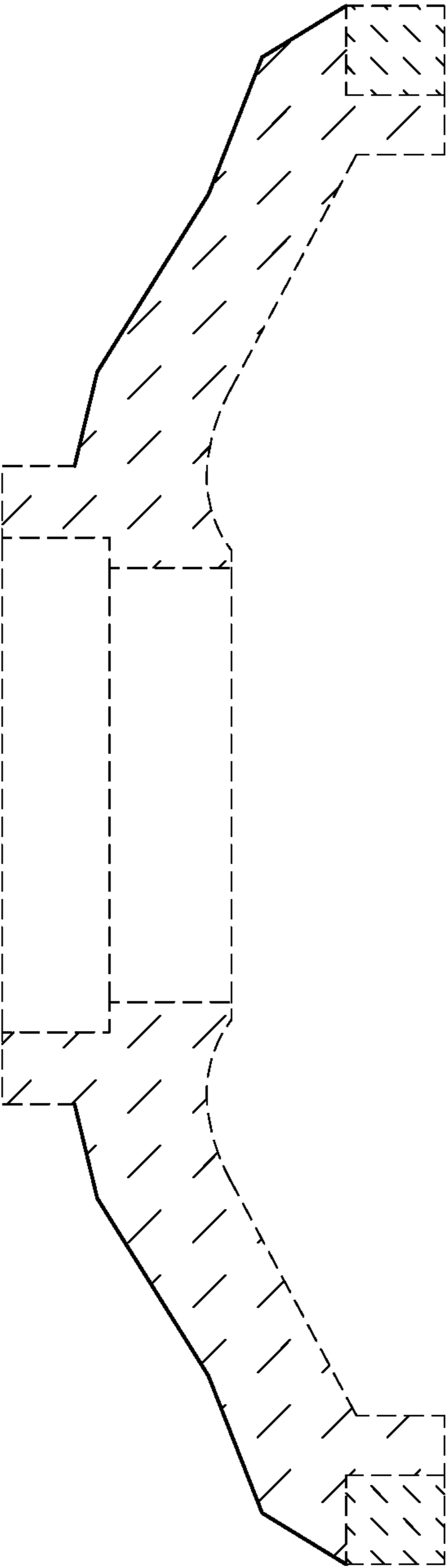


FIG.11

