



US00D873411S

(12) **United States Design Patent**  
**Iturriaga et al.**

(10) **Patent No.:** **US D873,411 S**  
(45) **Date of Patent:** **\*\* Jan. 21, 2020**

(54) **INJECTOR GUN**  
(71) Applicant: **DIGIRODEO S.A.**, Buenos Aires (AR)  
(72) Inventors: **Carlos Ignacio Iturriaga**, Buenos Aires (AR); **Fernando Oscar Diaz Offeney**, Buenos Aires (AR); **Nicolas Alejandro Reyes Viserie**, Buenos Aires (AR)  
(73) Assignee: **DIGIRODEO S.A.**, Ciudad Autónoma de Buenos Aires (AR)

5,913,869 A \* 6/1999 Reil ..... A44C 7/001  
606/167  
D679,010 S \* 3/2013 Kitayama ..... D24/133  
D750,224 S \* 2/2016 Miyano ..... D24/113  
D759,237 S \* 6/2016 Heath ..... D24/133  
D759,238 S \* 6/2016 Heath ..... D24/133  
D760,382 S \* 6/2016 Eisele ..... D24/113  
D768,848 S \* 10/2016 Cooper ..... D24/113  
D777,326 S \* 1/2017 Sainsbury ..... D24/133  
D778,439 S \* 2/2017 Hakansson ..... D24/133  
D790,057 S \* 6/2017 Ashman-Stauss ..... D24/130  
D820,972 S \* 6/2018 Klever ..... D24/108

\* cited by examiner

(\*\*) Term: **15 Years**

*Primary Examiner* — David G Muller

(21) Appl. No.: **29/627,756**

(74) *Attorney, Agent, or Firm* — Fish & Richardson P.C.

(22) Filed: **Nov. 29, 2017**

(57) **CLAIM**

(30) **Foreign Application Priority Data**

The ornamental design for an injector gun, as shown and described.

Jun. 1, 2017 (AR) ..... 91851

**DESCRIPTION**

(51) **LOC (12) Cl.** ..... **24-02**

(52) **U.S. Cl.**

USPC ..... **D24/113**

(58) **Field of Classification Search**

USPC ..... D24/112–114, 108, 133, 130, 127, 186;  
606/181, 185; 604/264, 272, 187, 181,  
604/184, 227

CPC ..... A61M 5/178; A61M 3/00; A61M 5/20;  
A61M 5/31; A61M 5/3146; A61M  
5/3129; A61M 5/3148; A61M 5/315

See application file for complete search history.

FIG. 1 is a front upper side perspective view of a injector gun showing my new design.

FIG. 2 is a left side view thereof.

FIG. 3 is a right side view thereof.

FIG. 4 is a rear view thereof.

FIG. 5 is a front view thereof.

FIG. 6 is a top view thereof.

FIG. 7 is a bottom view thereof; and,

FIG. 8 is a rear upper side perspective view thereof.

The surface shading and contour lines shown in the drawings represent the three-dimensional character and contour of the article, and are not intended to illustrate material, surface ornamentation or surface decoration.

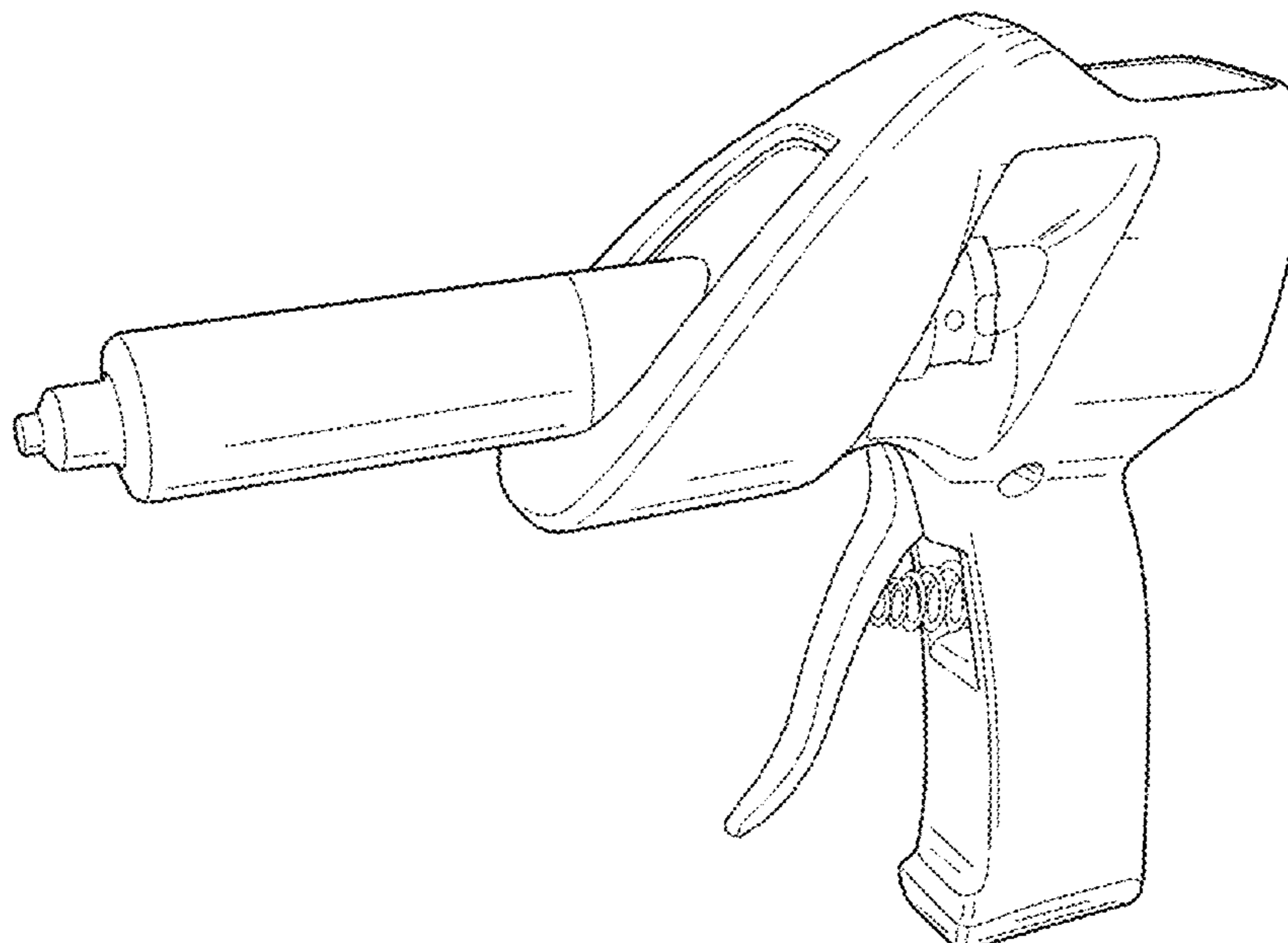
The broken lines are shown for the purpose of illustrating environmental subject matter which forms no part of the claimed design.

(56) **References Cited**

**U.S. PATENT DOCUMENTS**

D406,337 S \* 3/1999 Baust ..... D24/133  
5,911,729 A \* 6/1999 Shikhman ..... A61B 18/14  
606/108

**1 Claim, 4 Drawing Sheets**



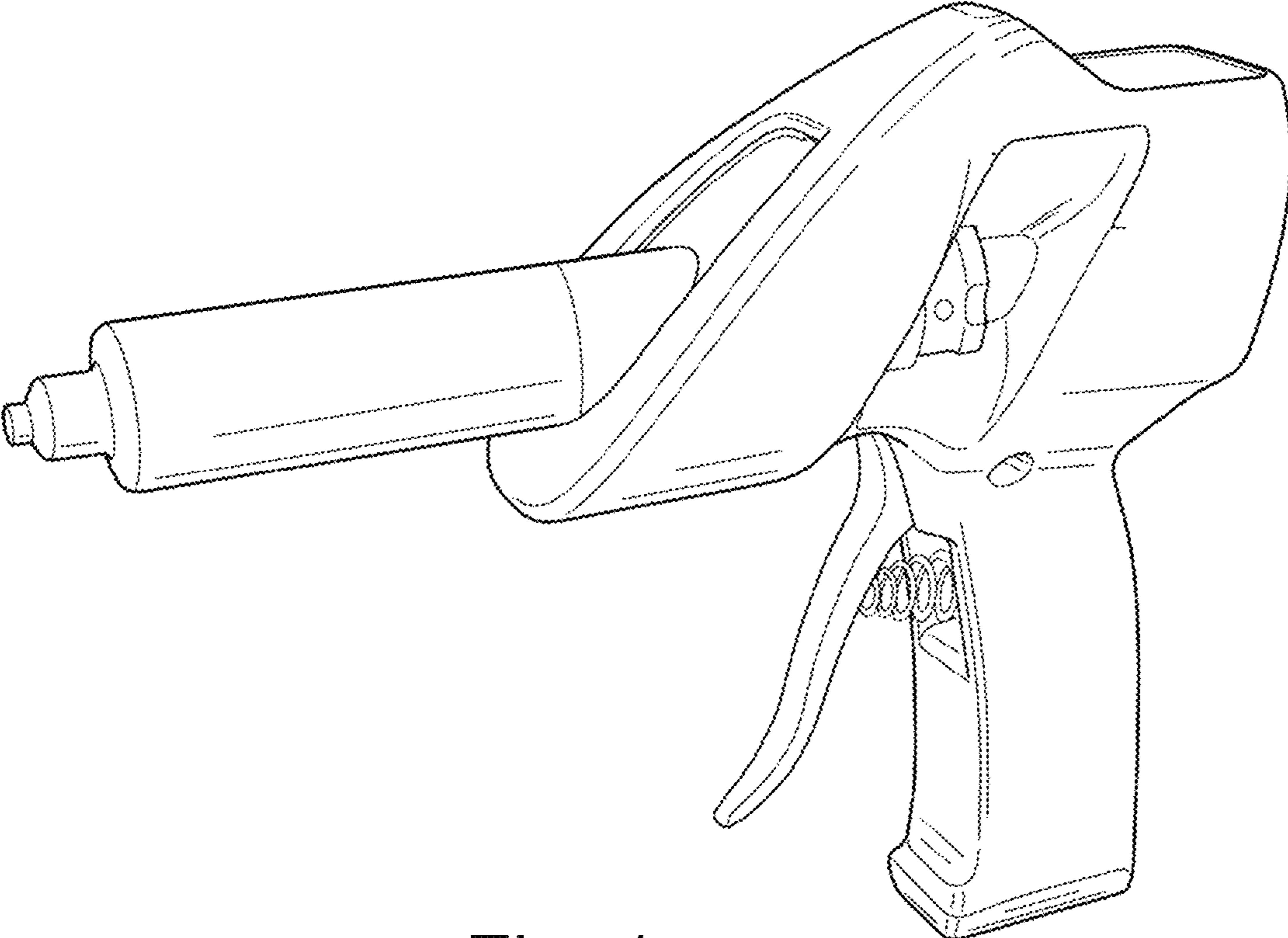


Fig. 1

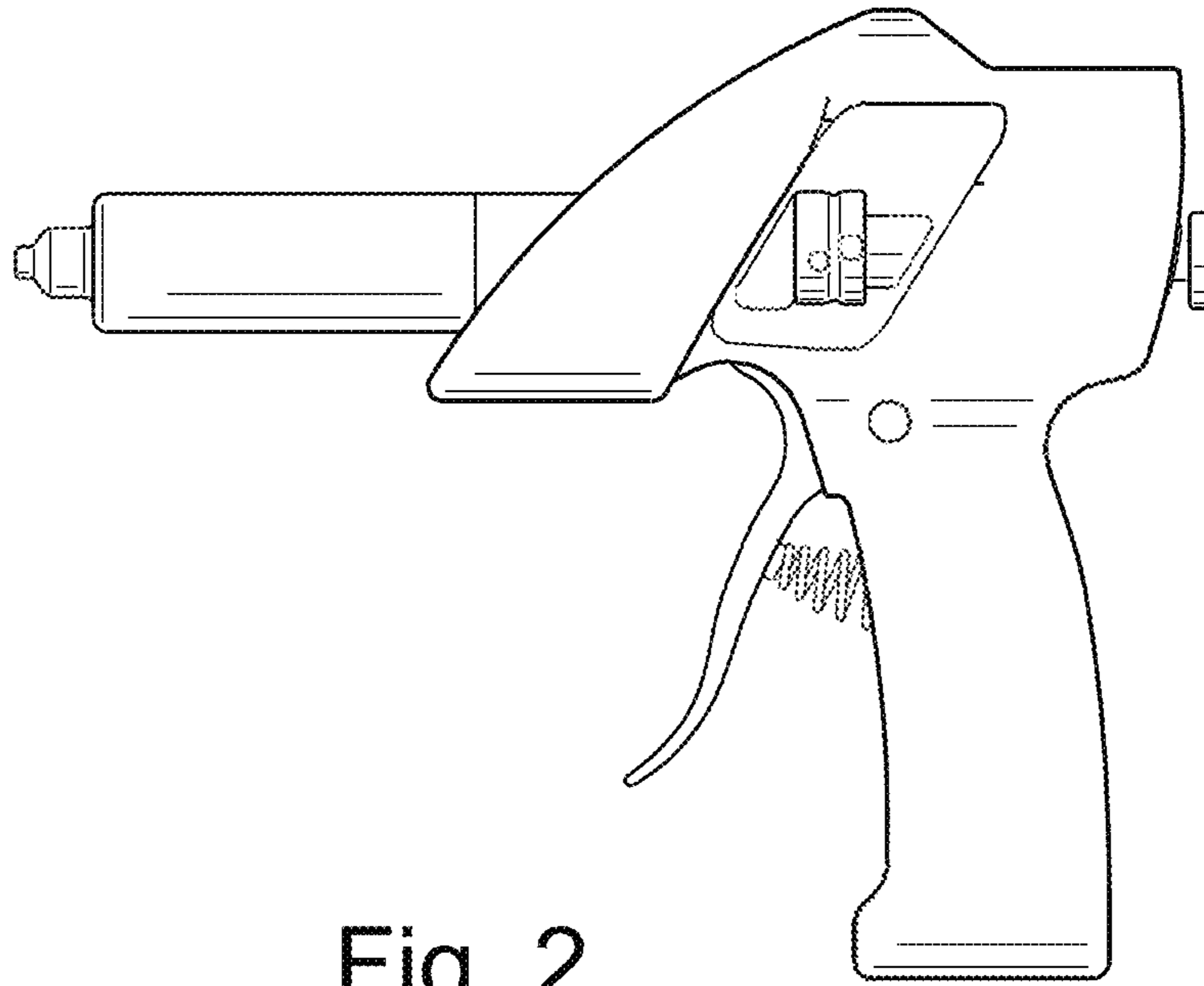


Fig. 2

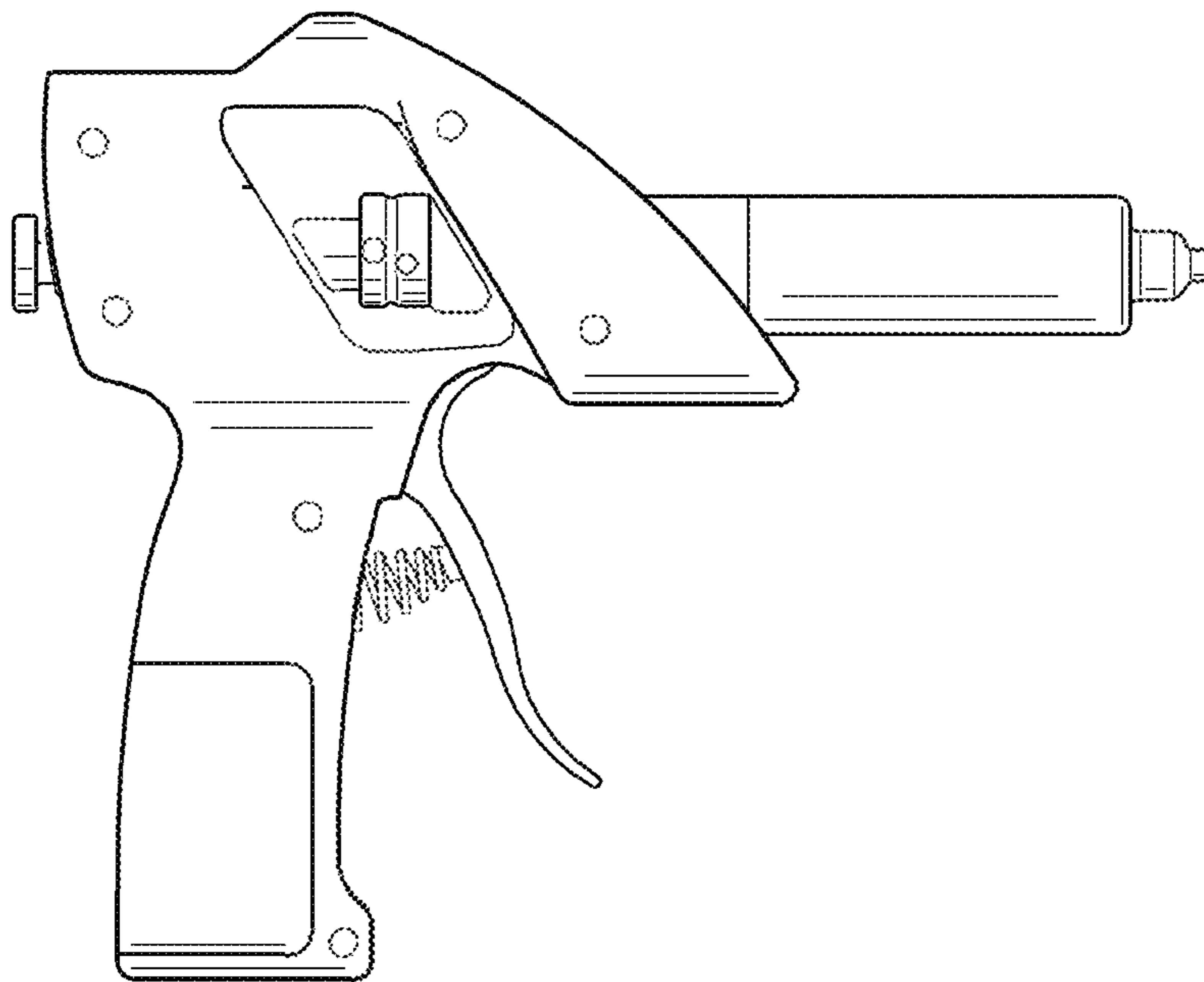


Fig. 3

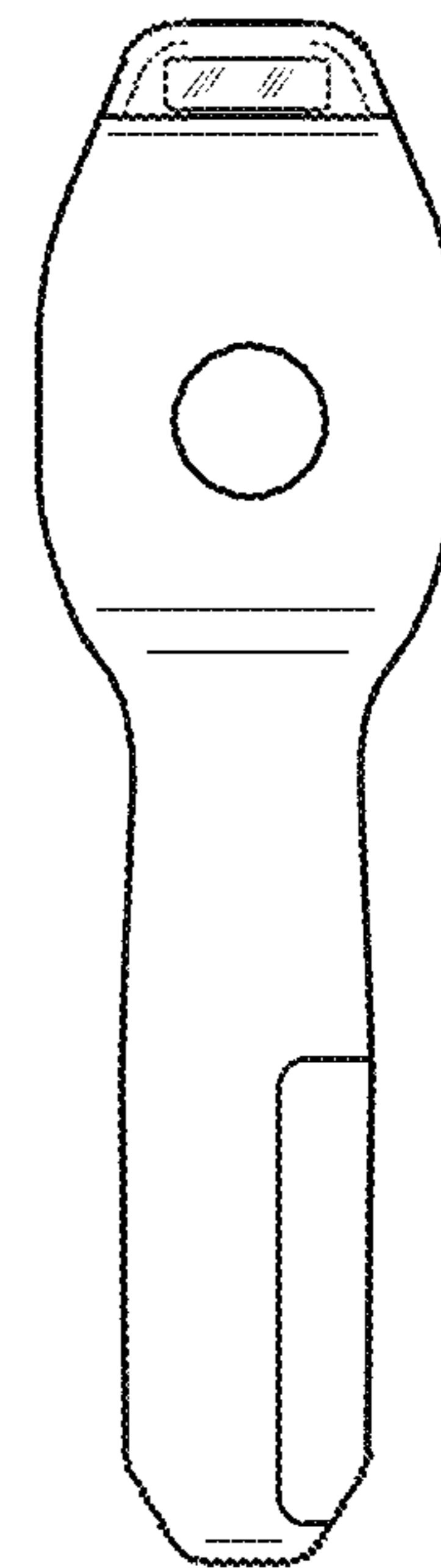


Fig. 4

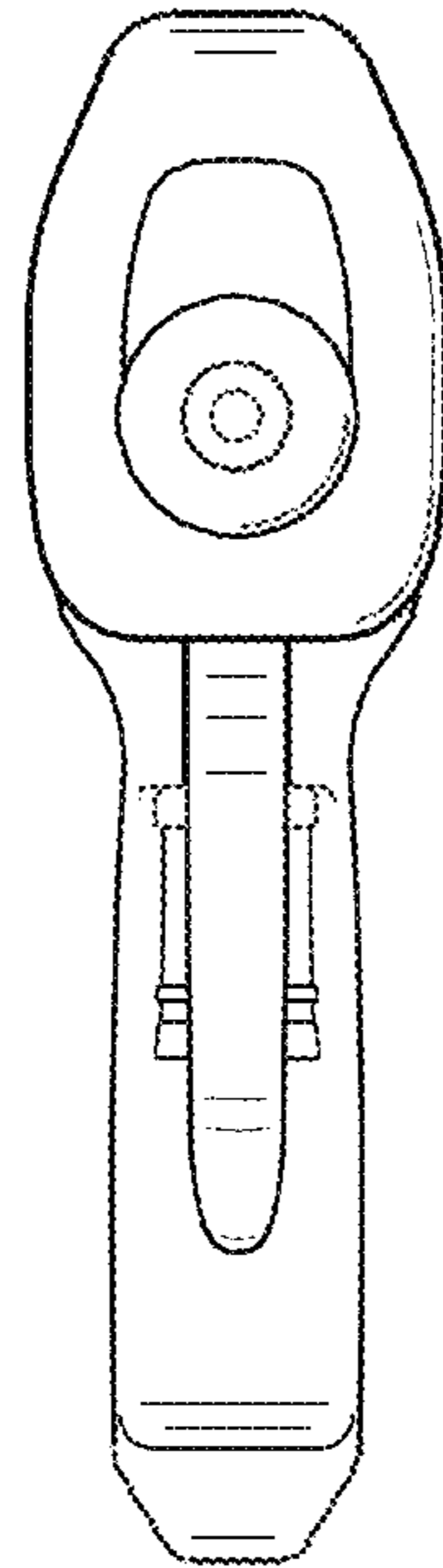


Fig. 5

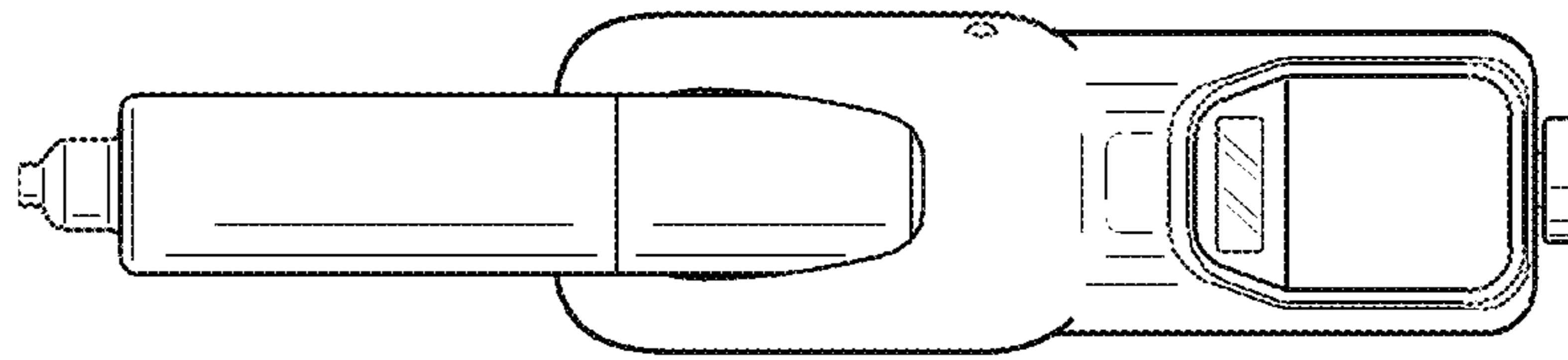


Fig. 6

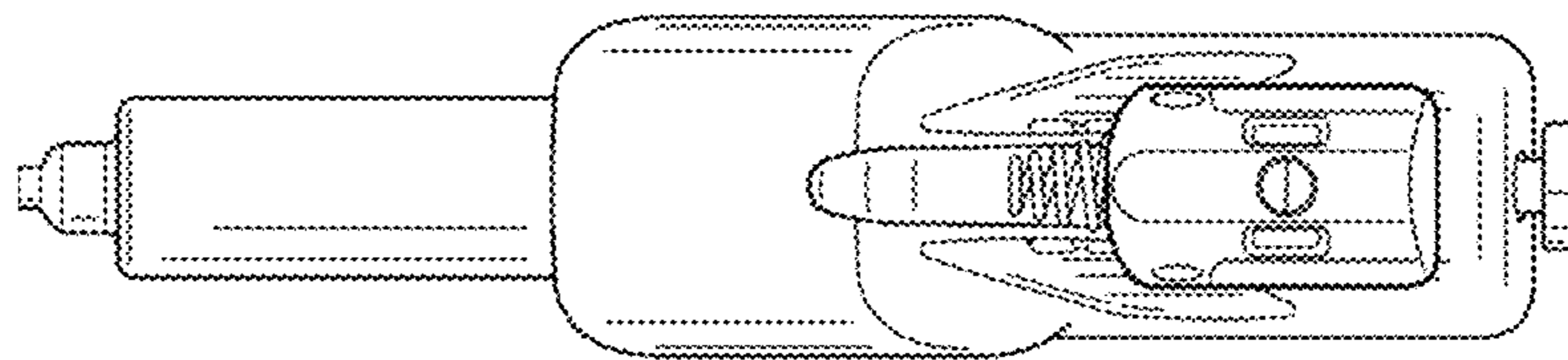


Fig. 7

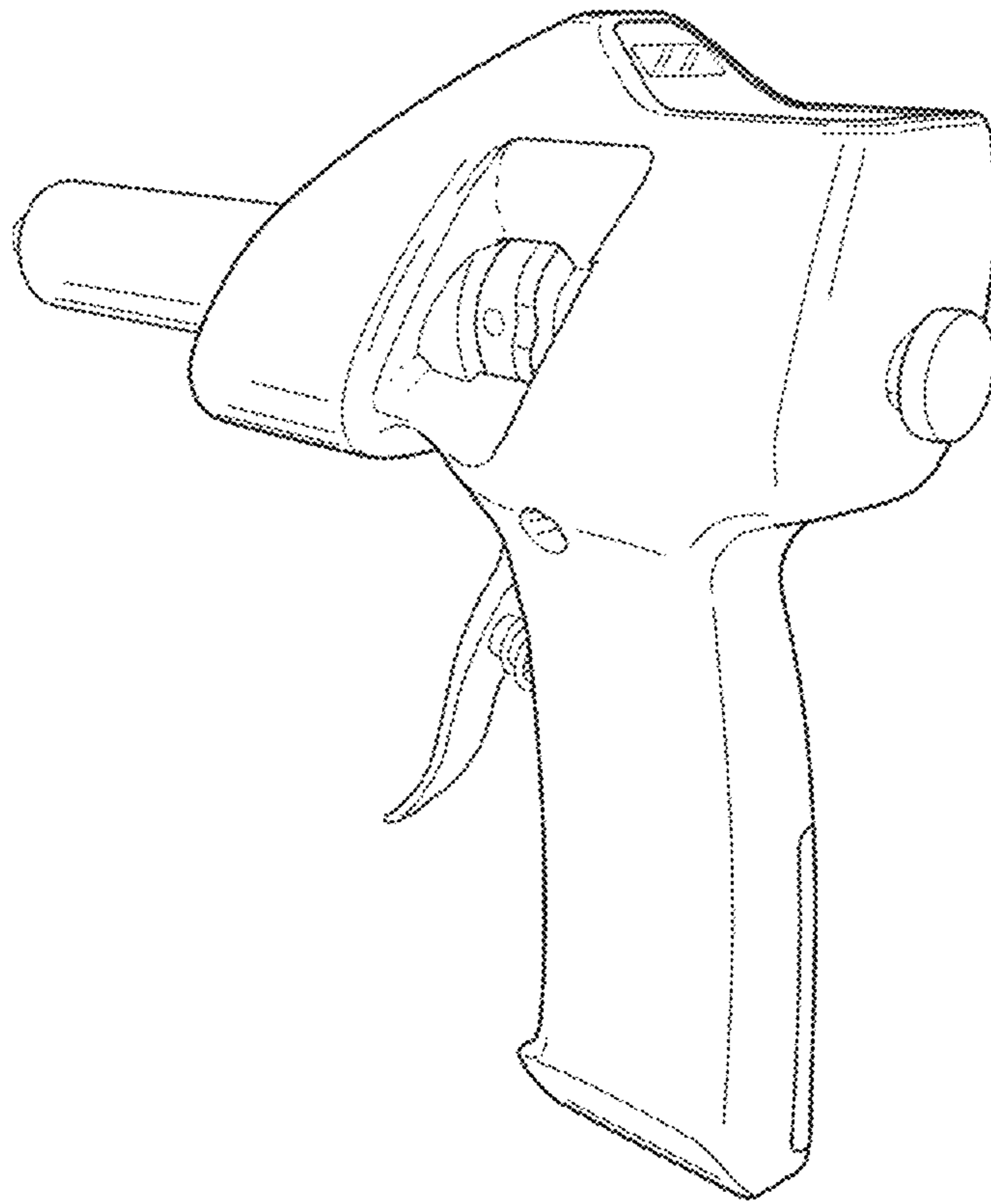


Fig. 8