



US00D873408S

(12) **United States Design Patent** (10) **Patent No.:** **US D873,408 S**  
**Li** (45) **Date of Patent:** **\*\* Jan. 21, 2020**

(54) **PORTABLE CPAP HOSE SANITIZER**

(71) Applicant: **Xiong Li**, Shenzhen (CN)

(72) Inventor: **Xiong Li**, Shenzhen (CN)

(\*\*) Term: **15 Years**

(21) Appl. No.: **29/687,894**

(22) Filed: **Apr. 16, 2019**

(51) **LOC (12) Cl.** ..... **24-01**

(52) **U.S. Cl.**  
USPC ..... **D24/108**; D24/217

(58) **Field of Classification Search**  
USPC ..... D24/107, 108, 110, 217  
CPC . A61L 2/00; A61L 2/0047; A61L 2/24; A61L  
2/025; A61M 16/06

See application file for complete search history.

(56) **References Cited**

**U.S. PATENT DOCUMENTS**

D421,309	S	*	2/2000	Riley	.....	D24/217
D629,529	S	*	12/2010	Russell, II	.....	D24/217
D679,825	S	*	4/2013	Elkerbout	.....	D24/217
D719,673	S	*	12/2014	Leyva	.....	D24/217
D719,674	S	*	12/2014	Leyva	.....	D24/217
D729,941	S	*	5/2015	Hu	.....	D24/217
9,610,373	B2	*	4/2017	Leyva	.....	A61M 16/06
2018/0318457	A1	*	11/2018	Lucio	.....	A61L 2/0047
2019/0076561	A1	*	3/2019	Leyva	.....	A61L 2/202

**OTHER PUBLICATIONS**

“CPAP Cleaner and Sanitizer,Vktech Portable Mini CPAP Cleaner Disinfector, Recharge Ozone Sterilization Cleaner Machine for CPAP Mask Air Tubes Respirator Heated Hose Pipe Tube Acces-

sories”, Retrieved Apr. 15, 2019]. Retrieved from Internet, [https://www.amazon.com/UINCAREH-Recharge-Disinfector-Respirator-sanitizer/dp/B07FRYCHK7/ref=sr\\_1\\_5?keywords=PORTABLE+CPAP+HOSE+SANITIZER&qid=1555326113&s=gateway&sr=8-5](https://www.amazon.com/UINCAREH-Recharge-Disinfector-Respirator-sanitizer/dp/B07FRYCHK7/ref=sr_1_5?keywords=PORTABLE+CPAP+HOSE+SANITIZER&qid=1555326113&s=gateway&sr=8-5).

“Portable Mini CPAP Cleaner Disinfector for CPAP Air Tubes Machine Respirator Mask Respirator Cleaning Sanitizer Disinfection”, Retrieved Apr. 15, 2019]. Retrieved from Internet, [https://www.amazon.com/Portable-Disinfector-Respirator-Sanitizer-Disinfection/dp/B07F83JMNL/ref=sr\\_1\\_14?keywords=PORTABLE%2BCPAP%2BHOSE%2BSANITIZER&qid=1555326747&s=gateway&sr=8-14&th=1](https://www.amazon.com/Portable-Disinfector-Respirator-Sanitizer-Disinfection/dp/B07F83JMNL/ref=sr_1_14?keywords=PORTABLE%2BCPAP%2BHOSE%2BSANITIZER&qid=1555326747&s=gateway&sr=8-14&th=1).

\* cited by examiner

*Primary Examiner* — Lilyana Bekic

(57) **CLAIM**

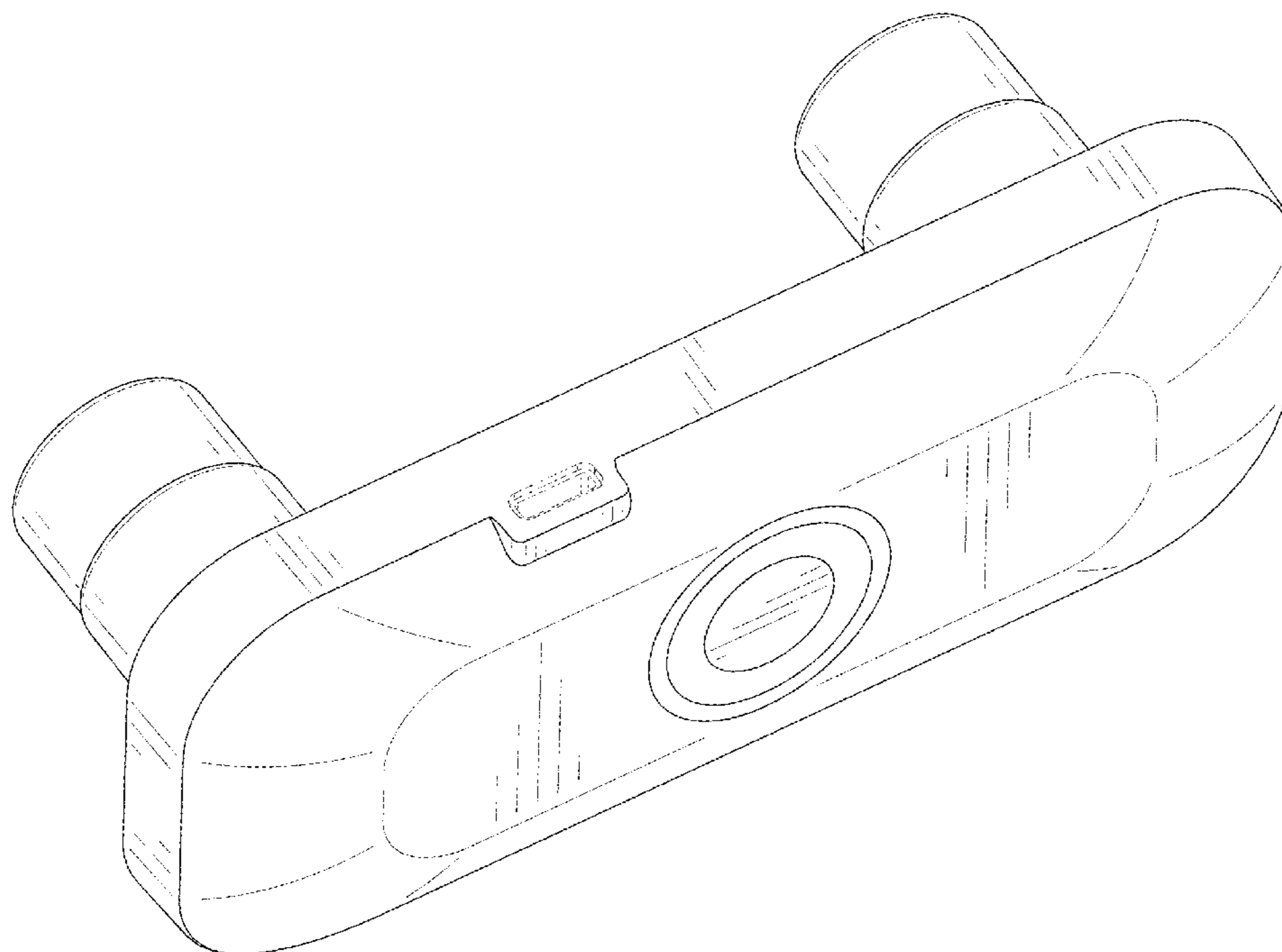
The ornamental design for a portable CPAP hose sanitizer, as shown and described.

**DESCRIPTION**

FIG. 1 is a perspective view of a portable CPAP hose sanitizer showing my new design;  
FIG. 2 is another perspective view thereof;  
FIG. 3 is a front elevational view thereof;  
FIG. 4 is a rear elevational view thereof;  
FIG. 5 is a left side elevational view thereof;  
FIG. 6 is a right side elevational view thereof;  
FIG. 7 is a top plan view thereof; and,  
FIG. 8 is a bottom plan view thereof.

The broken lines in the drawings are for the purpose of illustrating portions of the portable CPAP hose sanitizer that form no part of the claimed design.

**1 Claim, 8 Drawing Sheets**



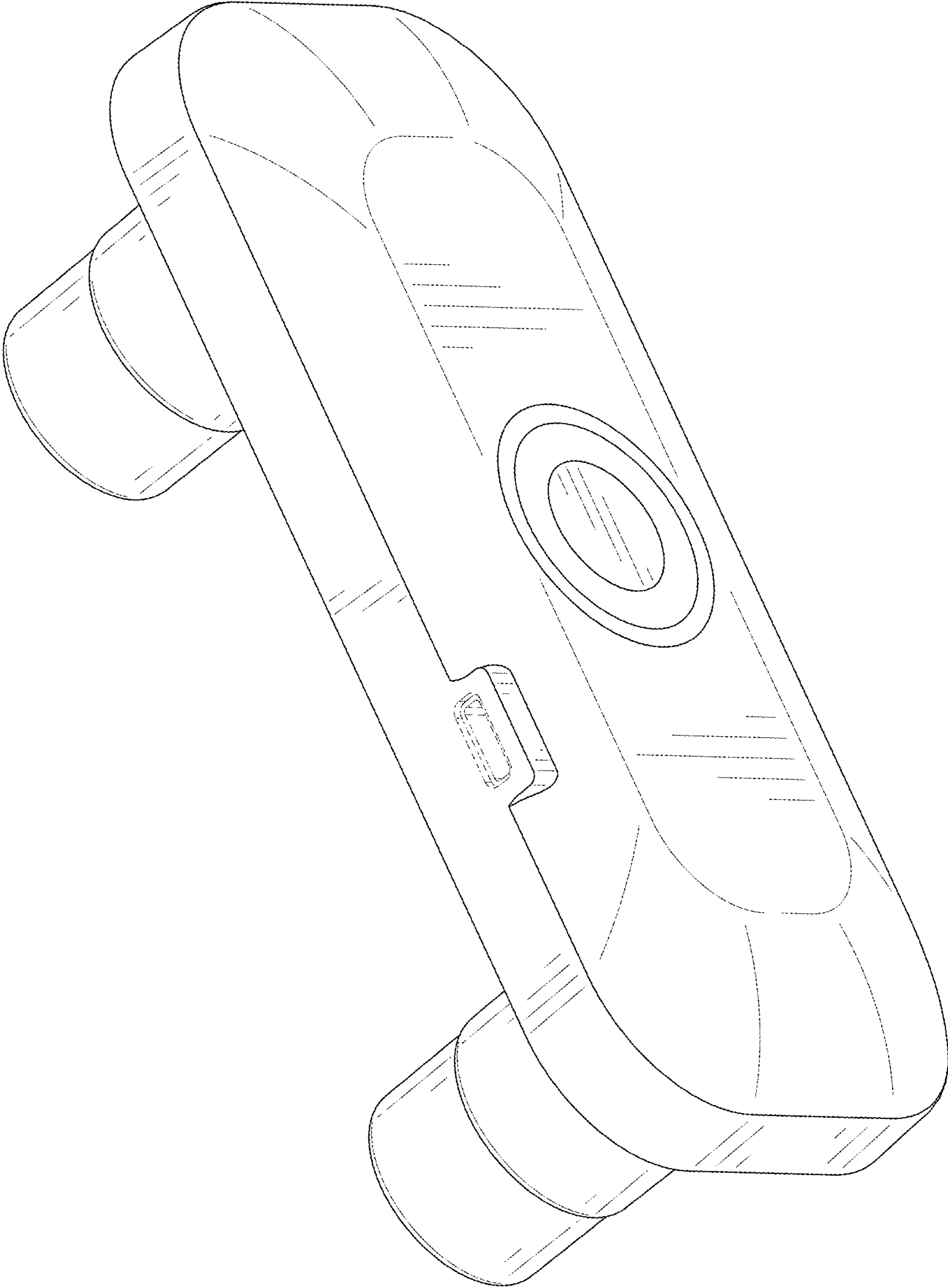


FIG. 1

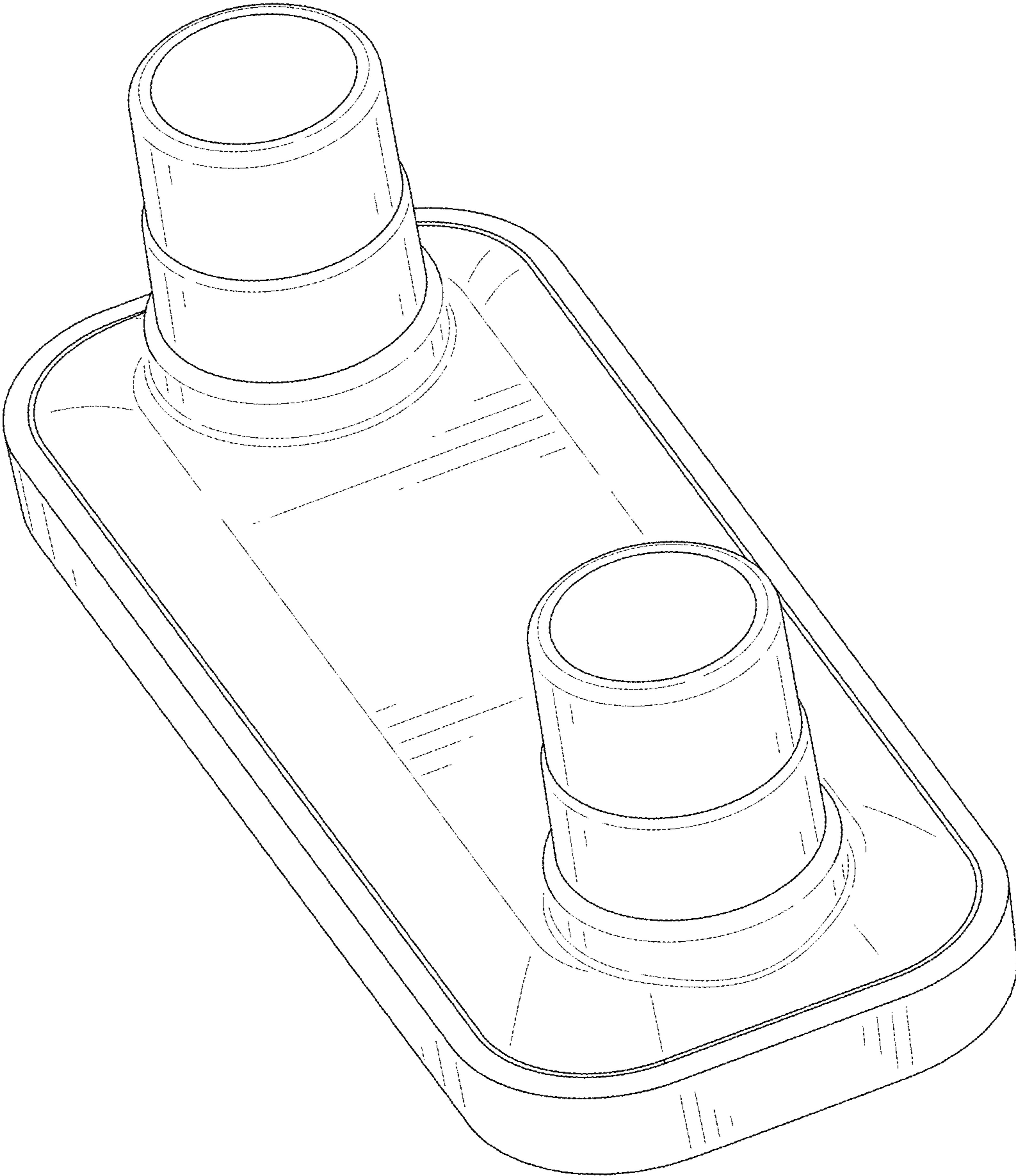


FIG. 2

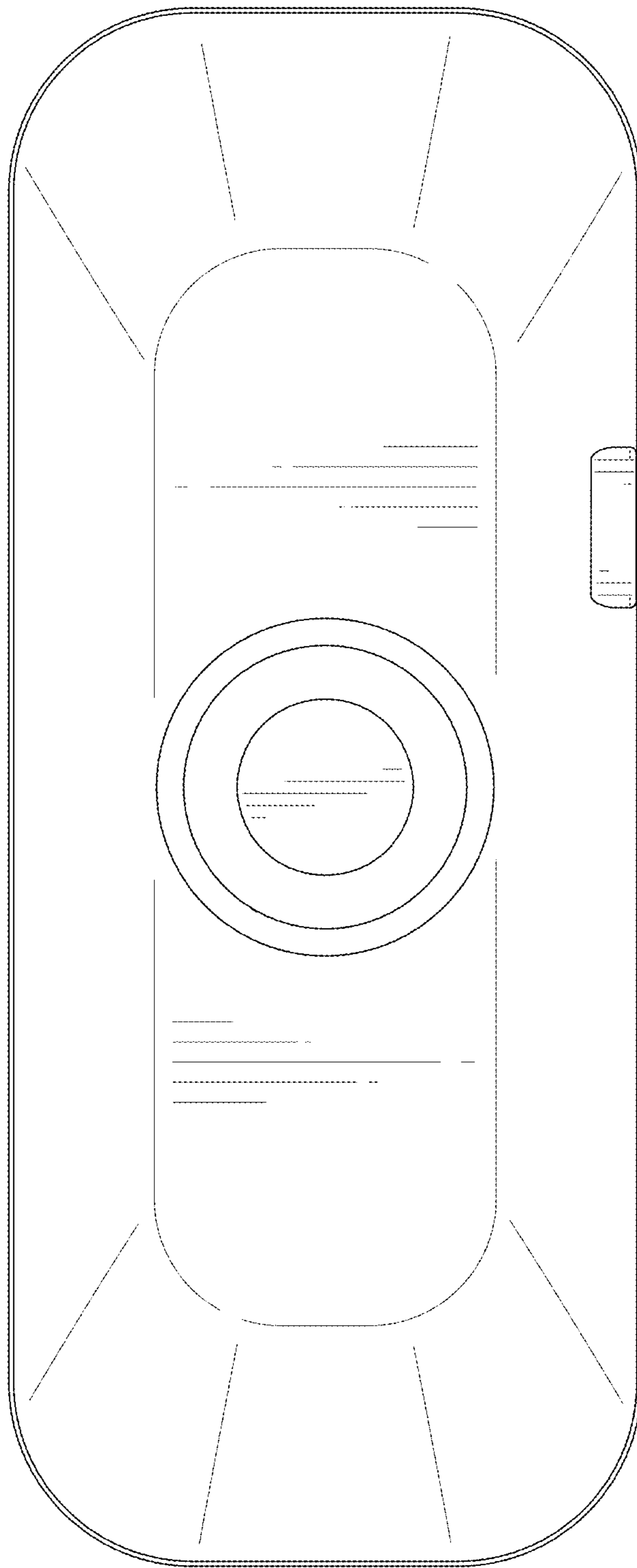


FIG. 3

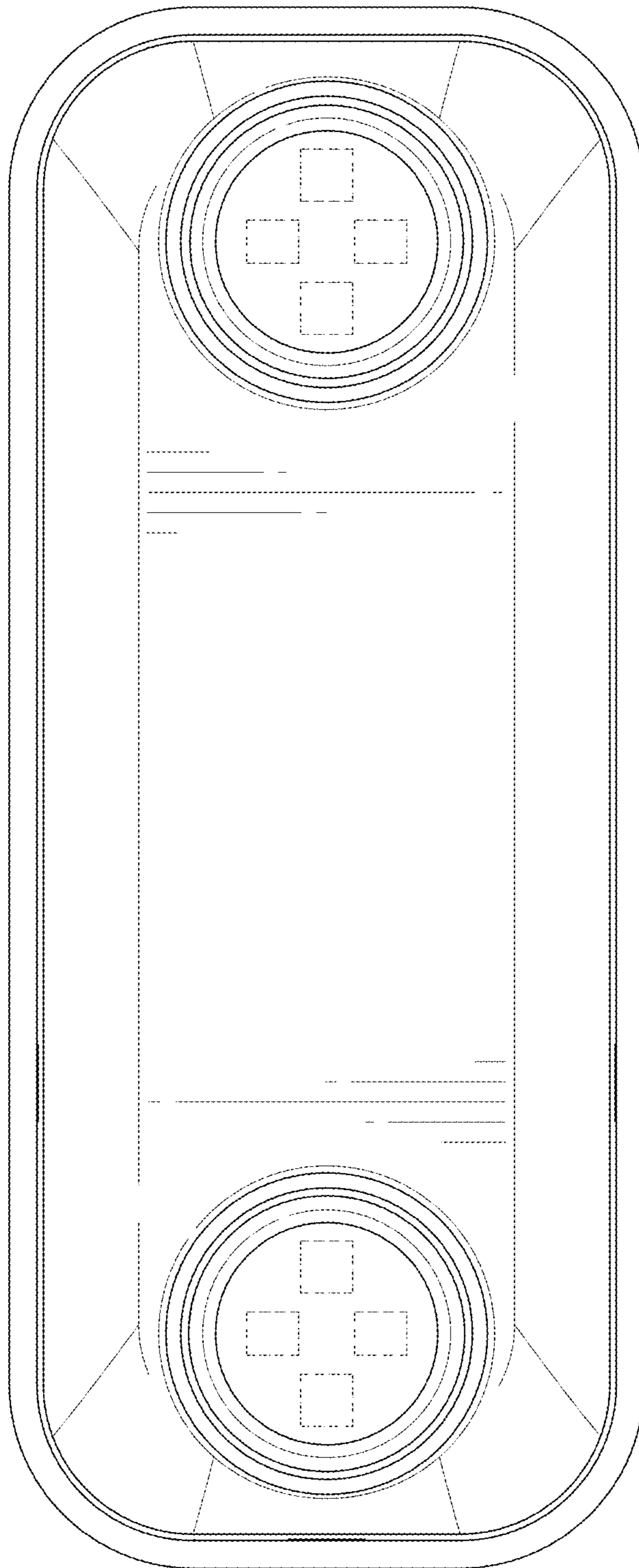


FIG. 4

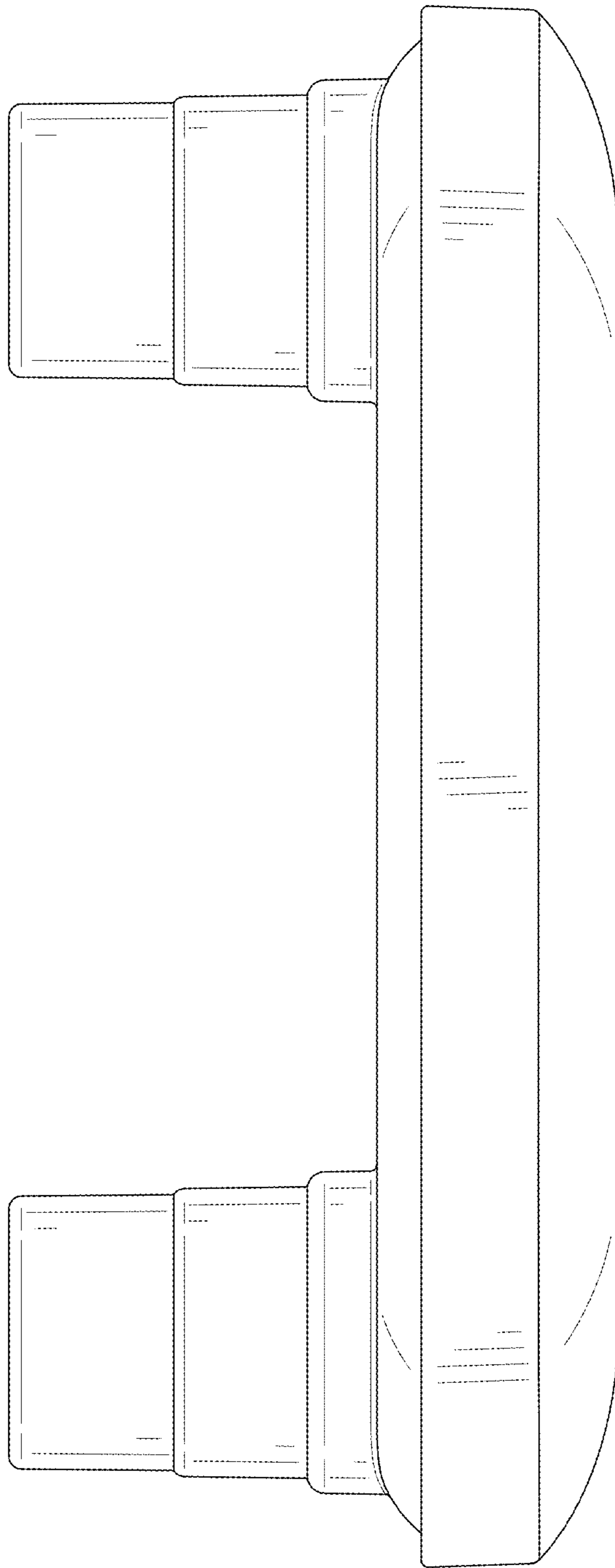


FIG. 5

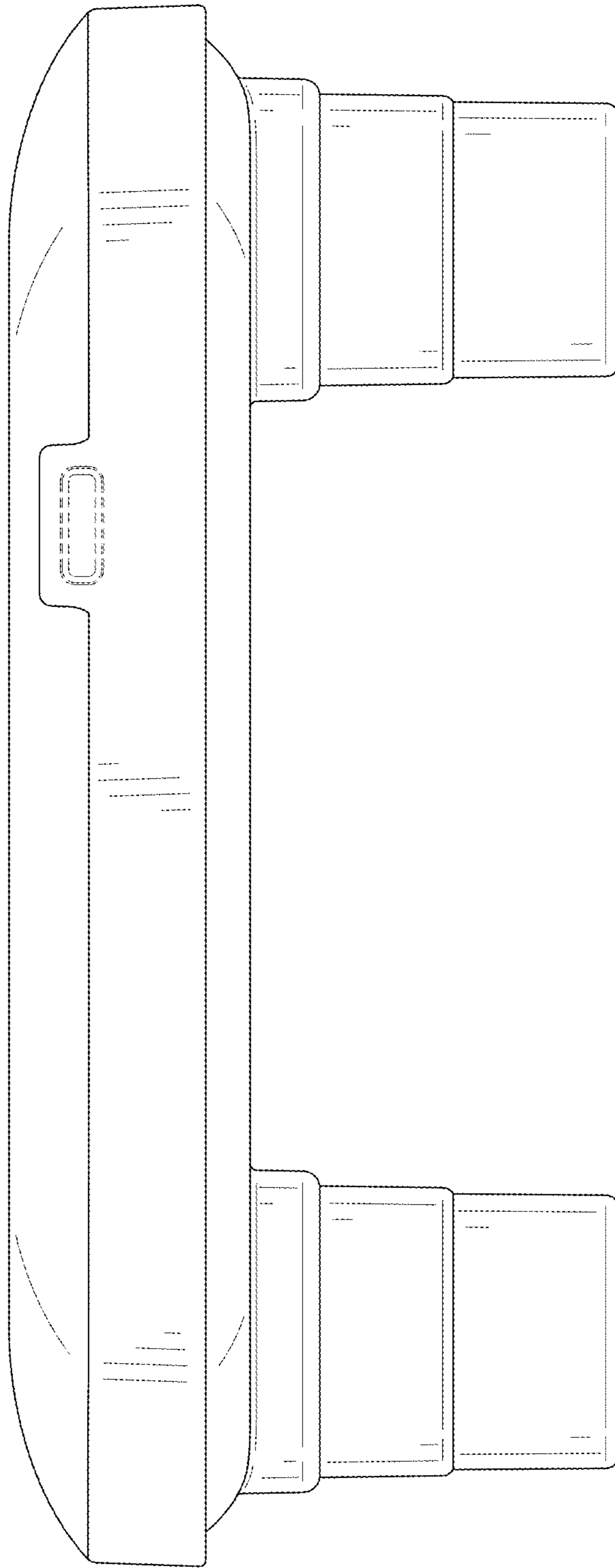


FIG. 6

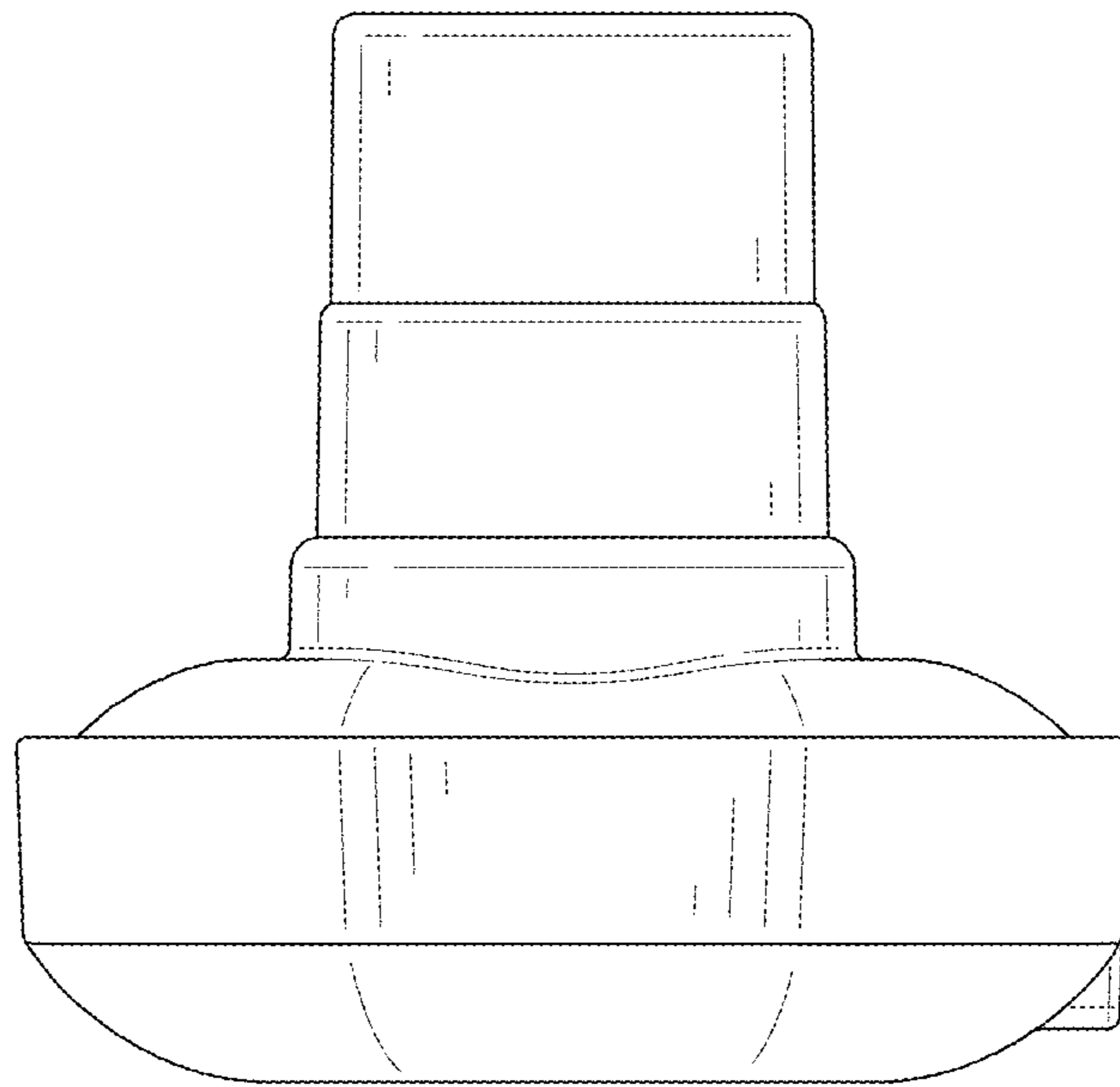


FIG. 7



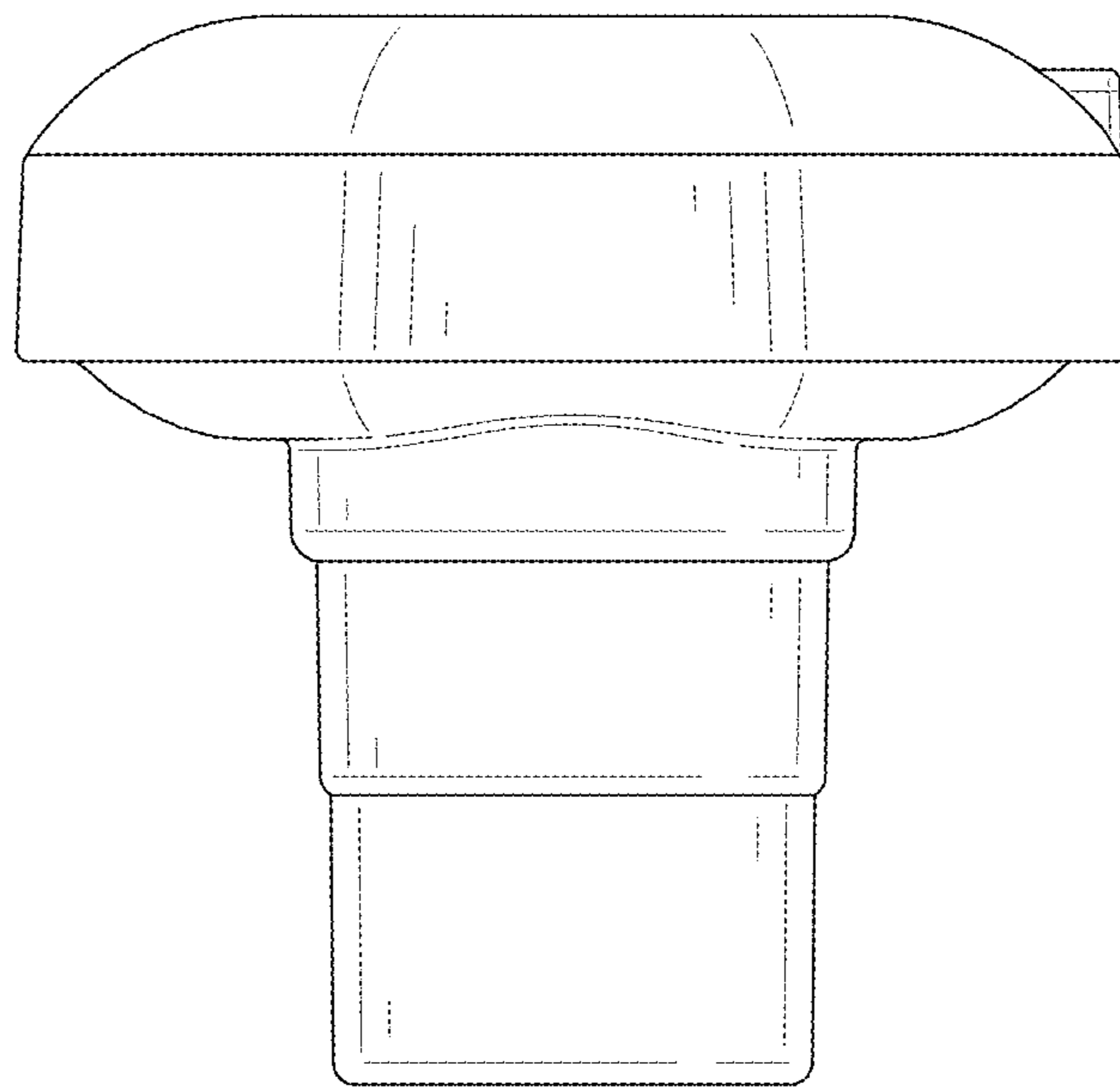


FIG. 8