



US00D873407S

(12) **United States Design Patent**
Wang

(10) **Patent No.:** **US D873,407 S**
(45) **Date of Patent:** **** Jan. 21, 2020**

- (54) **CEILING FAN**
- (71) Applicant: **YOUNGO LIMITED**, Hong Kong (CN)
- (72) Inventor: **Cliff Wang**, Taichung (TW)
- (73) Assignee: **YOUNGO LIMITED**, Hong Kong (CN)
- (**) Term: **15 Years**
- (21) Appl. No.: **29/671,618**
- (22) Filed: **Nov. 28, 2018**
- (51) **LOC (12) Cl.** **23-04**
- (52) **U.S. Cl.**
USPC **D23/377**
- (58) **Field of Classification Search**
USPC D23/377, 370-376, 378-394, 411-414, D23/499; D26/51, 59, 72, 79, 92, 124
CPC F04D 25/088; F04D 29/322; F04D 29/324; F04D 29/388; F04D 29/601
See application file for complete search history.

(56) **References Cited**

U.S. PATENT DOCUMENTS

2,224,628	A *	12/1940	Benson	F04D 29/703
					248/667
D426,630	S *	6/2000	Gajewski	D23/377
6,354,801	B1 *	3/2002	Gajewski	F04D 25/088
					415/121.2
6,517,316	B1 *	2/2003	Gajewski	F04D 25/088
					415/121.2
D476,406	S *	6/2003	Friedes	D23/377
D502,770	S *	3/2005	Hidalgo	D23/377
D516,200	S *	2/2006	Pickett	D23/411
D517,197	S *	3/2006	Pickett	D23/411
D517,675	S *	3/2006	Young	D23/377
D521,625	S *	5/2006	Young	D23/377
D522,643	S *	6/2006	Hidalgo	D23/377

D528,645	S *	9/2006	Young	D23/377
D539,894	S *	4/2007	Bucher	D23/377
D550,832	S *	9/2007	Ertze	D23/411
D555,779	S *	11/2007	Bucher	D23/377
D594,542	S *	6/2009	Pan	D23/377
D600,339	S *	9/2009	Searle	D23/377
D700,311	S *	2/2014	Wang	D23/385
D706,917	S *	6/2014	Cohen	D23/377
D710,001	S *	7/2014	Wang	D23/411
D732,157	S *	6/2015	Lin	D23/377
D741,988	S *	10/2015	Pan	D23/377
D743,522	S *	11/2015	Pan	D23/411
D744,629	S *	12/2015	Wang	D23/377
D771,795	S *	11/2016	Wang	D23/411
D799,664	S *	10/2017	Wang	D23/377
D801,515	S *	10/2017	Wang	D23/411
D804,633	S *	12/2017	Holmes	D23/377
D804,635	S *	12/2017	Holmes	D23/377
D804,638	S *	12/2017	Guthrie	D23/377

(Continued)

Primary Examiner — Marie D. Fast Horse

(74) *Attorney, Agent, or Firm* — Pai Patent & Trademark Law Firm; Chao-Chang David Pai

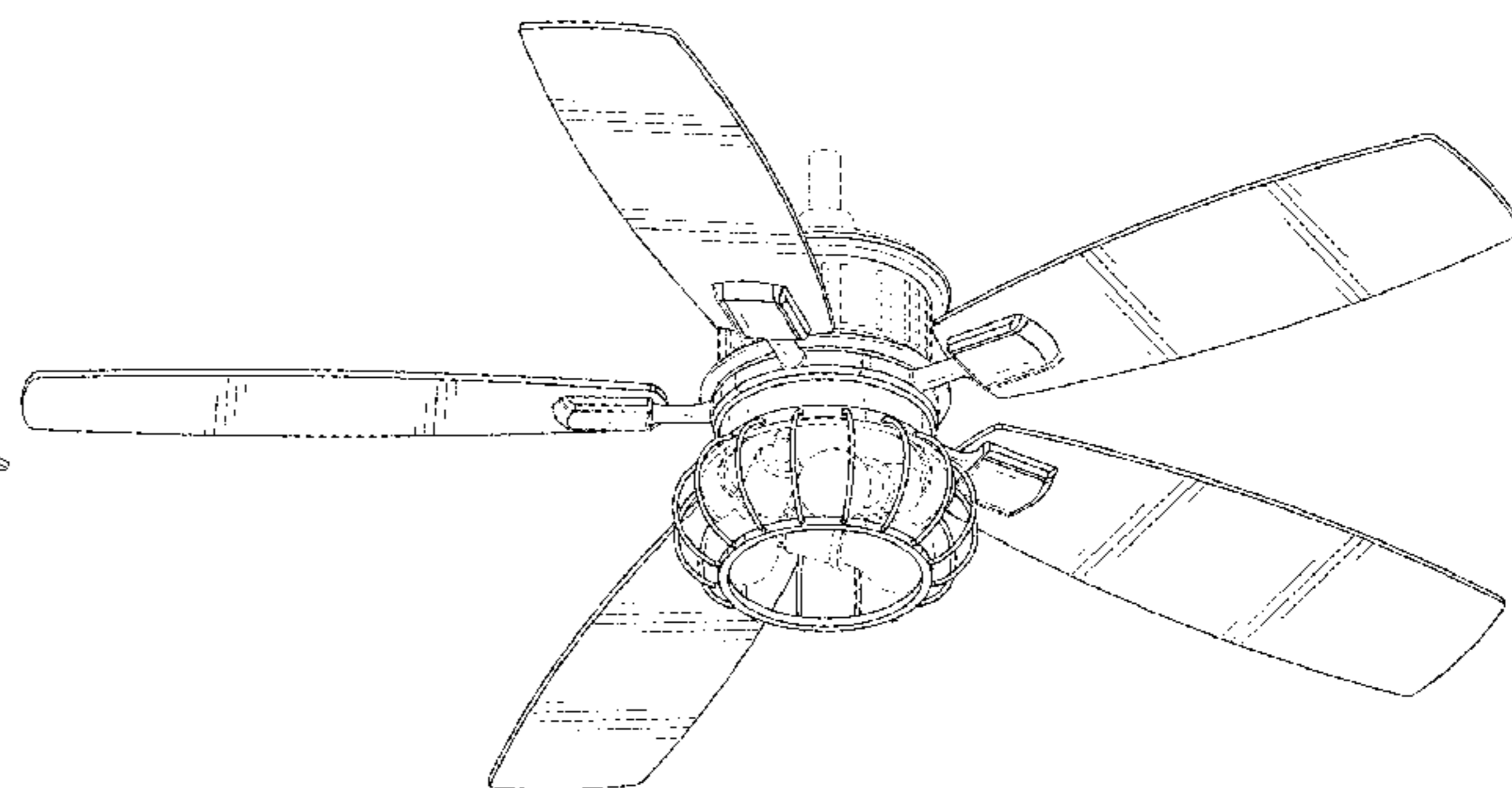
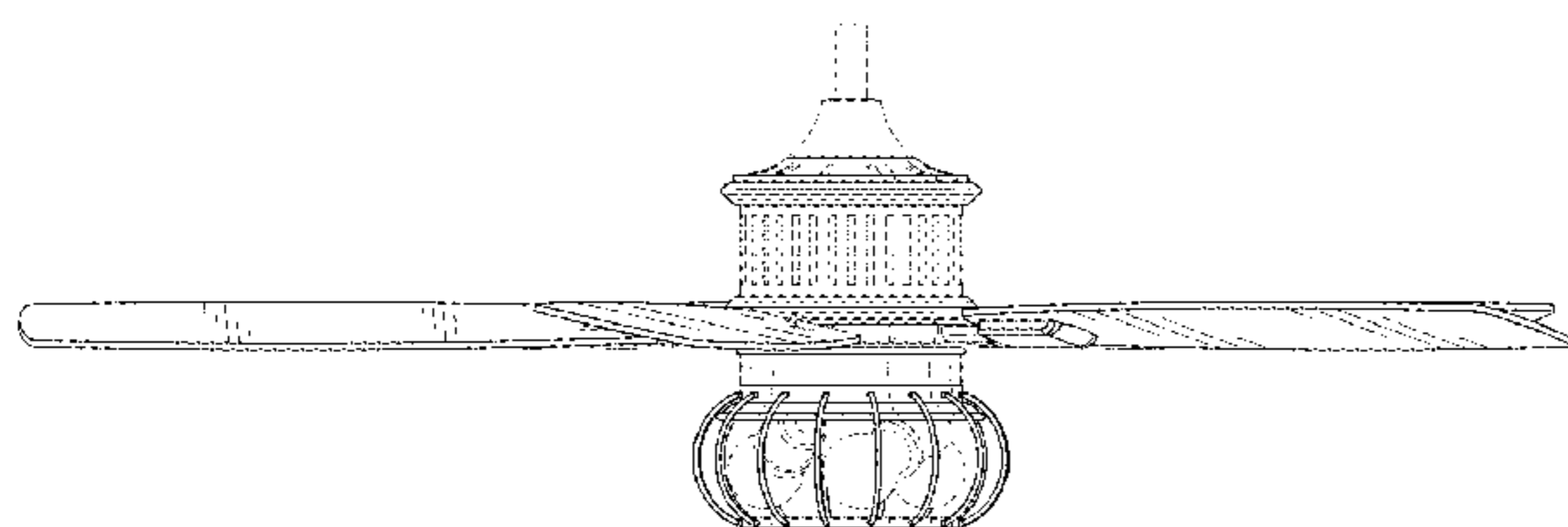
(57) **CLAIM**

The ornamental design for a ceiling fan, as shown and described.

DESCRIPTION

FIG. 1 is a front top perspective view of a ceiling fan showing my new design;
 FIG. 2 is a front elevational view thereof;
 FIG. 3 is a rear elevational view thereof;
 FIG. 4 is a left side elevational view thereof;
 FIG. 5 is a right side elevational view thereof;
 FIG. 6 is a top plan view thereof;
 FIG. 7 is a bottom plan view thereof; and,
 FIG. 8 is a front bottom perspective view thereof.
 The broken lines depict portions of the ceiling fan that form no part of the claimed design.

1 Claim, 6 Drawing Sheets



(56)

References Cited

U.S. PATENT DOCUMENTS

D805,173	S	*	12/2017	Vajen Habig	D23/377
D805,182	S	*	12/2017	Pickett	D23/411
D806,852	S	*	1/2018	Holmes	D23/377
D808,002	S	*	1/2018	Holmes	D23/377
D810,918	S	*	2/2018	Holmes	D23/377
D818,104	S	*	5/2018	Holmes	D23/377
D821,009	S	*	6/2018	Holmes	D26/59
D824,558	S	*	7/2018	Guthrie	D26/59
D825,086	S	*	8/2018	Holmes	D26/59
D833,597	S	*	11/2018	Hidalgo	D23/377
D834,172	S	*	11/2018	Guthrie	D23/411
D854,677	S	*	7/2019	Haggar	D23/377
D859,628	S	*	9/2019	Yang	D23/377

* cited by examiner

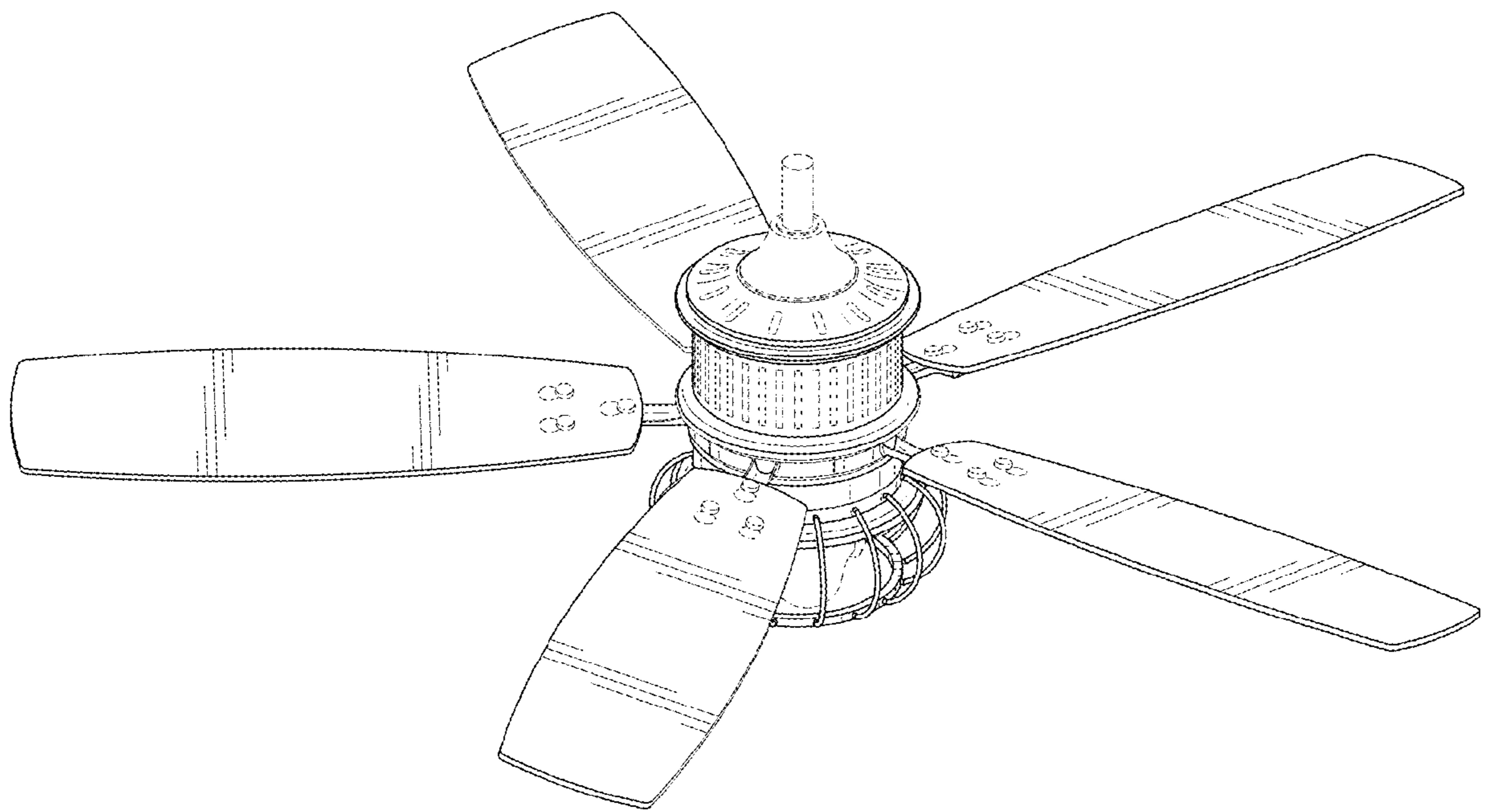


FIG. 1

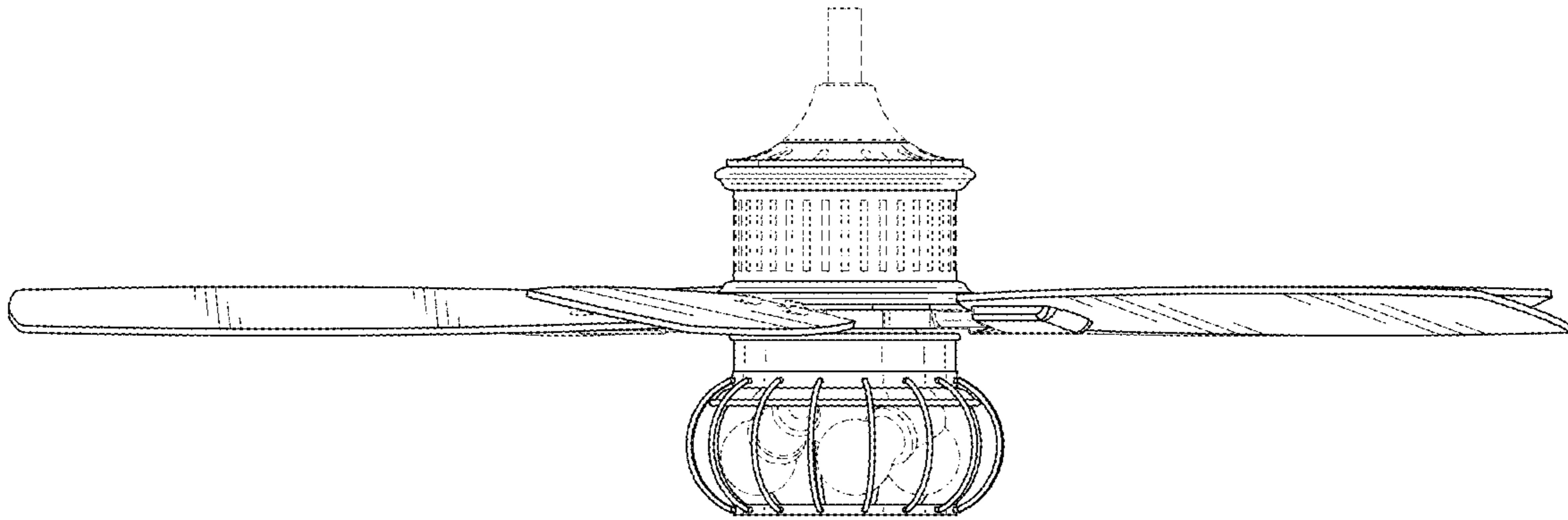


FIG. 2

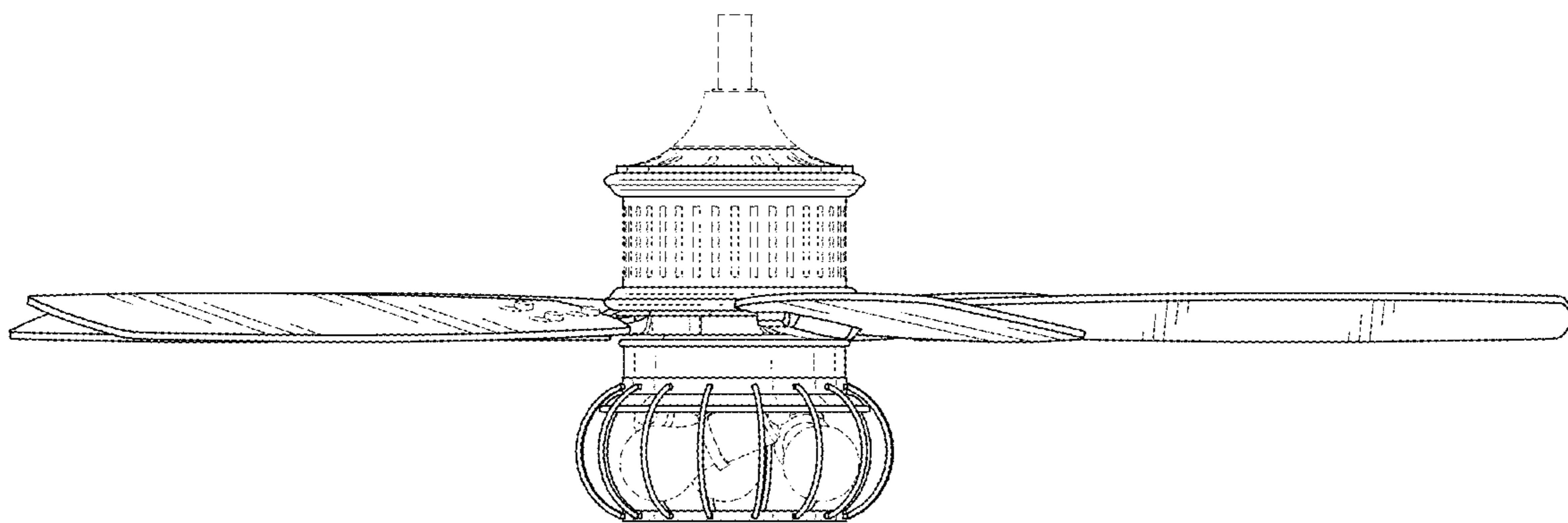


FIG. 3

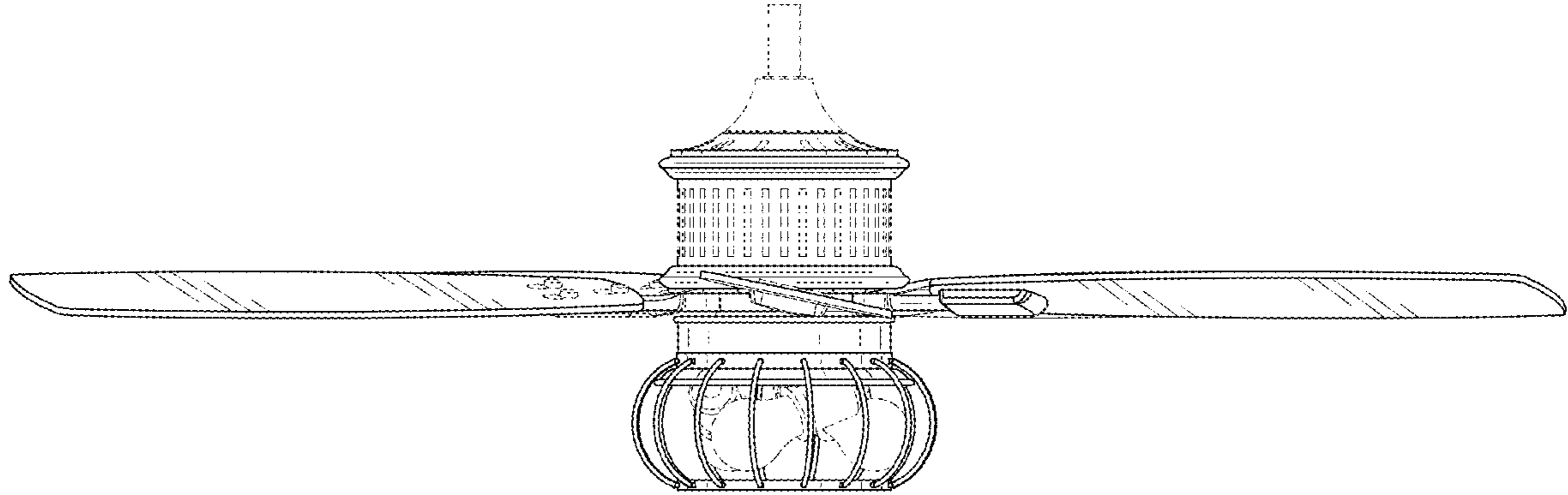


FIG. 4

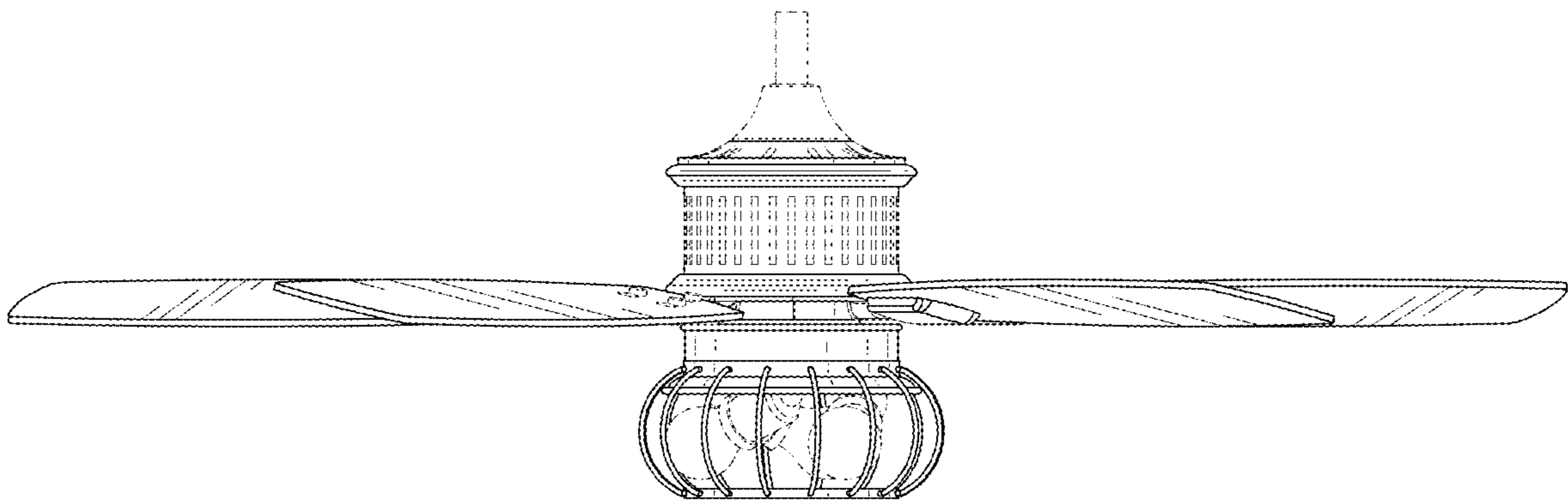


FIG. 5

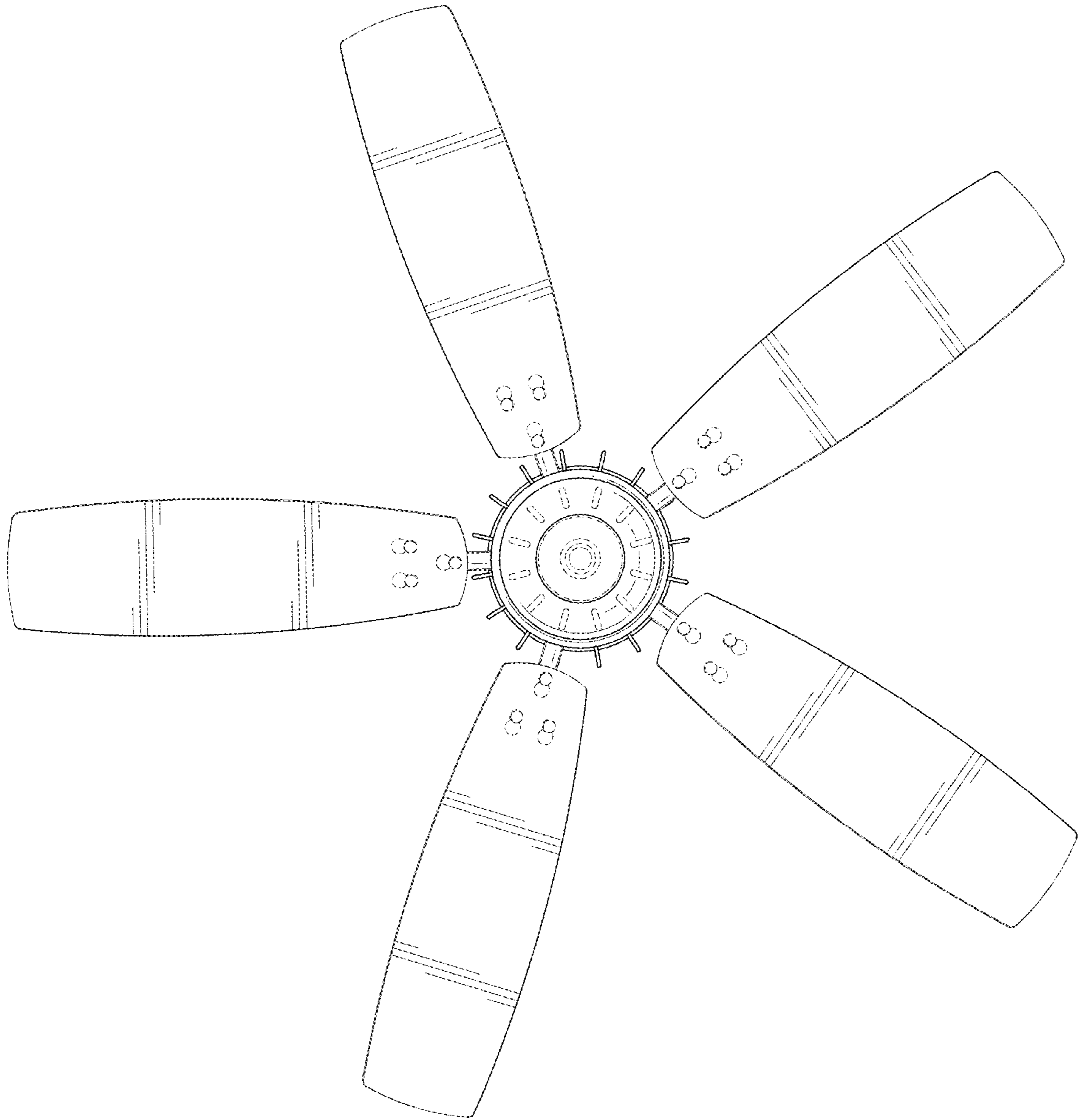


FIG. 6

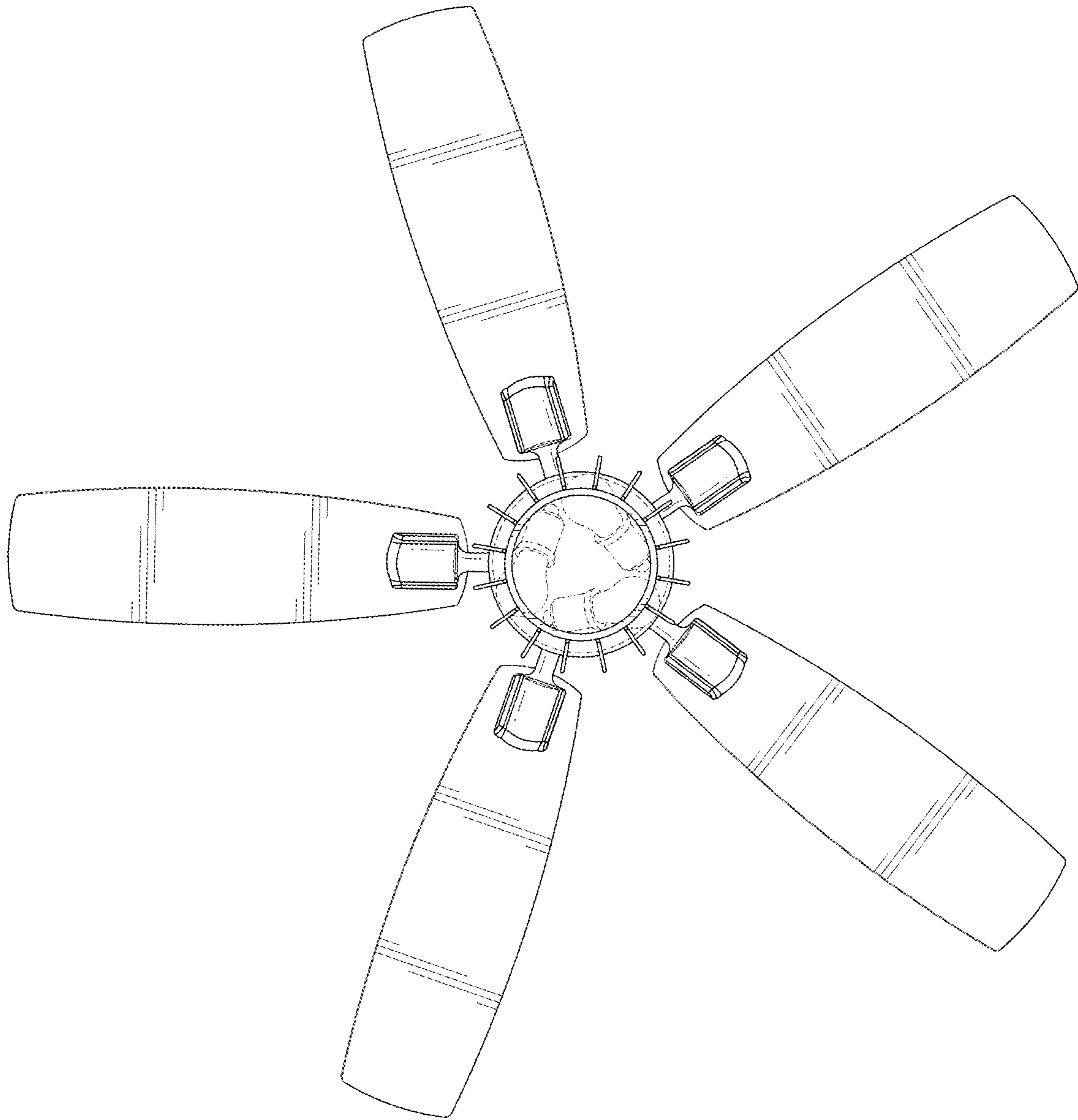


FIG. 7

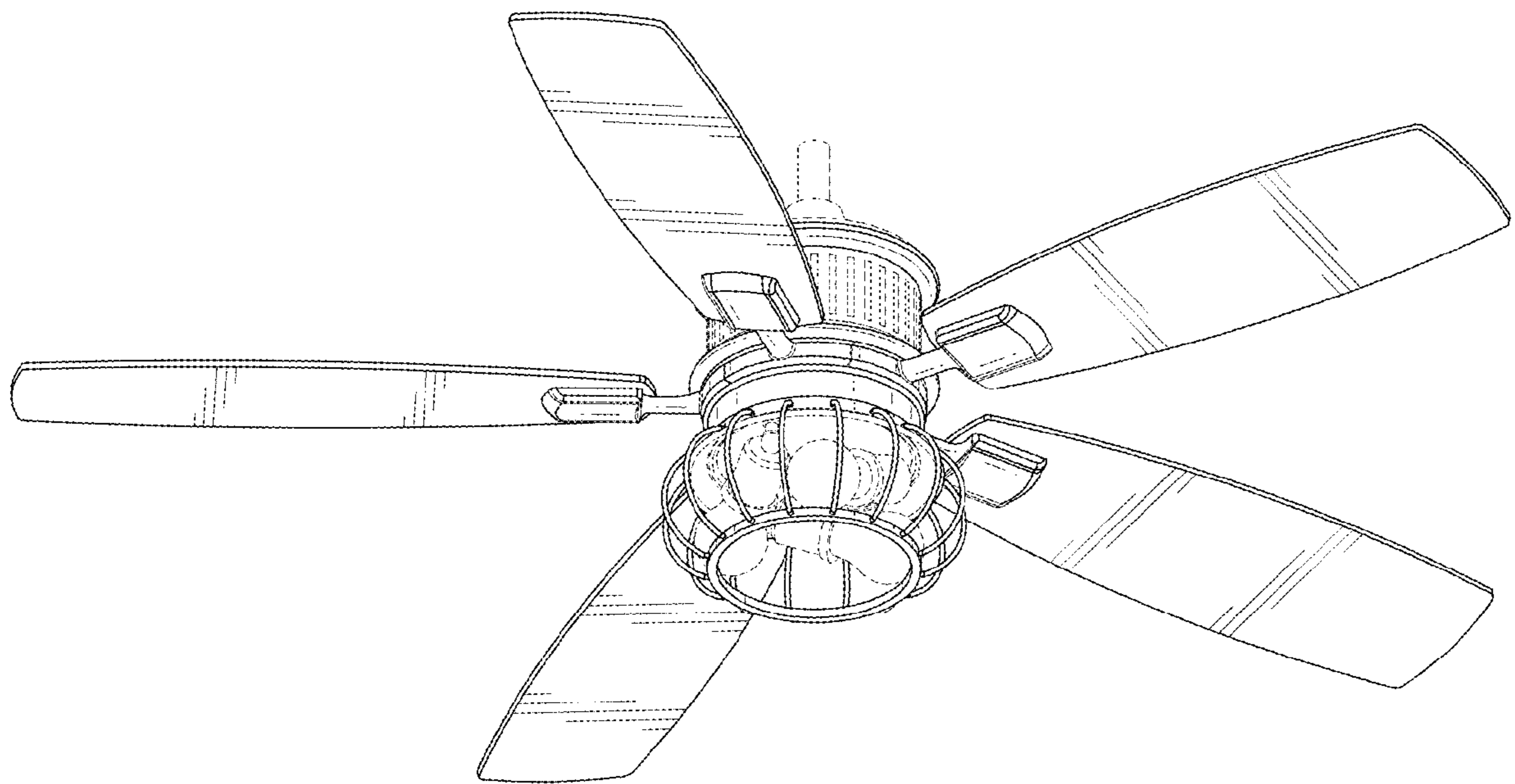


FIG. 8