



US00D873406S

(12) **United States Design Patent** (10) **Patent No.:** **US D873,406 S**  
**McRoberts** (45) **Date of Patent:** **\*\* Jan. 21, 2020**

(54) **CEILING FAN** D706,406 S \* 6/2014 Wang ..... D23/385  
D707,336 S 6/2014 Pan  
D759,799 S 6/2016 Wang  
(Continued)

(71) Applicant: **HUNTER FAN COMPANY,**  
Memphis, TN (US)

(72) Inventor: **Claire Bernice McRoberts,** Memphis,  
TN (US)

(73) Assignee: **Hunter Fan Company,** Memphis, TN  
(US)

(\*\*) Term: **15 Years**

(21) Appl. No.: **29/650,195**

(22) Filed: **Jun. 5, 2018**

(51) **LOC (12) Cl.** ..... **23-04**

(52) **U.S. Cl.**  
USPC ..... **D23/377**

(58) **Field of Classification Search**  
USPC ..... D23/370–385, 411–414; D26/59, 85, 86,  
D26/89, 90  
CPC ..... F04D 25/088; F04D 29/38; F04D 29/384;  
F04D 29/386; F21V 33/0096

See application file for complete search history.

(56) **References Cited**

**U.S. PATENT DOCUMENTS**

D84,930 S *	8/1931	Glatthar	.....	D26/86
D226,217 S *	1/1973	Anderson, Jr.	.....	D26/88
5,151,011 A *	9/1992	Rezek	.....	F04D 25/088 416/5
D346,858 S	5/1994	Lee		
D376,008 S *	11/1996	Chan	.....	D23/377
D377,975 S	2/1997	Young		
D394,103 S *	5/1998	Lee	.....	D23/377
D488,554 S	4/2004	Bacon et al.		
D596,733 S	7/2009	Kihara		
D605,751 S *	12/2009	Yang	.....	D23/377
D607,096 S	12/2009	Searle		
D628,687 S *	12/2010	Yao	.....	D23/377
D628,688 S *	12/2010	Pan	.....	D23/377

**FOREIGN PATENT DOCUMENTS**

AU 2017203518 A1 12/2018

**OTHER PUBLICATIONS**

<http://www.hunterfan.com/Ceiling-Fans/Apex?ModelNumber=59156>, Hunter Apex 54" Ceiling Fan, Brushed Nickel Finish, Model No. 59156, accessed Sep. 8, 2017.

(Continued)

*Primary Examiner* — Cathron C Brooks

*Assistant Examiner* — Sharon S Oum

(74) *Attorney, Agent, or Firm* — McGarry Bair PC

(57) **CLAIM**

The ornamental design for a ceiling fan, as shown and described.

**DESCRIPTION**

FIG. 1 is a top perspective view of a ceiling fan according to my invention;

FIG. 2 is a bottom front perspective view of the ceiling fan of FIG. 1;

FIG. 3 is a top view of the ceiling fan of FIG. 1;

FIG. 4 is a bottom view of the ceiling fan of FIG. 1;

FIG. 5 is a front view of the ceiling fan of FIG. 1;

FIG. 6 is a rear view of the ceiling fan of FIG. 1;

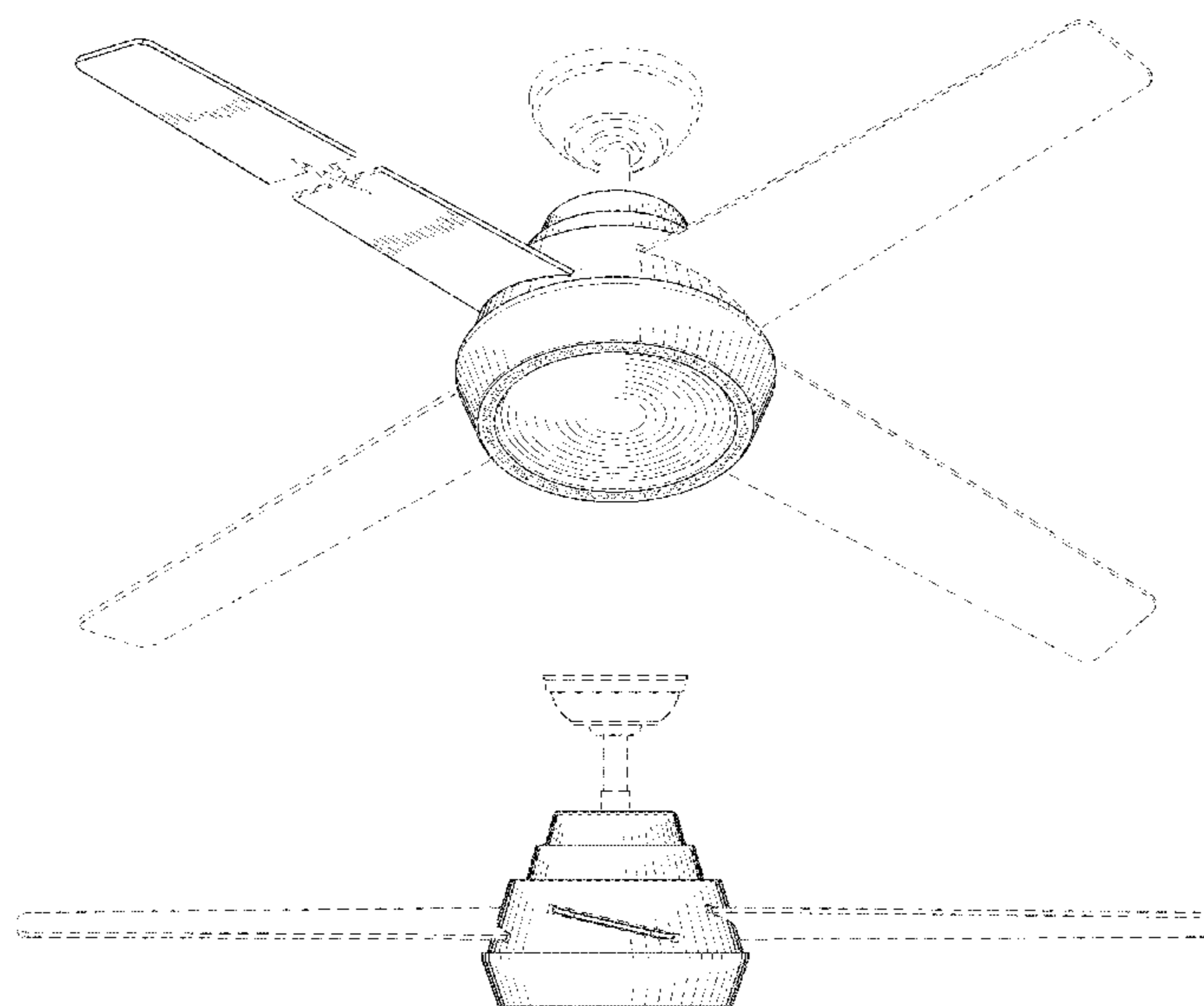
FIG. 7 is a right view of the ceiling fan of FIG. 1; and,

FIG. 8 is a left view of the ceiling fan of FIG. 1.

The broken lines illustrate portions of the ceiling fan that form no part of the claimed design.

The ceiling fan blade is shown with a symbolic break in its length. The appearance of any portion of the ceiling fan blade between the break lines forms no part of the claimed design.

**1 Claim, 8 Drawing Sheets**



(56)

References Cited

U.S. PATENT DOCUMENTS

D770,667 S \* 11/2016 Orozco ..... D26/135  
 D777,312 S 1/2017 Badarello et al.  
 D783,796 S 4/2017 Badarello et al.  
 D784,510 S \* 4/2017 Badarello ..... D23/385  
 D795,412 S 8/2017 Schulzman  
 D797,980 S \* 9/2017 Maxik ..... D26/89  
 D799,020 S \* 10/2017 Guthrie ..... D23/377  
 D800,289 S \* 10/2017 Guthrie ..... D23/377  
 D800,370 S \* 10/2017 Sonneman ..... D26/89  
 D805,175 S \* 12/2017 Haggar ..... D23/377  
 D810,917 S \* 2/2018 Holmes ..... D23/377  
 D819,799 S \* 6/2018 Wang ..... D23/377  
 D822,192 S \* 7/2018 Haggar ..... D23/411  
 D826,395 S \* 8/2018 McRoberts ..... D23/411  
 D827,123 S \* 8/2018 Guthrie ..... D23/411  
 D831,268 S \* 10/2018 Johnson ..... D26/142  
 D849,224 S \* 5/2019 Gardner ..... D23/377  
 D850,602 S \* 6/2019 Flores ..... D23/377  
 D851,232 S \* 6/2019 Schulzman ..... D23/377  
 2005/0214145 A1 \* 9/2005 Grinbergs ..... F04D 17/165  
 417/423.14

OTHER PUBLICATIONS

<http://www.homedepot.com/p/Hampton-Bay-Sussex-II-52-in-Brushed-Nickel-Ceiling-Fan-AL694-BN/203244867>, Hampton Bay Sussex II 52 in. Brushed Nickel Ceiling Fan, Model No. AL694-BN, accessed Sep. 8, 2017.  
<http://www.craftmade.com/tempo-hugger-tmph44>, Craftmade Tempo Hugger 44" Ceiling Fan with Blades and KED Light Kit, Model No. TMPH44, accessed Sep. 8, 2017.

<http://ceilingfans.emerson.com/shop/en/fan/fans-s-emerson-fans/fans-s-contemporary/southtowne-fan-p-cf4900>, Emerxon Southtowne, Vintage Steel Contemporary Ceiling Fan with Light, Model No. CF4900, accessed Sep. 8, 2017.  
<http://www.kichler.com/products/product/42-starkk-led-ceiling-fan-pn-330171pn.aspx>, Kichler Starkk Collection, 42" Starkk LED Ceiling Fan in Polished Nickel, Model No. 330171PN, accessed Sep. 8, 2017.  
<https://www.lightingdirect.com/casablanca-stealth-stealth-54-5-blade-ceiling-fan-blades-and-led-light-kit-included/p2778650>, Casablanca Stealth, Aged Steel 54" 5 Blade Ceiling Fan—Blades and LED Light Kit Included, Model No. 59093, accessed Sep. 8, 2017.  
<http://www.homedepot.com/p/Hunter-Gunnar-54-in-Indoor-Outdoor-Matte-Silver-Ceiling-Fan-59208/206775993>, Hunter Gunnar 54 in. Indoor/Outdoor Matte Silver Ceiling Fan, Model No. 59208, accessed Sep. 8, 2017.  
<http://www.hunterfan.com/Ceiling-Fans/Leoni?ModelNumber=59220>, Hunter Leoni, 48" Bronze/Brown Ceiling Fan, Model No. 59220, accessed Sep. 8, 2017.  
<http://www.fanimation.com/products/index.php/fans/benito.html>, Fanimation Benito, 3 Speed Indoor Ceiling Fan with Remote, Model No. FP8003, accessed Sep. 8, 2017.  
<http://www.montecarlofans.com/50455/56-Vision-Max---Brushed-Steel-3VNMR56BSD.html>, Monte Carlo Vision Max Collection, 56" Vision Max in Brushed Steel, Product No. 3VNMR56BSD, accessed Sep. 8, 2017.  
<http://www.kichler.com/products/product/60-inch-jade-fan-ni-300030ni.aspx>, Kichler Jade Collection, 60 Inch Jade Ceiling Fan in Brushed Nickel, Model No. 300030NI, accessed Sep. 8, 2017.  
<https://protect-us.mimecast.com/s/VVA8Czp5IWCGnKVugiofZ>, Casa Viega, 52" Casa Surveyor Oil-Rubbed Bronze Ceiling Fan.

\* cited by examiner

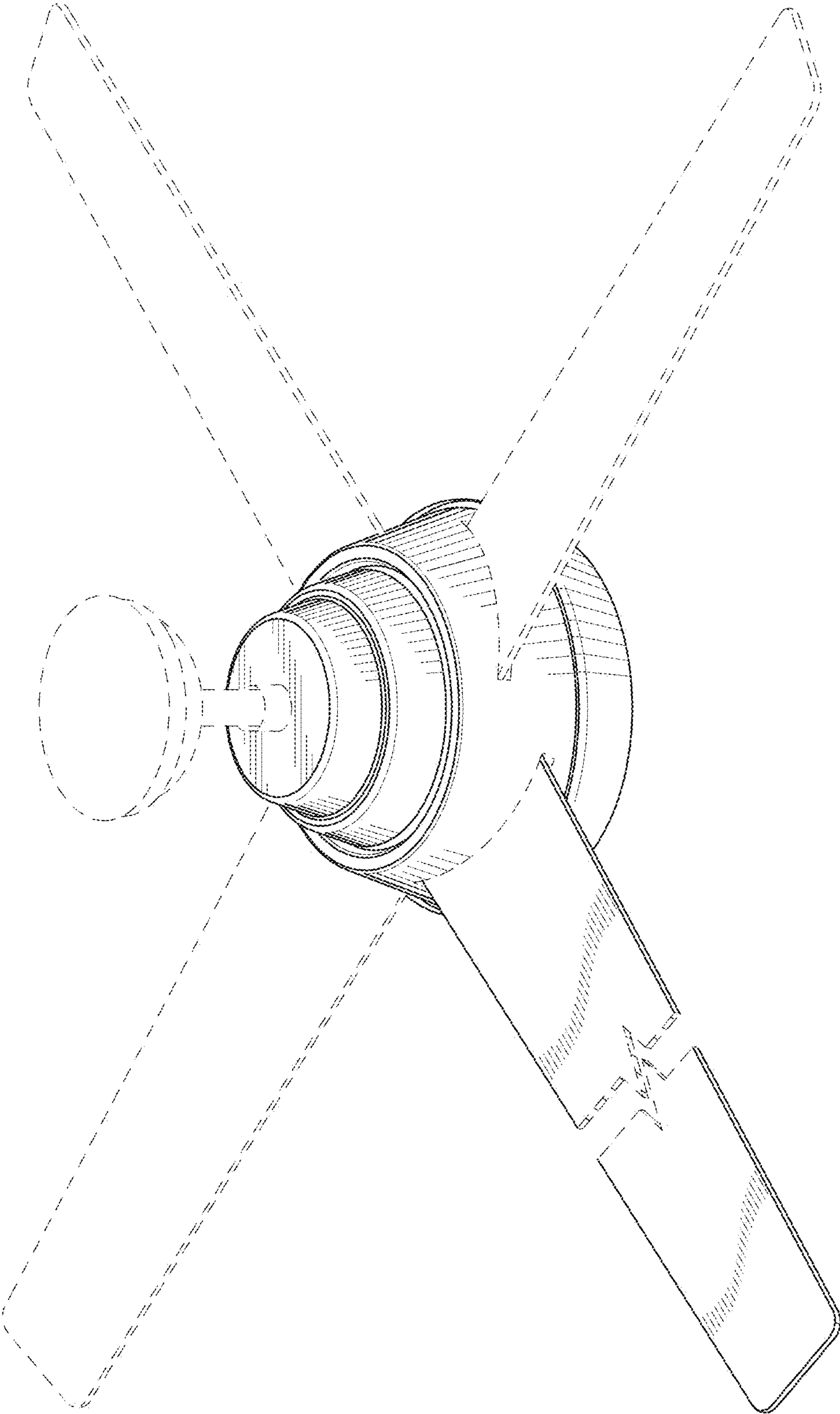


FIG.1

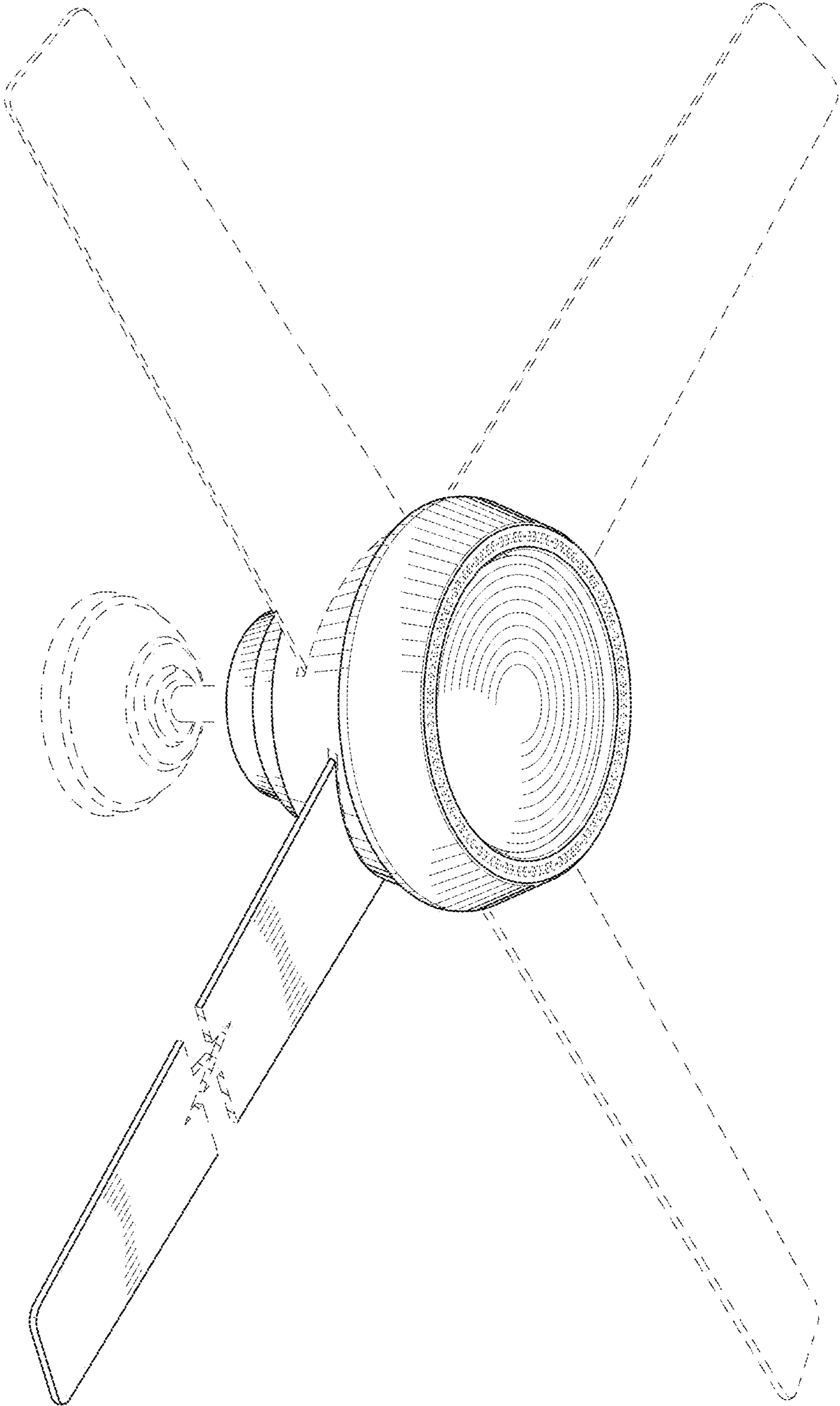


FIG. 2

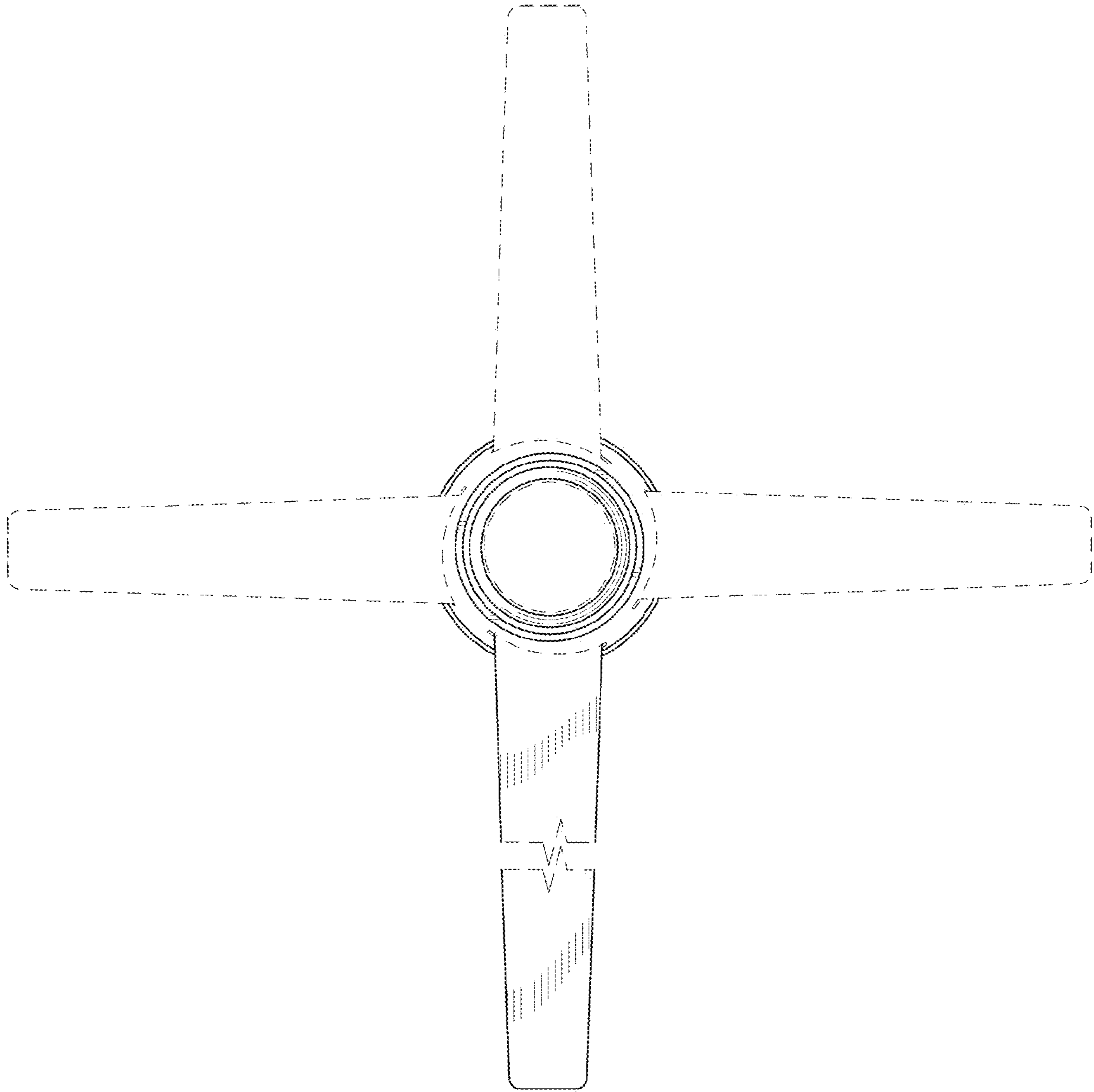


FIG.3

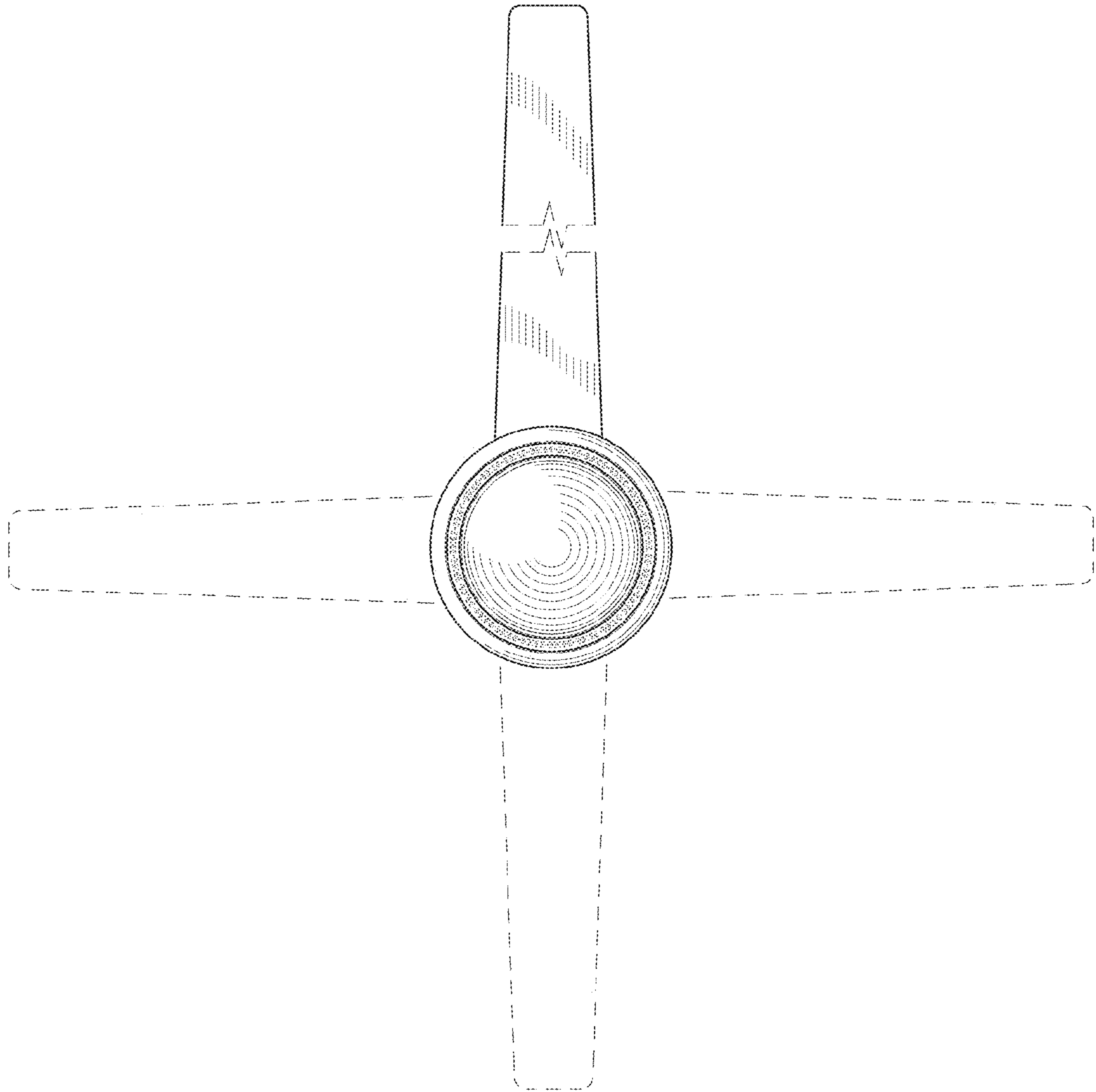


FIG.4

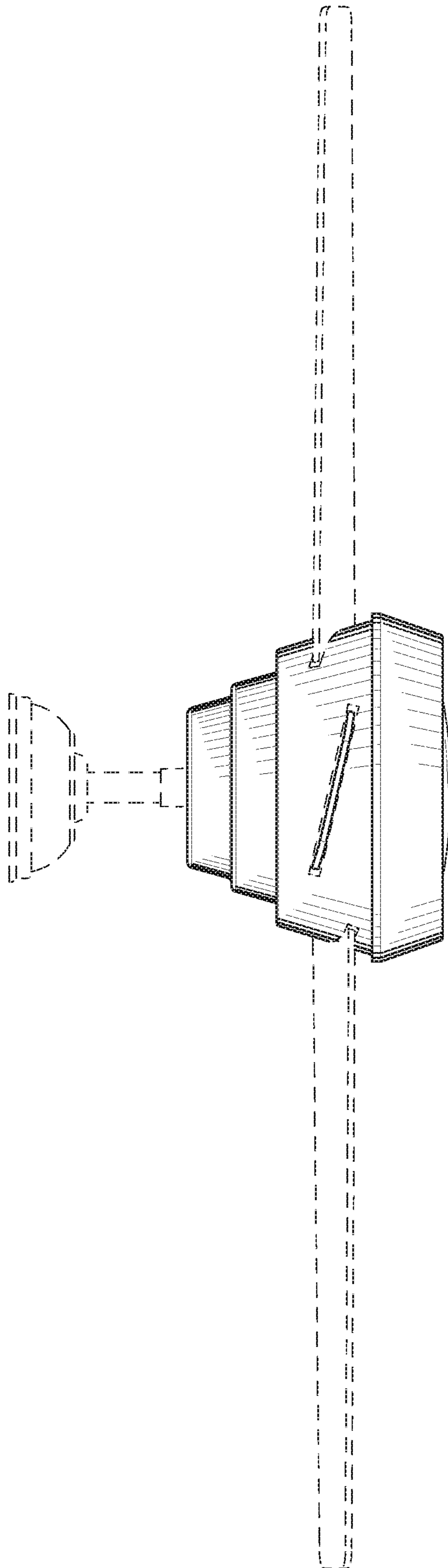


FIG. 5

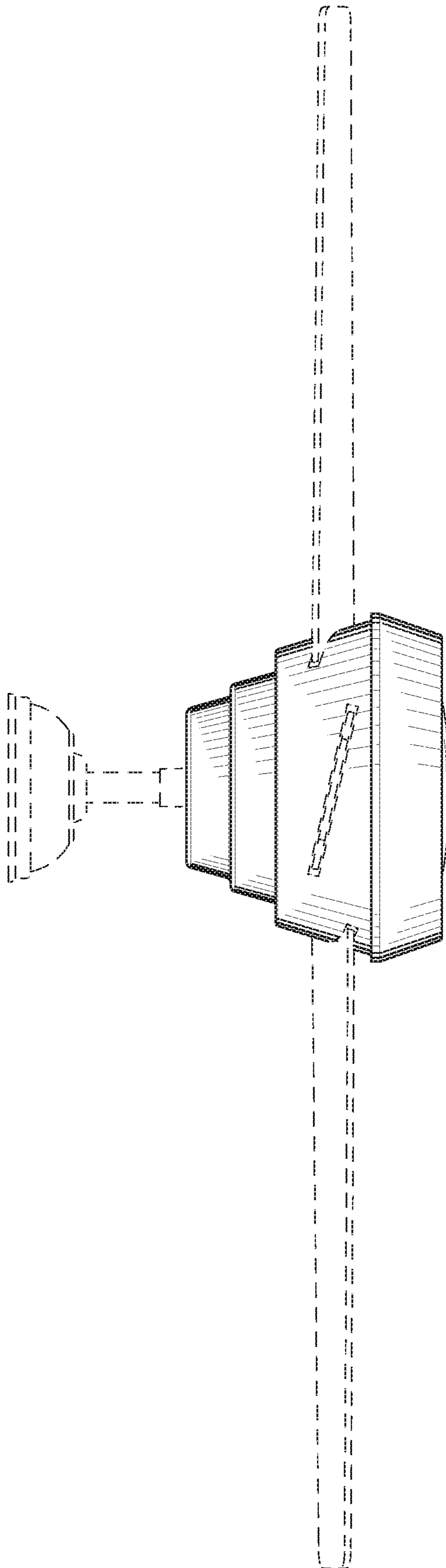


FIG.6



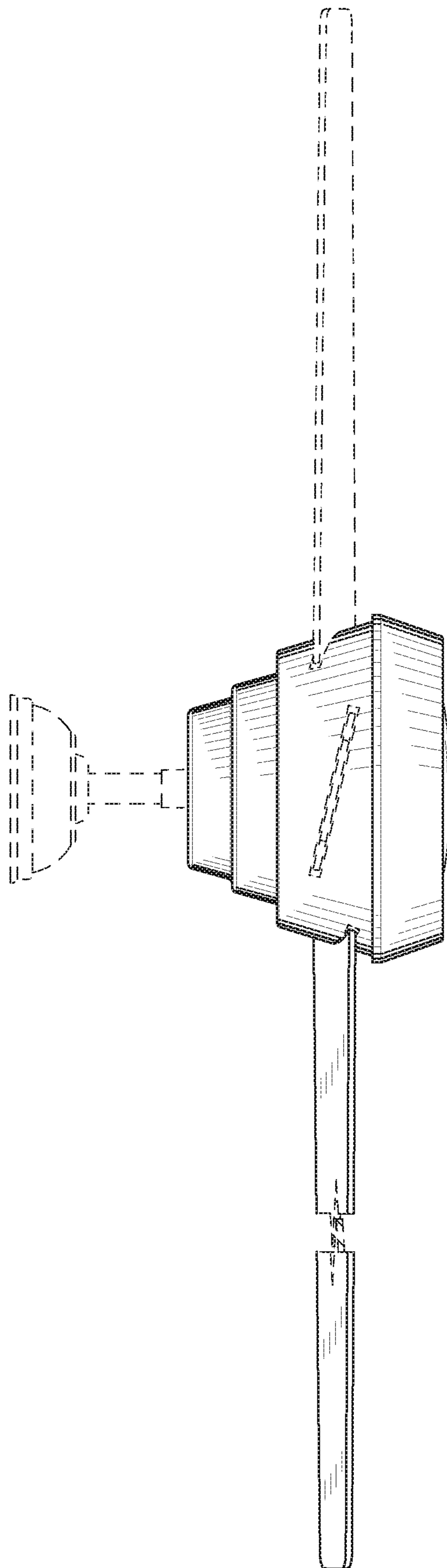


FIG. 7

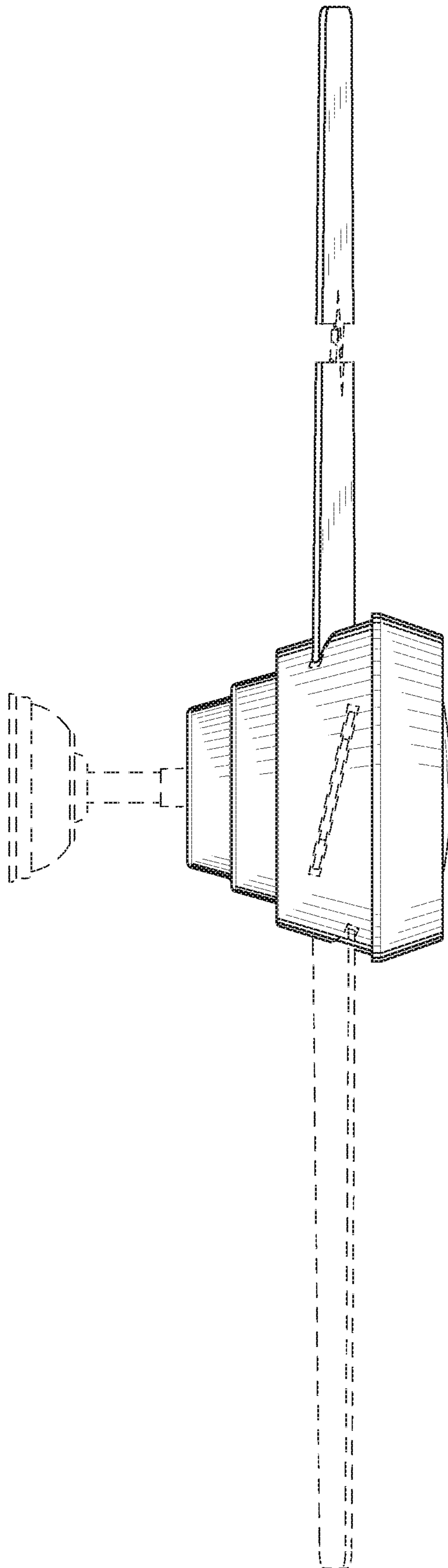


FIG. 8