



US00D873405S

(12) **United States Design Patent** (10) **Patent No.:** **US D873,405 S**
McRoberts (45) **Date of Patent:** **** Jan. 21, 2020**

- (54) **CEILING FAN**
- (71) Applicant: **HUNTER FAN COMPANY**,
Memphis, TN (US)
- (72) Inventor: **Claire Bernice McRoberts**, Memphis,
TN (US)
- (73) Assignee: **Hunter Fan Company**, Memphis, TN
(US)
- (**) Term: **15 Years**
- (21) Appl. No.: **29/650,183**
- (22) Filed: **Jun. 5, 2018**
- (51) **LOC (12) Cl.** **23-04**
- (52) **U.S. Cl.**
USPC **D23/377**
- (58) **Field of Classification Search**
USPC D23/370–385, 411–414; D26/59, 85, 86,
D26/89, 90
CPC F04D 25/088; F04D 29/38; F04D 29/384;
F04D 29/386; F21V 33/0096
See application file for complete search history.

- D517,689 S 3/2006 Tai
 - D524,439 S 7/2006 Tai
 - D527,097 S 8/2006 Ertze
 - D628,687 S 12/2010 Yao
 - D679,795 S * 4/2013 Allen D23/377
 - D706,406 S 6/2014 Wang
- (Continued)

OTHER PUBLICATIONS

<http://www.fanimation.com/products/index.php/fans/berlin.html>,
Fanimation Berlin, Model No. LP8064, accessed Jan. 4, 2018.

(Continued)

Primary Examiner — Cathron C Brooks
Assistant Examiner — Sharon S Oum
(74) *Attorney, Agent, or Firm* — McGarry Bair PC

(57) **CLAIM**

The ornamental design for a ceiling fan, as shown and described.

DESCRIPTION

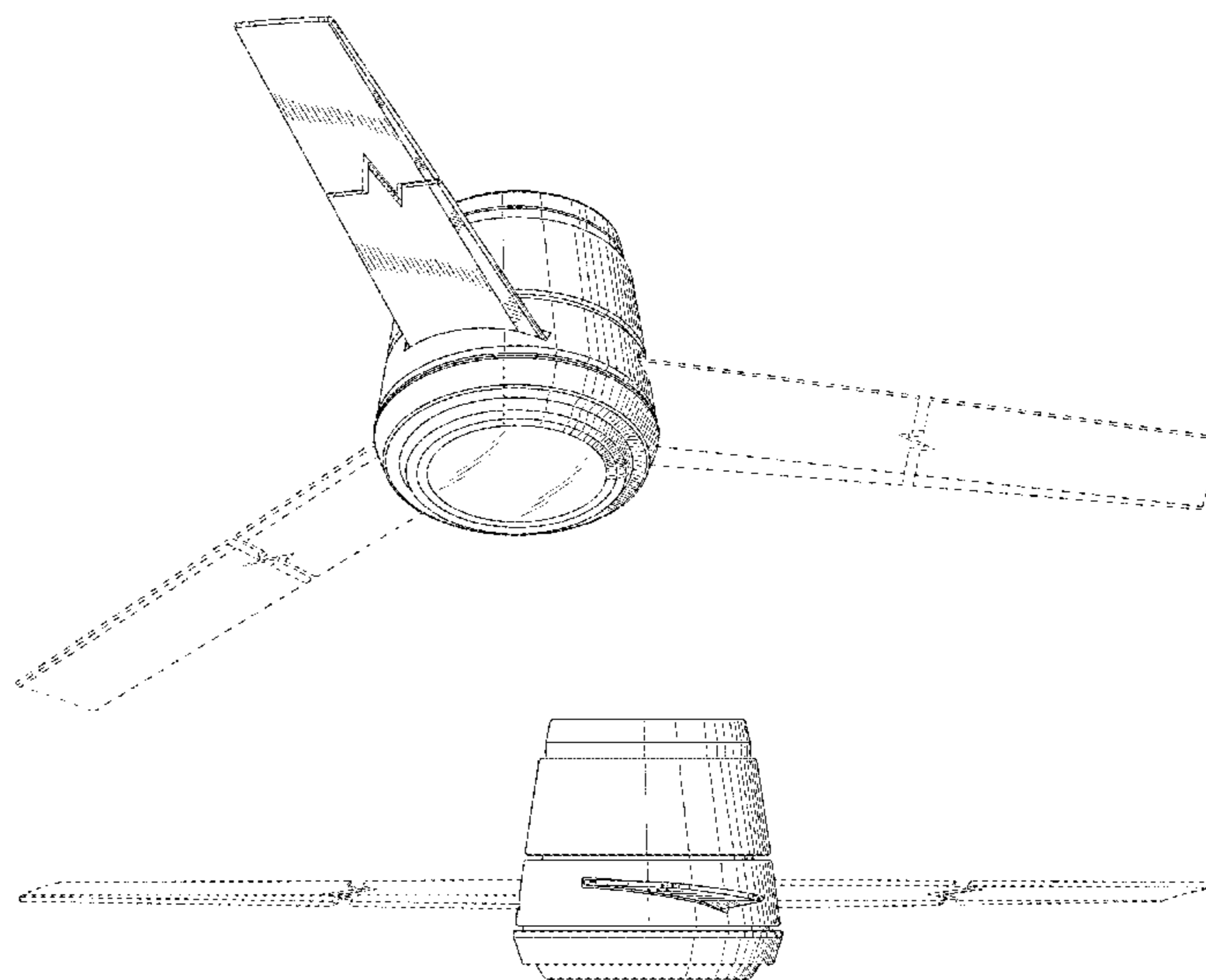
FIG. 1 is a top perspective view of a ceiling fan showing my new design;
FIG. 2 is a bottom perspective view of the ceiling fan of FIG. 1;
FIG. 3 is a top view of the ceiling fan of FIG. 1;
FIG. 4 is a bottom view of the ceiling fan of FIG. 1;
FIG. 5 is a front view of the ceiling fan of FIG. 1;
FIG. 6 is a left side view of the ceiling fan of FIG. 1;
FIG. 7 is a rear view of the ceiling fan of FIG. 1; and,
FIG. 8 is a right side view of the ceiling fan of FIG. 1.
Portions of the ceiling fan shown in broken lines form no part of the claimed design.
The ceiling fan blade is shown with a symbolic break in its length. The appearance of any portion of the ceiling fan blade between the break lines forms no part of the claimed design.

1 Claim, 8 Drawing Sheets

(56) **References Cited**

U.S. PATENT DOCUMENTS

- 5,151,011 A * 9/1992 Rezek F04D 25/088
416/5
- D345,790 S * 4/1994 Caldwell D23/377
- D503,472 S 3/2005 Tai
- D503,473 S 3/2005 Tai
- D503,474 S 3/2005 Tai
- D503,475 S 3/2005 Tai
- D503,476 S 3/2005 Tai
- D503,795 S 4/2005 Tai
- D505,724 S 5/2005 Tai
- D507,644 S 7/2005 Tai
- D516,207 S 2/2006 Tai
- D516,208 S 2/2006 Tai
- D516,711 S 3/2006 Tai
- D517,202 S 3/2006 Tai



(56)

References Cited

U.S. PATENT DOCUMENTS

D707,336	S	*	6/2014	Pan	D23/377
D715,418	S	*	10/2014	Schulzman	D23/377
D744,081	S		11/2015	Wang		
D750,221	S		2/2016	Schulzman		
D759,799	S		6/2016	Wang		
D785,848	S	*	5/2017	Couture	D26/89
D794,768	S	*	8/2017	Wang	D23/377
D796,659	S	*	9/2017	Schulzman	D23/377
D797,980	S	*	9/2017	Maxik	D26/89
D799,661	S	*	10/2017	Holmes	D23/377
D800,289	S	*	10/2017	Guthrie	D23/377
D800,370	S	*	10/2017	Sonneman	D26/89
D800,891	S		10/2017	McRoberts et al.		
D804,629	S	*	12/2017	McRoberts	D23/377
D804,639	S	*	12/2017	Guthrie	D23/377
D805,175	S		12/2017	Haggar		
D819,799	S	*	6/2018	Wang	D23/377
D822,192	S	*	7/2018	Haggar	D23/411
D826,395	S	*	8/2018	McRoberts	D23/411
D831,268	S	*	10/2018	Johnson	D26/142
D850,602	S	*	6/2019	Flores	D23/377
D850,603	S	*	6/2019	Wang	D23/377
D850,605	S	*	6/2019	Ertze	D23/377

OTHER PUBLICATIONS

<https://www.hunterfan.com/ceiling-fans/aker-with-led-light-36-inch-fam812>, Hunter Aker with LED Light 36 Inch, Model No. 59303, accessed Jan. 4, 2018.

<http://kingoffans.com/photos/manuals/137.pdf>, King of Fans, Argenta, Model No. 52-AGT, Instruction Manual—Excel—Lighting & Manufacturing Co, accessed Jan. 4, 2018.

<http://www.minkagroup.net/products/f524-orb>, Minka Roto 52" 3 Blade Ceiling Fan in Oil Rubbed Bronze Finish, Model No. F524-ORD, accessed Jan. 4, 2018.

<http://www.montecarlofans.com/50213/56-Avvo—Grey-3AVOR56GRYD.html>. Monte Carlo Avvo Collection, 56" Ceiling Fan, Product No. 3AVOR56GRYD, accessed Jan. 4, 2018.

<https://www.hunterfan.com/ceiling-fans/parmer-low-profile-with-light-46-inch-fam816>, Hunter Parmer Low Profile with Light 46 Inch, Model No. 59166, accessed Jan. 4, 2018.

<http://www.kichler.com/products/product/56-ellys-ceiling-fan-oz-300239oz.aspx>, Kichler Ellys 56 Ceiling Fan, Model No. 300239OZ, accessed Jan. 4, 2018.

<http://www.minkagroup.net/products/t787-orb>, Minka Simple, 52" 3 Blades Ceiling Fan in Oil Rubbed Bronze Finish, Model No. F787-ORB, accessed Jan. 4, 2018.

<http://www.crompton.co/in/riviera-style/>, Crompton Riviera Style, accessed Jan. 4, 2018.

<https://www.homedepot.com/p/GE-Savanna-52-in-LED-Indoor-Brushed-Nickel-Ceiling-Fan-with-SkyPlug-Technology-21243/304100217>, GE Savanna 5 in. LED Indoor Brushed nickel Ceiling Fan with SkyPlug Technology, Model No. 21243, accessed Jan. 4, 2018.

<https://www.lowes.com/pd/Harbor-Breeze-Mazon-44-in-Brush-Nickel-Integrated-LED-Indoor-Flush-Mount-Ceiling-Fan-with-Light-Kit-and-Remote-3-Blade/1000218321>, Harbor Breeze Mazon 44-in 3-Blade Brush Nickel LED Indoor Flush Mount Ceiling Fan with Light Kit and Remote, Model No. 00724, accessed Jan. 4, 2018.

* cited by examiner

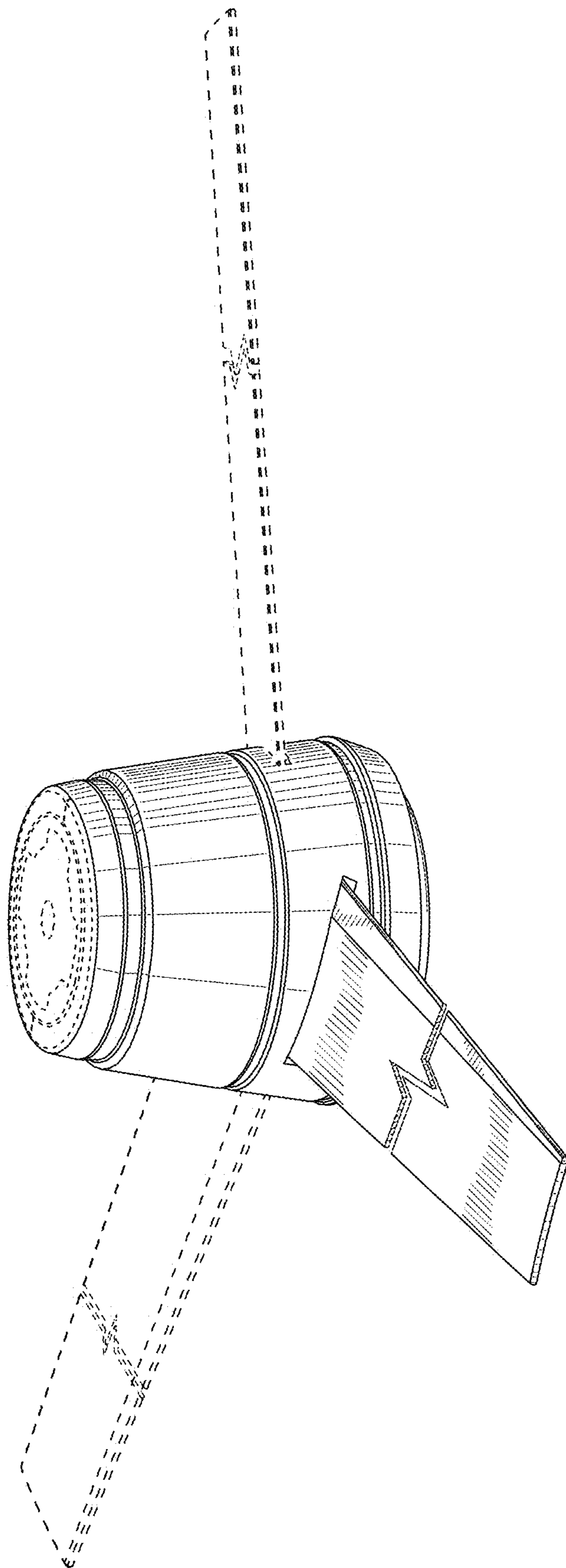


FIG. 1

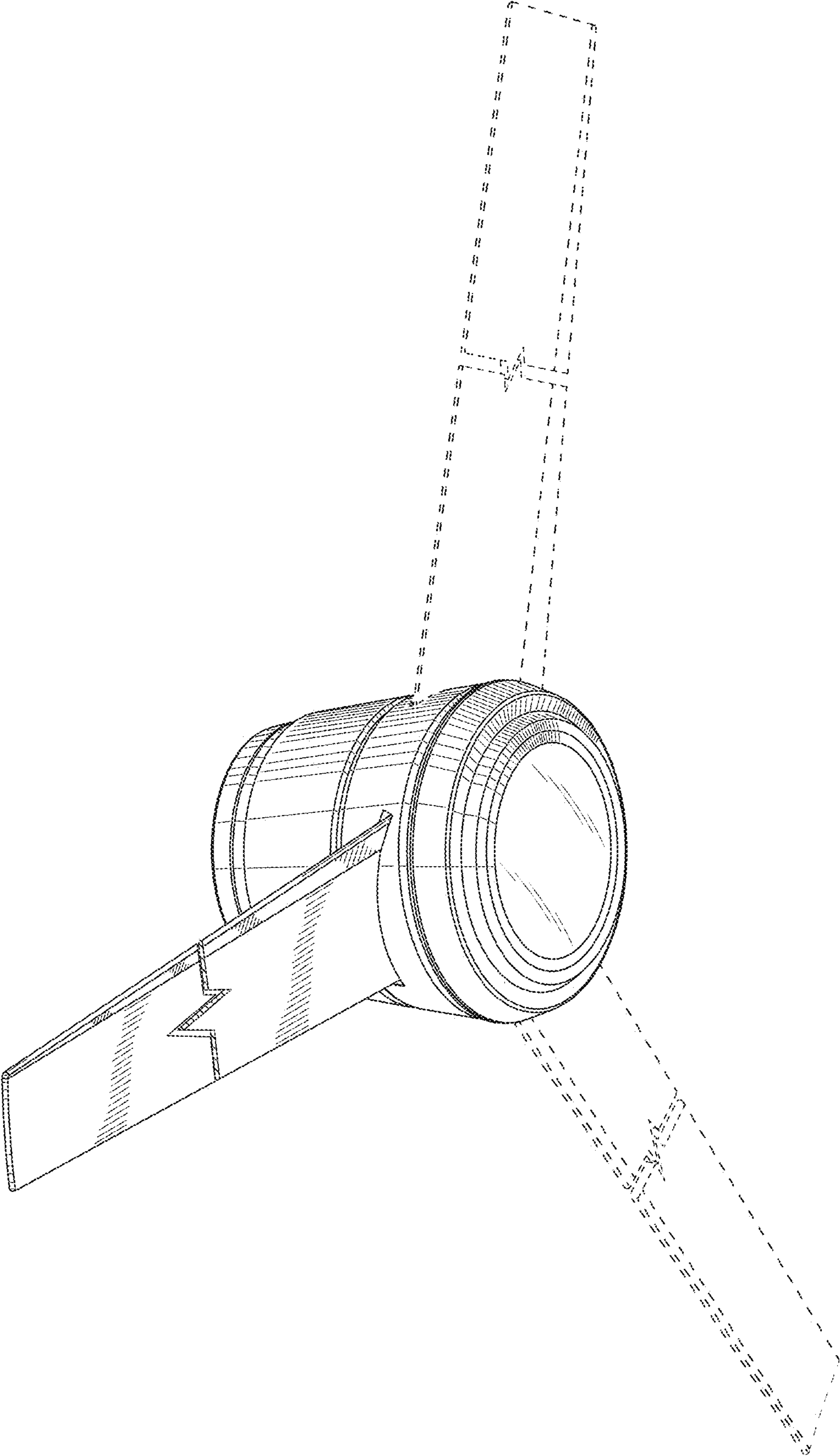


FIG. 2

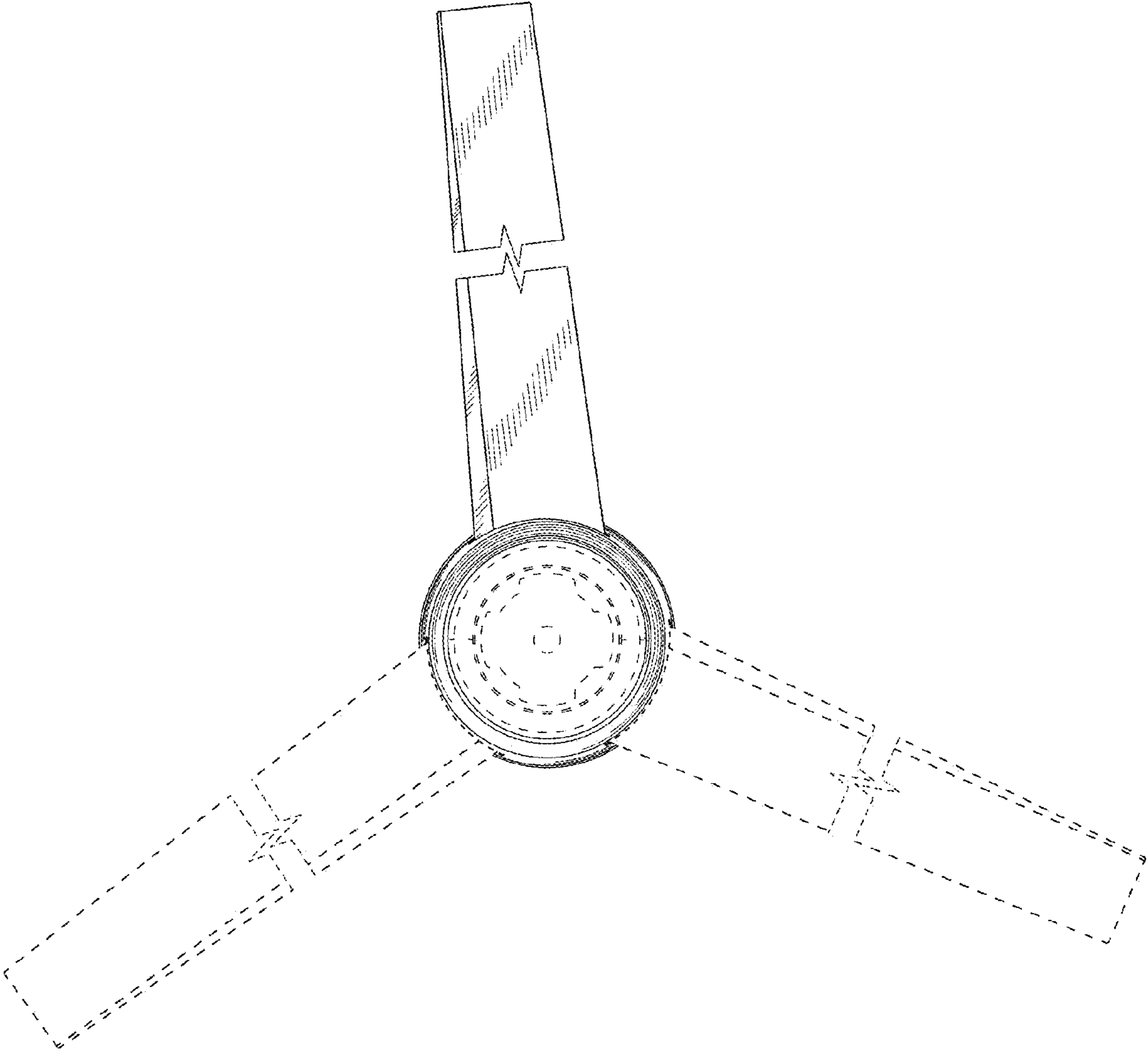


FIG. 3

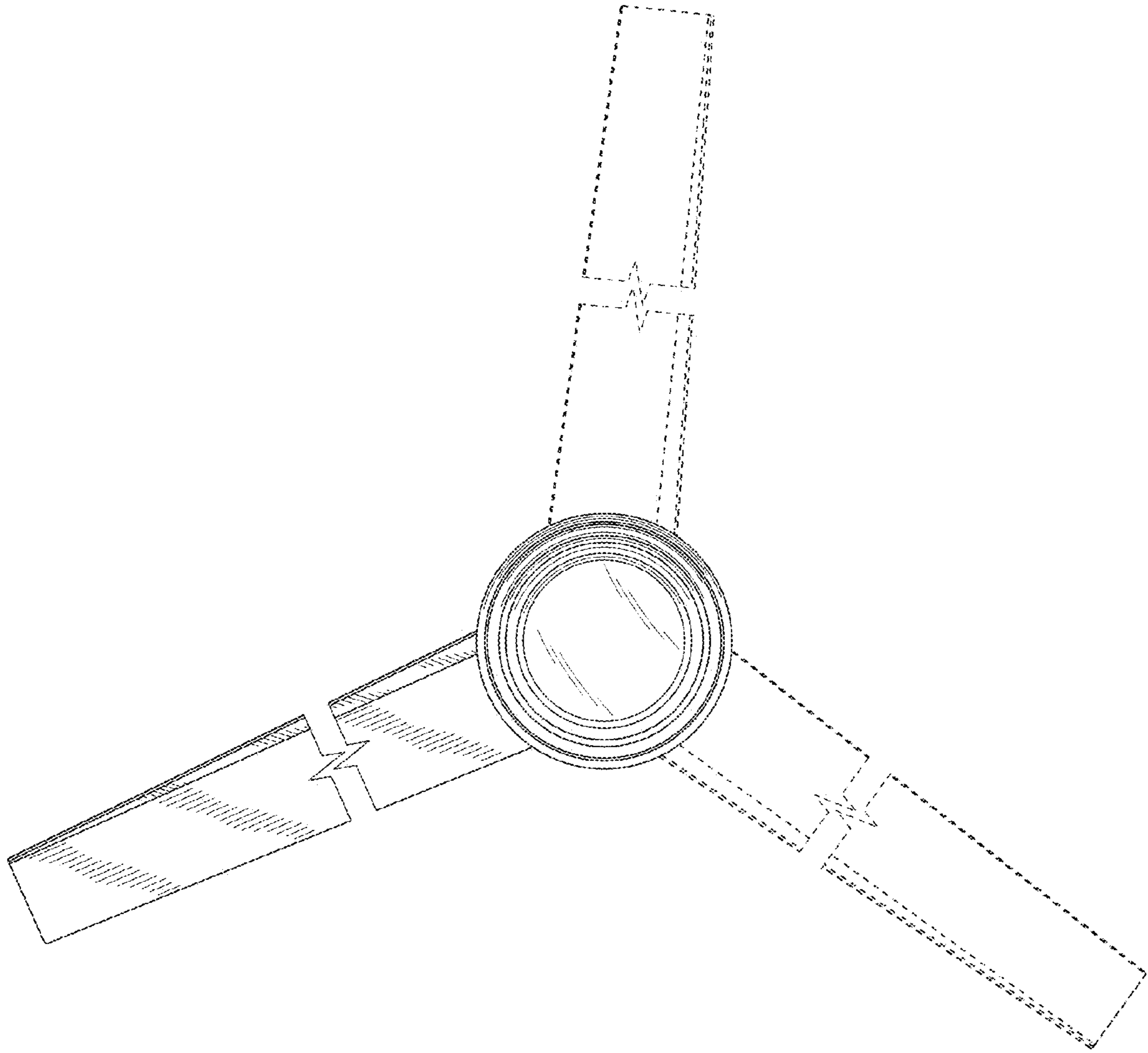


FIG. 4

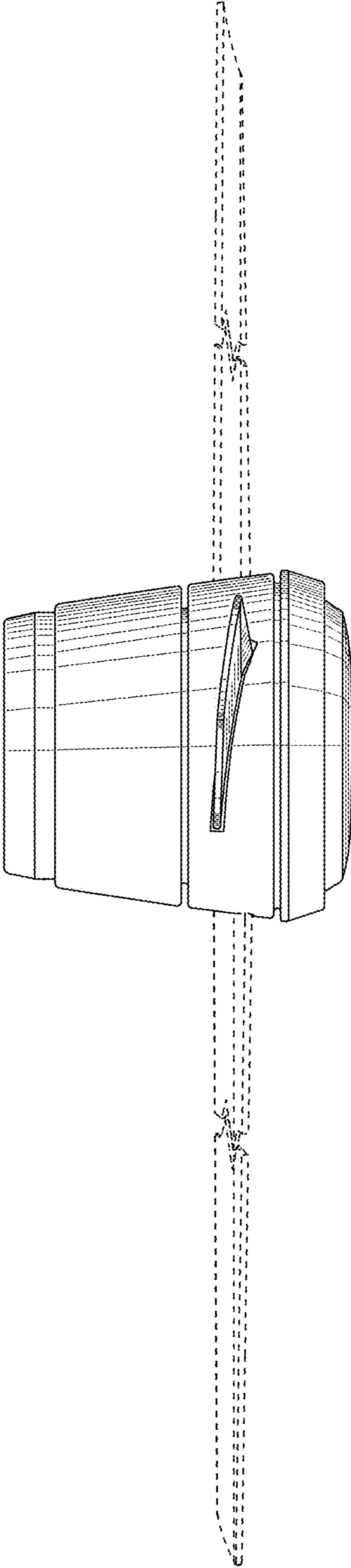


FIG. 5

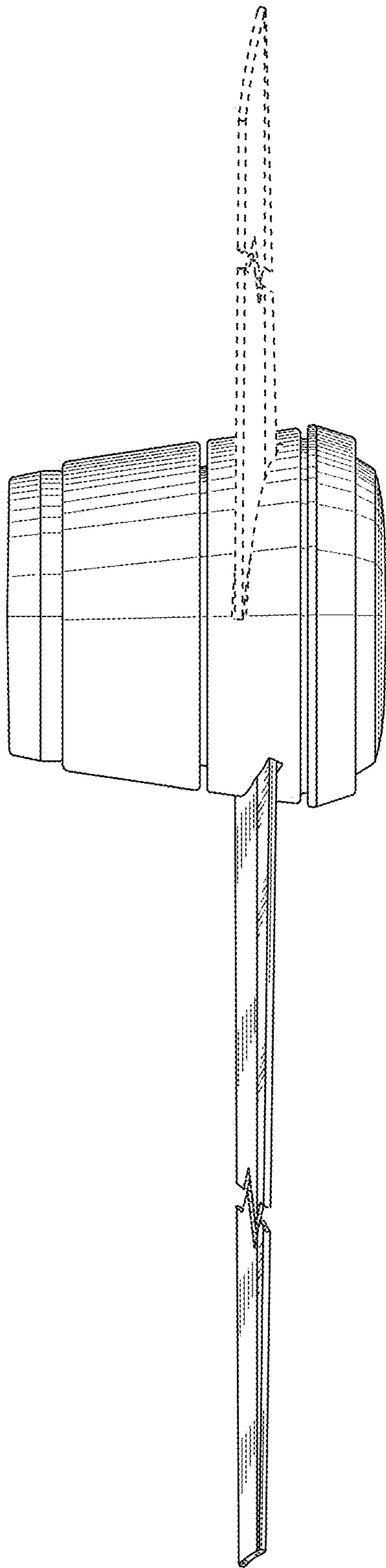


FIG. 6

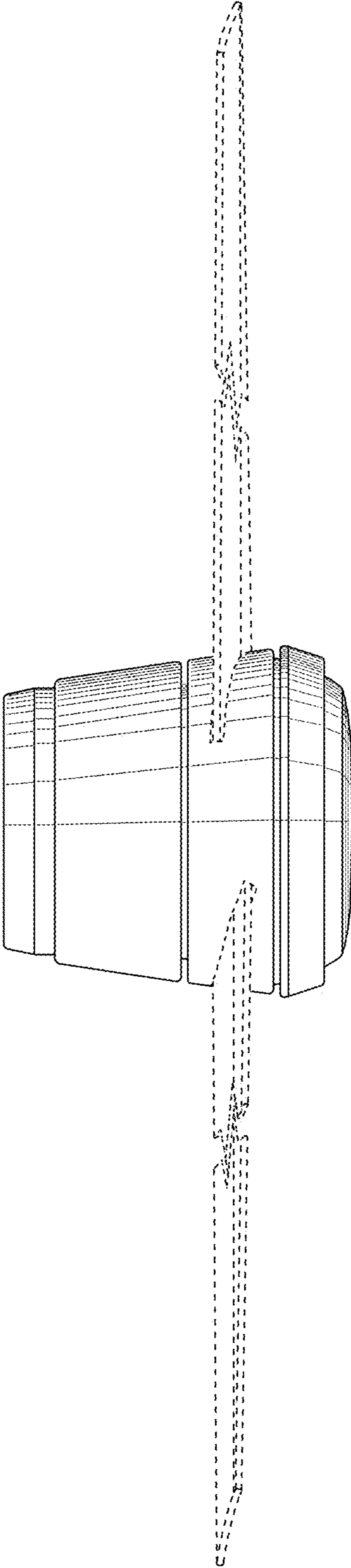


FIG. 7

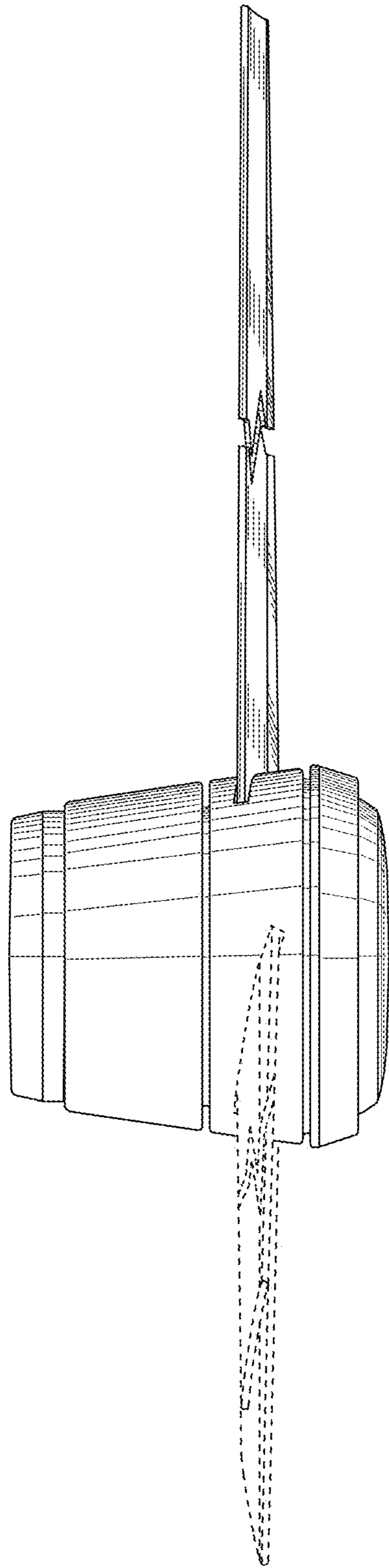


FIG. 8