

US00D873404S

(12) **United States Design Patent**
Biancuzzo

(10) **Patent No.:** **US D873,404 S**
(45) **Date of Patent:** **** Jan. 21, 2020**

- (54) **CEILING FAN**
- (71) Applicant: **AIR COOL INDUSTRIAL CO., LTD.**, Taichung (TW)
- (72) Inventor: **Francisco Biancuzzo**, Davie, FL (US)
- (73) Assignee: **AIR COOL INDUSTRIAL CO., LTD.**, Taichung (TW)
- (**) Term: **15 Years**
- (21) Appl. No.: **29/631,253**
- (22) Filed: **Dec. 28, 2017**
- (51) **LOC (12) Cl.** **23-04**
- (52) **U.S. Cl.**
USPC **D23/377**
- (58) **Field of Classification Search**
USPC D23/370–385, 411–414; D26/59, 85, 86,
D26/89, 90, 88, 110
CPC F04D 25/088; F04D 29/38; F04D 29/384;
F04D 29/386; F21V 33/0096
See application file for complete search history.

(56) **References Cited**

U.S. PATENT DOCUMENTS

- 2,011,821 A * 8/1935 Meyer B63H 1/26
416/223 R
- 2,022,417 A * 11/1935 Gilbert F04D 29/325
416/95
- 2,058,122 A * 10/1936 Assala B64C 11/16
416/94
- D113,347 S * 2/1939 Funk D23/413
- 2,212,041 A * 8/1940 Pfautsch F04D 29/386
416/238
- 2,253,066 A * 8/1941 Dowell F04D 29/386
416/238
- D131,699 S * 3/1942 Funk D23/413
- D478,162 S * 8/2003 Collmar D23/377
- D535,387 S * 1/2007 Gajewski D23/413

- D535,388 S * 1/2007 Gajewski D23/413
- D536,083 S * 1/2007 Gajewski D23/377
- D562,215 S * 2/2008 Schulze D12/214
- D570,532 S * 6/2008 Camarota D26/120
- D583,091 S * 12/2008 Benensohn D26/89
- 7,481,626 B2 * 1/2009 Gajewski F04D 25/088
416/204 R
- D596,734 S * 7/2009 Kihara D23/377
- D604,405 S * 11/2009 Searle D23/377
- D607,600 S * 1/2010 Keith D26/104
- D644,316 S * 8/2011 Spaggiari D23/413
- D671,203 S * 11/2012 Wang D23/377
- D671,632 S * 11/2012 Jones D23/411
- D677,611 S * 3/2013 Janecke D12/214
- D700,984 S * 3/2014 Yang D26/59
- D706,919 S * 6/2014 Wang D23/411
- D715,421 S * 10/2014 Schulzman D23/413
- D726,297 S * 4/2015 Liu D23/377

(Continued)

Primary Examiner — Cathron C Brooks

Assistant Examiner — Sharon S Oum

(74) *Attorney, Agent, or Firm* — Pai Patent & Trademark Law Firm; Chao-Chang David Pai

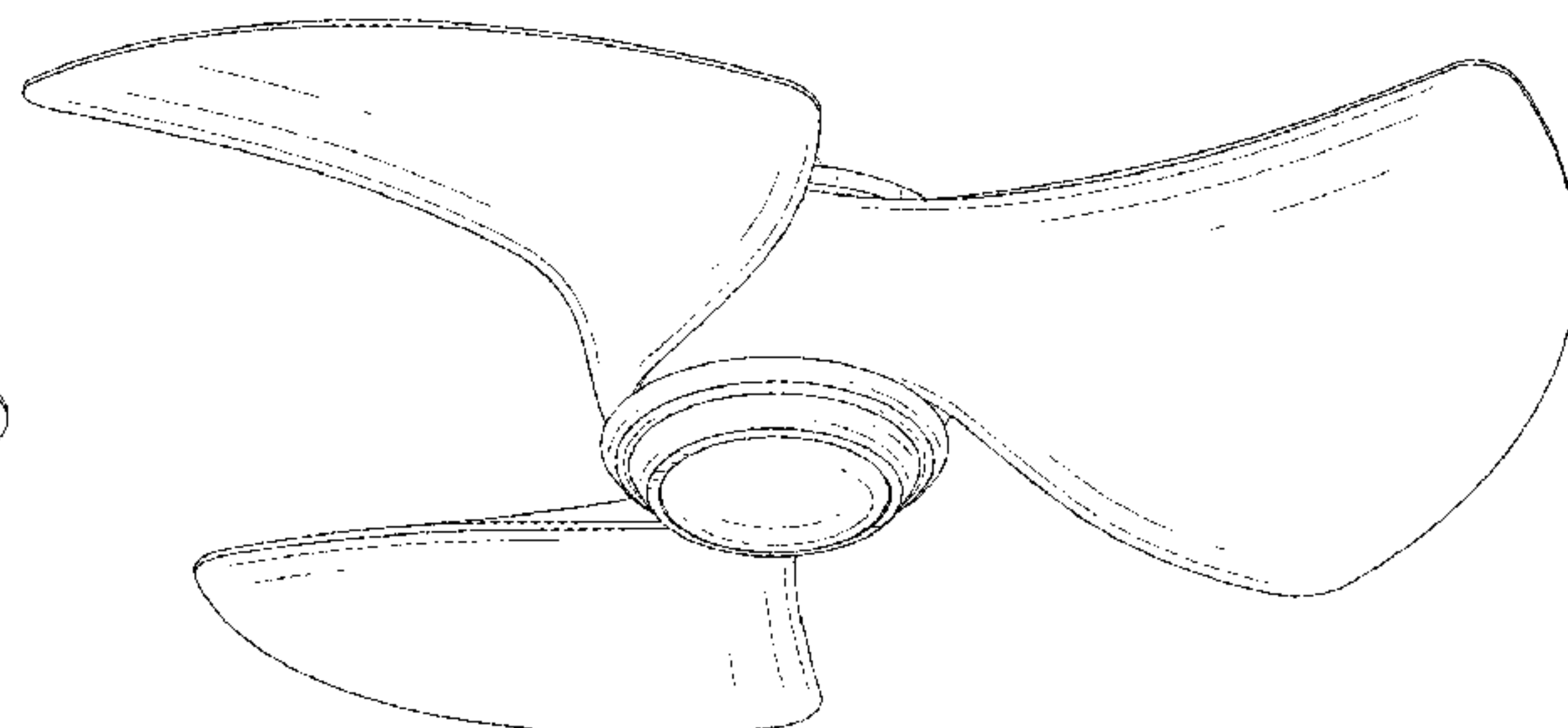
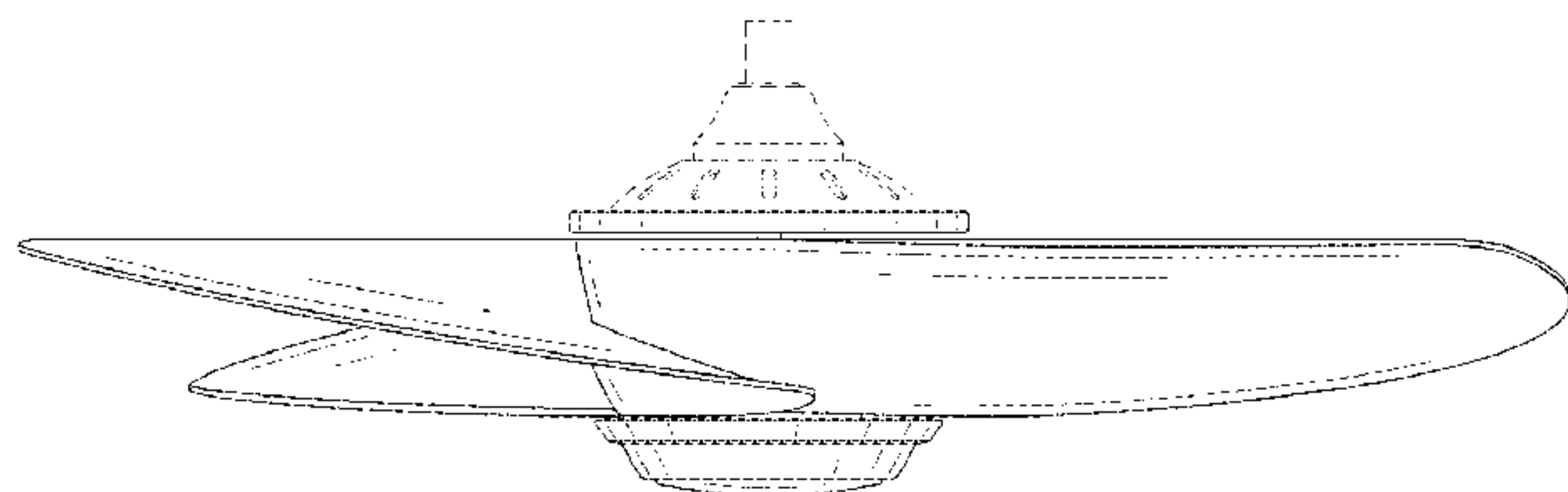
(57) **CLAIM**

The ornamental design for a ceiling fan, as shown and described.

DESCRIPTION

FIG. 1 is a front top perspective view of a ceiling fan showing my new design;
 FIG. 2 is a front elevational view thereof;
 FIG. 3 is a rear elevational view thereof;
 FIG. 4 is a left side elevational view thereof;
 FIG. 5 is a right side elevational view thereof;
 FIG. 6 is a top plan view thereof;
 FIG. 7 is a bottom plan view thereof; and,
 FIG. 8 is a front bottom perspective view thereof.
 The broken lines illustrate portions of the ceiling fan and form no part of the claimed design.

1 Claim, 6 Drawing Sheets



(56)

References Cited

U.S. PATENT DOCUMENTS

D741,470	S	*	10/2015	Ertze	D23/413
D743,528	S	*	11/2015	Wang	D23/411
D744,081	S	*	11/2015	Wang	D23/411
D750,211	S	*	2/2016	Arai	D23/379
D755,947	S	*	5/2016	Arai	D23/379
D773,030	S	*	11/2016	Puerto	D23/377
D780,902	S	*	3/2017	Gajewski	D23/377
9,605,685	B2	*	3/2017	Wang	F04D 29/34
D789,511	S	*	6/2017	Wang	D23/377
D794,768	S	*	8/2017	Wang	D23/377
D797,980	S	*	9/2017	Maxik	D26/89
D799,669	S	*	10/2017	Wang	D23/377
D799,688	S	*	10/2017	Wang	D23/413
D800,288	S	*	10/2017	Jones	D23/377
D800,291	S	*	10/2017	Wang	D23/377
D819,035	S	*	5/2018	Yang	D23/411
D820,970	S	*	6/2018	Badarello	D23/413
D826,629	S	*	8/2018	Andersson	D7/376
D828,535	S	*	9/2018	Searle	D23/377
D829,882	S	*	10/2018	Searle	D23/413
D831,268	S	*	10/2018	Johnson	D26/142
D853,554	S	*	7/2019	Biancuzzo	D23/413
2009/0086474	A1	*	4/2009	Chou	F21S 8/026 362/230

* cited by examiner

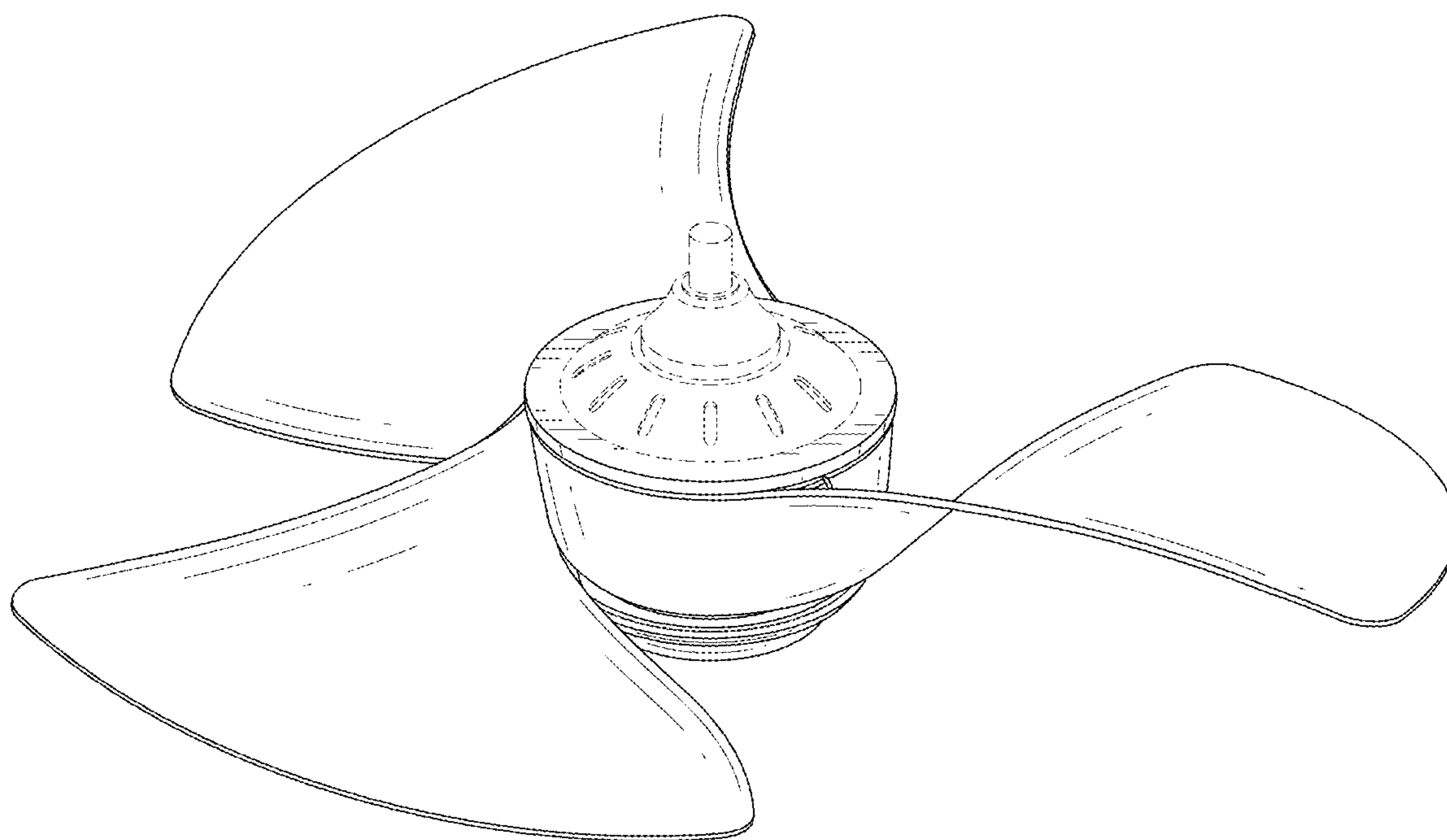


FIG. 1

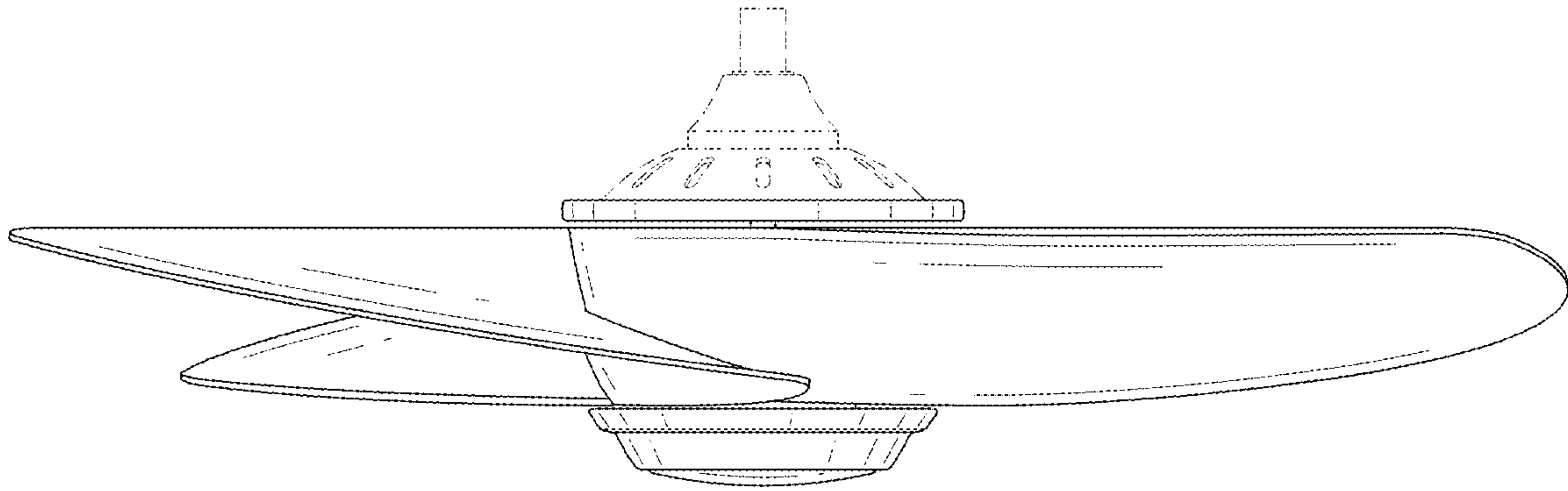


FIG. 2

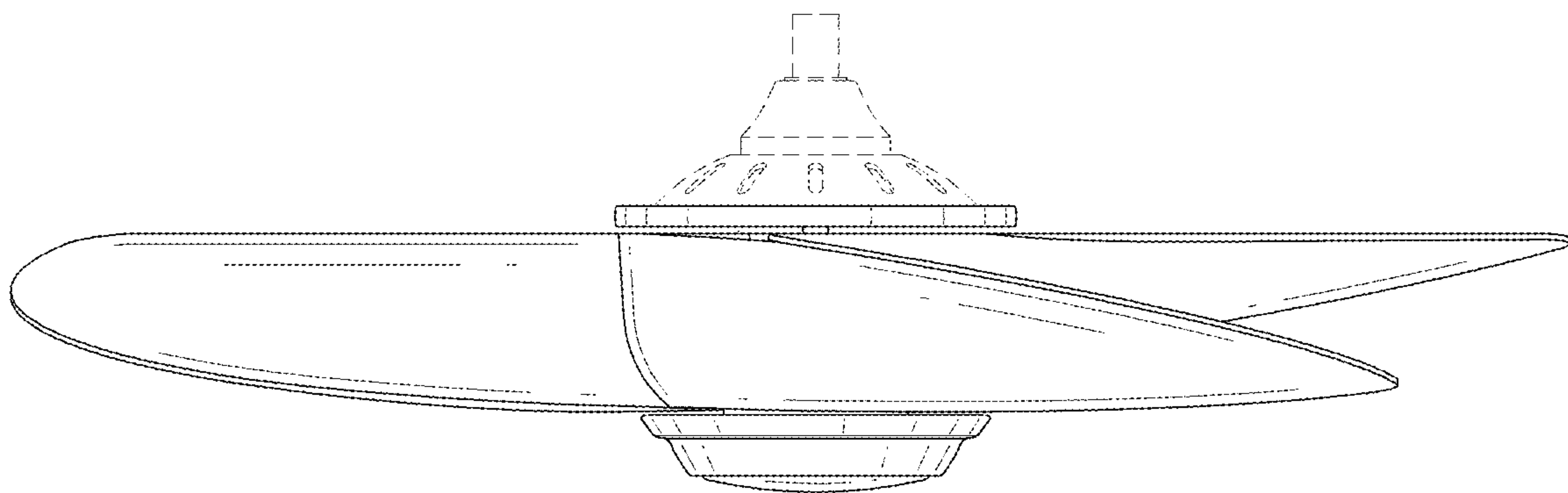


FIG. 3

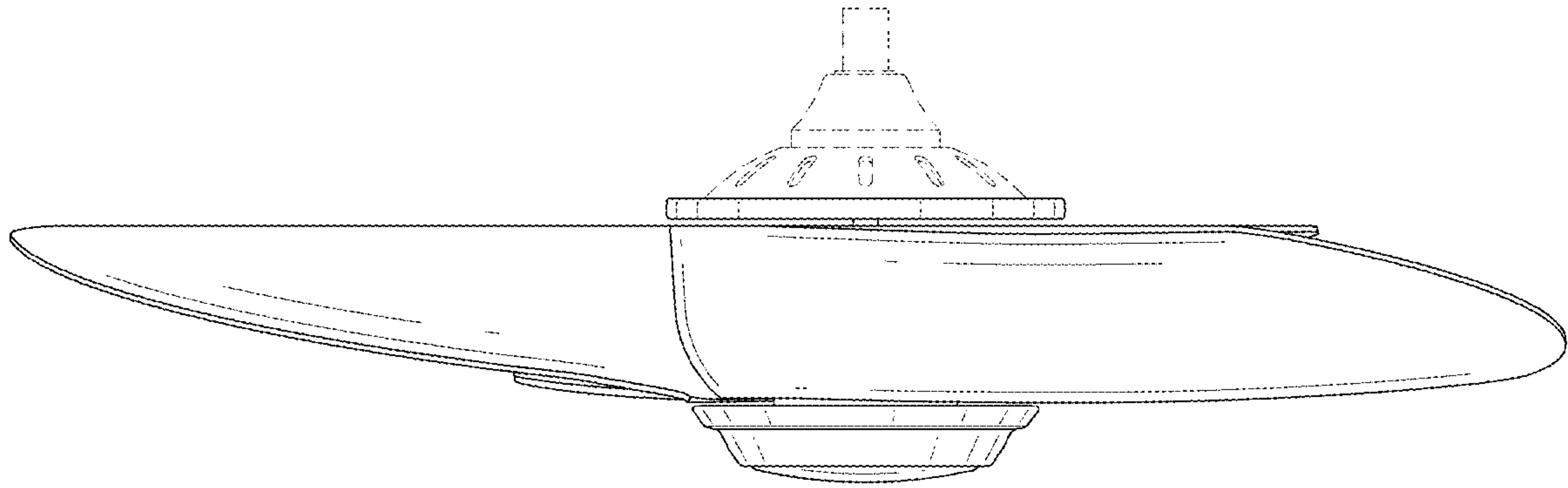


FIG. 4

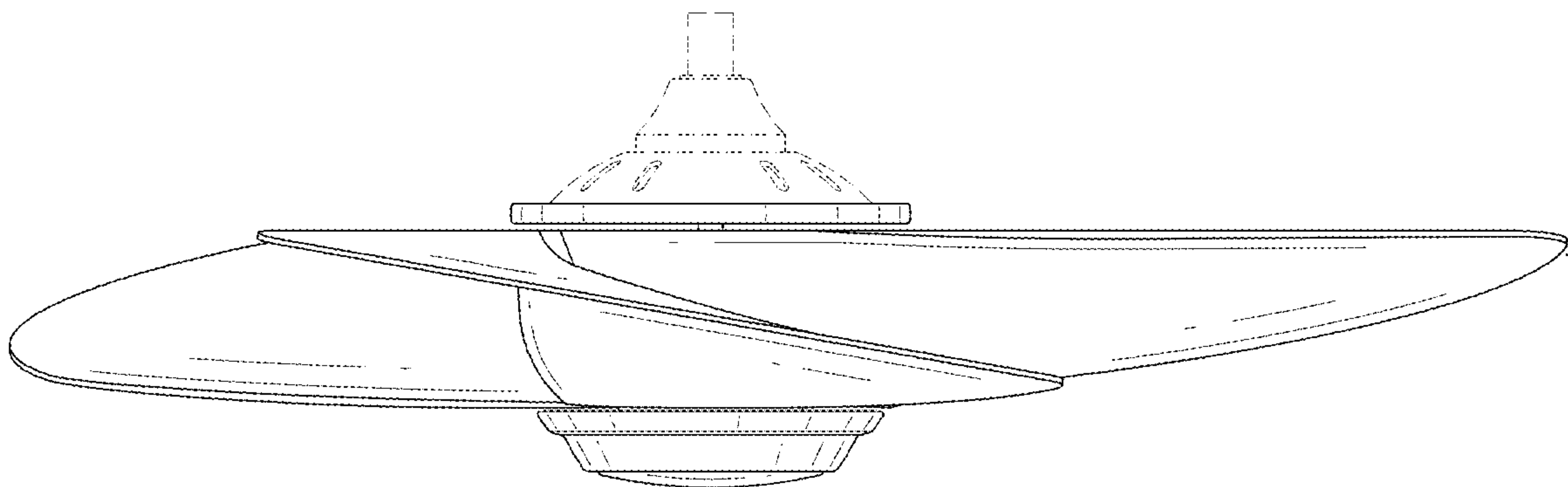


FIG. 5

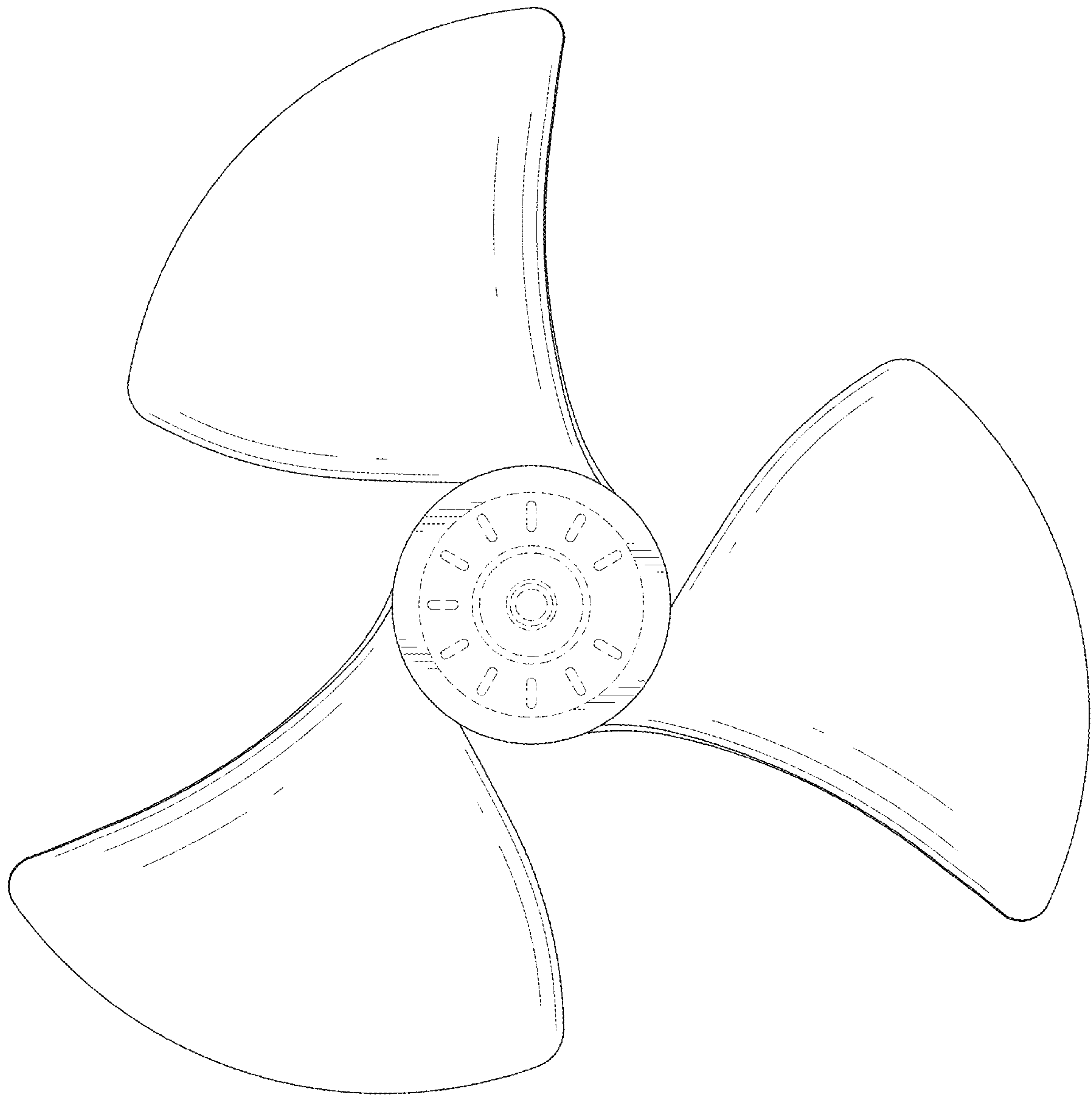


FIG. 6

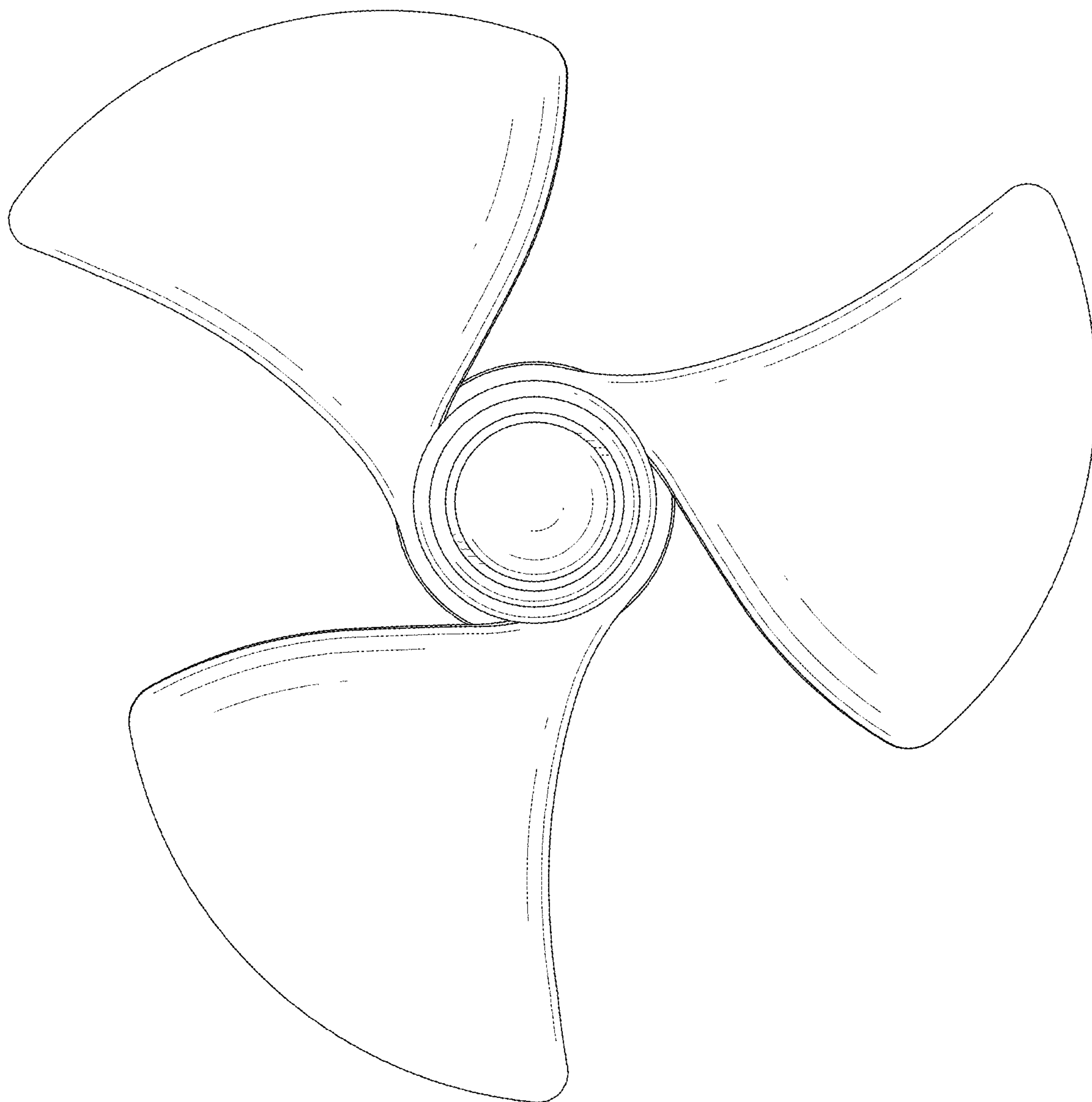


FIG. 7

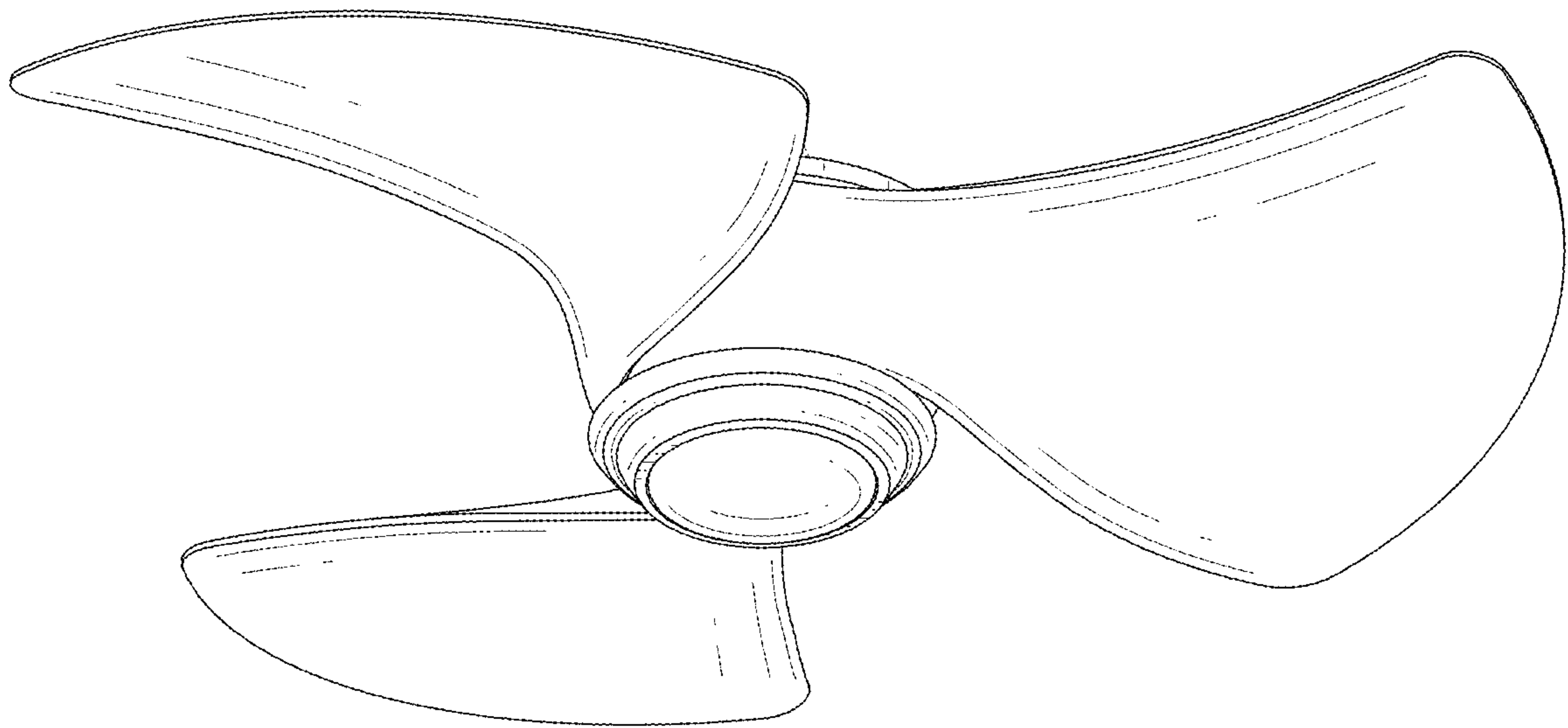


FIG. 8