

US00D873402S

(12) **United States Design Patent**
Brandenburg

(10) **Patent No.:** **US D873,402 S**
(45) **Date of Patent:** **** Jan. 21, 2020**

(54) **AIR FRESHENER CONTAINER AND LID**

(71) Applicant: **Brandywine Product Group International, Inc.**, Wilmington, DE (US)

(72) Inventor: **Kyle Brandenburg**, Middletown, DE (US)

(73) Assignee: **Brandywine Product Group International, Inc.**, Wilmington, DE (US)

(**) Term: **15 Years**

(21) Appl. No.: **29/657,489**

(22) Filed: **Jul. 23, 2018**

(51) **LOC (12) Cl.** **23-04**

(52) **U.S. Cl.**
USPC **D23/366**

(58) **Field of Classification Search**
USPC D23/208, 355–369; D14/209.1, 212–213
CPC A61L 9/02; A61L 9/03; A61L 9/12; A61L 9/035; A61L 9/125
See application file for complete search history.

(56) **References Cited**

U.S. PATENT DOCUMENTS

D491,257 S *	6/2004	Picken, Jr.	D23/366
D606,642 S *	12/2009	Weggelaar	D23/366
D641,464 S	7/2011	DeHaan et al.		
D645,949 S	9/2011	Brandenburg et al.		
D707,805 S *	6/2014	Brewer	D23/366
8,978,999 B2	3/2015	Lesniak et al.		

(Continued)

Primary Examiner — Sheryl Lane

Assistant Examiner — Calvin E Vansant

(74) *Attorney, Agent, or Firm* — Rogowski Law LLC

(57) **CLAIM**

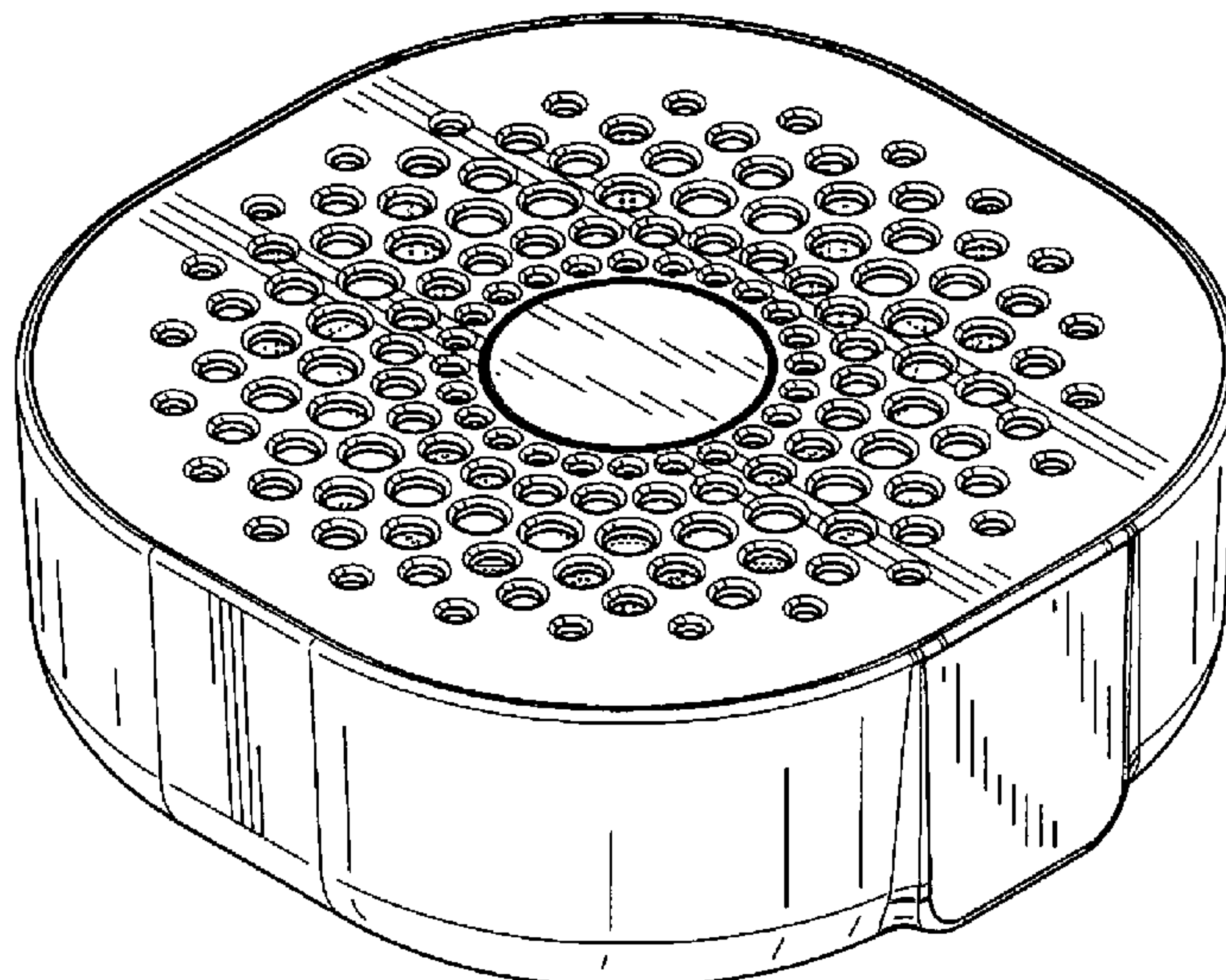
The ornamental design for an air freshener container and lid, as shown and described.

DESCRIPTION

FIG. 1 is a right front perspective view of an air freshener container and lid;
 FIG. 2 is a left bottom perspective view of the air freshener container and lid of FIG. 1;
 FIG. 3 is a top plan view of the air freshener container and lid of FIG. 1;
 FIG. 4 is a bottom plan view of the air freshener container and lid of FIG. 1;
 FIG. 5 is right side elevational view of the air freshener container and lid of FIG. 1;
 FIG. 6 is a left side elevational view of the air freshener container and lid of FIG. 1;
 FIG. 7 is a front elevational view of the air freshener container and lid of FIG. 1;
 FIG. 8 is a rear elevational view of the air freshener container and lid of FIG. 1;
 FIG. 9 is a right front perspective view of an air freshener lid;
 FIG. 10 is a left bottom perspective view of the air freshener lid of FIG. 9;
 FIG. 11 is a top plan view of the air freshener lid of FIG. 9;
 FIG. 12 is a bottom plan view of the air freshener lid of FIG. 9;
 FIG. 13 is a right side elevational view of the air freshener lid of FIG. 9;
 FIG. 14 is a left side elevational view of the air freshener lid of FIG. 9;
 FIG. 15 is a front elevational view of the air freshener lid of FIG. 9; and,
 FIG. 16 is a rear elevational view of the air freshener lid of FIG. 9.

The broken lines showing portions of the air freshener container and lid are included for the purpose of illustrating the portions of the article and form no part of the claimed design.

1 Claim, 8 Drawing Sheets



(56)

References Cited

U.S. PATENT DOCUMENTS

D743,519 S	*	11/2015	Furner	D23/366
D767,108 S		9/2016	Brandenburg	
D798,430 S	*	9/2017	Nord	D23/364
D799,018 S	*	10/2017	Kim	D23/366
D803,073 S	*	11/2017	Ji	D10/52
D817,469 S	*	5/2018	Lane	D23/366
D820,238 S	*	6/2018	Boshernitzan	D14/218
D836,760 S	*	12/2018	Fredang	D23/364
D837,355 S	*	1/2019	Gunnefur	D23/364
D844,765 S	*	4/2019	Zhang	D23/364
D853,547 S	*	7/2019	Avidor	D23/366

* cited by examiner

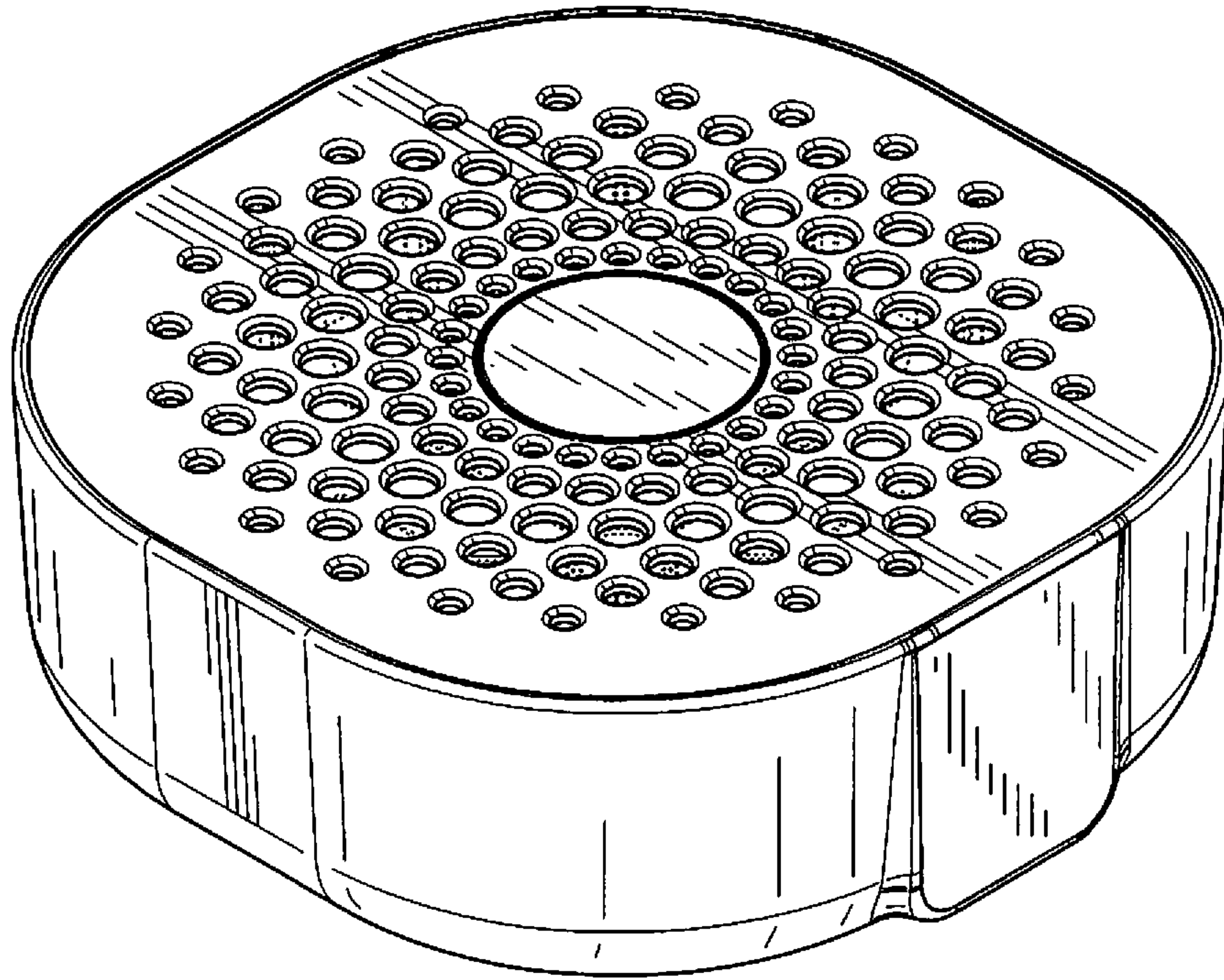


FIG. 1

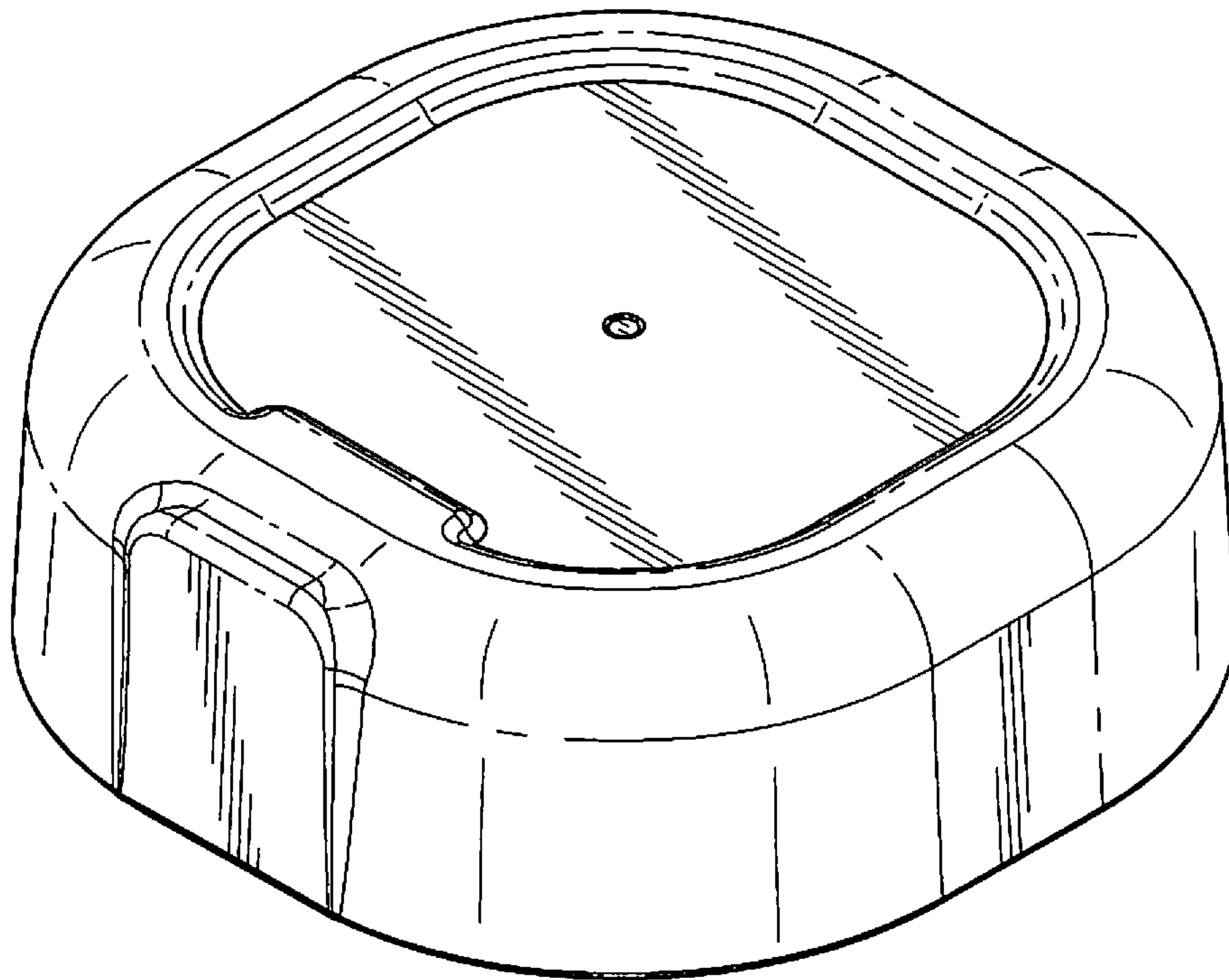


FIG. 2

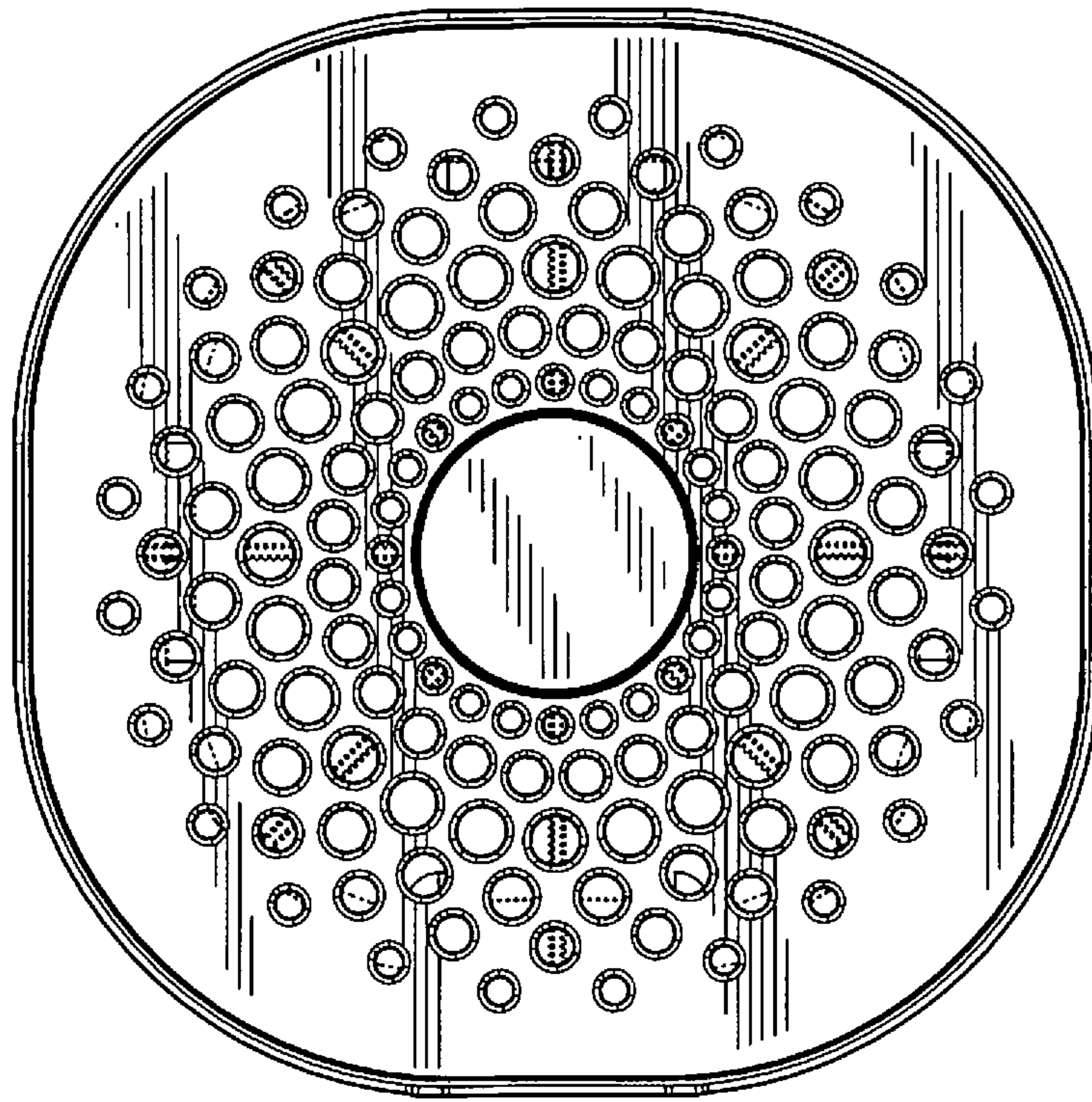


FIG. 3

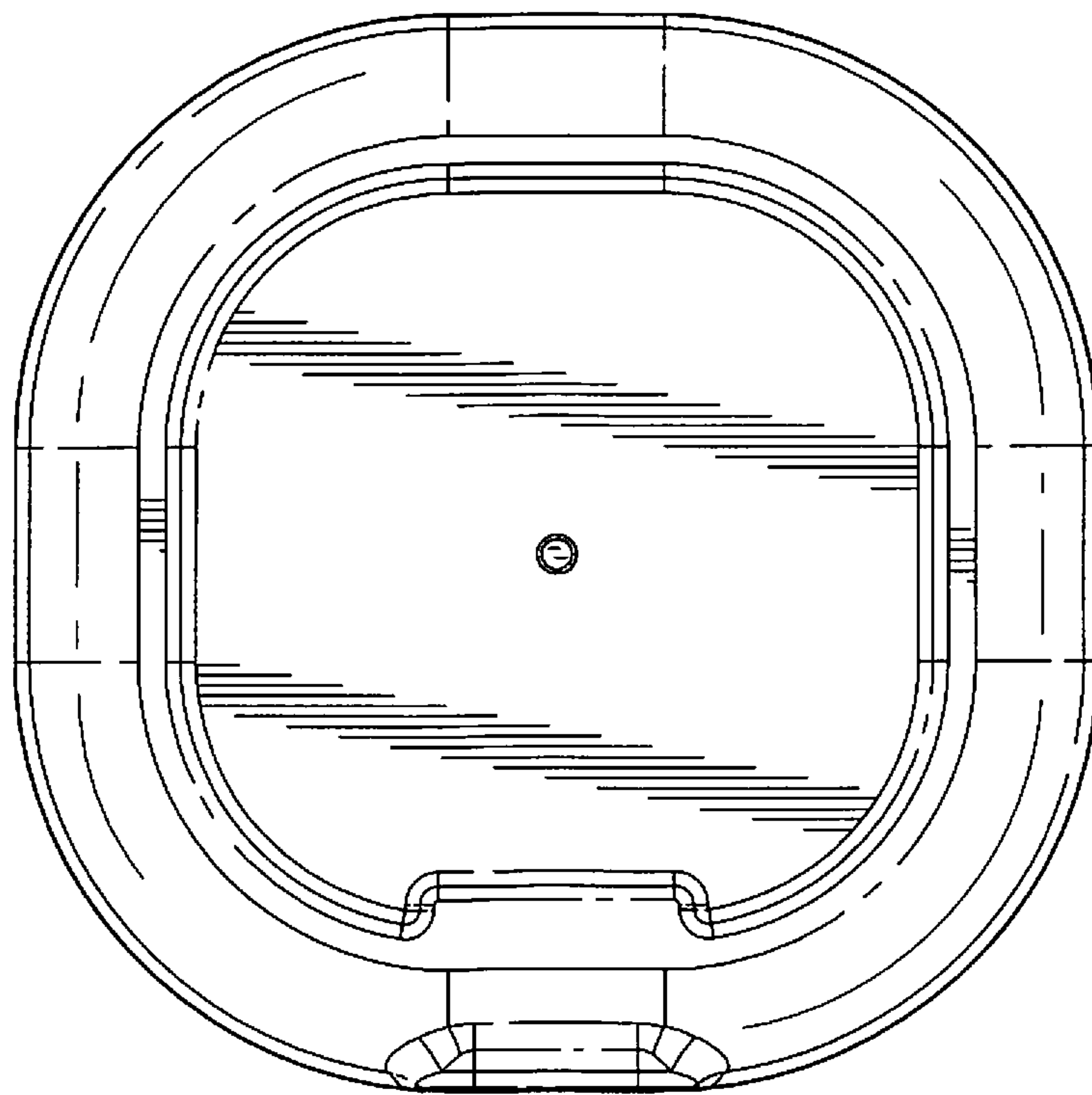


FIG. 4

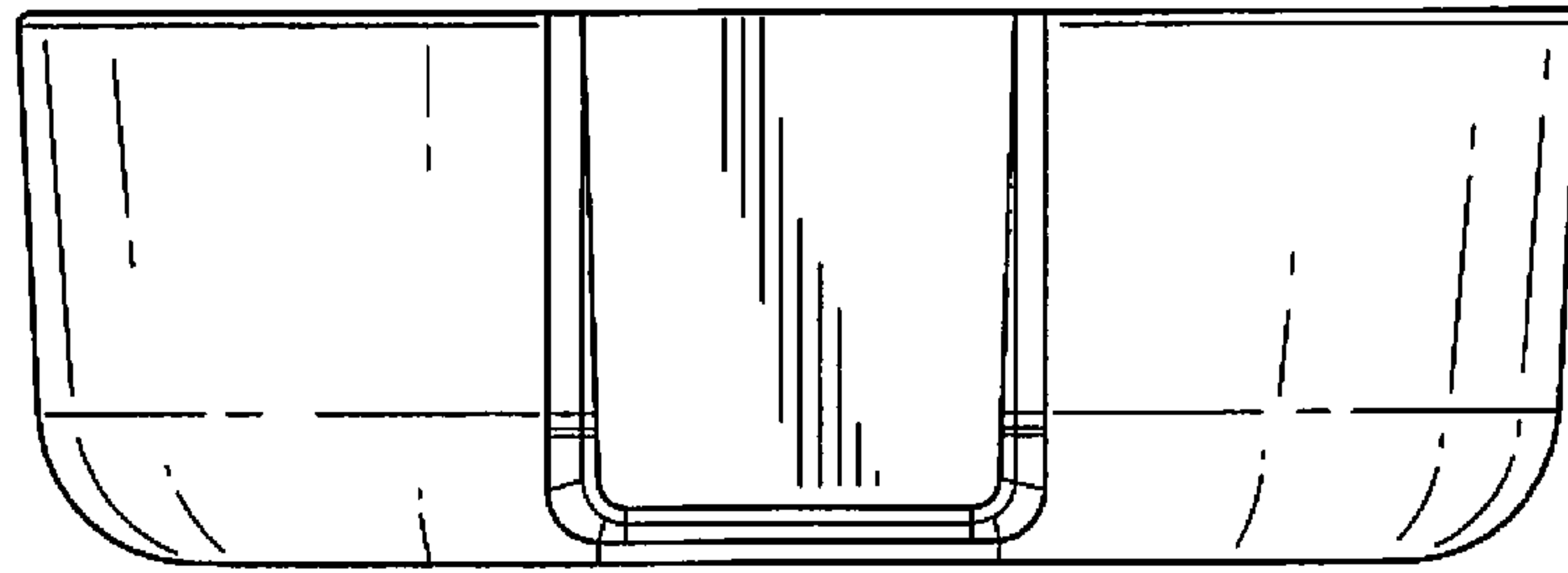


FIG. 5

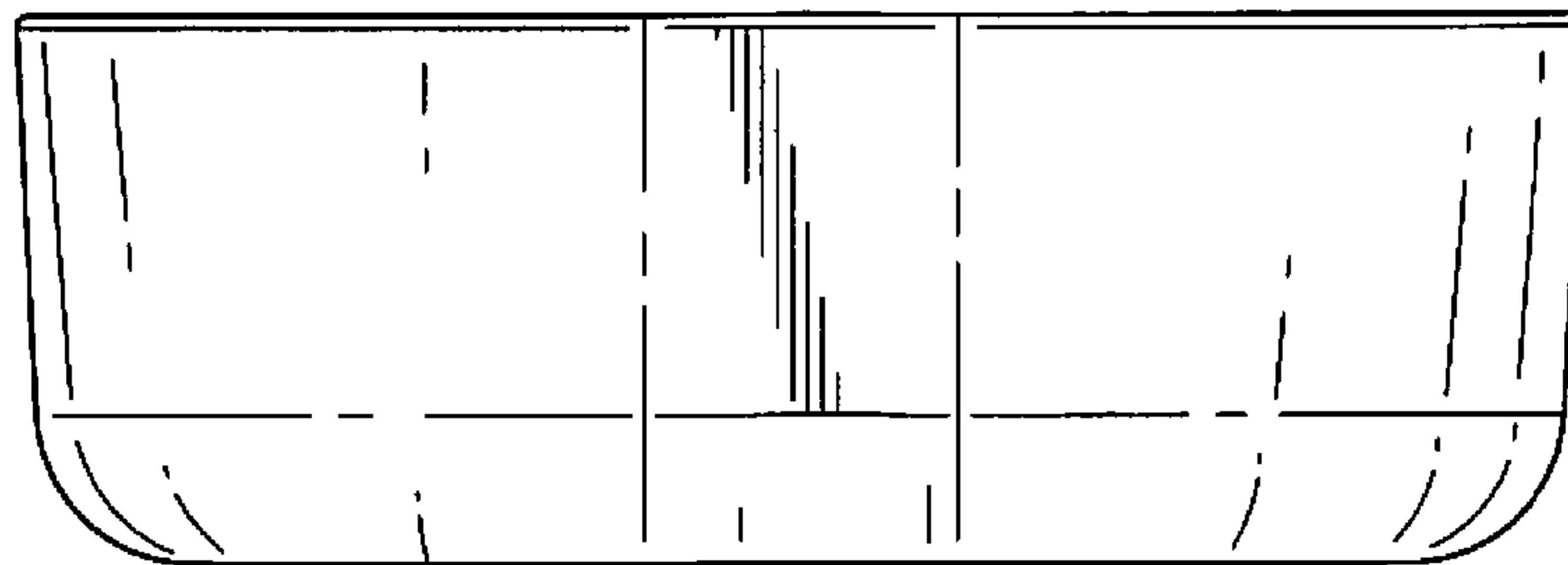


FIG. 6

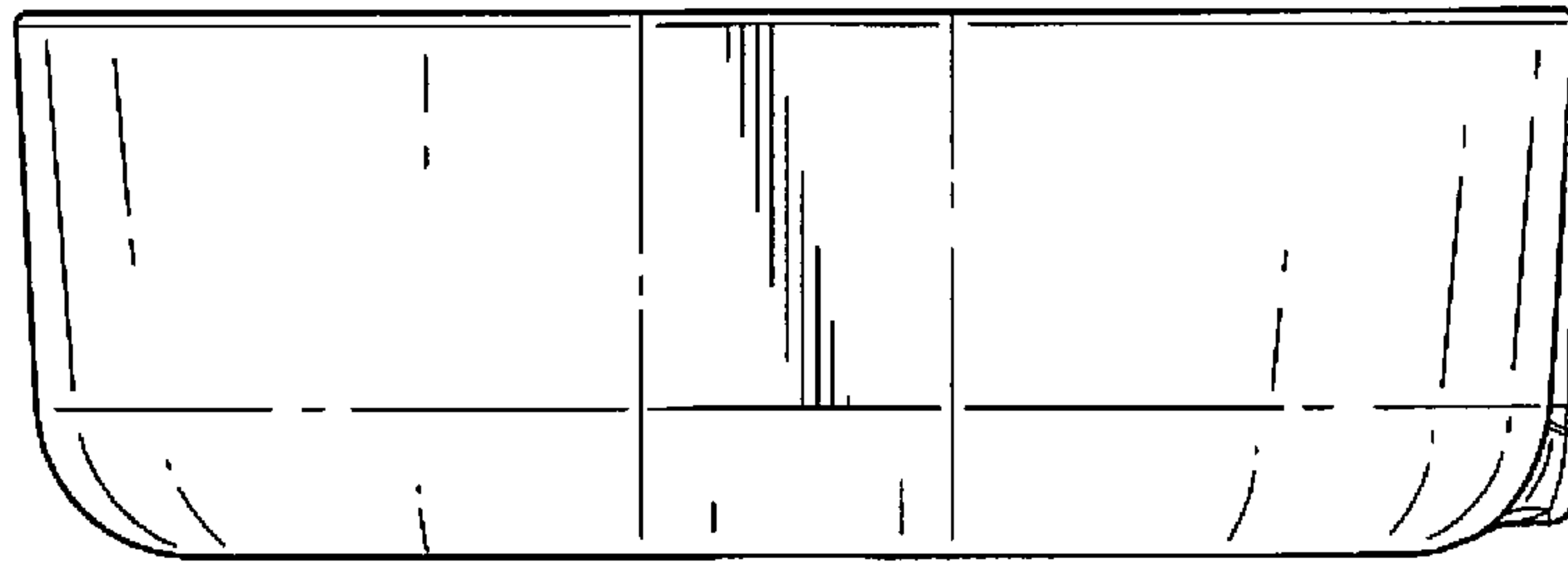


FIG. 7

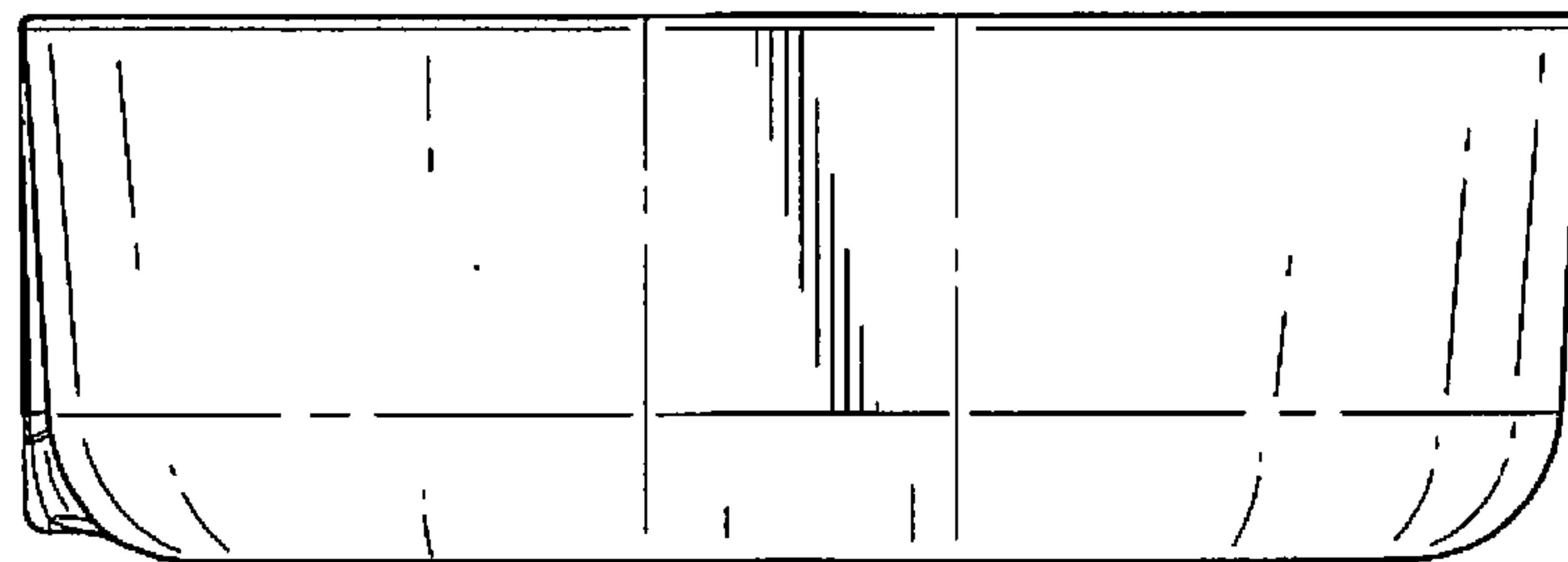


FIG. 8

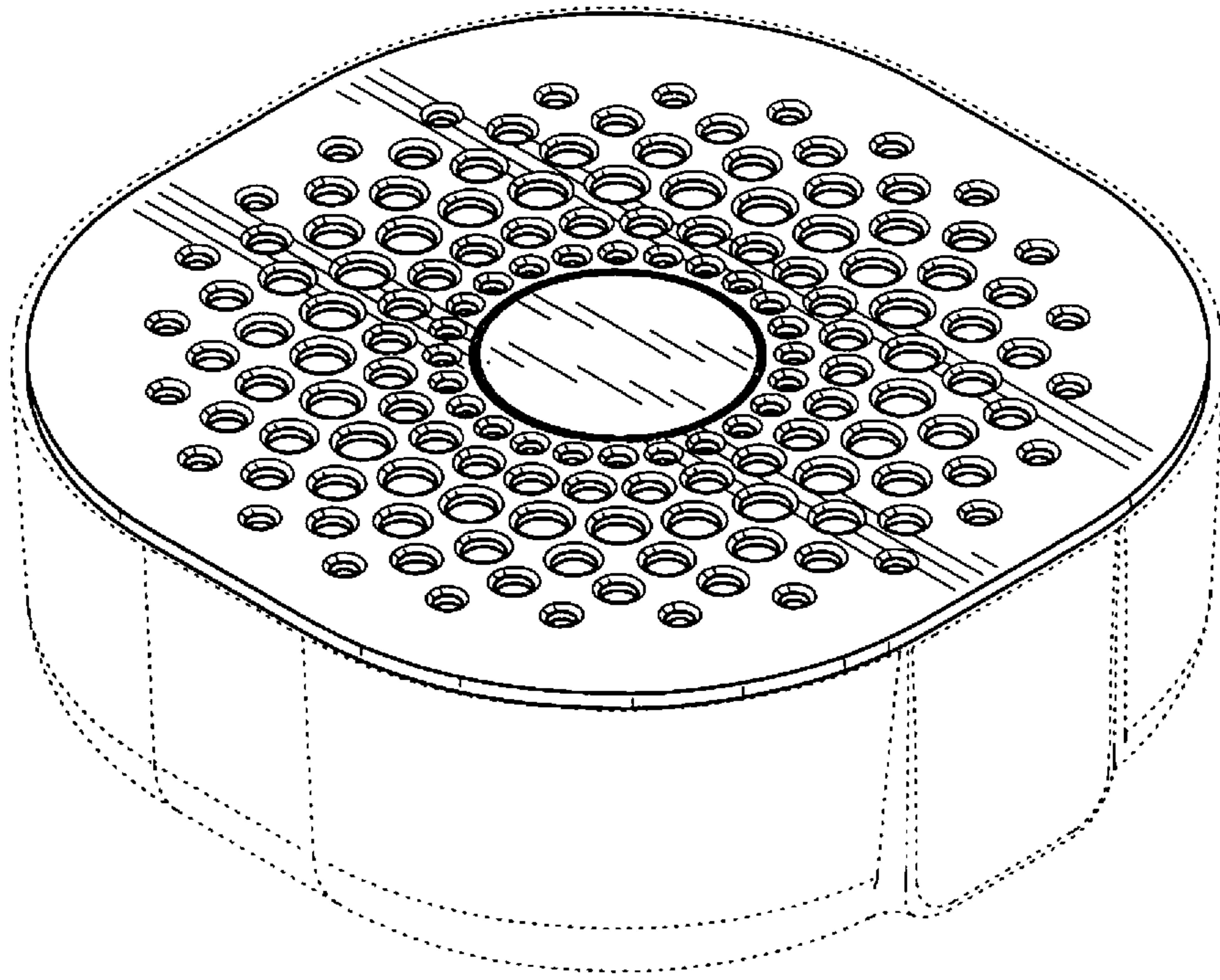


FIG. 9

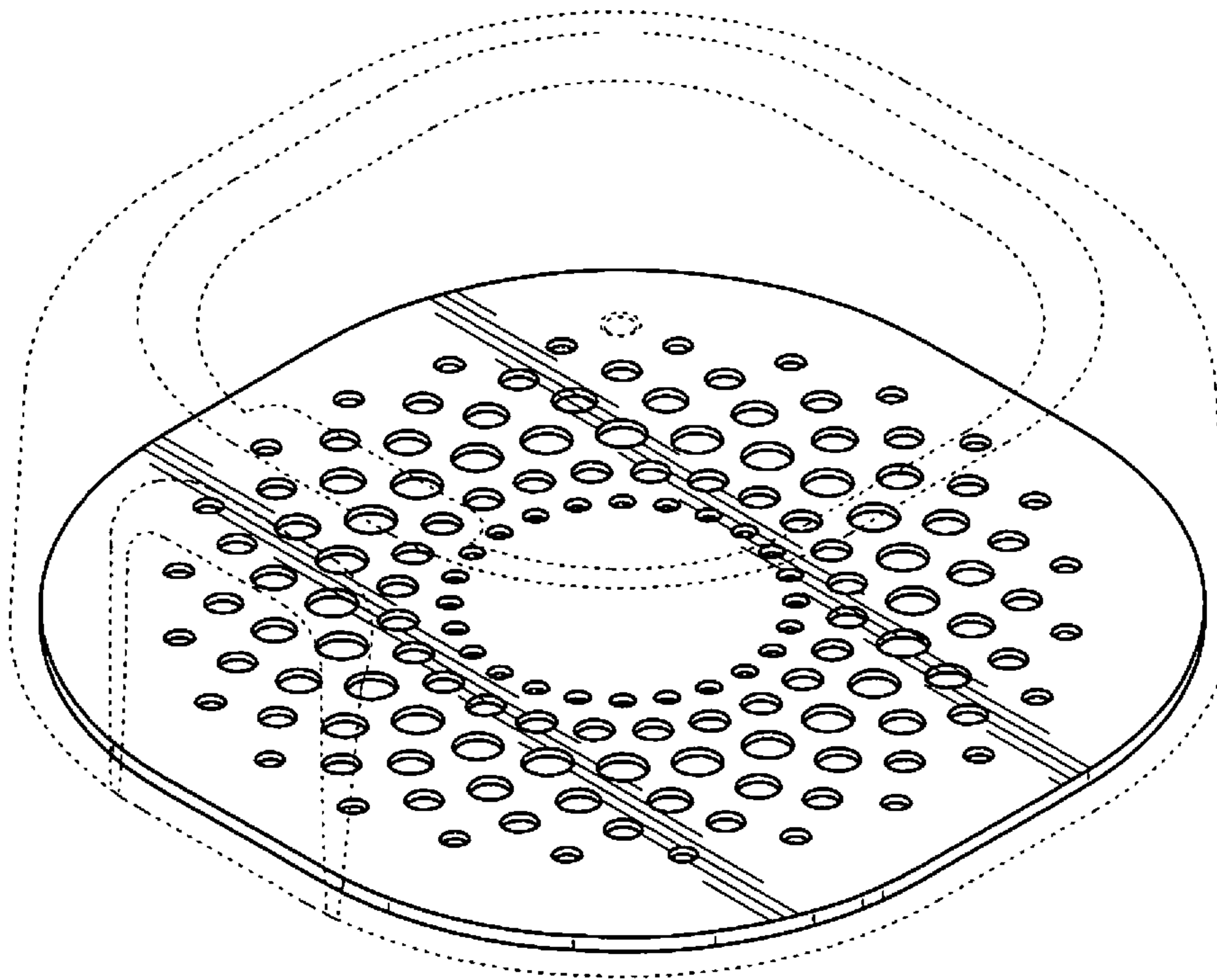


FIG. 10

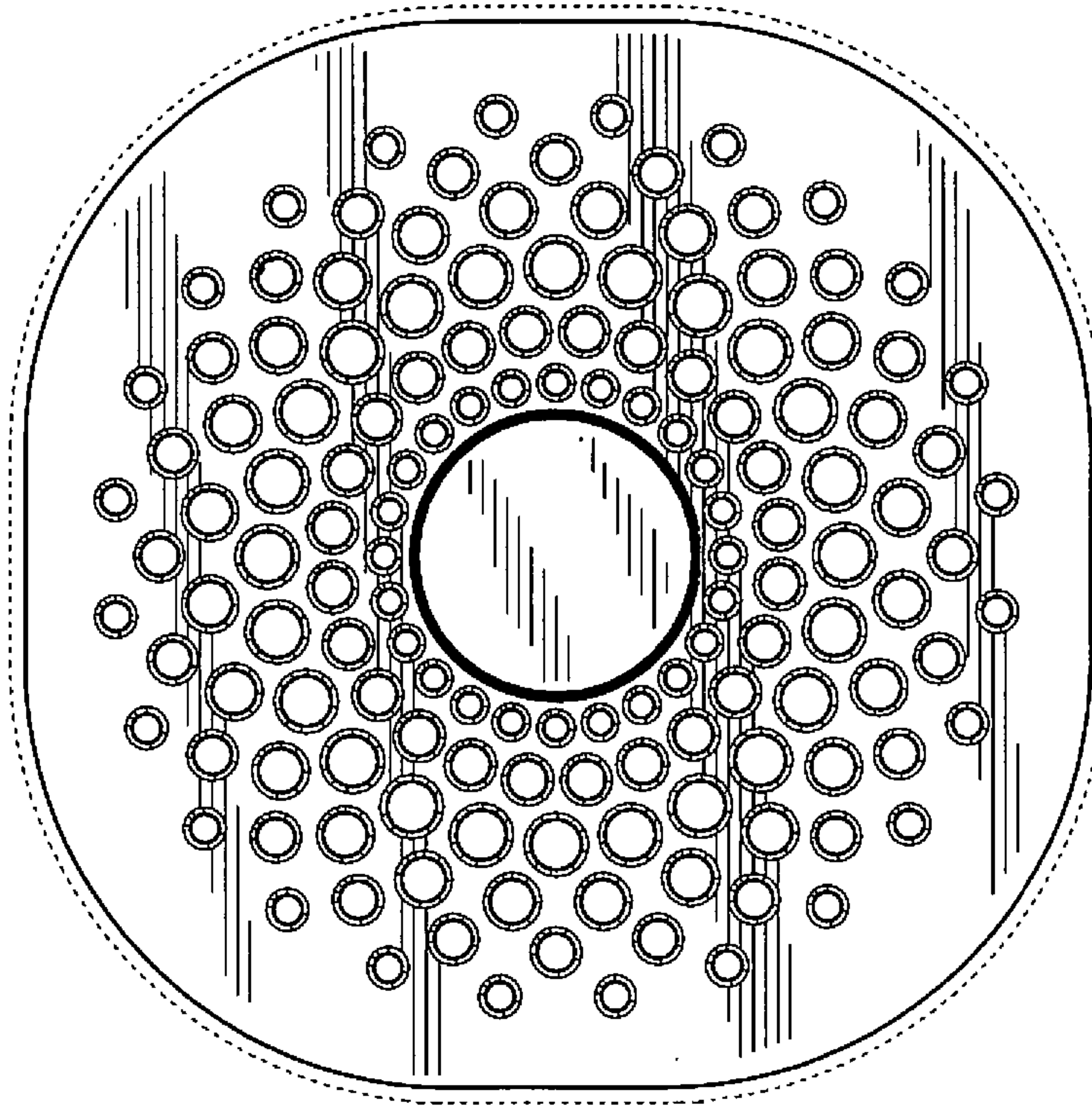


FIG. 11

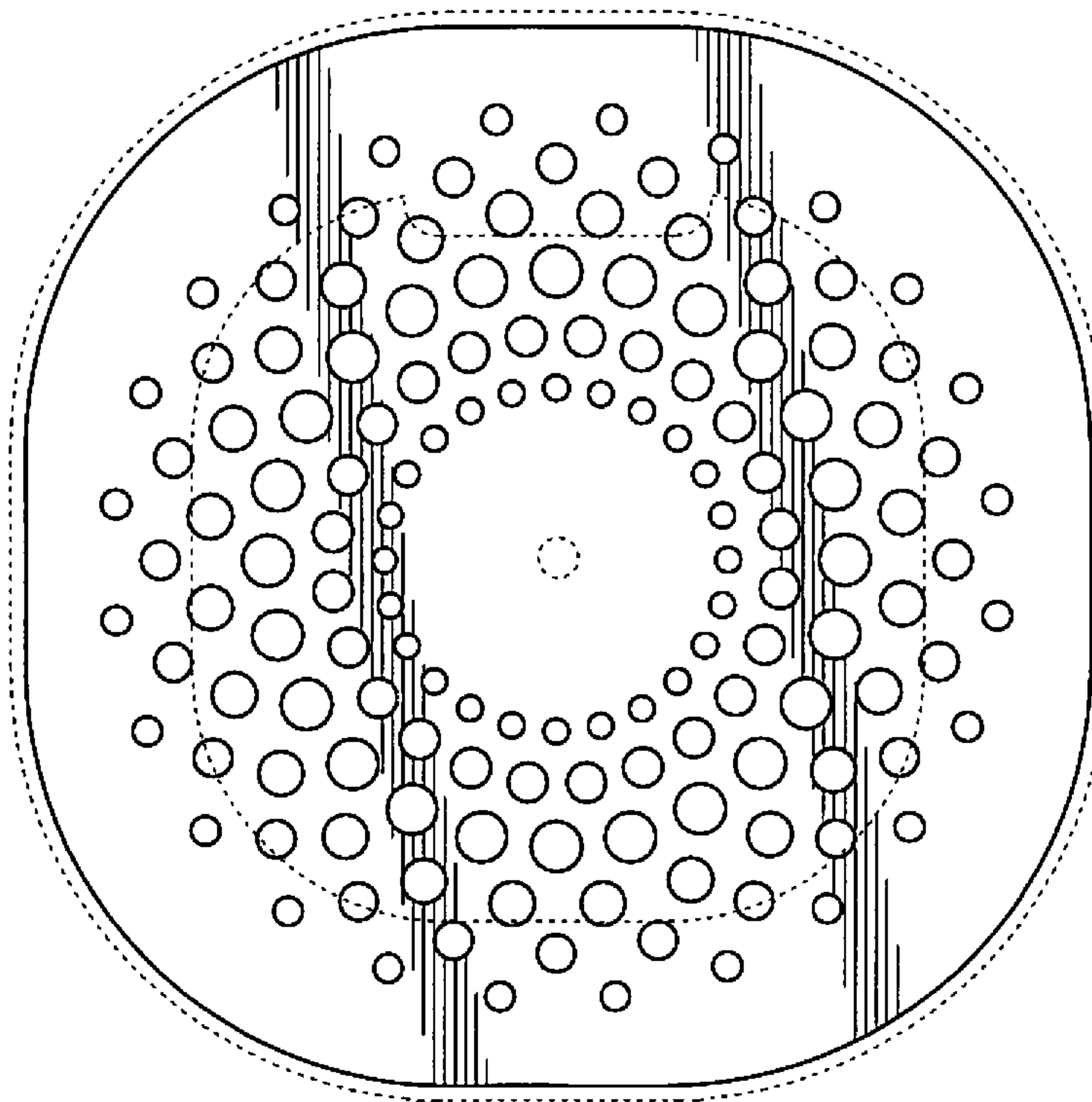


FIG. 12

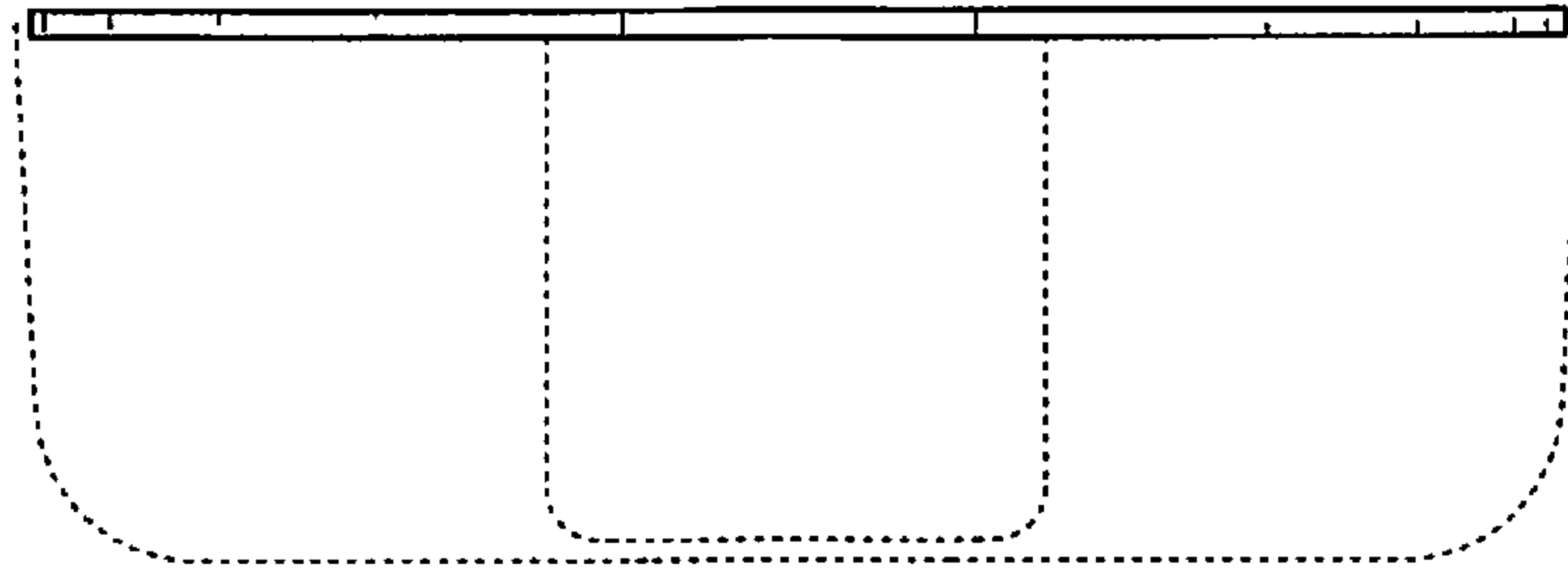


FIG. 13

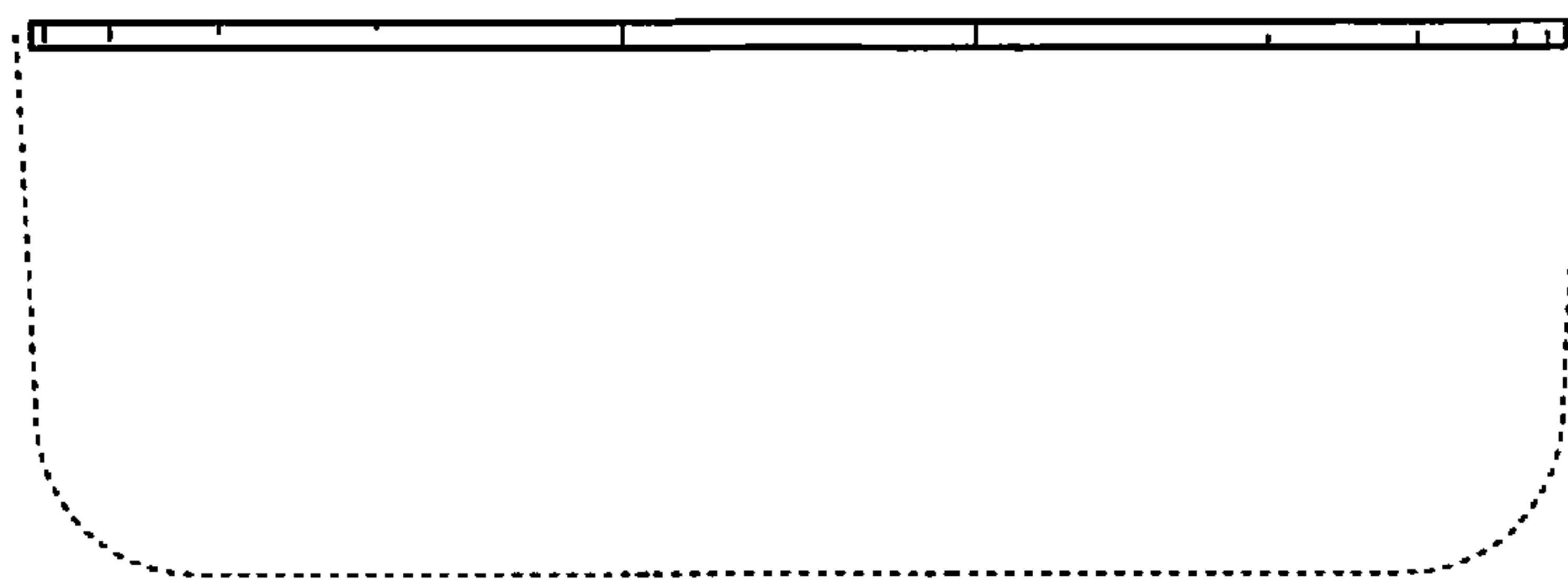


FIG. 14

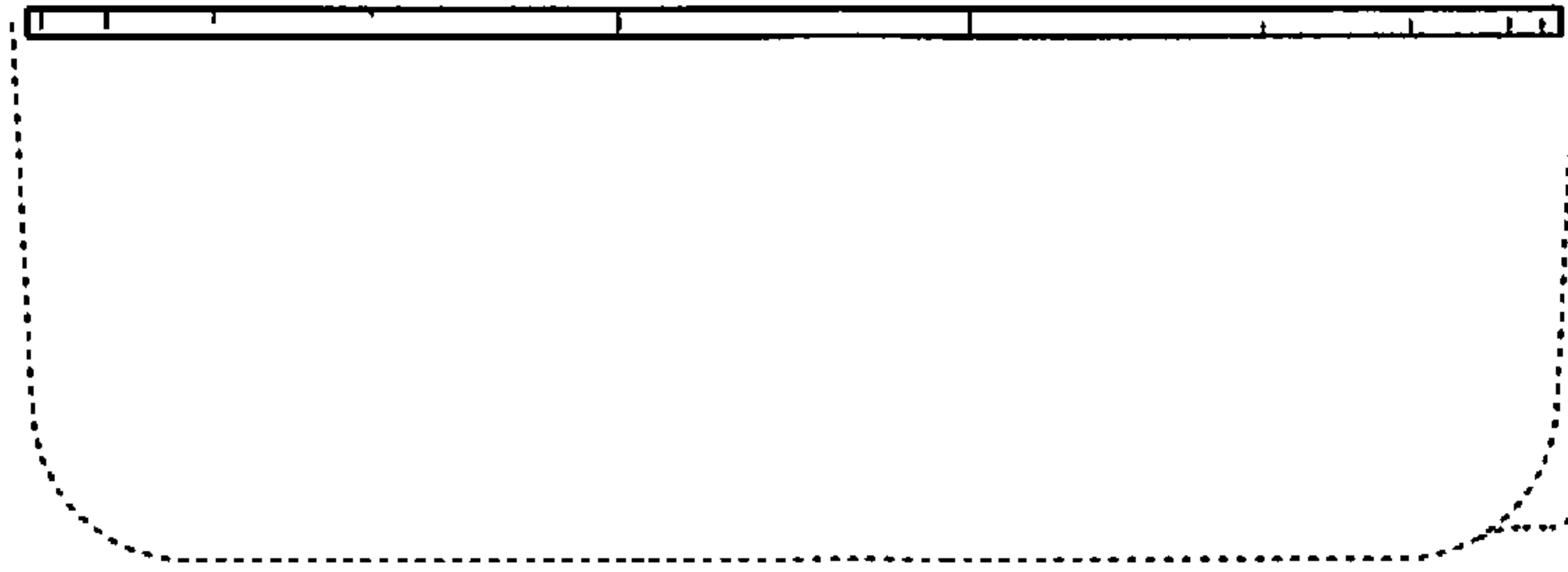


FIG. 15

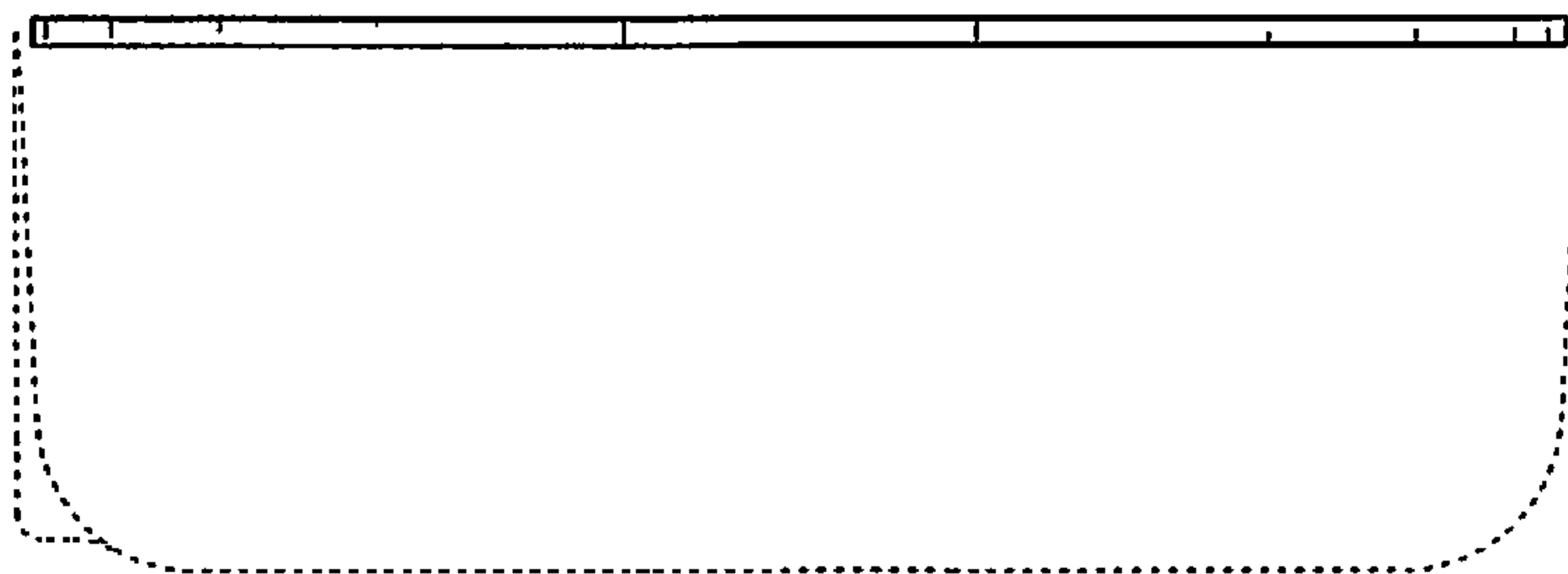


FIG. 16