



US00D873401S

(12) **United States Design Patent** (10) **Patent No.:** **US D873,401 S**
Chen (45) **Date of Patent:** **** Jan. 21, 2020**

(54) **AIR PURIFIER**

(71) Applicant: **Peijiao Chen**, Hengyang (CN)

(72) Inventor: **Peijiao Chen**, Hengyang (CN)

(**) Term: **15 Years**

(21) Appl. No.: **29/705,431**

(22) Filed: **Sep. 12, 2019**

(51) **LOC (12) Cl.** **23-04**

(52) **U.S. Cl.**
USPC **D23/364**

(58) **Field of Classification Search**

USPC D23/355–366, 352, 369, 332, 333, 335,
D23/336, 342, 351; 422/120, 122;
55/356, 473, 504; 96/97; 261/DIG. 17,
261/DIG. 65, DIG. 88, DIG. 31
CPC .. A61L 9/16; A61L 9/22; B01D 47/00; B01D
47/027; B01D 2221/02; B01D 2259/4508;
B03C 3/155; B03C 3/368; F24F 3/16;
F24F 13/20; F24F 13/28

See application file for complete search history.

(56) **References Cited**

U.S. PATENT DOCUMENTS

8,758,680	B2 *	6/2014	Hishida	A61L 9/122 422/5
D818,097	S *	5/2018	Cho	D23/364
D818,099	S *	5/2018	Cho	D23/364
D835,766	S *	12/2018	Chen	D23/364
D836,760	S *	12/2018	Fredang	D23/364
D837,354	S *	1/2019	Su	D23/364
D844,767	S *	4/2019	Chen	D23/364
D847,323	S *	4/2019	Gan	D23/356
D849,218	S *	5/2019	Liang	D23/356
D850,596	S *	6/2019	Wu	D23/366
D854,134	S *	7/2019	Jessup	D23/364
D857,871	S *	8/2019	Shah	D23/366
D865,149	S *	10/2019	Lin	D23/364

OTHER PUBLICATIONS

“Levoit LV-H132 Air Purifier for Allergies, 3-in-1 True HEPA & Active Carbon Filters,3 Speeds Portable Purifiers, Smart Filter Change Reminder. Ideal for Home Bedroom, Pollen, Pet Dander, Smokers [Energy Class A+]”. Retrieved Oct. 9, 2019. Retrieved from Internet, <https://www.amazon.co.uk/Levoit-Purifiers-Filtration-Eliminator-LV-H132/dp/B071D582Y5/>.

“Rigoglioso Air Purifier Air Cleaner for home with True HEPA & Active Carbon Filter, Portable Air Purifiers, Air Ionizer Remove Dust, Pollen,Smoke, Odors with 5V 1.5M USB Cable [Energy Class A+]”, Retrieved Oct. 9, 2019]. Retrieved from Internet, <https://www.amazon.co.uk/RIGOGLIOSO-Purifier-Cleaner-Portable-Purifiers/dp/B0798DGPYQ/>.

(Continued)

Primary Examiner — David G Muller

(57) **CLAIM**

The ornamental design for an air purifier, as shown and described.

DESCRIPTION

FIG. 1 is a perspective view of an air purifier showing my new design;

FIG. 2 is another perspective view thereof;

FIG. 3 is a front elevational view thereof;

FIG. 4 is a rear elevational view thereof;

FIG. 5 is a left side elevational view thereof;

FIG. 6 is a right side elevational view thereof;

FIG. 7 is a top plan view thereof;

FIG. 8 is a bottom plan view thereof;

FIG. 9 is an enlarged view of portion 9 shown in FIG. 1;

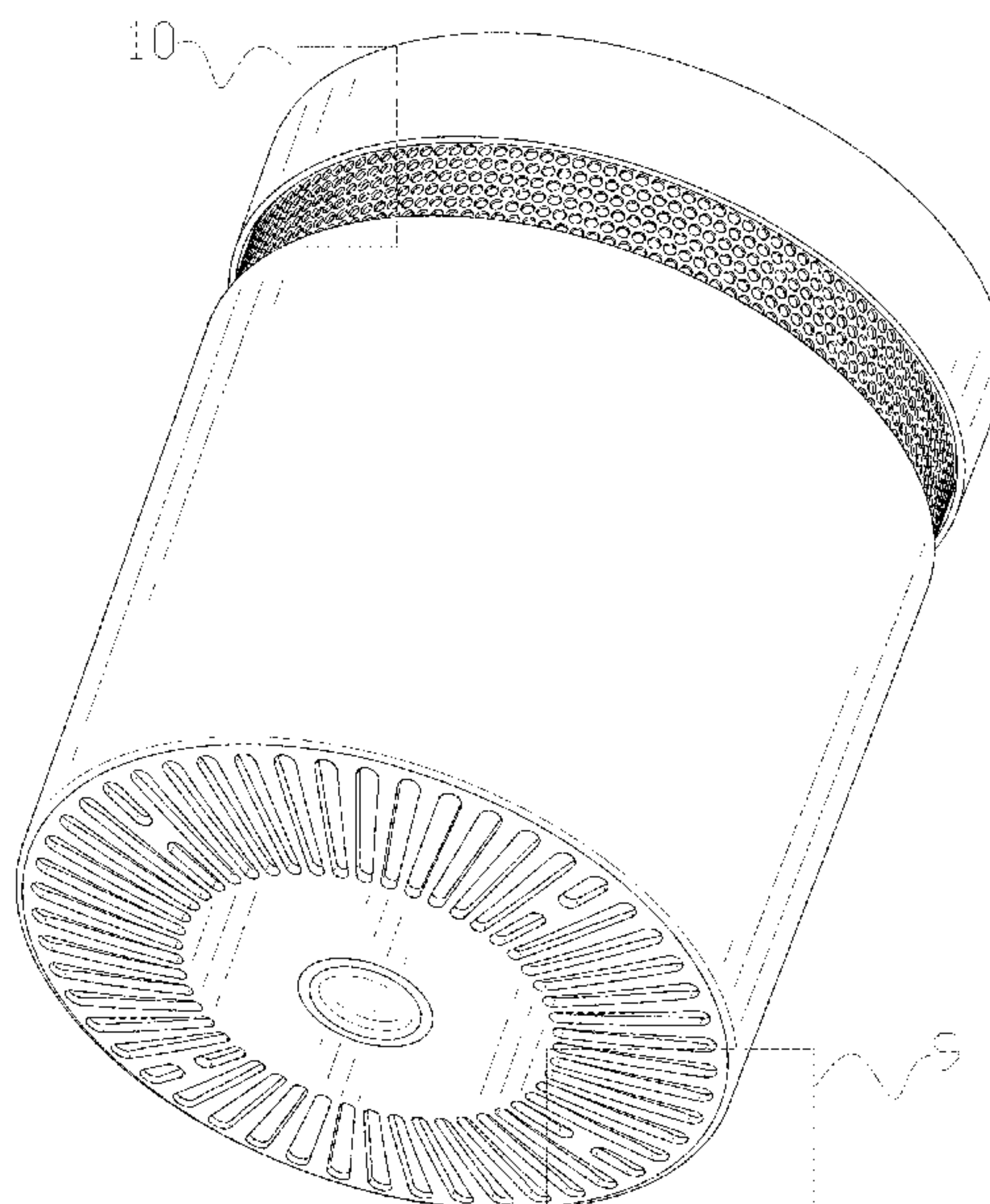
FIG. 10 is an enlarged view of portion 10 shown in FIG. 1;

and,

FIG. 11 is an enlarged view of portion 11 shown in FIG. 2.

The broken lines in the drawings depict portions of the air purifier that form no part of the claimed design.

1 Claim, 11 Drawing Sheets



(56)

References Cited

OTHER PUBLICATIONS

“Levoit Air Purifier for Allergies with True HEPA & Active Carbon Filters, Purifiers with Night Light and Timer Function, No Ozone. PM Eliminator Cleaner for Home Smokers and Dust Pets Dander Visla200 [Energy Class+++]”, Retrieved Oct. 9, 2019]. Retrieved from Internet, <https://www.amazon.co.uk/Levoit-Purifier-Allergies-Purifiers-Eliminator/dp/B070C5SCV6/>.

* cited by examiner

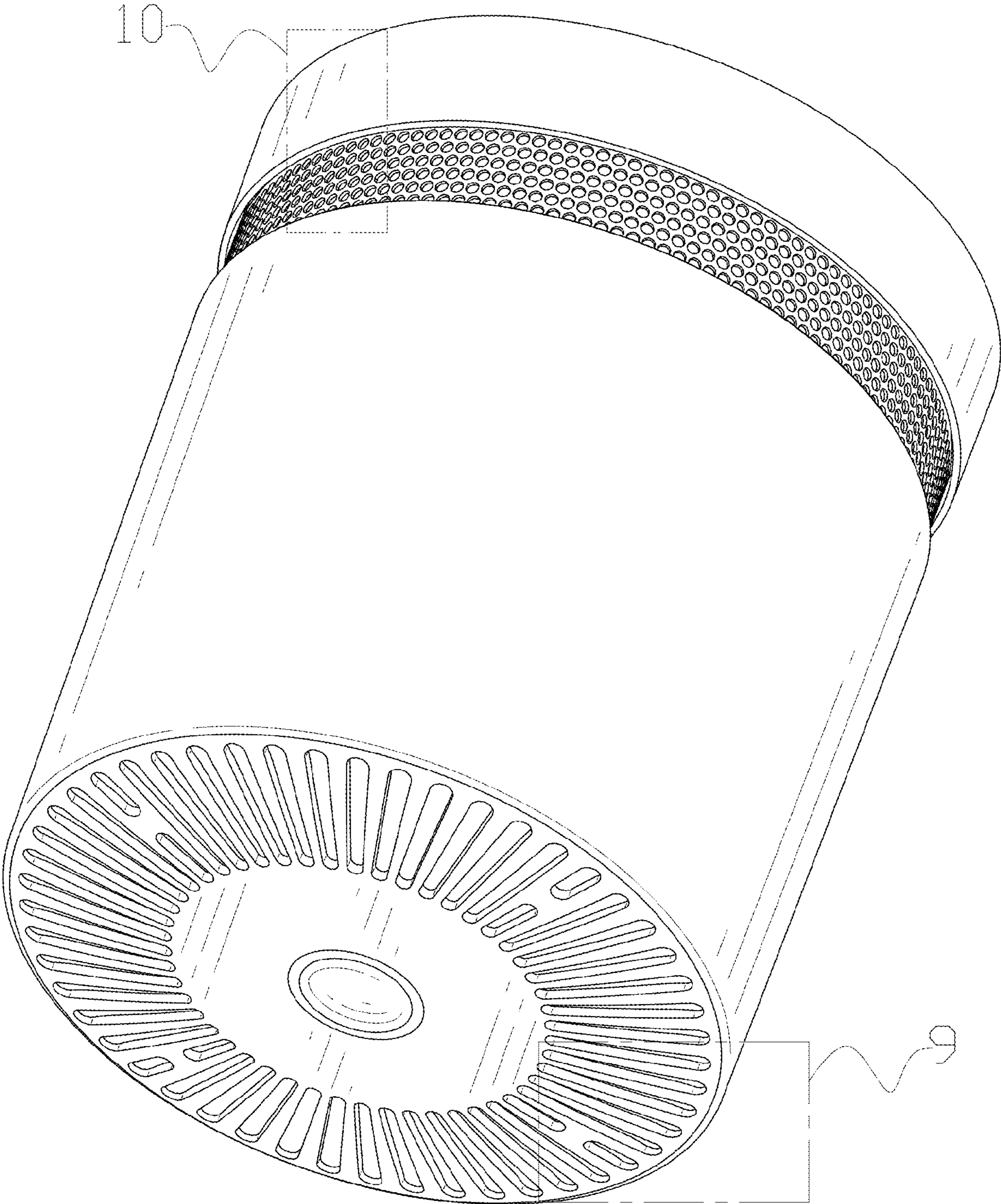


FIG. 1

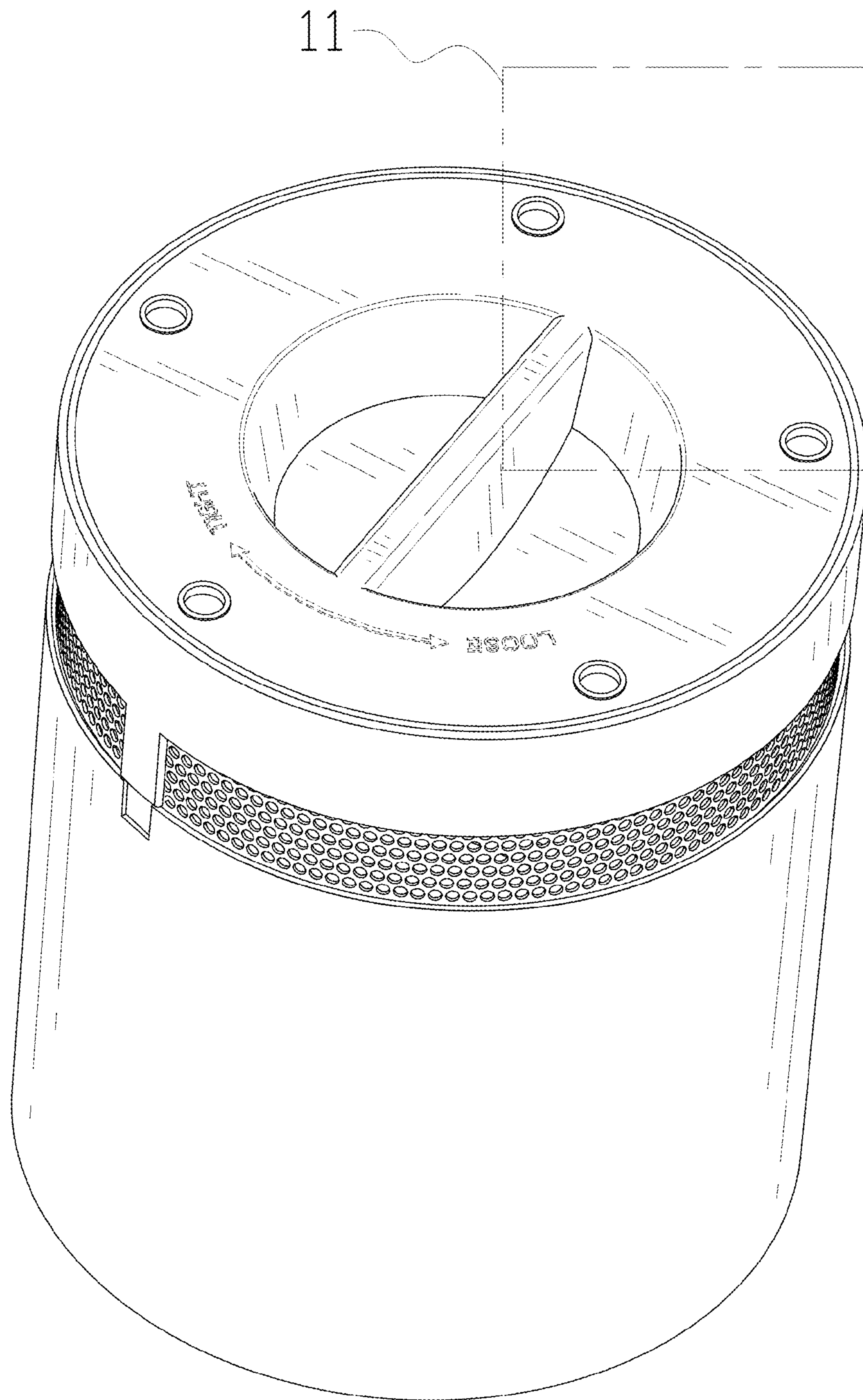


FIG. 2

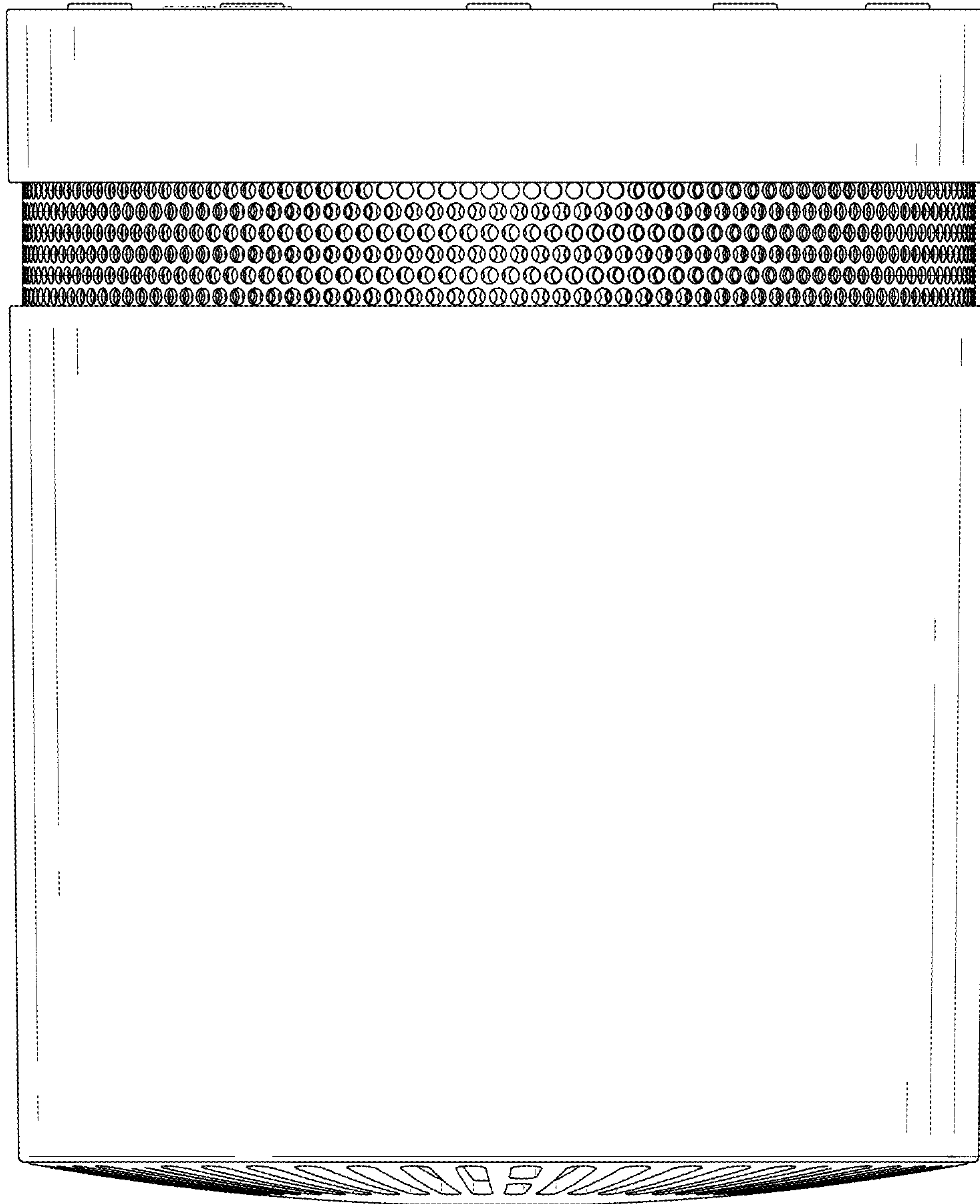


FIG. 3

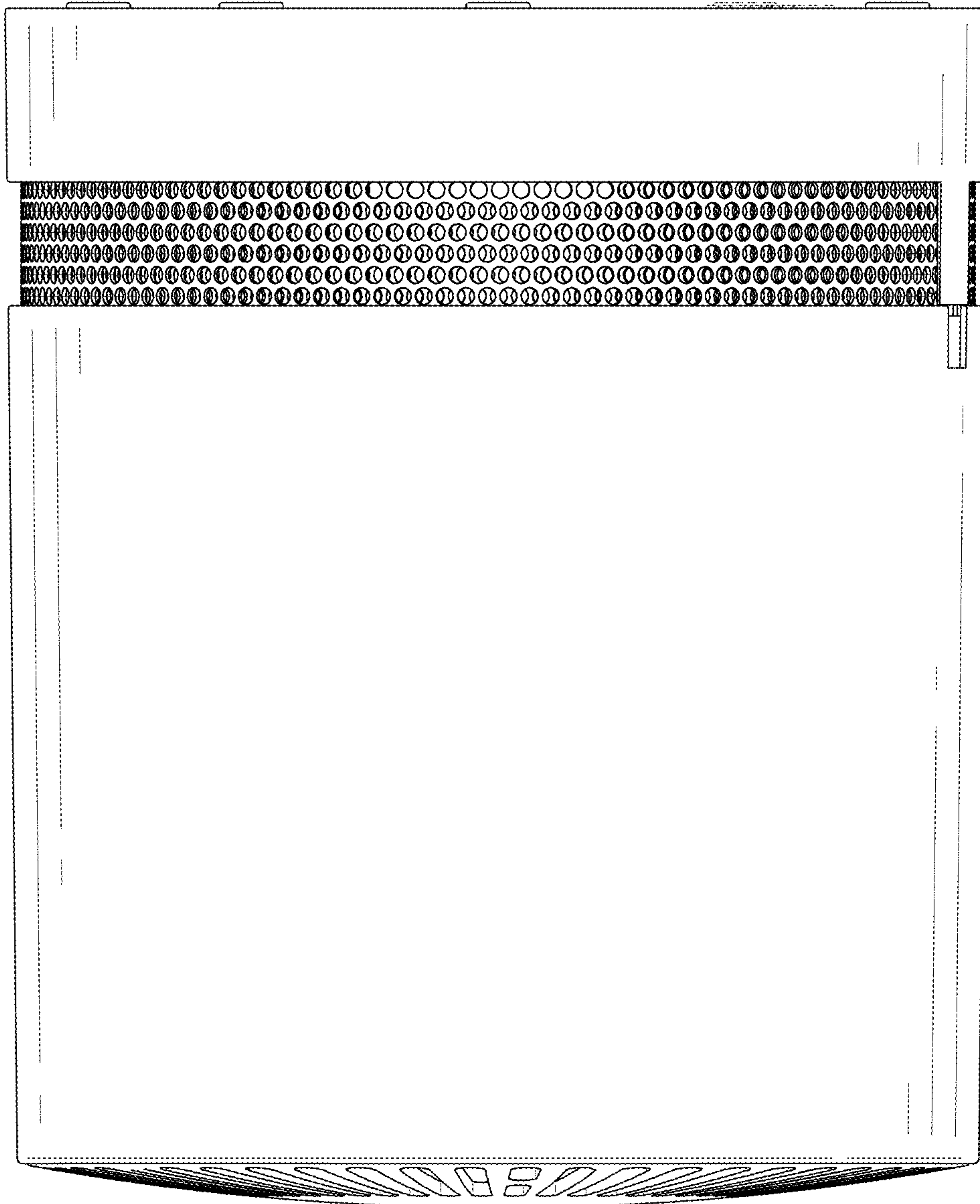


FIG. 4

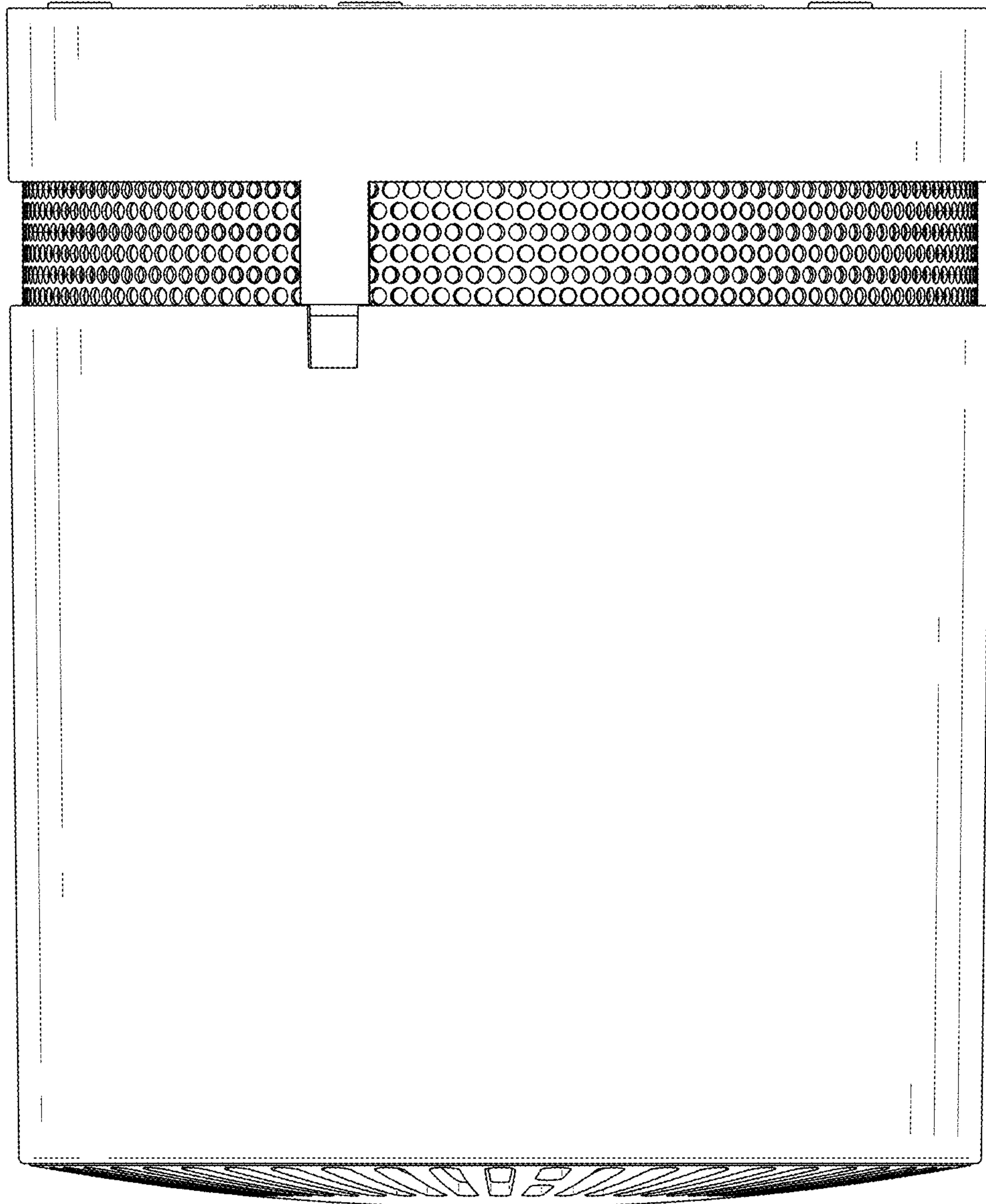


FIG. 5

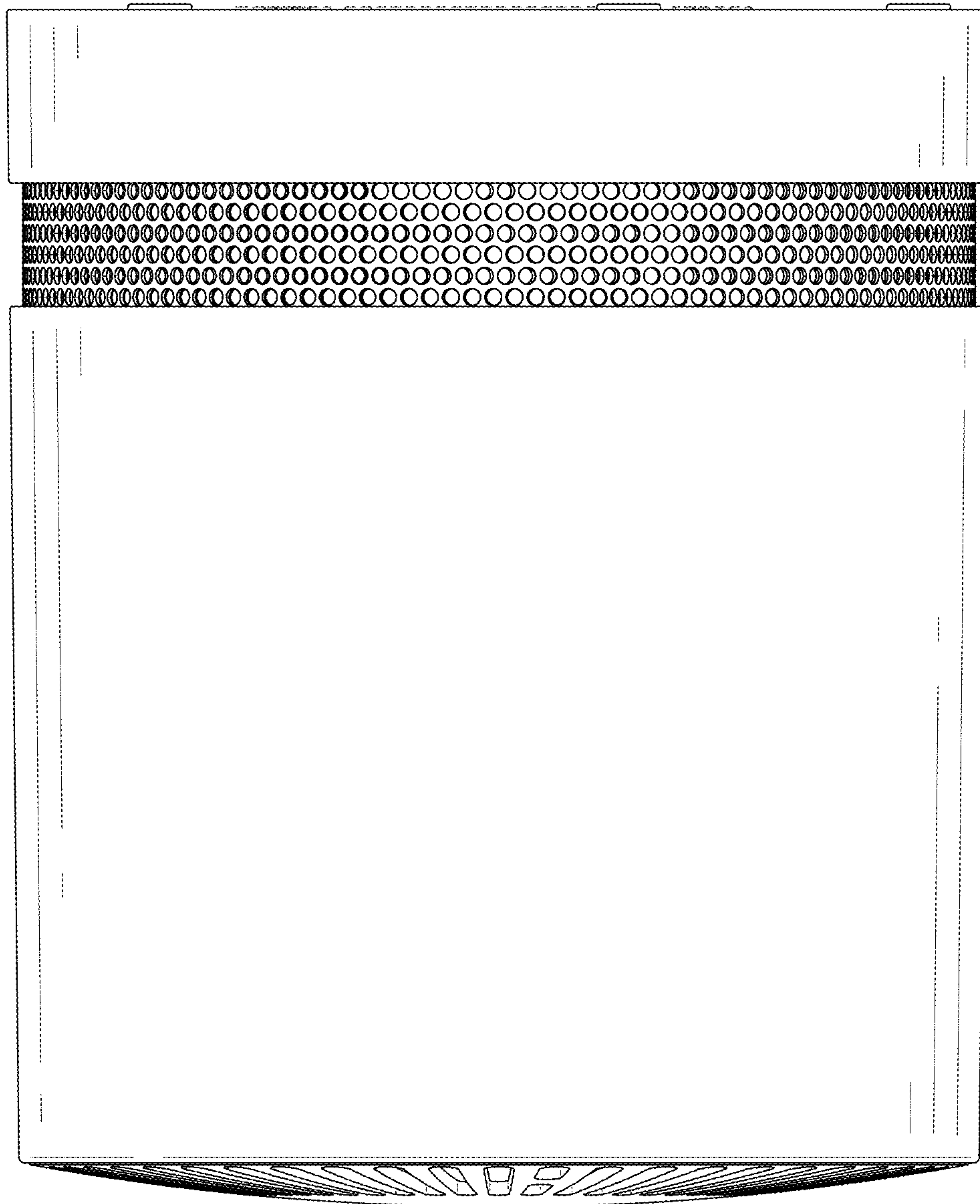


FIG. 6

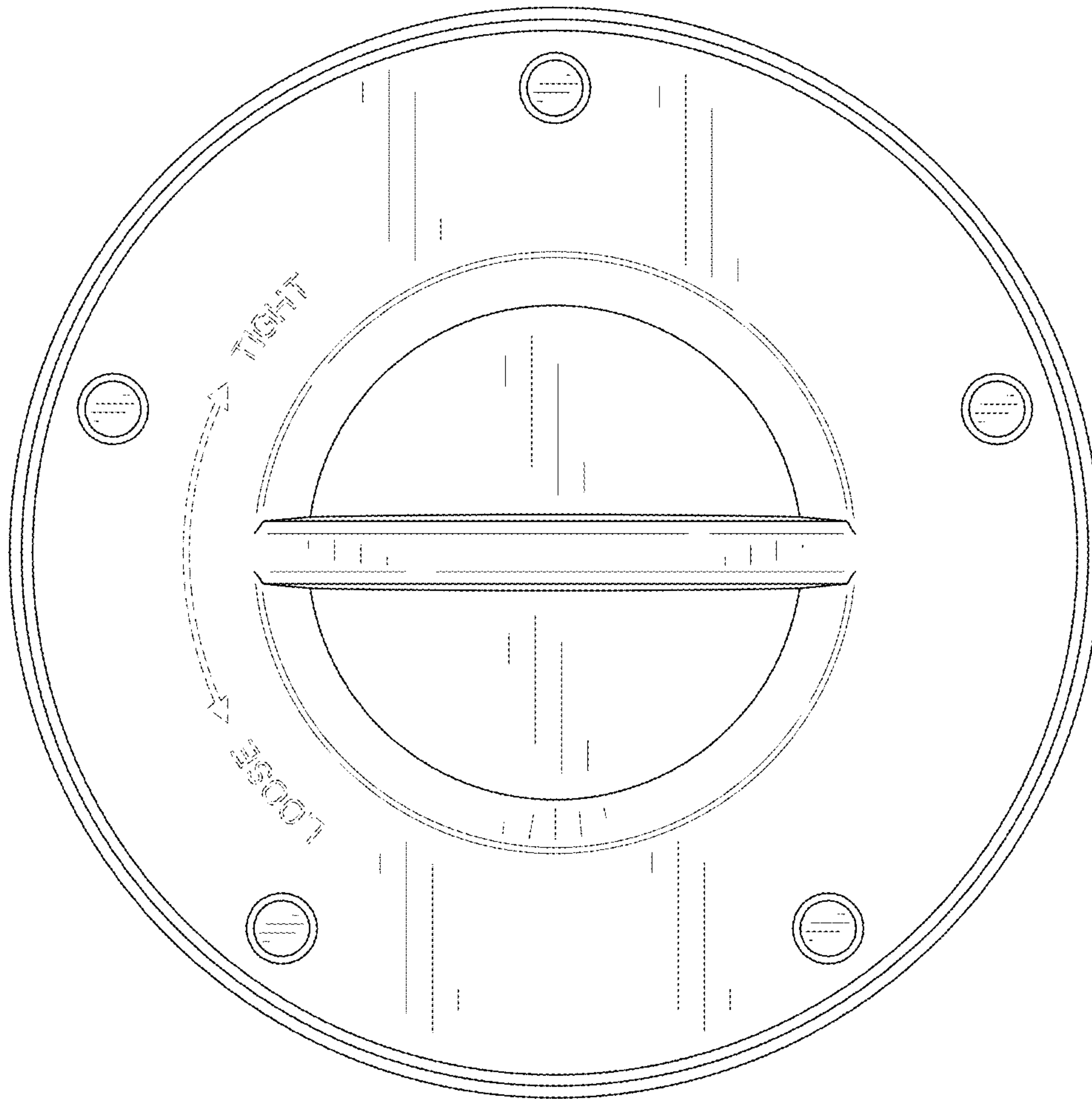


FIG. 7

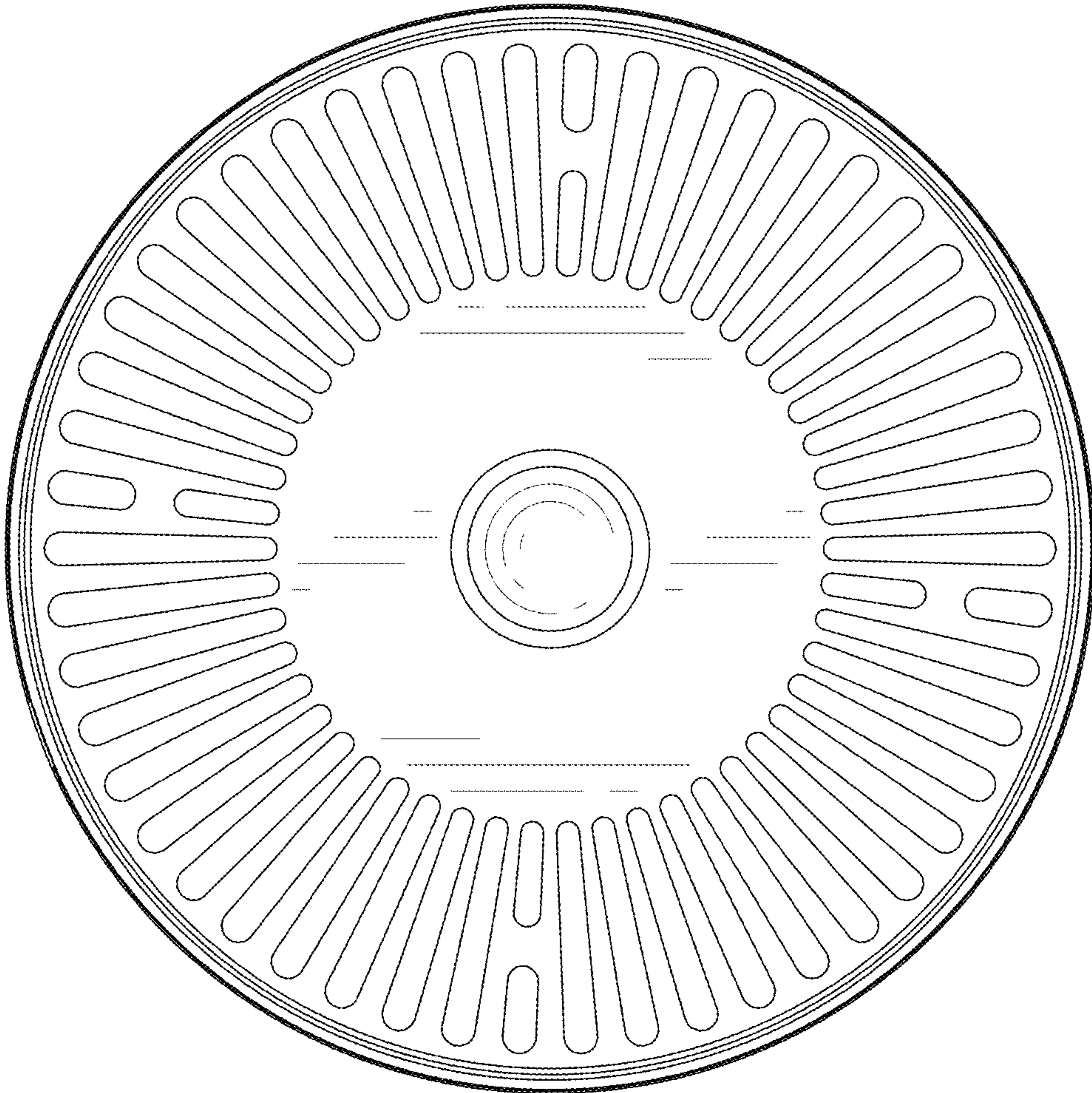


FIG. 8

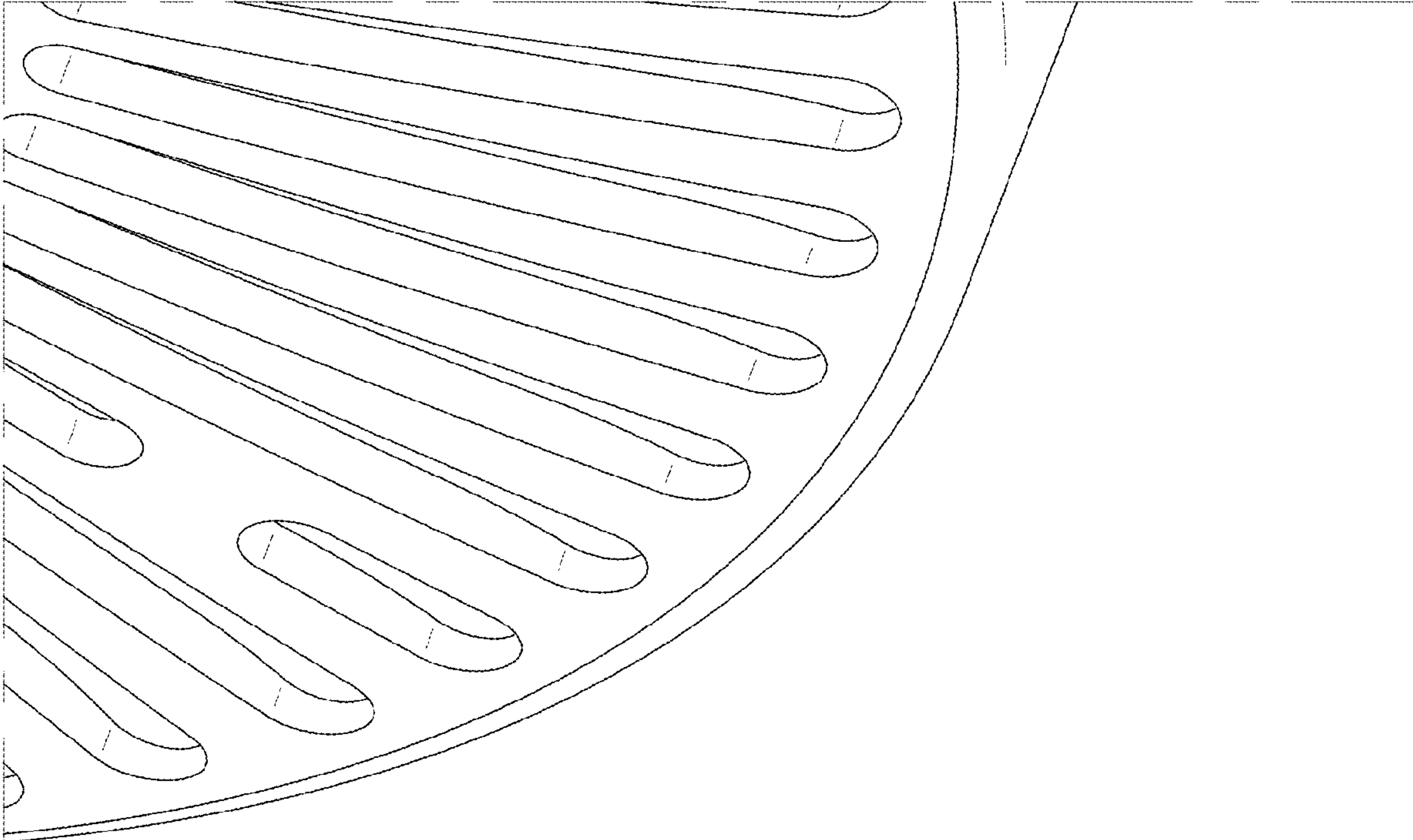


FIG. 9

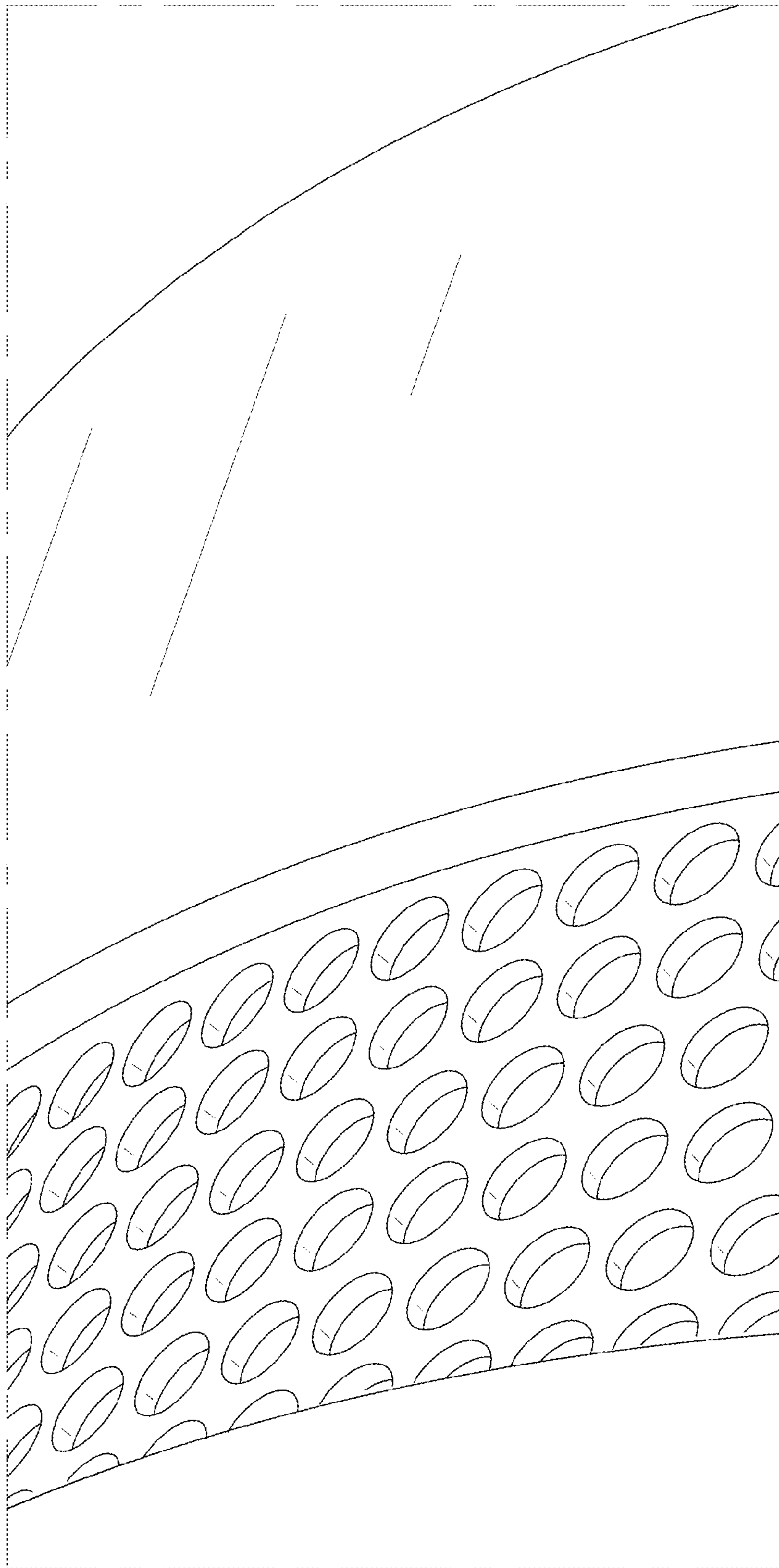


FIG. 10

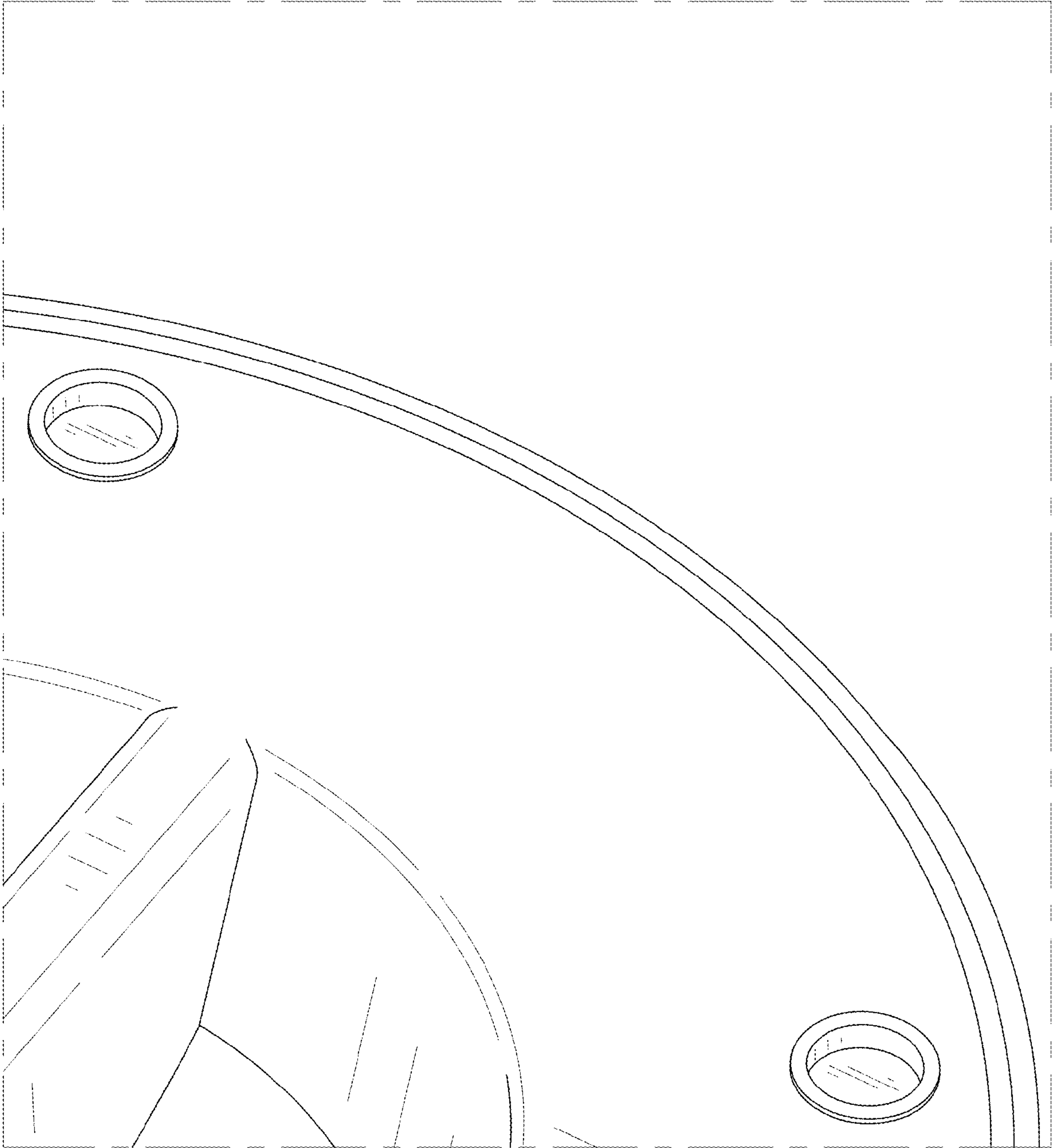


FIG. 11