



US00D873399S

(12) **United States Design Patent** (10) **Patent No.:** **US D873,399 S**
Nykowski et al. (45) **Date of Patent:** **** Jan. 21, 2020**

(54) **AIR TREATMENT DEVICE**

(56) **References Cited**

(71) Applicant: **Reckitt & Colman (Overseas) Limited**, Slough, Berkshire (GB)
(72) Inventors: **Pawel Zygmunt Nykowski**, Nowy Dwor Mazowiecki (PL); **Andrzej Olszewski**, Nowy Dwor Mazowiecki (PL)
(73) Assignee: **Reckitt & Colman (Overseas) Hygiene Home Limited**, Slough, Berkshire (GB)

U.S. PATENT DOCUMENTS

D522,118 S *	5/2006	Miro	D23/366
D720,063 S *	12/2014	Li	D23/366
D752,807 S *	3/2016	Young	D23/362
D753,279 S *	4/2016	Li	D23/366
D807,486 S *	1/2018	Li	D23/366
D808,507 S *	1/2018	Zou	D23/366
D810,263 S *	2/2018	Lu	D23/366
D813,366 S *	3/2018	Tang	D23/366
D815,270 S *	4/2018	Li	D23/366
D828,534 S *	9/2018	Hu	D23/366
D829,877 S *	10/2018	Liu	D23/366
D838,826 S *	1/2019	Beychok	D23/366
D856,501 S *	8/2019	Netkin	D23/366

(**) Term: **15 Years**

* cited by examiner

(21) Appl. No.: **29/658,866**

Primary Examiner — David G Muller

(22) Filed: **Aug. 3, 2018**

(74) *Attorney, Agent, or Firm* — Norris McLaughlin, PA

(30) **Foreign Application Priority Data**

(57) **CLAIM**

Feb. 12, 2018 (EP) 004706307-0002

The ornamental design for an air treatment device, as shown and described.

(51) **LOC (12) Cl.** **23-04**

(52) **U.S. Cl.**
USPC **D23/364**

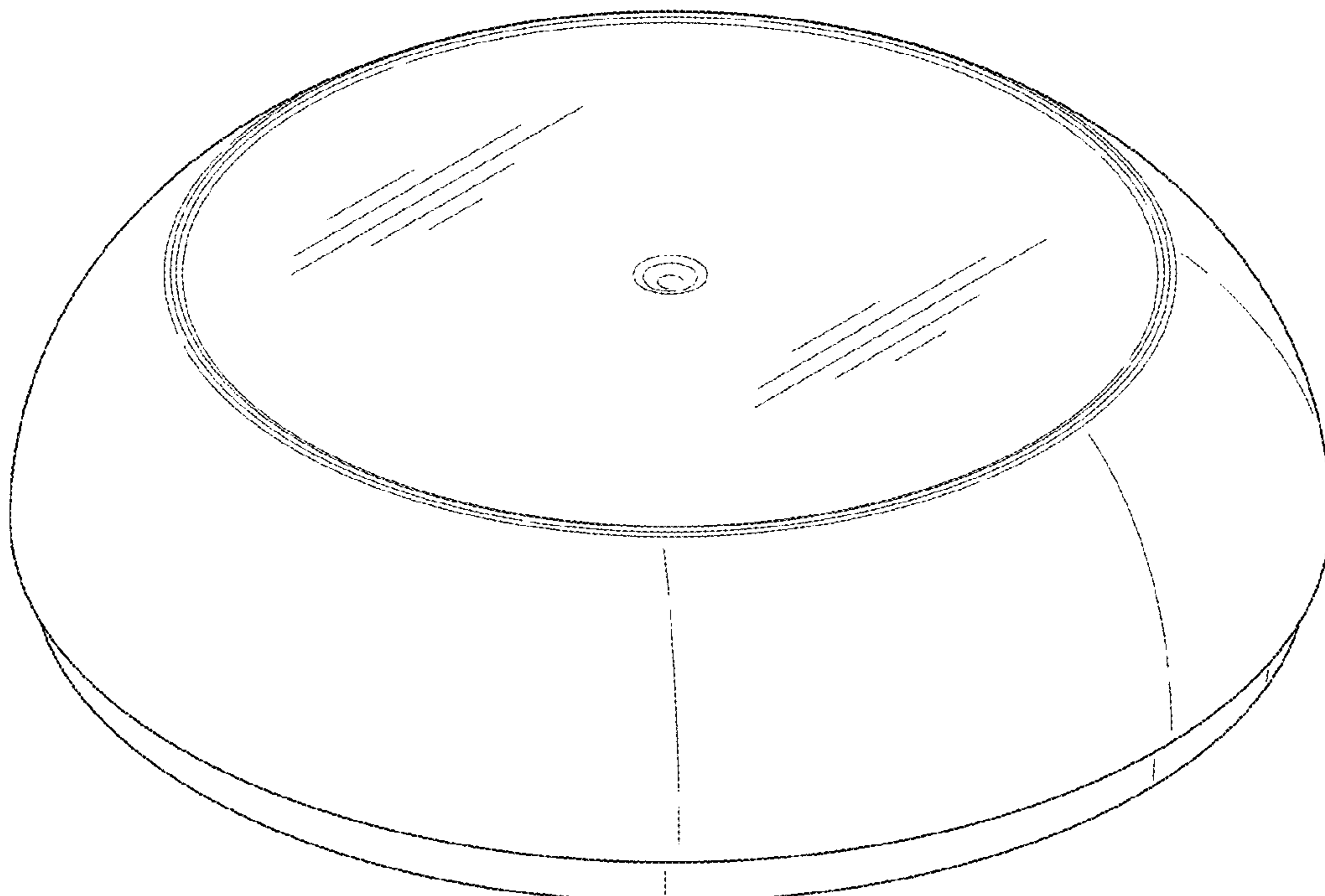
DESCRIPTION

(58) **Field of Classification Search**
USPC D23/355-366, 352, 369, 332, 333, 335, D23/336, 342, 351; 422/120, 122; 55/356, 473, 504; 96/971; 261/DIG. 17, 261/DIG. 65, DIG. 88, DIG. 31
CPC .. A61L 9/16; A61L 9/22; B01D 47/00; B01D 47/027; B01D 2221/02; B01D 2259/4508; B03C 3/155; B03C 3/368; F24F 3/16; F24F 13/20; F24F 13/28

FIG. 1 is a front perspective top view of the part of the air treatment device;
FIG. 2 is a front side elevational view thereof;
FIG. 3 is a back side elevational view thereof;
FIG. 4 is a further side elevational view thereof;
FIG. 5 is a top plan view thereof;
FIG. 6 is a bottom plan view thereof; and,
FIG. 7 is a bottom perspective view thereof.

See application file for complete search history.

1 Claim, 6 Drawing Sheets



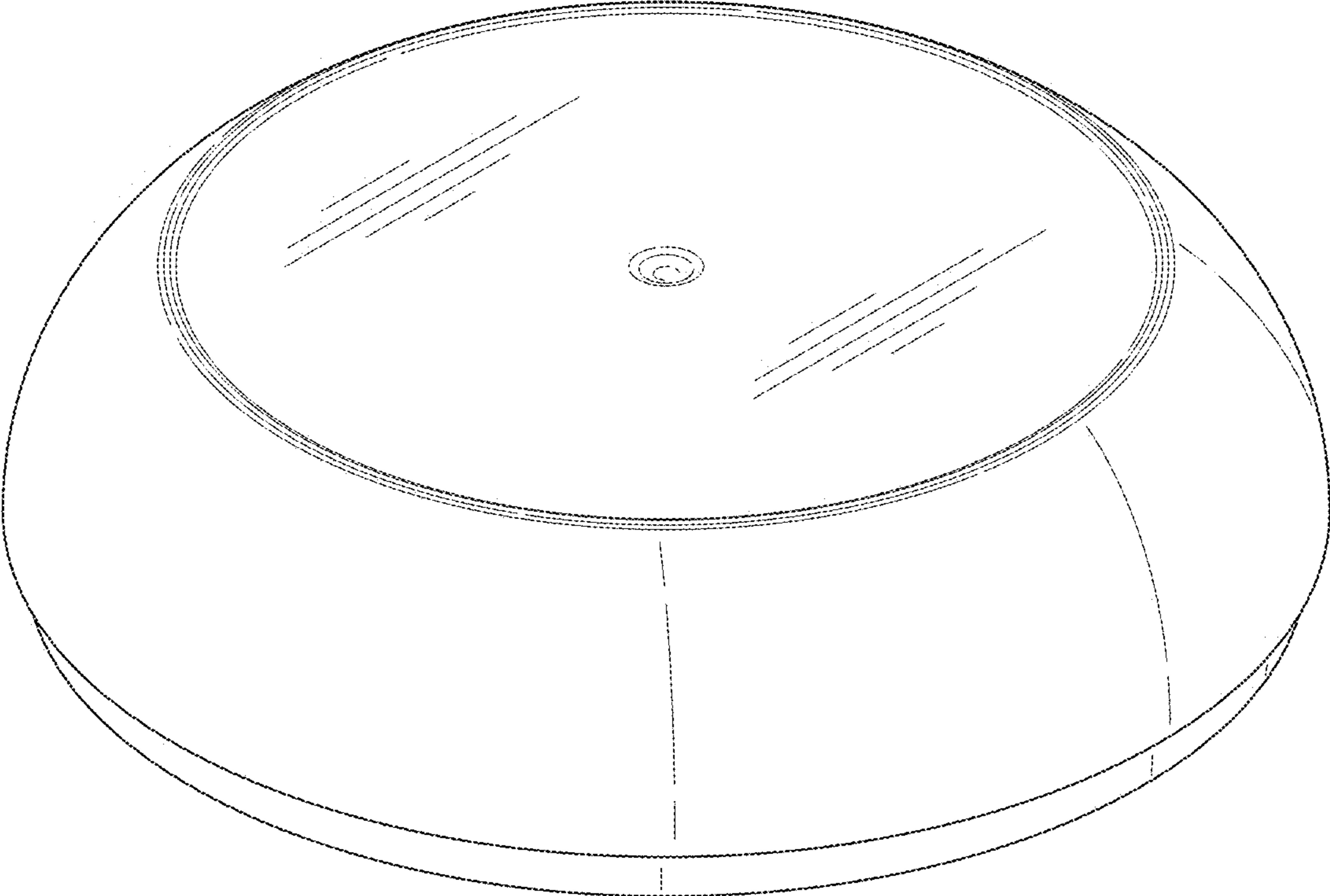


Fig. 1

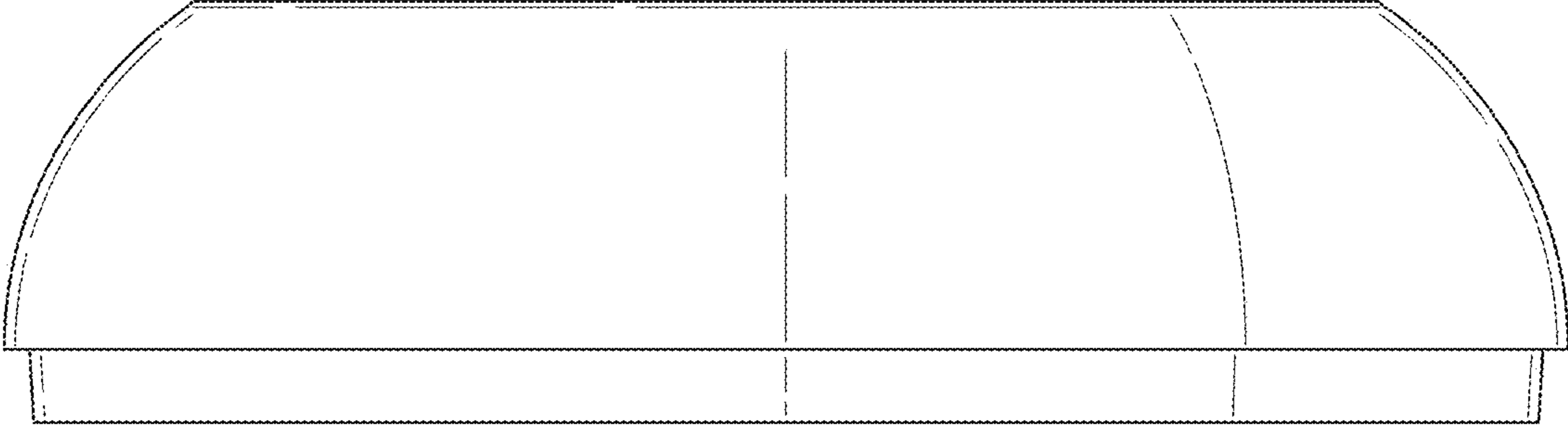


Fig. 2

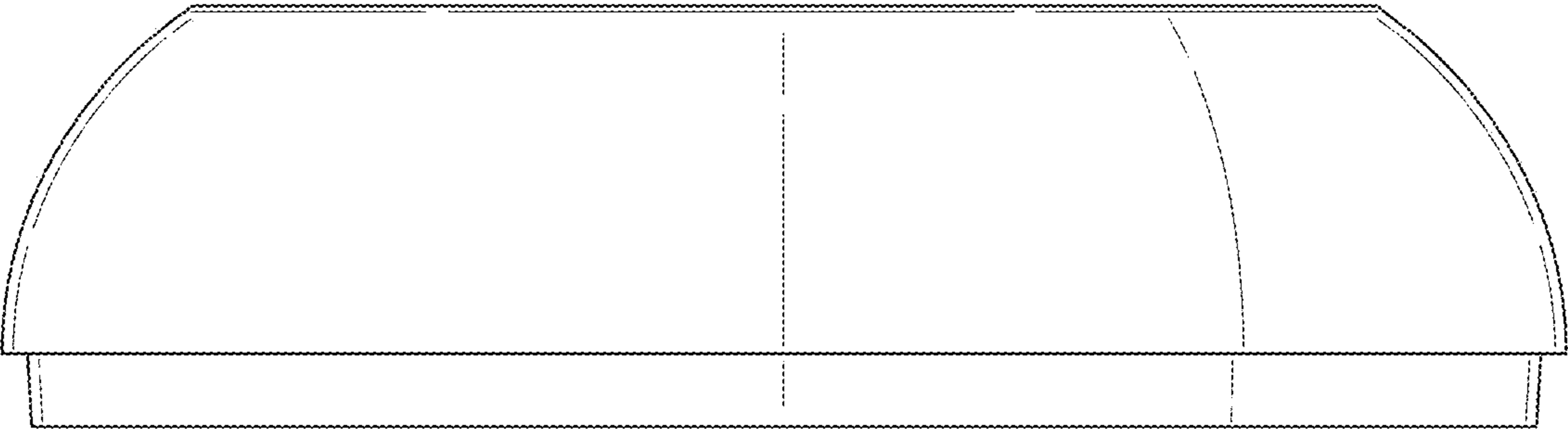


Fig. 3

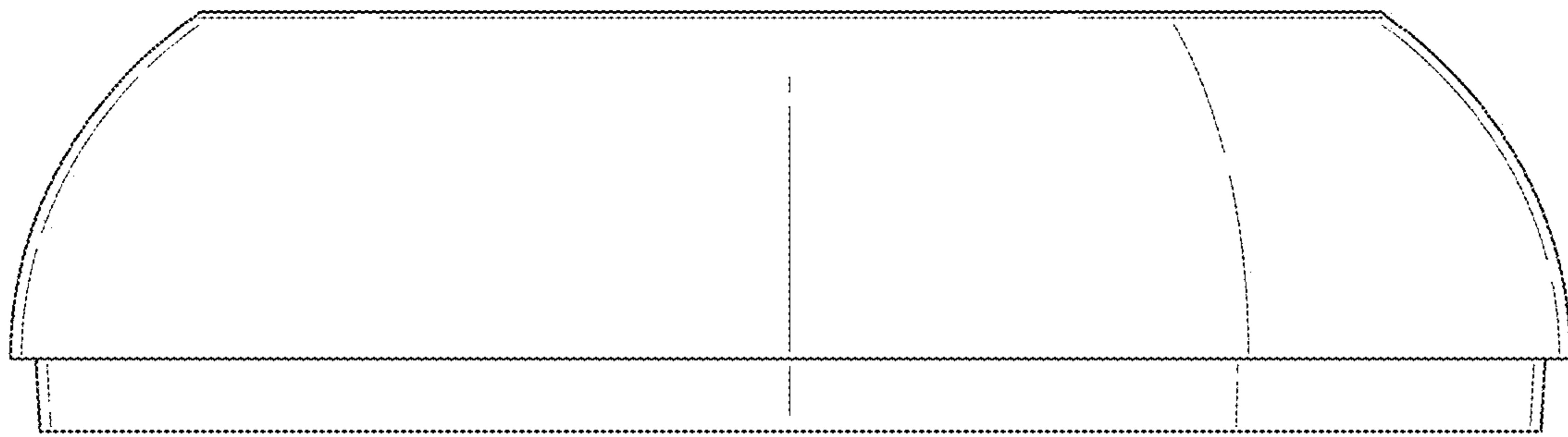


Fig. 4

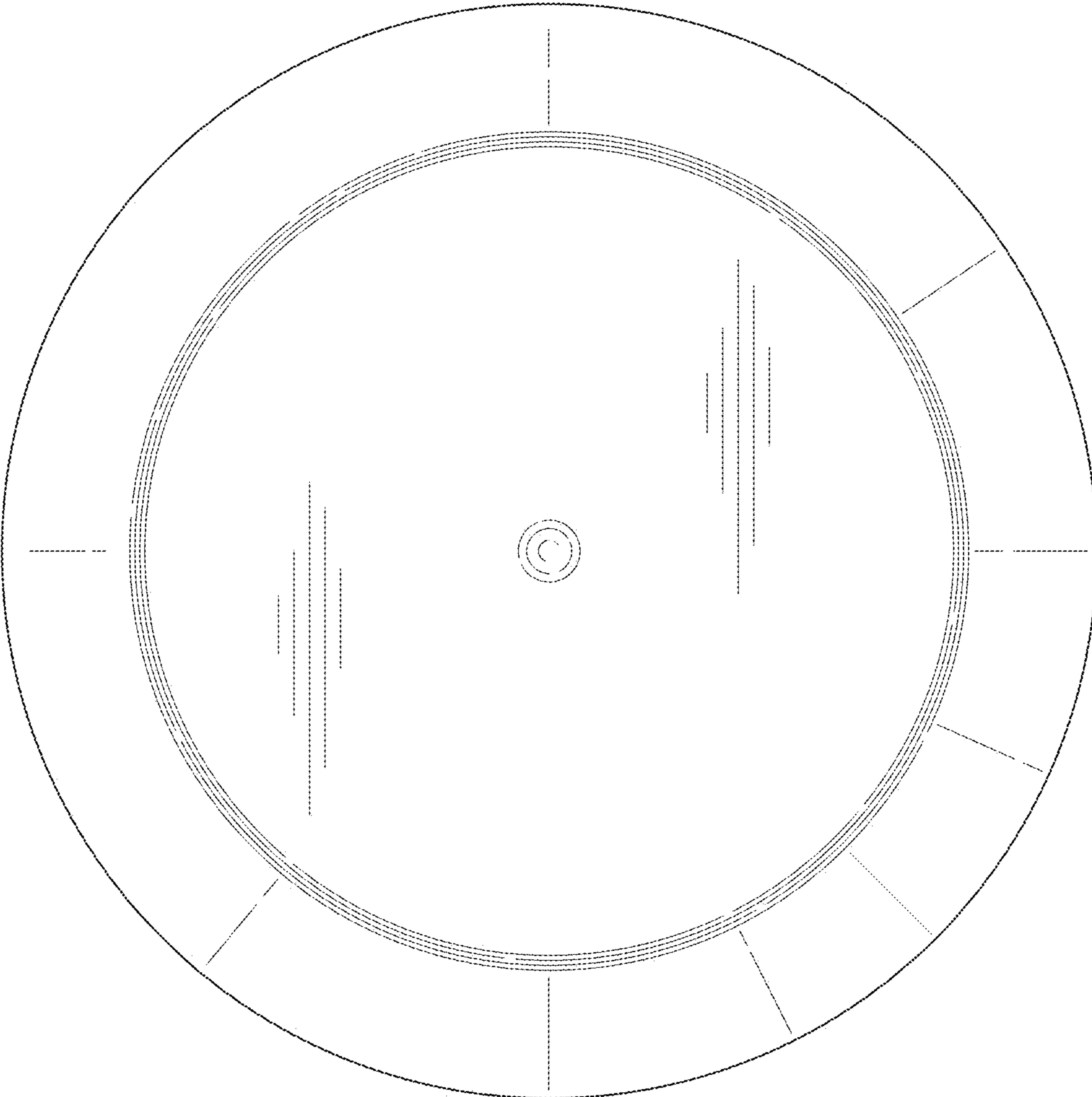


Fig. 5

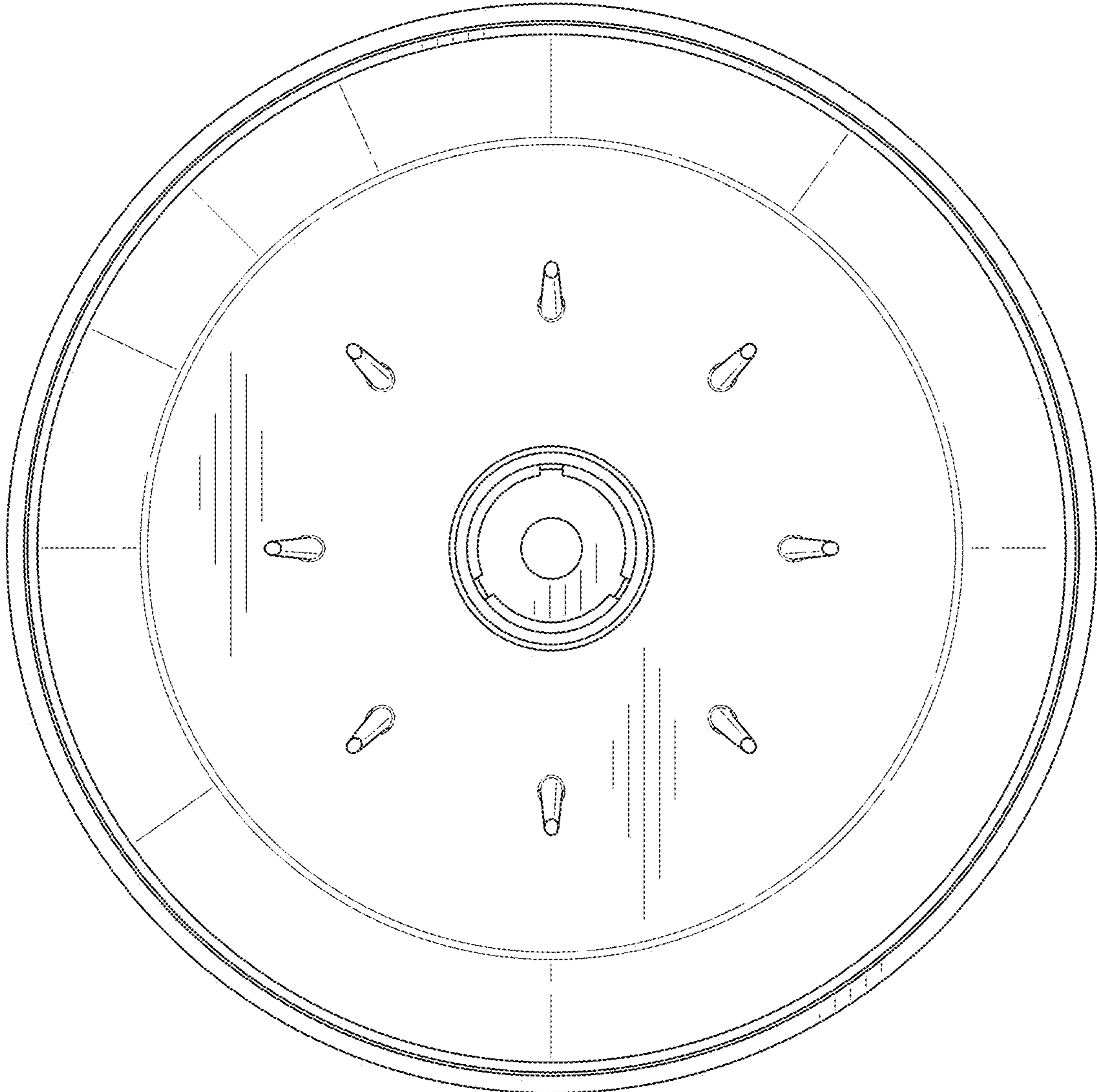


Fig. 6

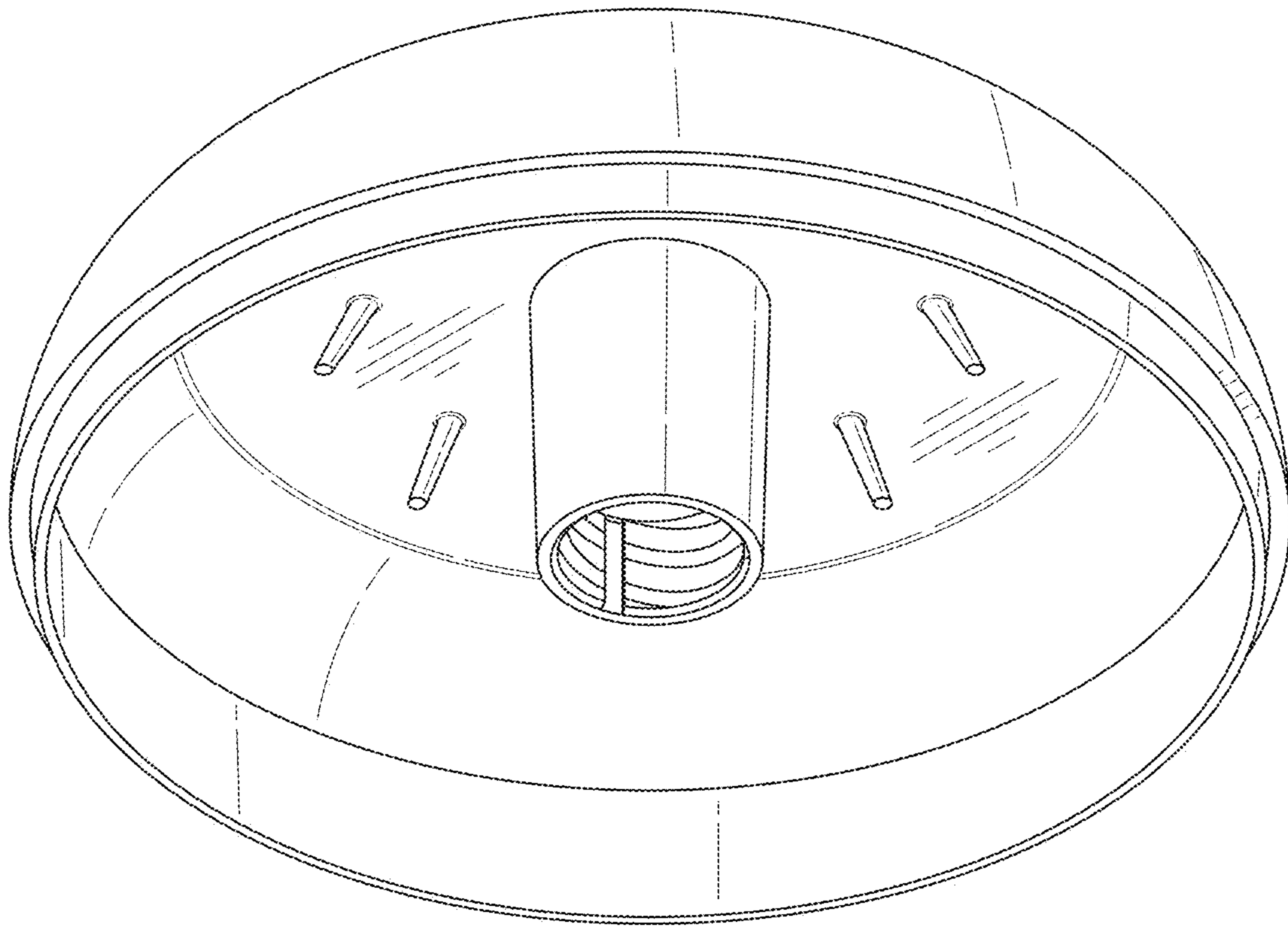


Fig. 7