



US00D873398S

(12) **United States Design Patent** (10) **Patent No.:** **US D873,398 S**  
**Seo** (45) **Date of Patent:** **\*\* Jan. 21, 2020**

(54) **AIR PURIFIER**

(71) Applicant: **Coway Co., Ltd.,**  
Choongcheongnam-do (KR)

(72) Inventor: **Jin-Gyu Seo, Seoul (KR)**

(73) Assignee: **Coway Co., Ltd.,**  
Choongcheongnam-do (KR)

(\*\*) Term: **15 Years**

(21) Appl. No.: **29/655,390**

(22) Filed: **Jul. 3, 2018**

(30) **Foreign Application Priority Data**

Jan. 5, 2018 (KR) ..... 30-2018-0000955

(51) **LOC (12) Cl.** ..... **23-04**

(52) **U.S. Cl.**  
USPC ..... **D23/364**

(58) **Field of Classification Search**

USPC ..... D23/355-366, 352, 369, 332, 333, 335,  
D23/336, 342, 351; 422/120, 122;  
55/356, 473, 504; 96/971; 261/DIG. 17,  
261/DIG. 65, DIG. 88, DIG. 31  
CPC .. A61L 9/16; A61L 9/22; B01D 47/00; B01D  
47/027; B01D 2221/02; B01D 2259/4508;  
B03C 3/155; B03C 3/368; F24F 3/16;  
F24F 13/20; F24F 13/28

See application file for complete search history.

(56) **References Cited**

U.S. PATENT DOCUMENTS

6,126,727 A \* 10/2000 Lo ..... H01T 23/00  
95/75  
6,355,095 B1 \* 3/2002 Kuo-Long ..... A61L 9/16  
55/385.3

D539,883 S \* 4/2007 Lee ..... D23/351  
D543,264 S \* 5/2007 Francis ..... D23/364  
D561,320 S \* 2/2008 Chen ..... D23/366  
D594,538 S \* 6/2009 Tsuji ..... D23/351  
D603,032 S \* 10/2009 Okamoto ..... D23/364  
D607,093 S \* 12/2009 Yanez ..... D23/317  
D609,795 S \* 2/2010 Yeung ..... D23/332  
D610,663 S \* 2/2010 Yeung ..... D23/332  
D619,235 S \* 7/2010 Mueller ..... D23/351  
D726,295 S \* 4/2015 Kim ..... D23/351  
D855,166 S \* 7/2019 Bae ..... D23/351

\* cited by examiner

*Primary Examiner* — David G Muller

(74) *Attorney, Agent, or Firm* — Millen, White, Zelano &  
Branigan, P.C.; William Nixon

(57) **CLAIM**

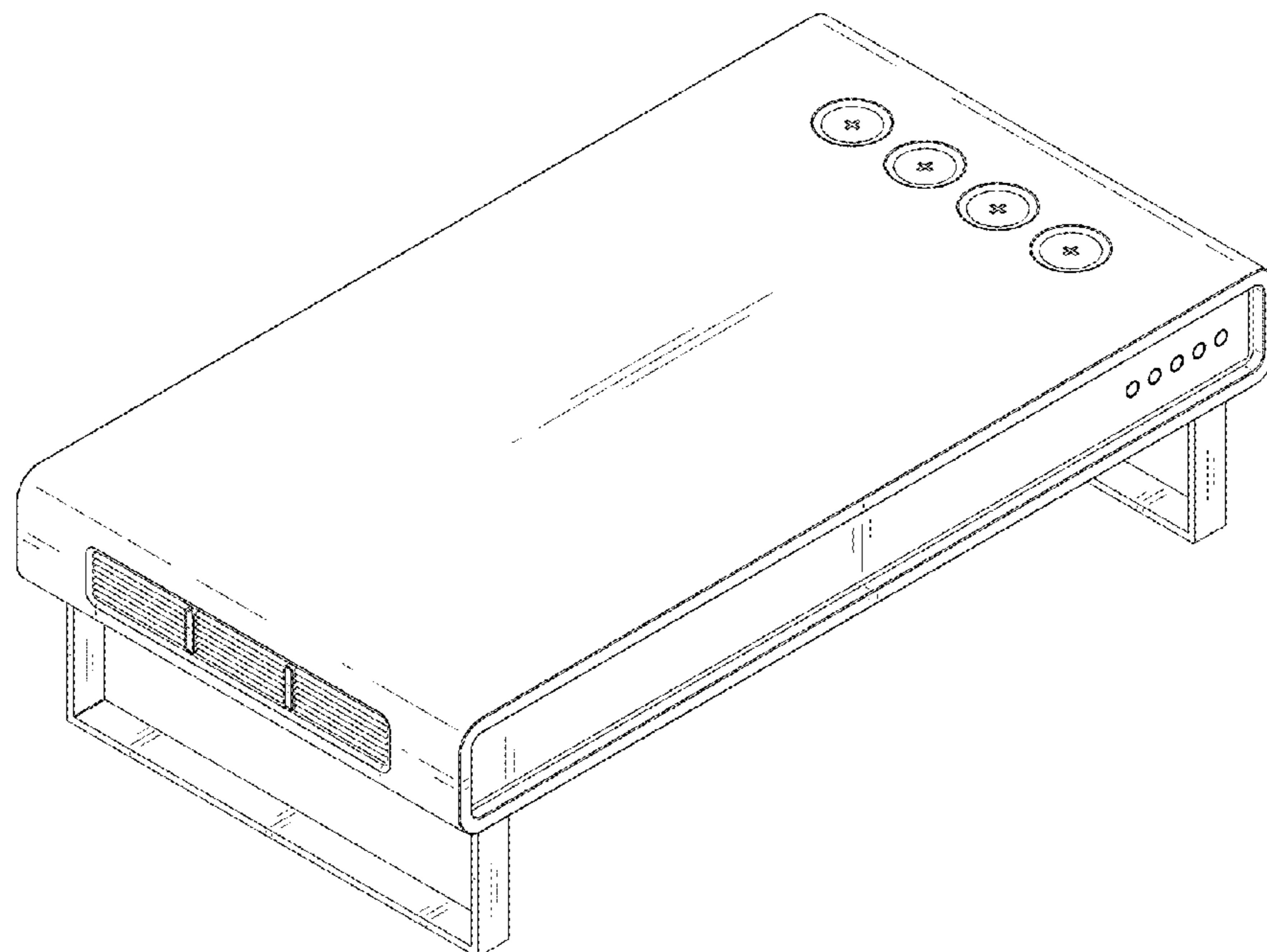
The ornamental design for an air purifier, as shown and described.

**DESCRIPTION**

FIG. 1 illustrates a front top perspective view of the air purifier showing my new design;  
FIG. 2 illustrates a front elevational view thereof;  
FIG. 3 illustrates a rear elevational view thereof;  
FIG. 4 illustrates a left side elevational view thereof;  
FIG. 5 illustrates a right side elevational view thereof;  
FIG. 6 illustrates a top plan view thereof;  
FIG. 7 illustrates a bottom plan view thereof; and,  
FIG. 8 illustrates a front perspective view of the air purifier in an alternative environment.

The broken lines in the drawings illustrate environmental portions of the air purifier which form no part of the claimed design.

**1 Claim, 8 Drawing Sheets**



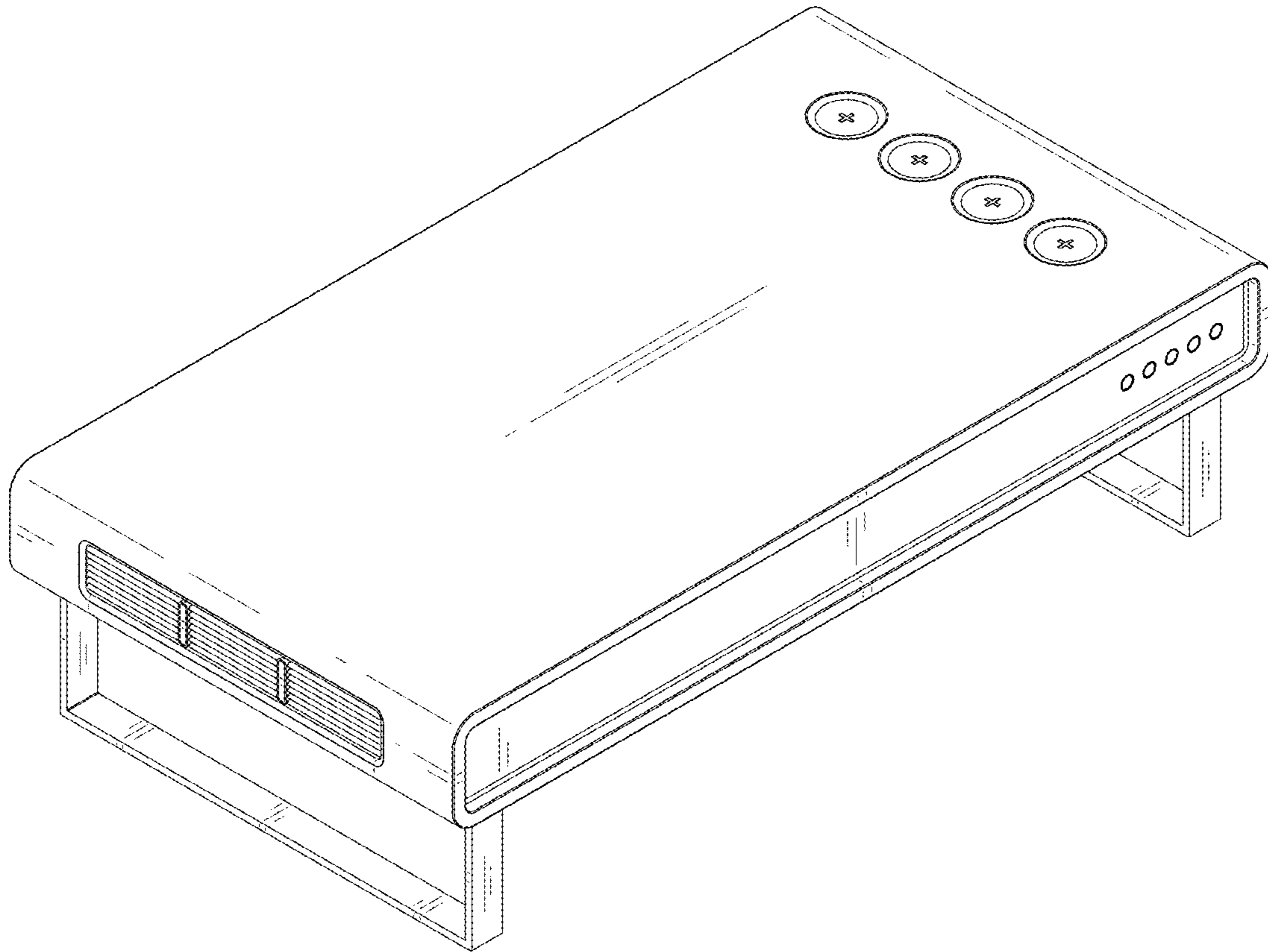


FIG. 1

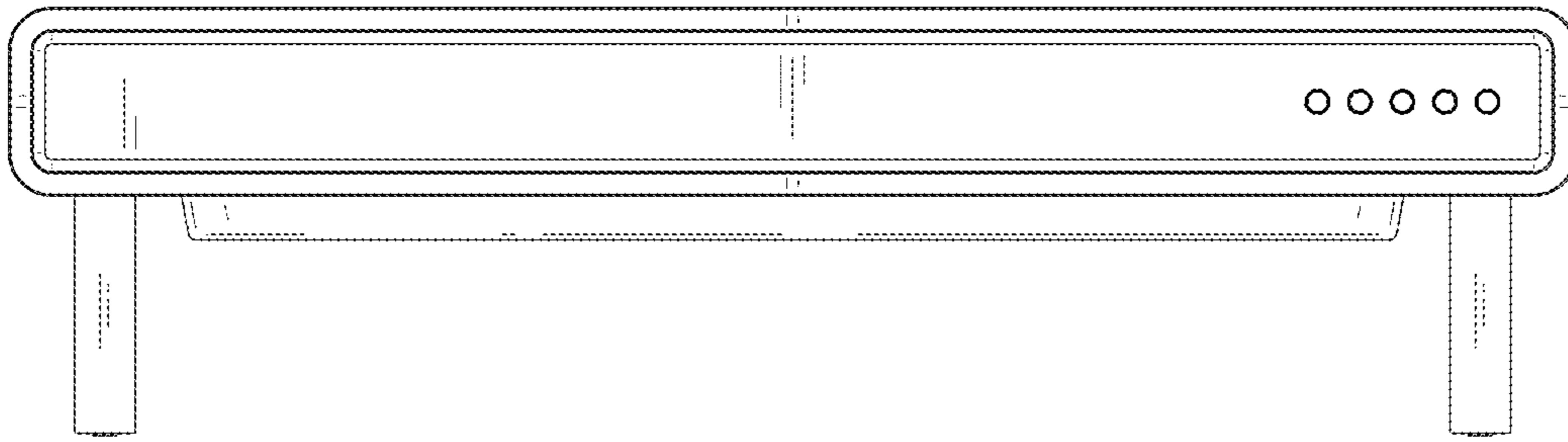


FIG. 2

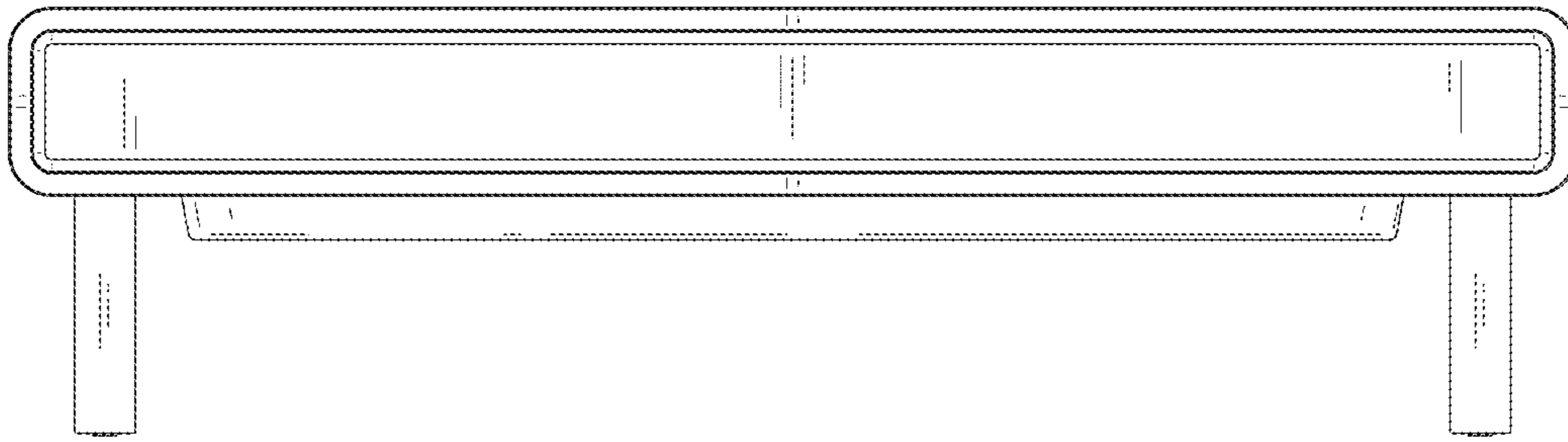


FIG. 3

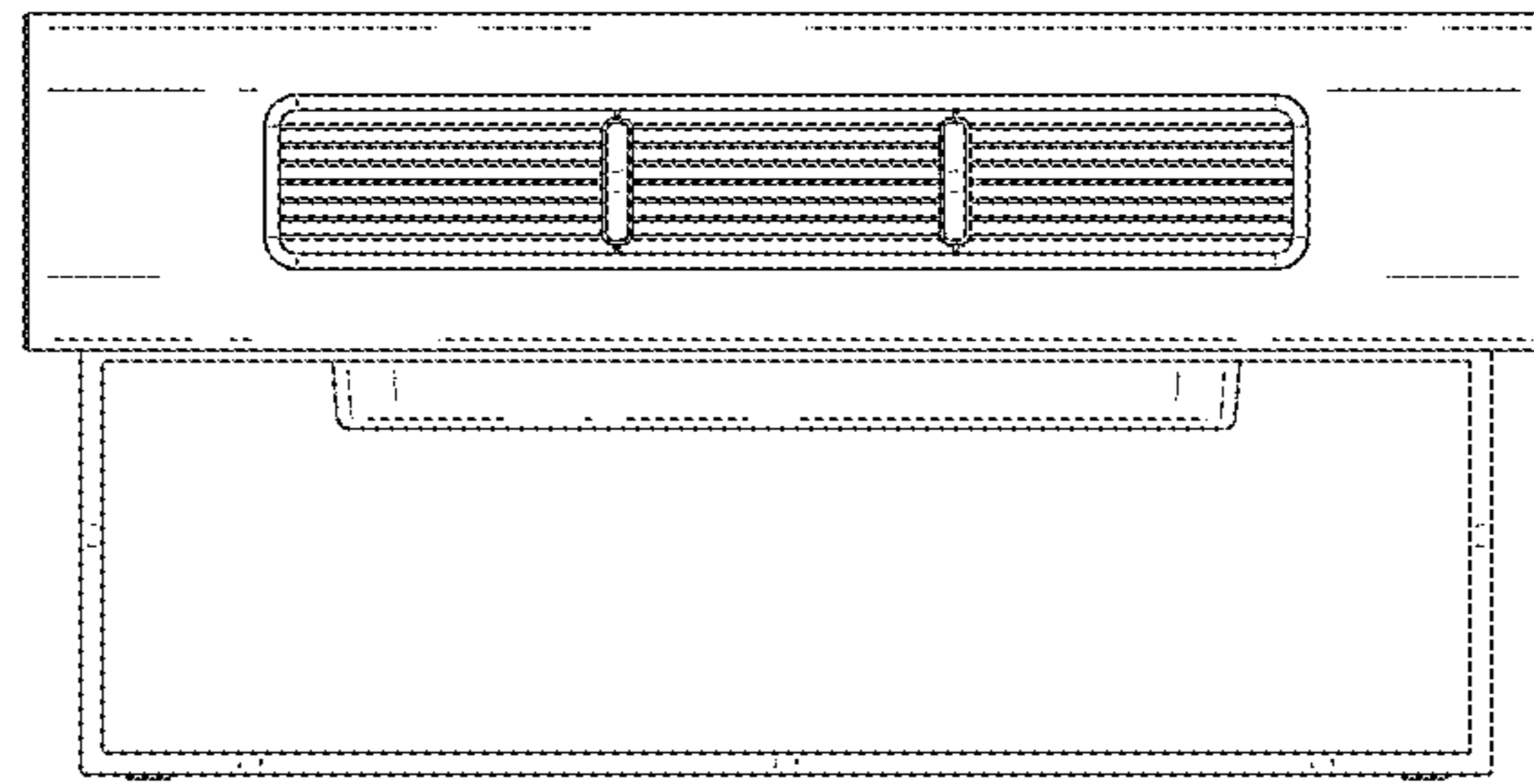


FIG. 4

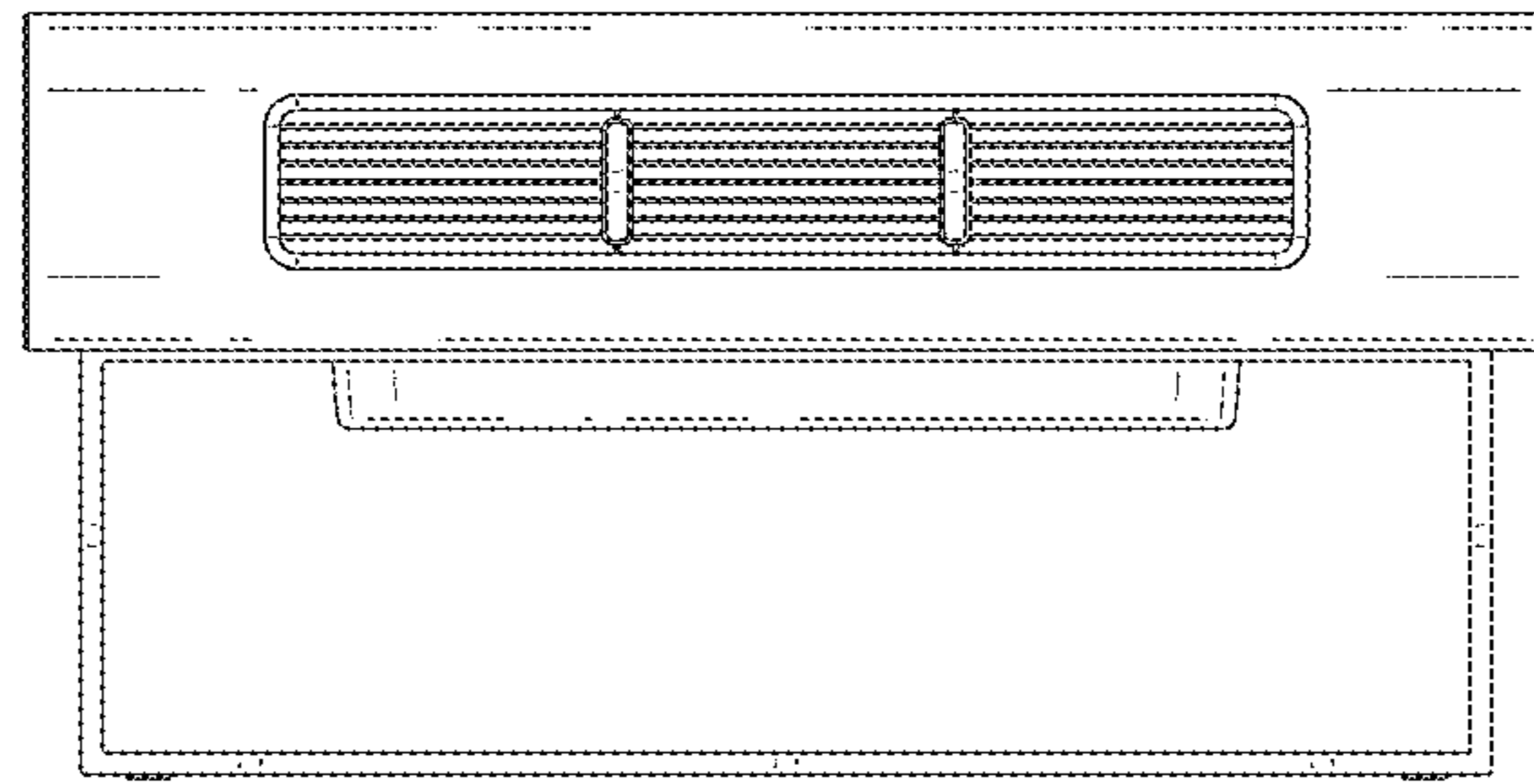


FIG. 5

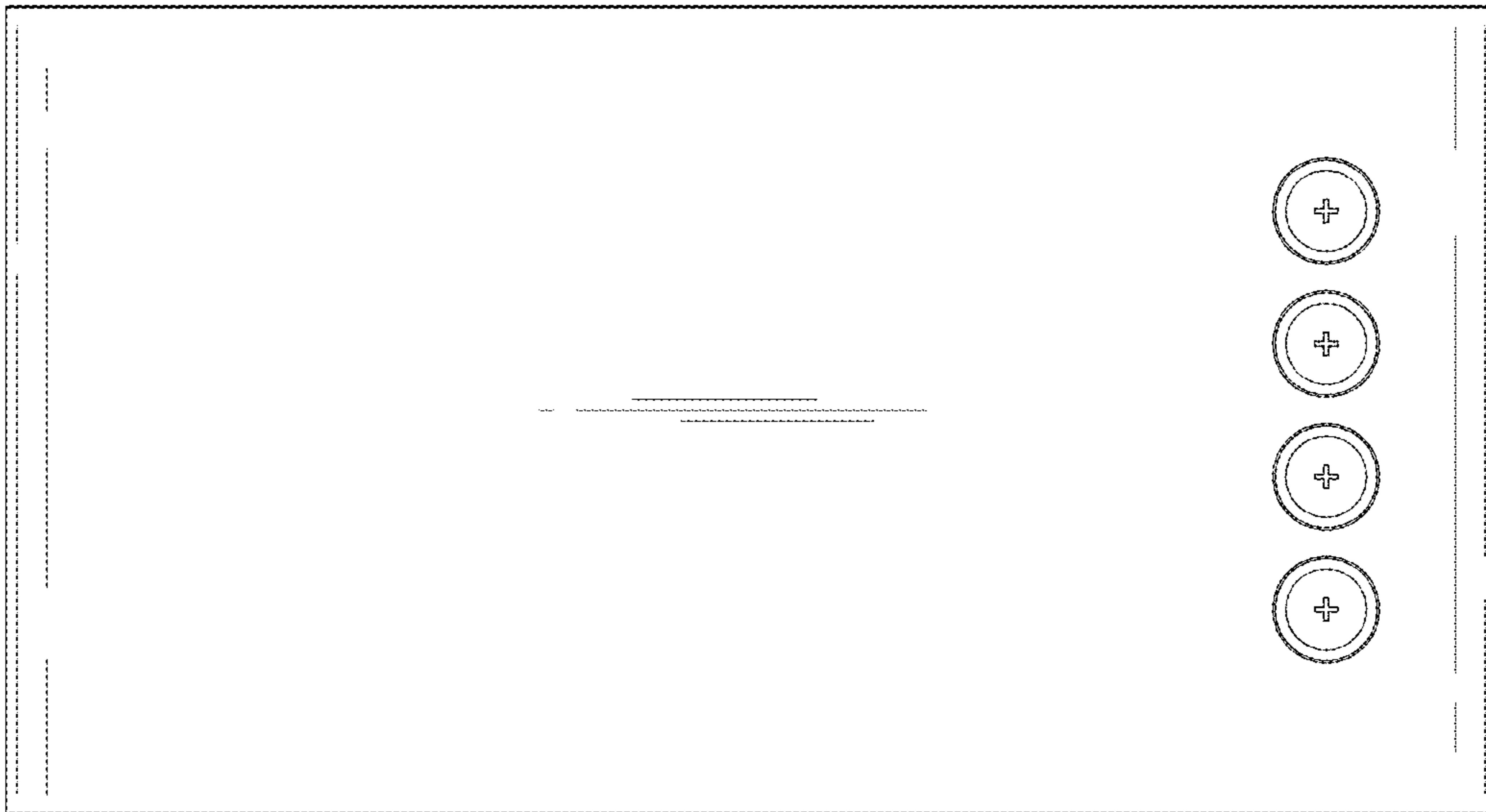


FIG. 6

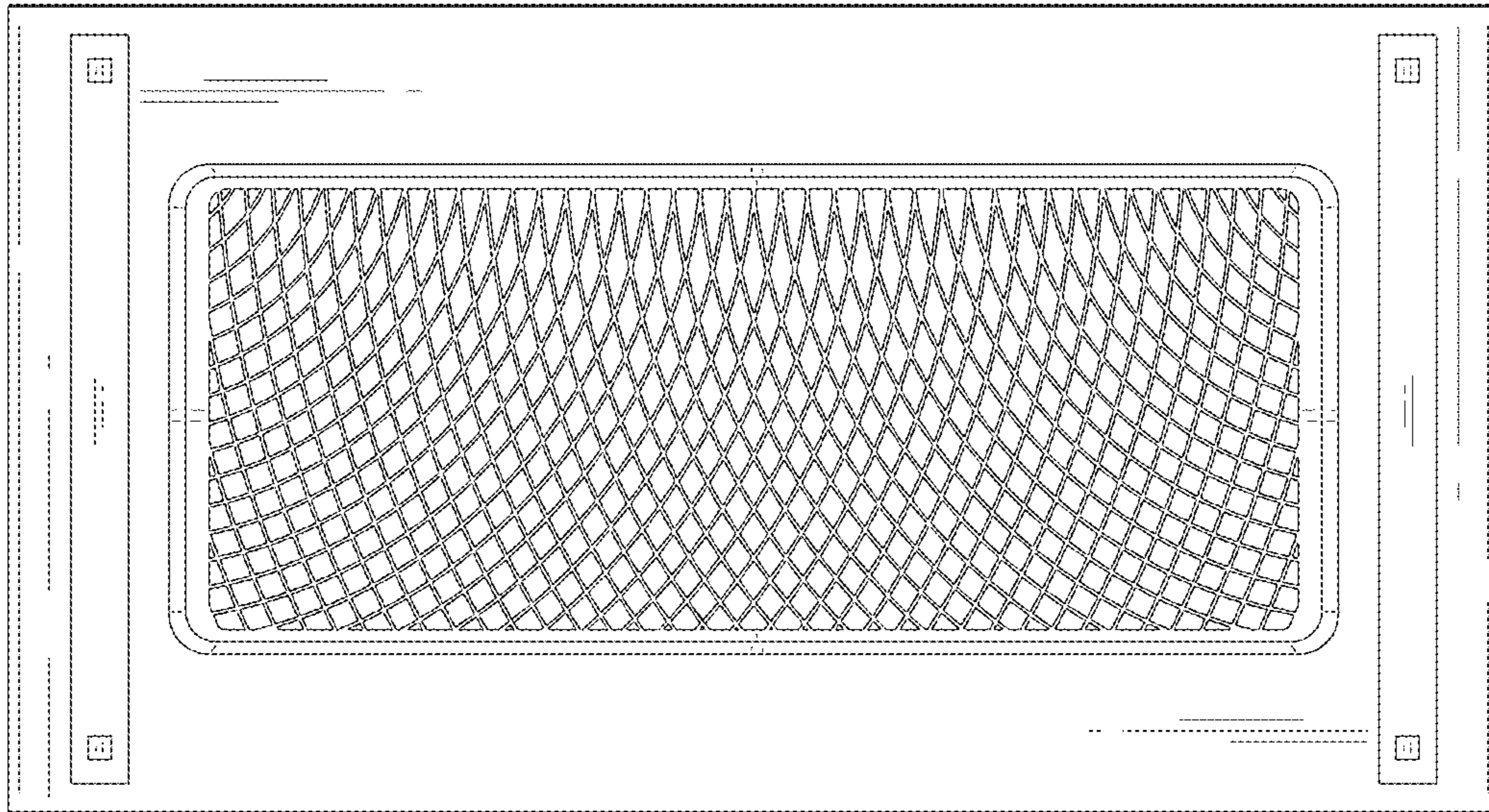


FIG. 7



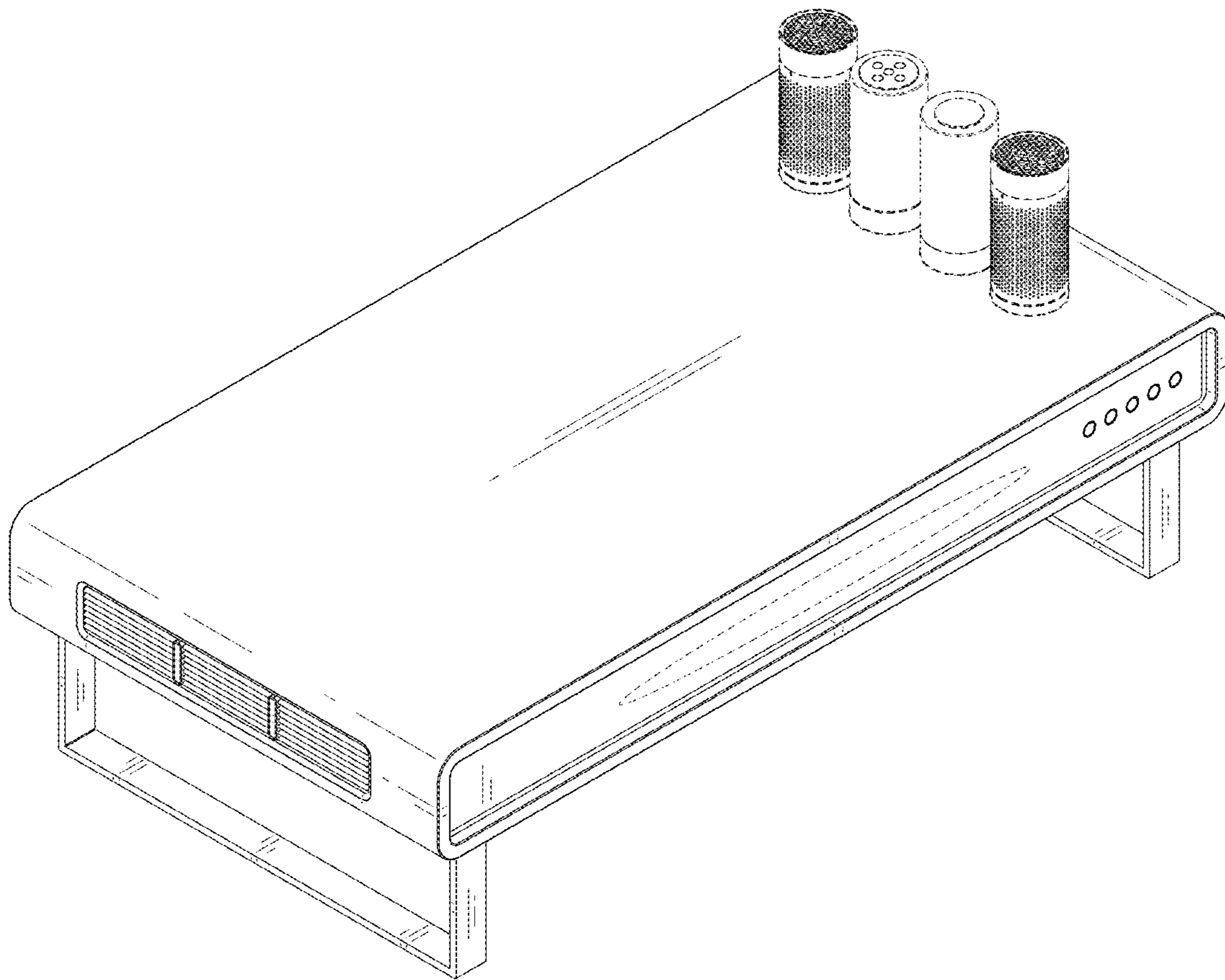


FIG. 8