



US00D873396S

(12) **United States Design Patent**
Matsushima

(10) **Patent No.:** **US D873,396 S**

(45) **Date of Patent:** **** Jan. 21, 2020**

(54) **COOLER**

(71) Applicant: **SHOWA DENKO K.K.**, Tokyo (JP)

(72) Inventor: **Seiji Matsushima**, Oyama (JP)

(73) Assignee: **SHOWA DENKO K.K.**, Tokyo (JP)

(**) Term: **15 Years**

(21) Appl. No.: **29/580,136**

(22) Filed: **Oct. 6, 2016**

(30) **Foreign Application Priority Data**

Apr. 6, 2016 (JP) D2016-007642
Apr. 6, 2016 (JP) D2016-007643

(51) **LOC (12) Cl.** **23-03**

(52) **U.S. Cl.**
USPC **D23/314**

(58) **Field of Classification Search**
USPC D23/314, 322, 323; D13/122, 179, 182
CPC F28F 3/00; H01L 23/473; H01L 23/427
See application file for complete search history.

(56) **References Cited**

U.S. PATENT DOCUMENTS

D715,747 S * 10/2014 Imoto D13/179
D755,741 S * 5/2016 Prajuckamol D13/182
D773,408 S * 12/2016 Lindeman D13/179
D774,472 S * 12/2016 Lindeman D13/179
D774,473 S * 12/2016 Lindeman D13/179
2004/0163798 A1 * 8/2004 Ghosh F28D 15/0233
165/104.21

2008/0030955 A1 * 2/2008 Chen G06F 1/203
361/700
2011/0272121 A1 * 11/2011 Suzuki H01L 23/473
165/104.19
2013/0284404 A1 * 10/2013 Matsushima B23P 15/26
165/104.19
2014/0091453 A1 * 4/2014 Mori H01L 23/473
257/712
2018/0263137 A1 * 9/2018 Jensen H05K 7/20254
2019/0221499 A1 * 7/2019 Chang B23P 15/26

* cited by examiner

Primary Examiner — T Chase Nelson

Assistant Examiner — Ania Aman

(74) *Attorney, Agent, or Firm* — Mori & Ward, LLP

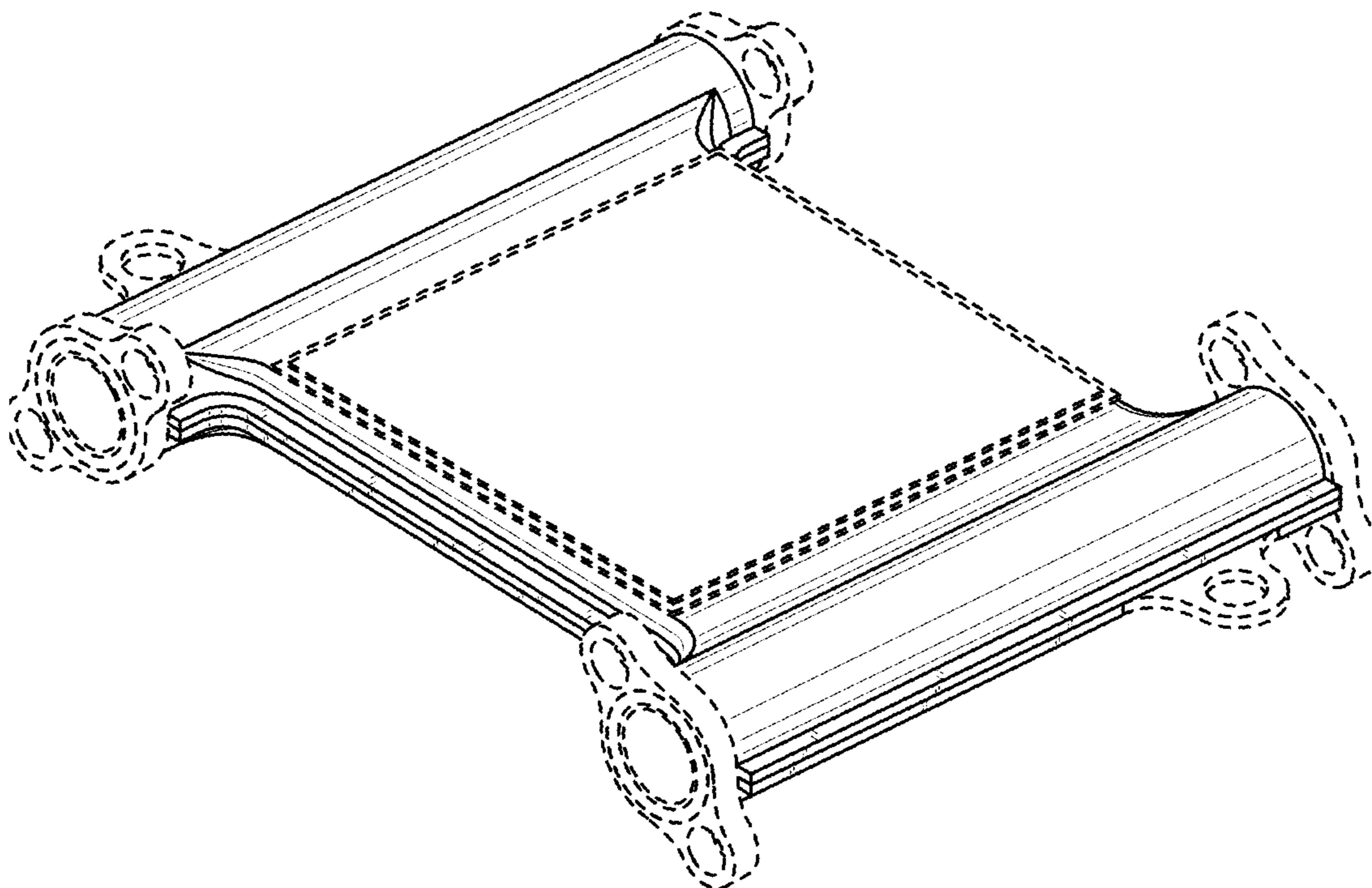
(57) **CLAIM**

The ornamental design for a cooler, as shown and described.

DESCRIPTION

FIG. 1 is a bottom and right front perspective view of a cooler showing my new design;
FIG. 2 is a front elevation view thereof;
FIG. 3 is a rear elevation view thereof;
FIG. 4 is a top plan view thereof;
FIG. 5 is a bottom plan view thereof;
FIG. 6 is a right side elevation view thereof;
FIG. 7 is a left side elevation view thereof;
FIG. 8 is a cross sectional view taken along line 8-8 in FIG. 2 with the inner structure omitted; and,
FIG. 9 is another cross sectional view taken along line 9-9 in FIG. 2 with the inner structure omitted.
Portions of the disclosure shown in broken lines form no part of the claimed design.

1 Claim, 4 Drawing Sheets



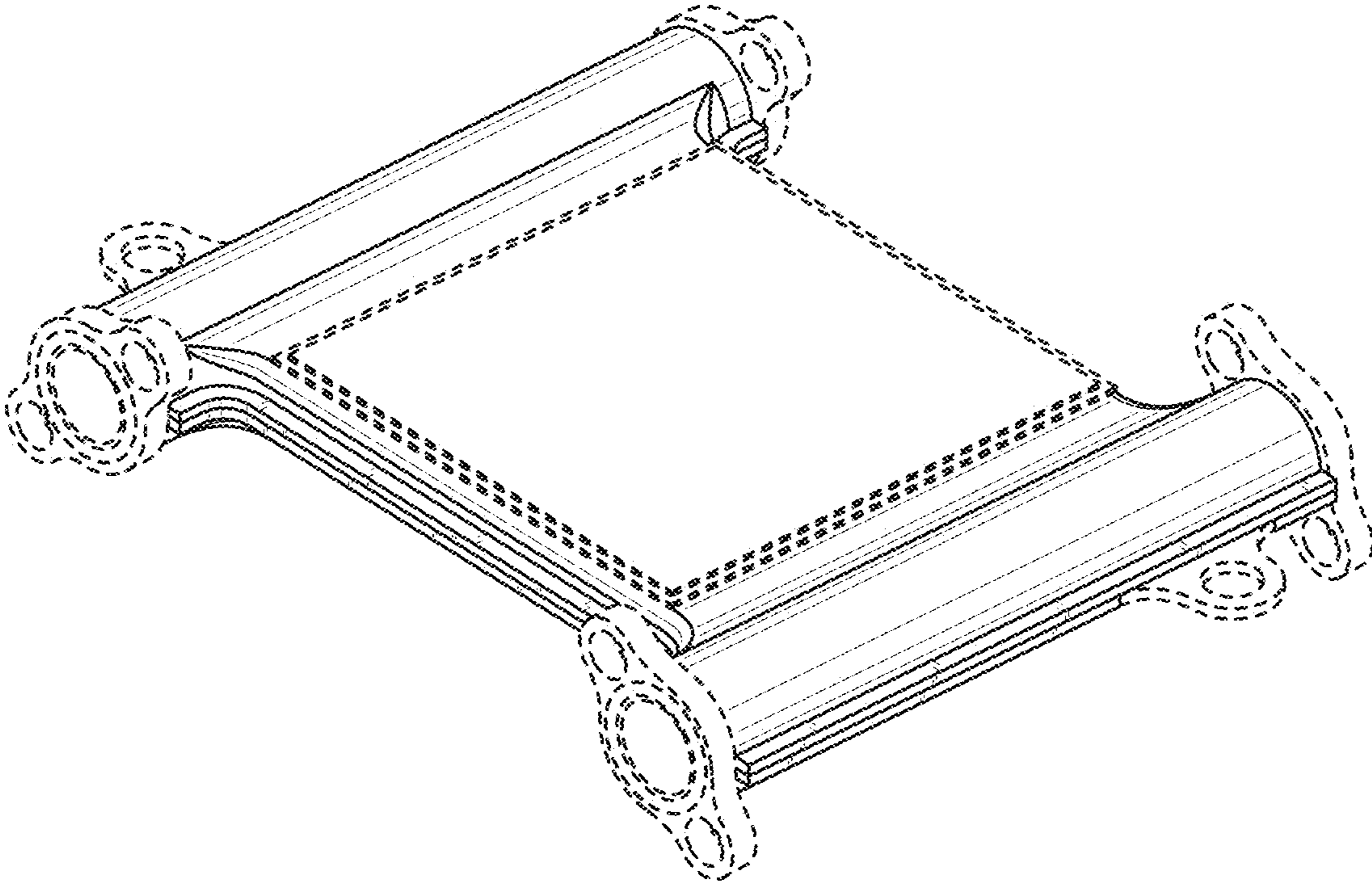


FIG. 1

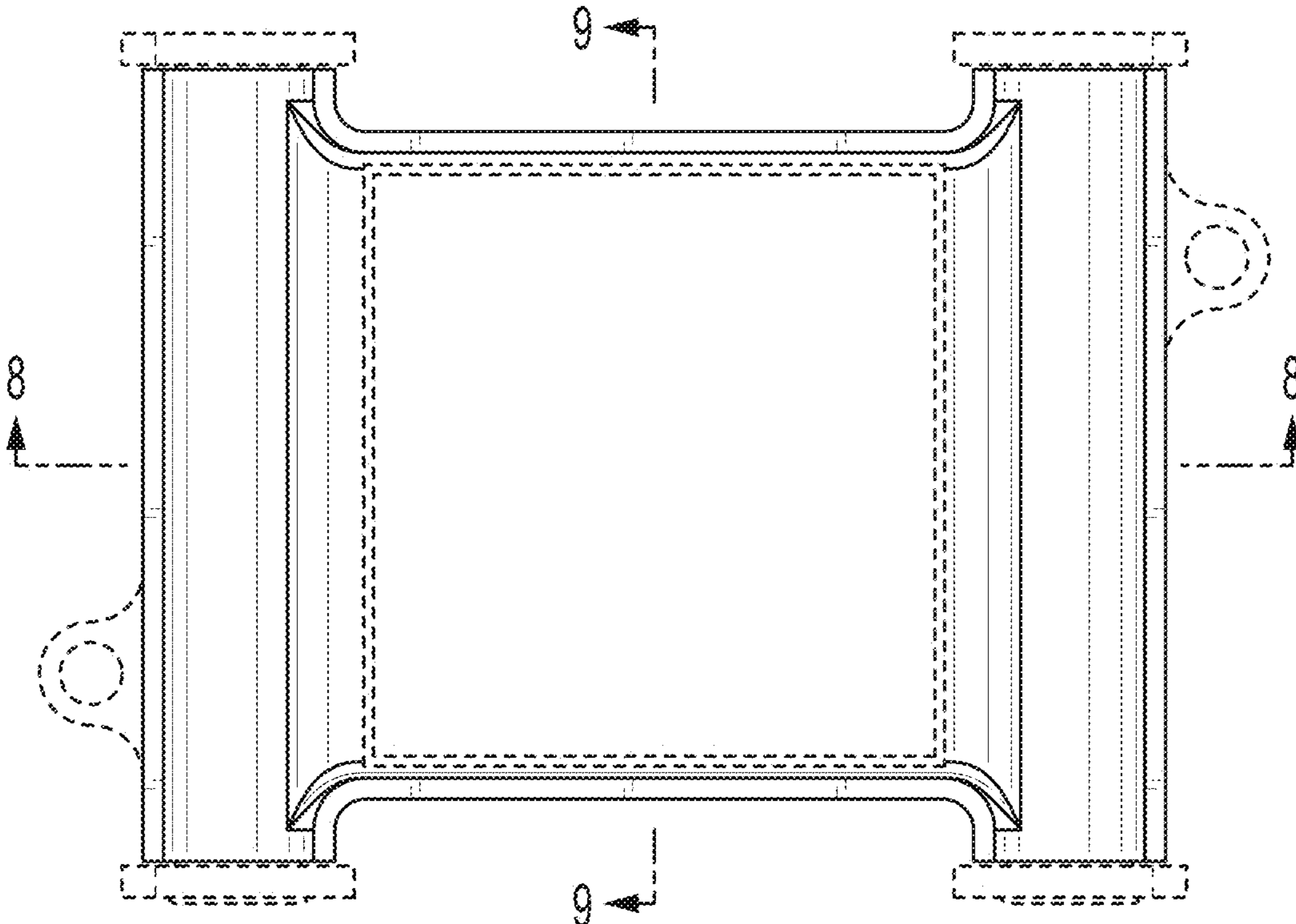


FIG. 2

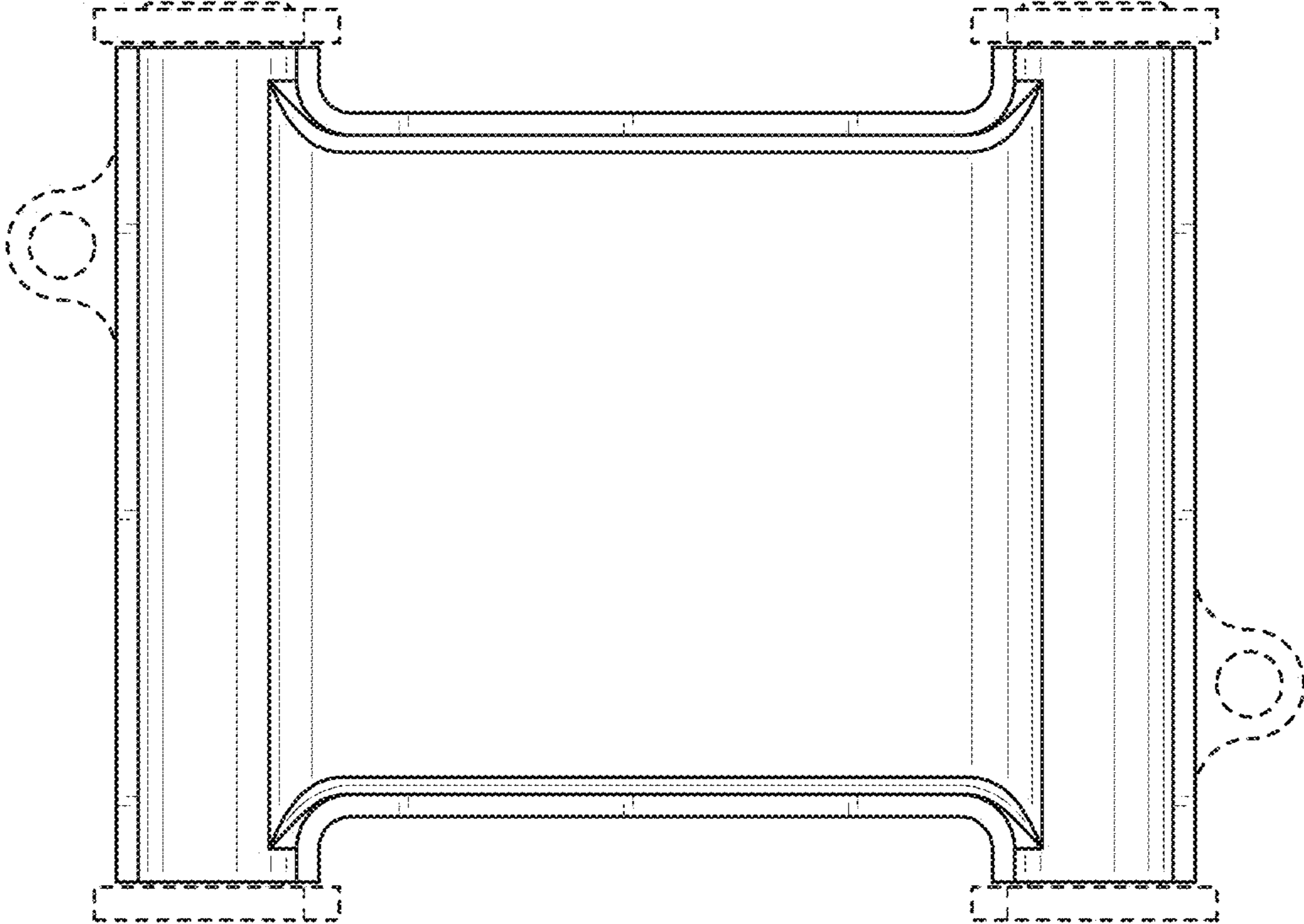


FIG. 3

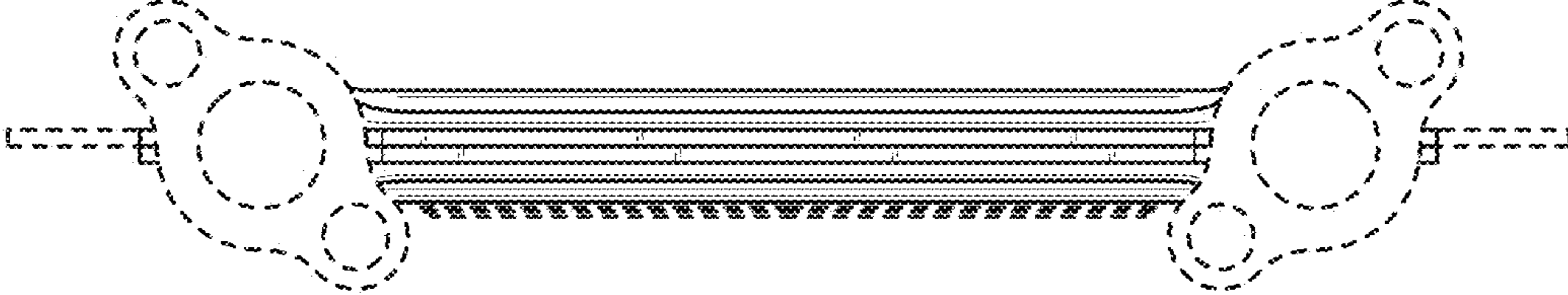


FIG. 4

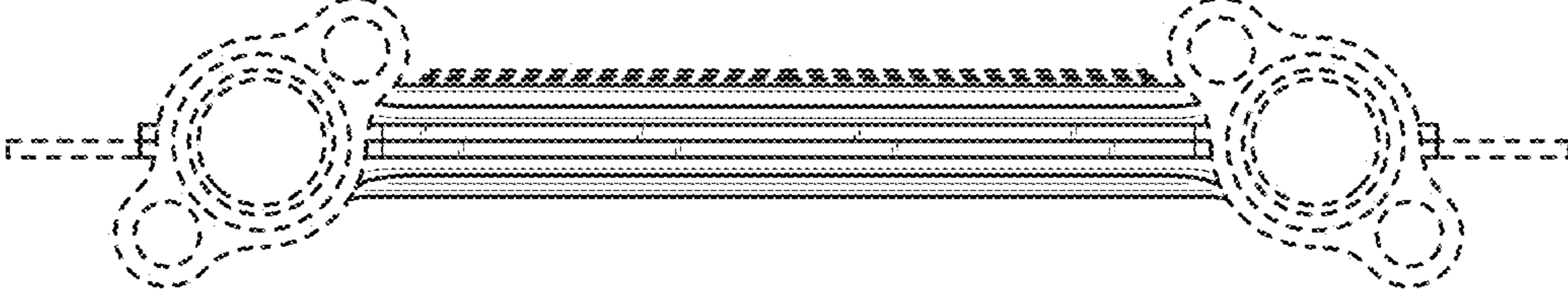


FIG. 5

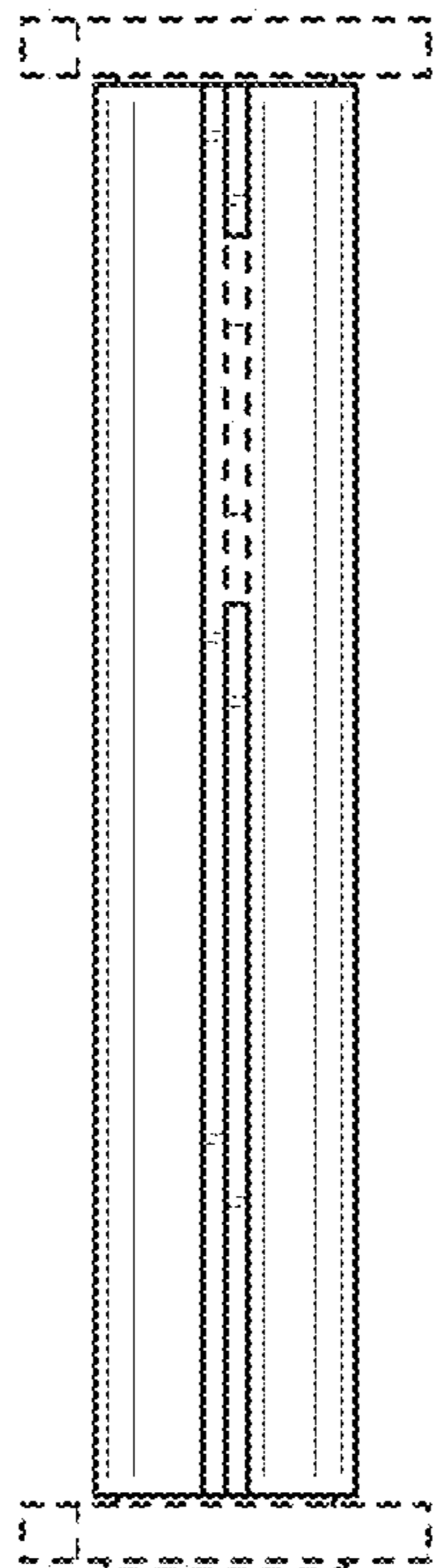


FIG. 6

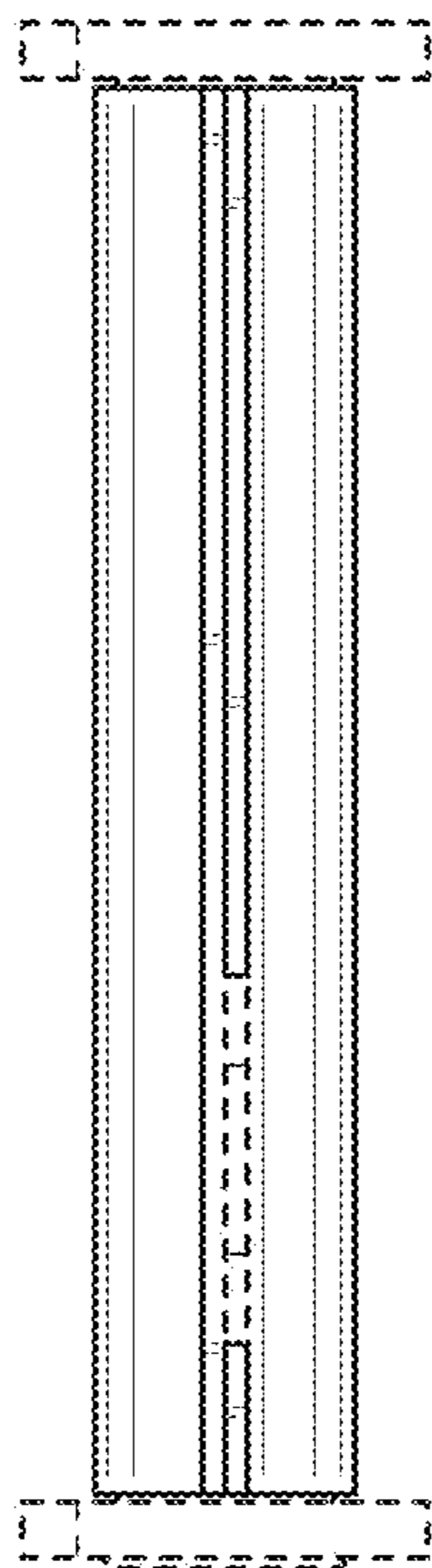


FIG. 7

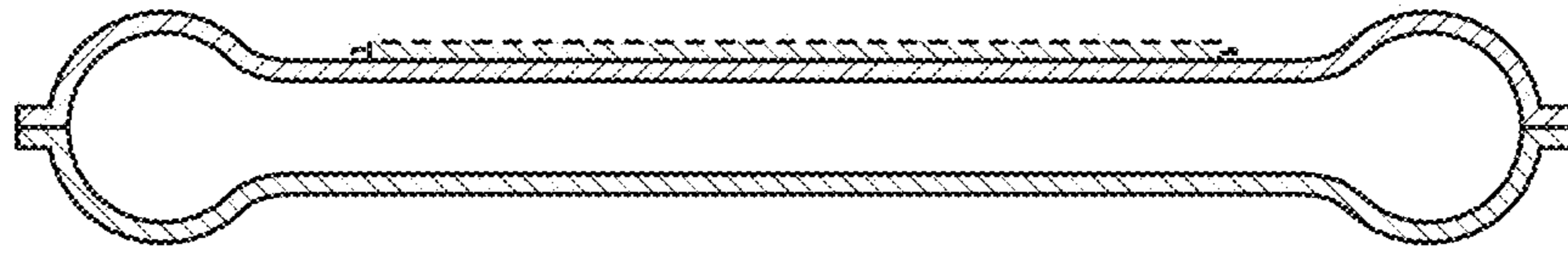


FIG. 8

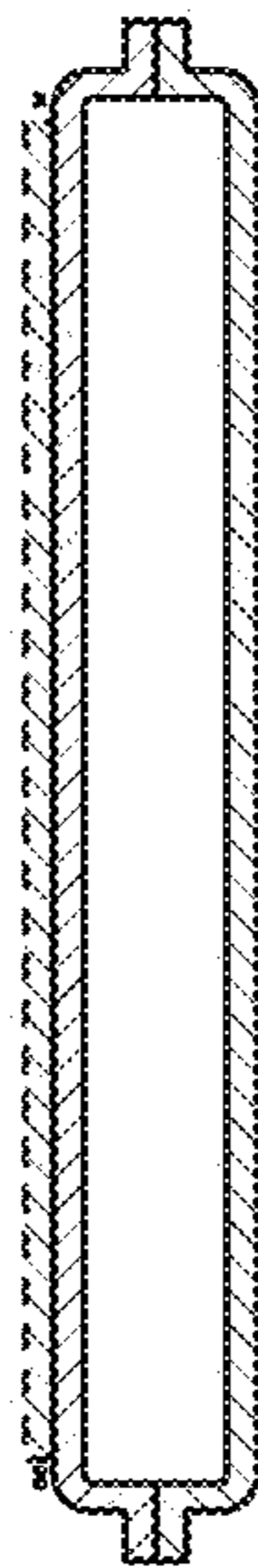


FIG. 9