



US00D873395S

(12) **United States Design Patent**
Sharratt et al.

(10) **Patent No.:** **US D873,395 S**
(45) **Date of Patent:** **** Jan. 21, 2020**

- (54) **TOILET SEAL**
- (71) Applicant: **Waxman Consumer Products Group Inc.**, Bedford Heights, OH (US)
- (72) Inventors: **Jason A. Sharratt**, Wadsworth, OH (US); **Tianzhe Wang**, Shaker Heights, OH (US)
- (73) Assignee: **Waxman Consumer Products Group Inc.**, Bedford Heights, OH (US)
- (**) Term: **15 Years**
- (21) Appl. No.: **29/673,655**
- (22) Filed: **Dec. 17, 2018**

Related U.S. Application Data

- (62) Division of application No. 29/549,541, filed on Dec. 22, 2015, now Pat. No. Des. 841,784.
- (51) **LOC (12) Cl.** **23-01**
- (52) **U.S. Cl.**
USPC **D23/269**
- (58) **Field of Classification Search**
USPC D23/269, 249, 259, 260, 262, 265, 303, D23/309; 277/351-354, 372, 603, 277/606-609; 285/95, 109, 133.21
CPC E03D 11/16; E03D 11/00; E04D 13/14; F16L 5/02; F16L 5/08; F16L 5/10
See application file for complete search history.

(56) **References Cited**

U.S. PATENT DOCUMENTS

- 2,529,587 A * 11/1950 Bates E03D 9/00
4/255.01
- 4,940,113 A * 7/1990 L'Heureux E03D 11/16
181/207
- 5,967,567 A * 10/1999 Nordstrom F16L 5/08
285/139.1
- 6,694,537 B2 * 2/2004 Telles E03D 11/16
4/252.1

- D728,758 S * 5/2015 Coronado D23/269
- D728,759 S * 5/2015 Gonzalez D23/269
- D730,498 S * 5/2015 Gonzalez D23/269
- 9,265,390 B2 * 2/2016 Dillard A47K 17/02
- D774,630 S * 12/2016 Mehari D23/269
- 9,534,367 B2 * 1/2017 Coronado E03D 11/17

(Continued)

OTHER PUBLICATIONS

Danco Perfect Seal Advertisement; the product shown in the advertisement was on sale more than one year prior to the filing date, namely, Dec. 21, 2014 (2 pages).

(Continued)

Primary Examiner — David G Muller

(74) *Attorney, Agent, or Firm* — John A. Yirga, Esq.; Tarolli, Sundheim, Covell & Tummino LLP

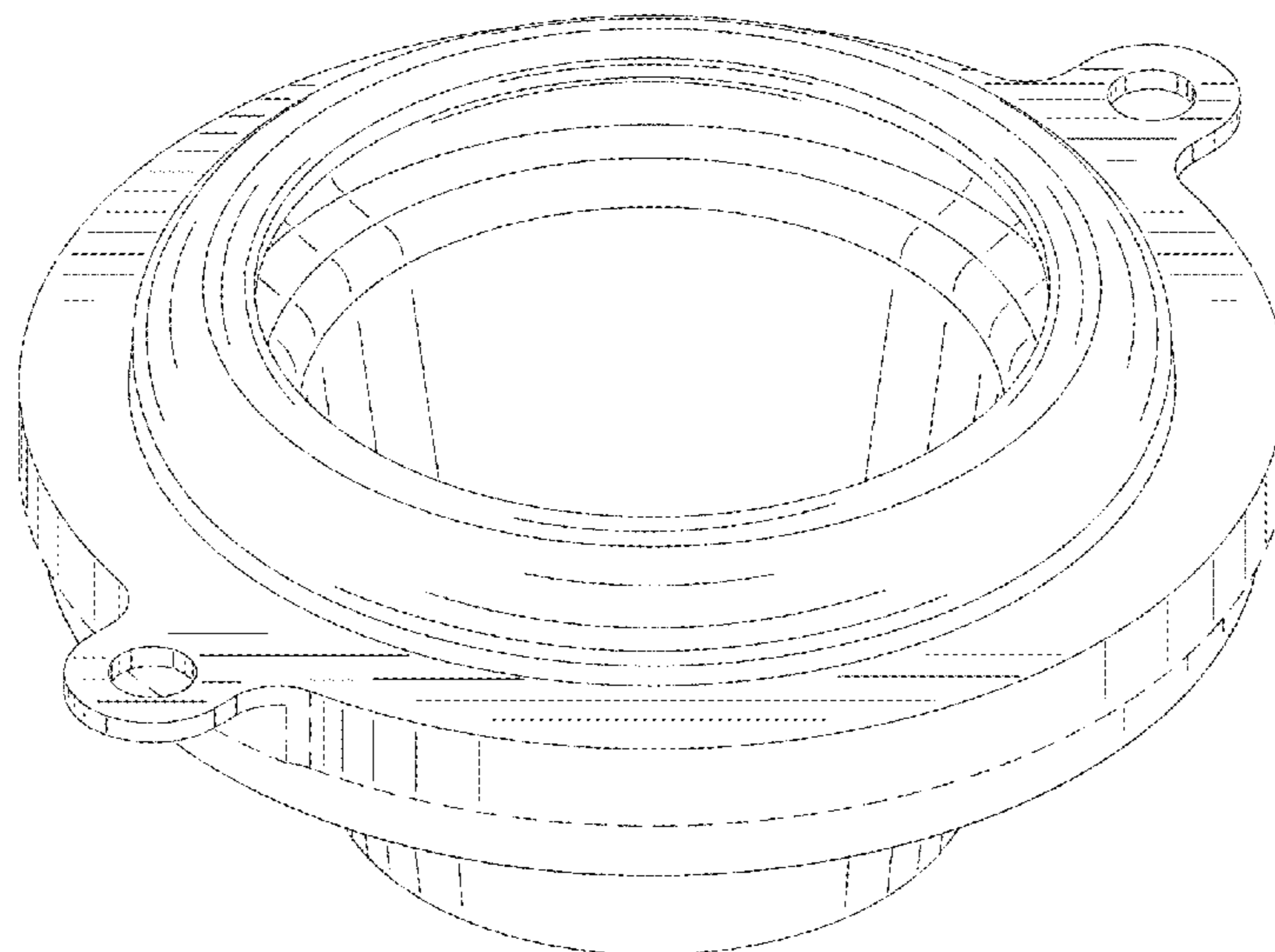
(57) **CLAIM**

The ornamental design for a toilet seal, as shown and described.

DESCRIPTION

FIG. 1 is a top perspective view of a toilet seal illustrated in accordance with our ornamental design;
 FIG. 2 is a bottom perspective view thereof;
 FIG. 3 is a top plan view thereof;
 FIG. 4 is a bottom plan view thereof;
 FIG. 5 is a left side elevation view thereof;
 FIG. 6 is a right side elevation view thereof;
 FIG. 7 is a front elevation view thereof;
 FIG. 8 is a rear elevation view thereof;
 FIG. 9 is an exploded top perspective assembly view of the toilet seal of FIG. 12;
 FIG. 10 is an elevated section view of the top plan view of FIG. 3 along section lines 10-10; and,
 FIG. 11 is an elevated section view of the top plan view of FIG. 3 along section lines 11-11.

1 Claim, 10 Drawing Sheets



(56)

References Cited

U.S. PATENT DOCUMENTS

D792,563 S * 7/2017 Coronado D23/269
D796,014 S * 8/2017 Haynes D23/269
9,758,957 B2 9/2017 Schuster
9,765,507 B2 9/2017 Schuster
9,783,976 B2 * 10/2017 Coronado E03D 11/16

OTHER PUBLICATIONS

Fluidmaster Universal Better Than Wax Toilet Seat Advertisements and photographs that were on sale more than one year prior the filing date, namely, Dec. 21, 2014 (7 pages).

Korky Universal Wax Free Seal Kit Advertisements and photographs that were on sale more than one year prior to the filing date, namely, Dec. 21, 2014 (6 pages).

* cited by examiner

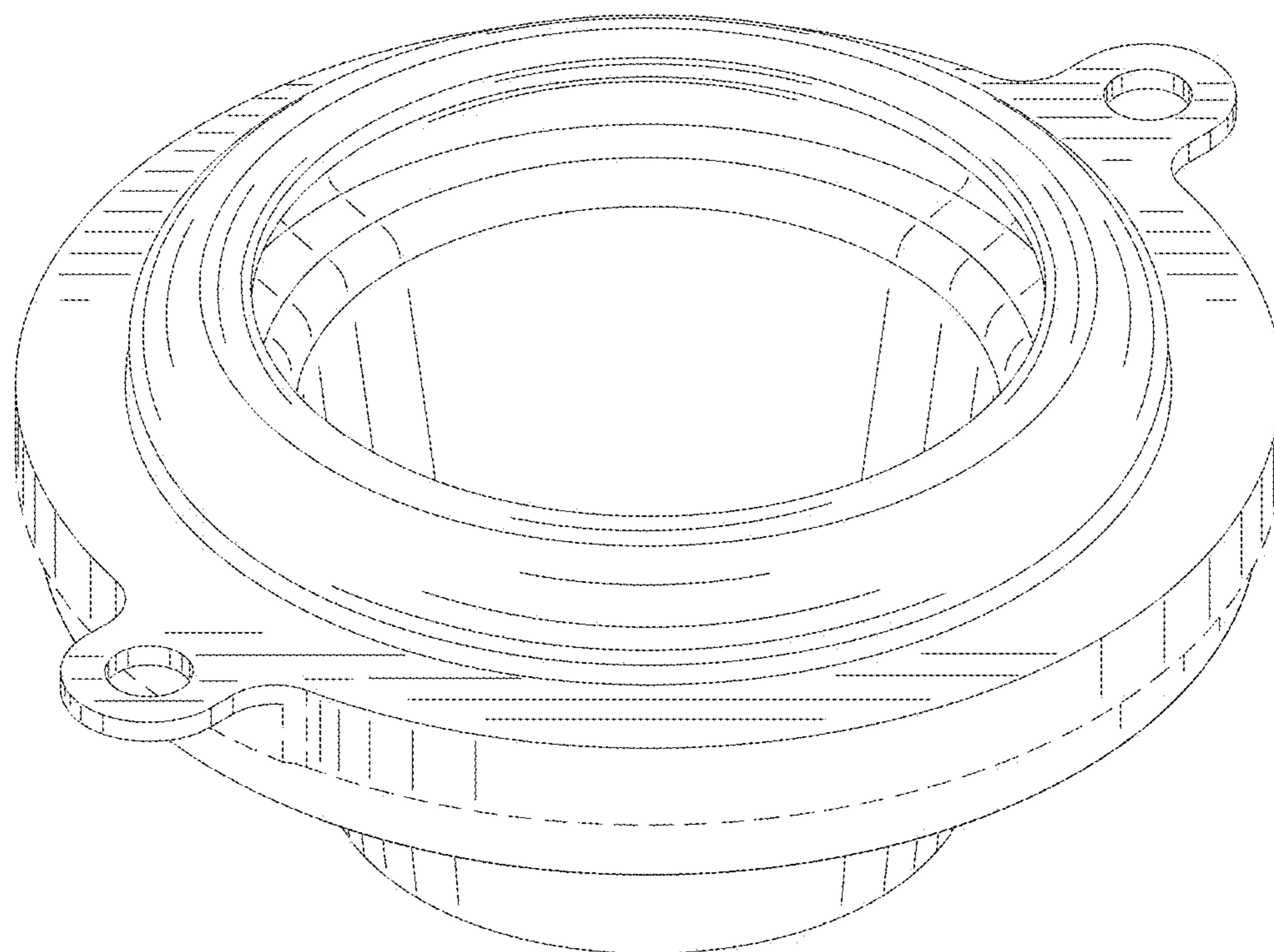


FIG. 1

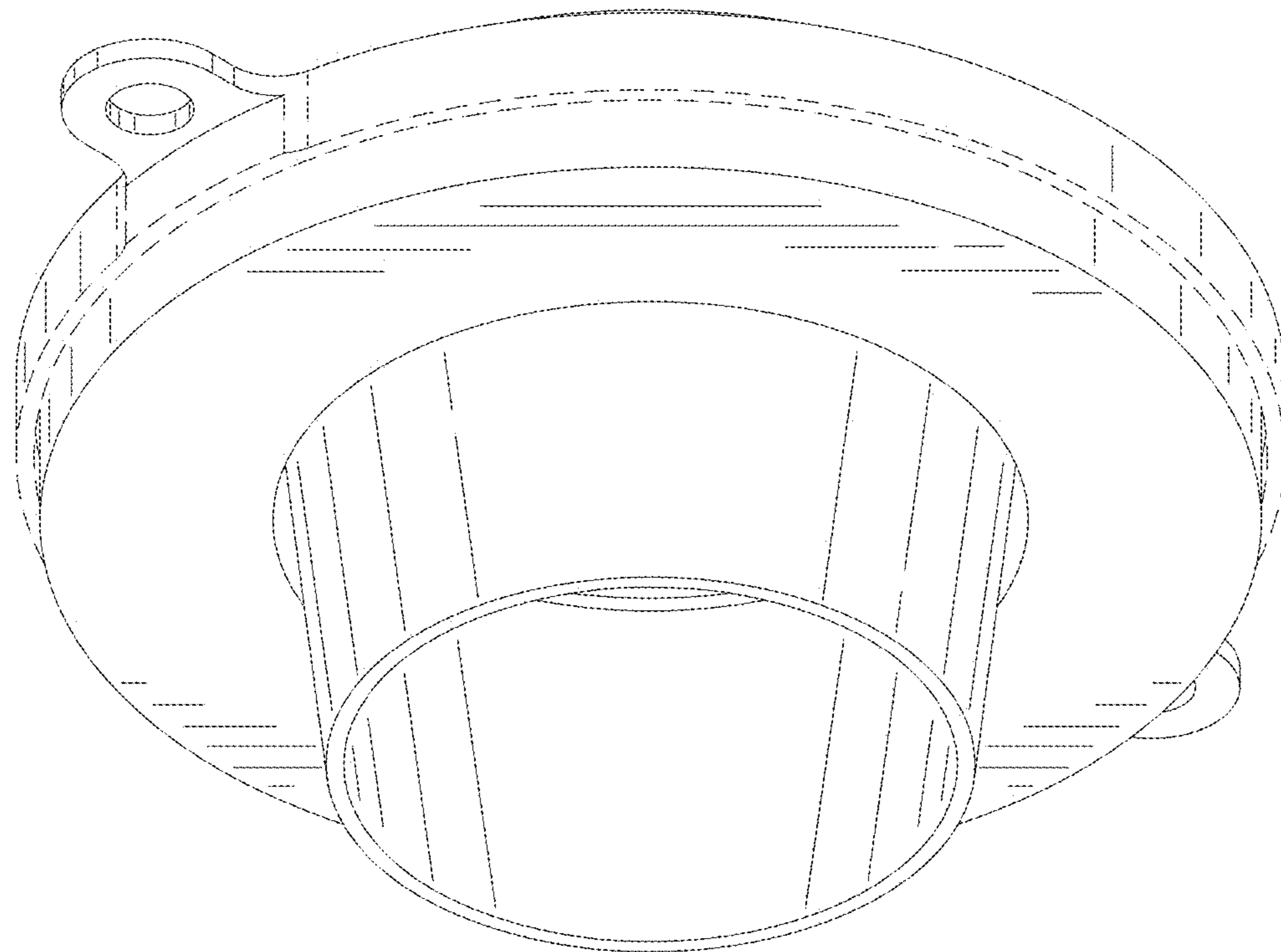


FIG. 2

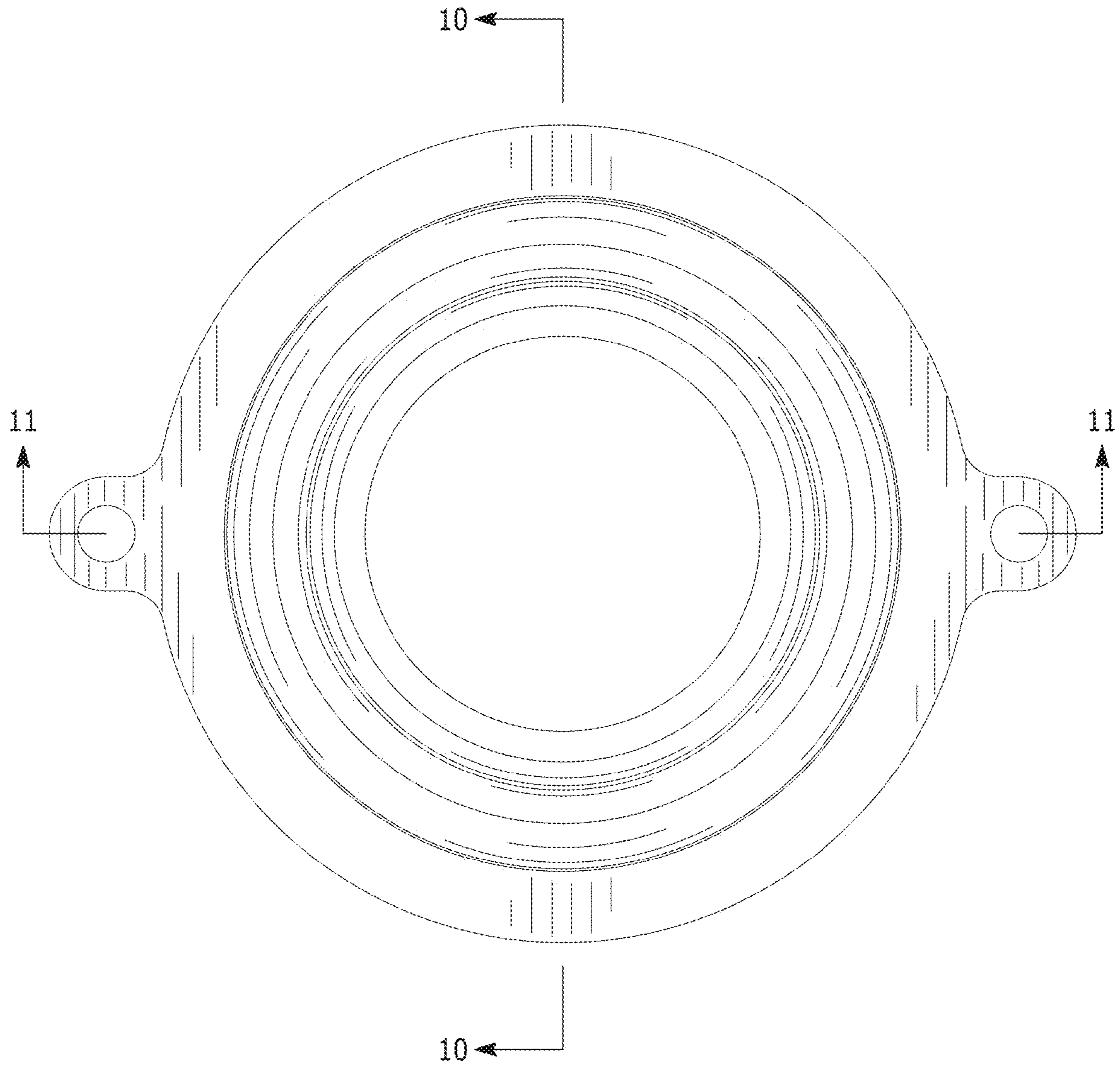


FIG. 3

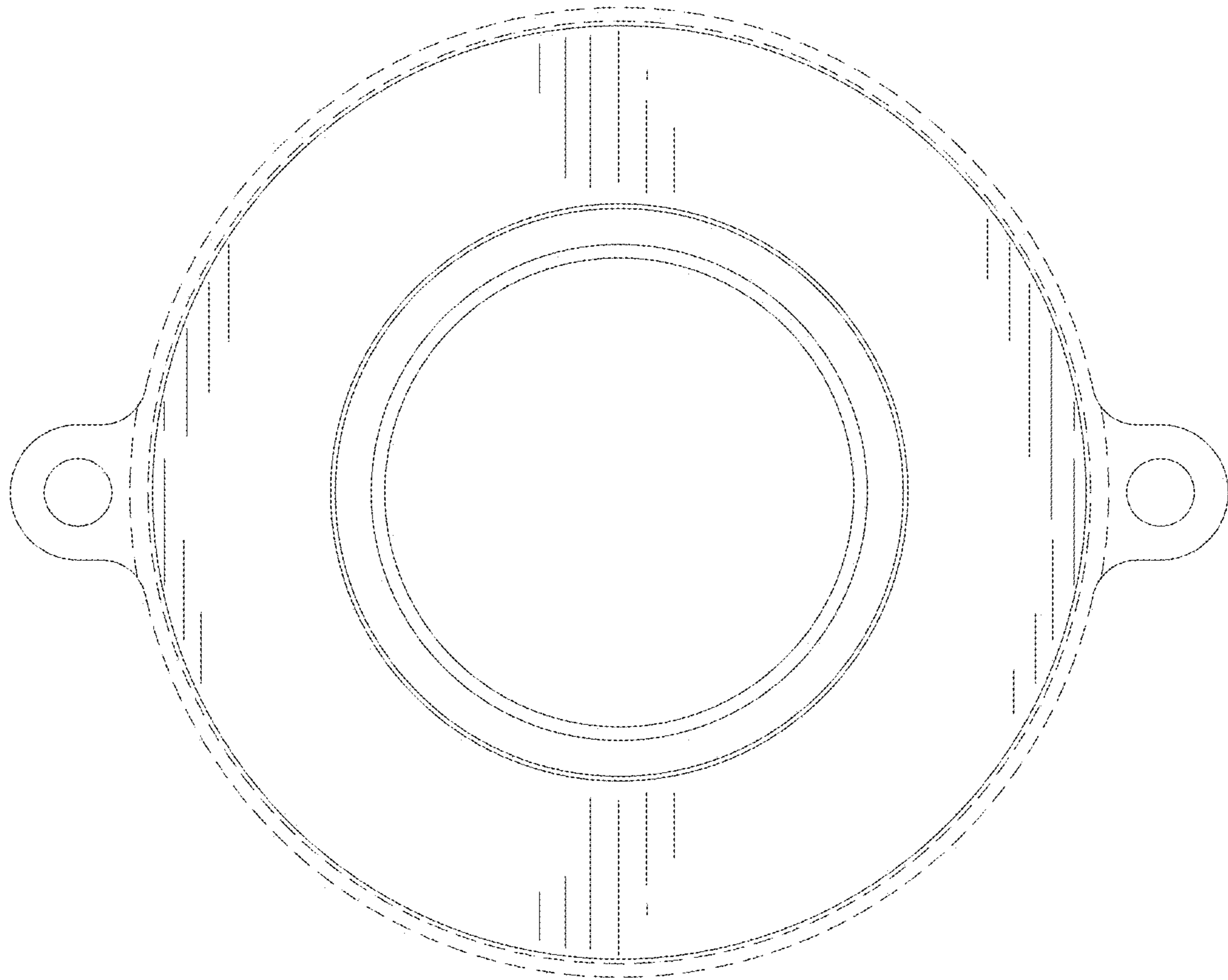


FIG. 4

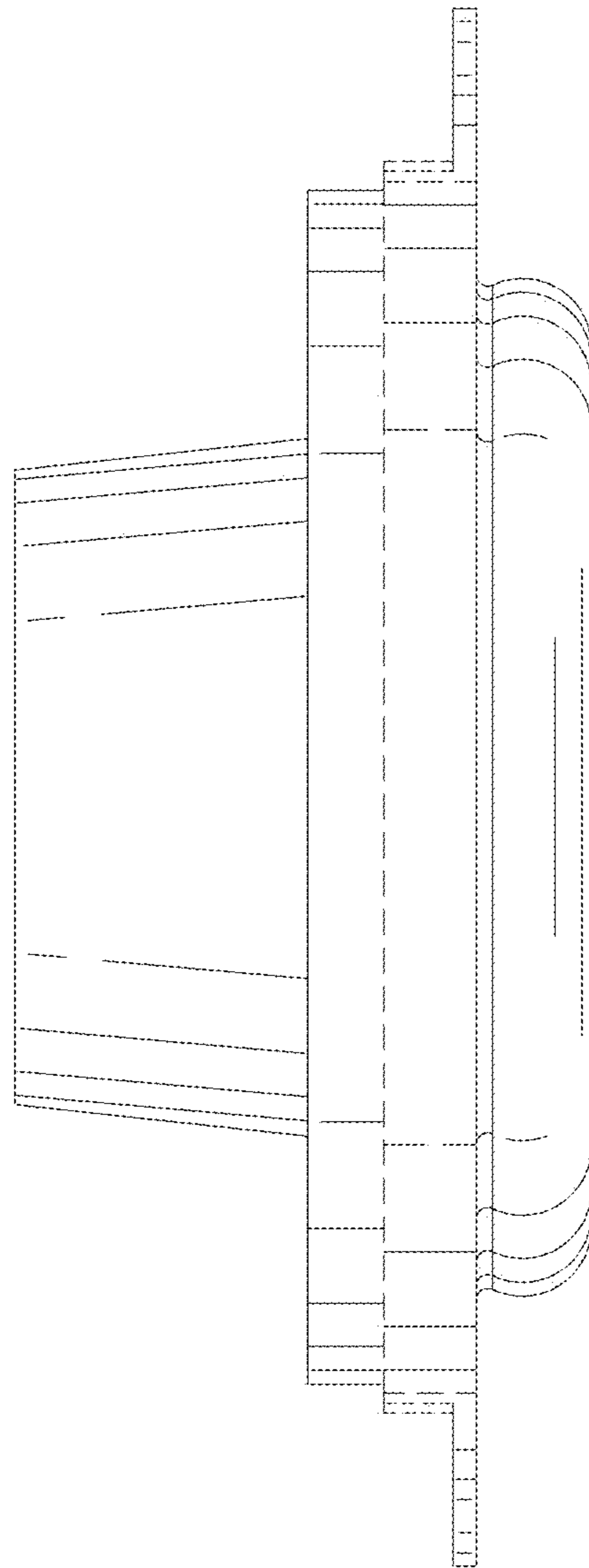


FIG. 5

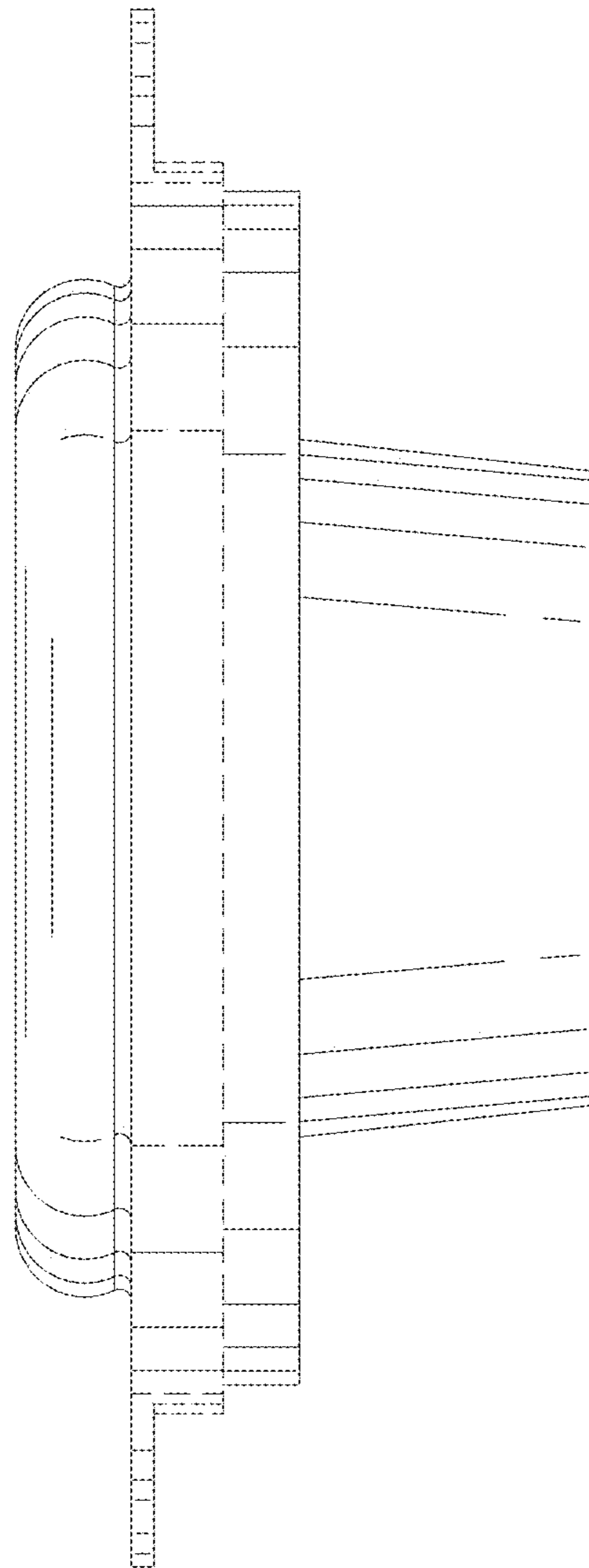


FIG. 6

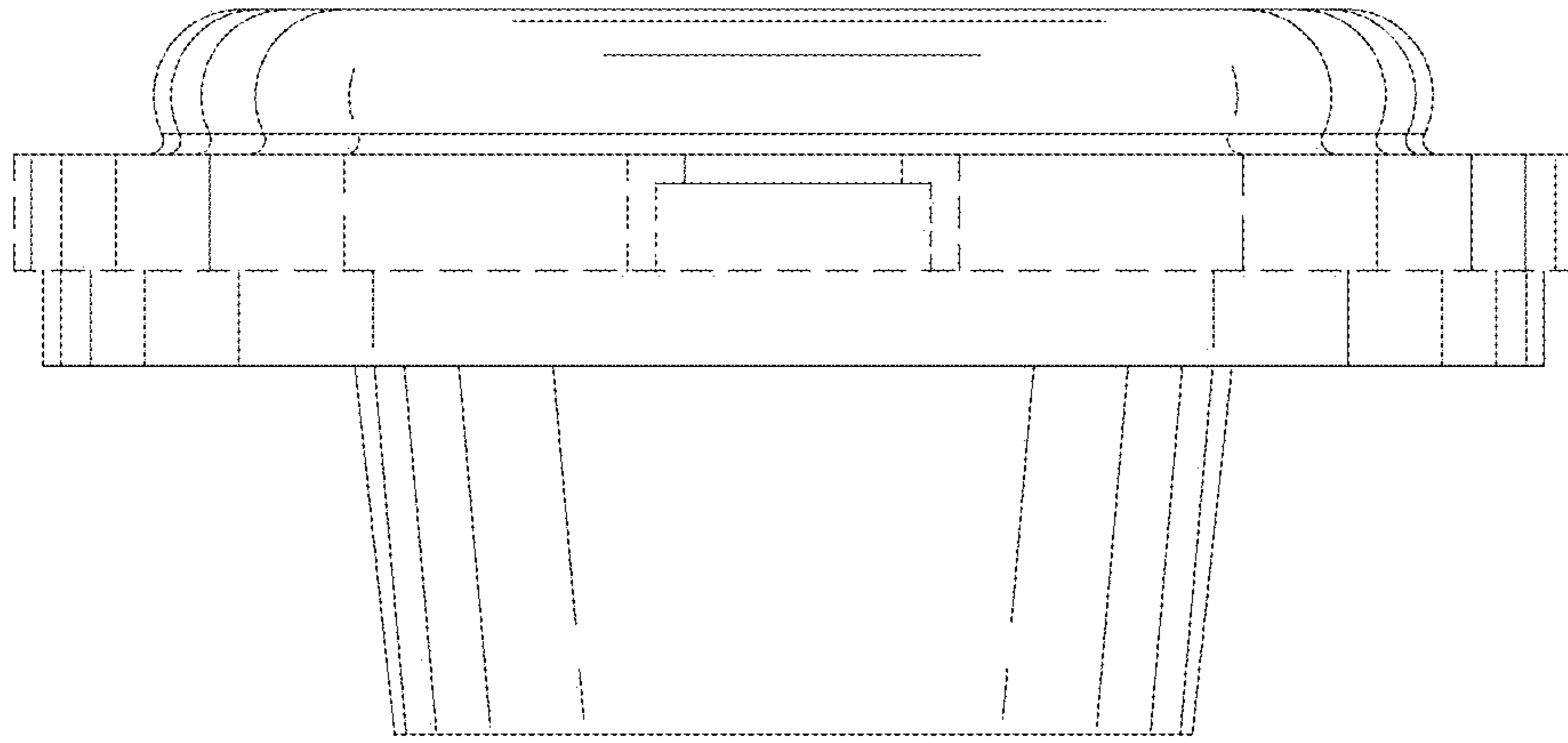


FIG. 7

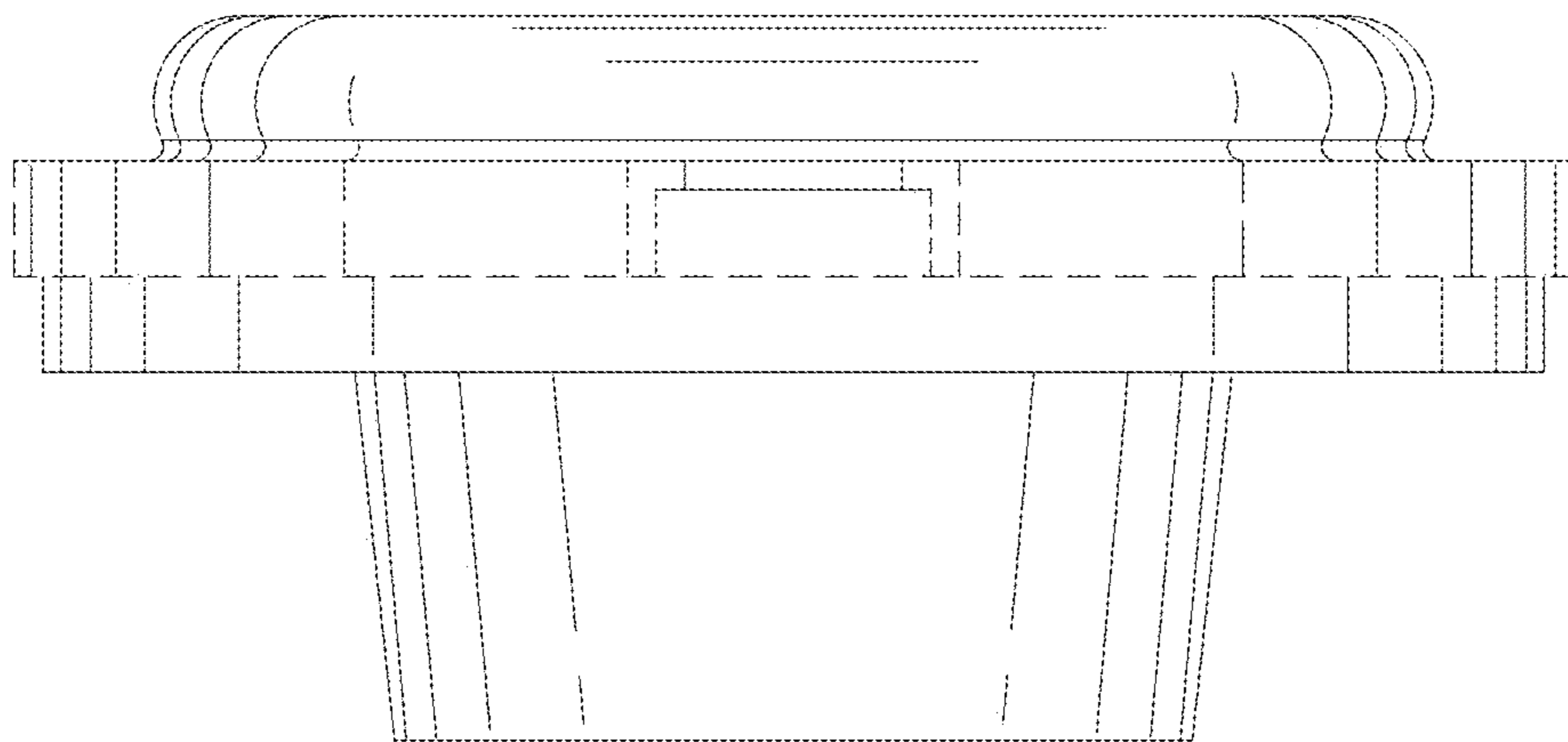


FIG. 8

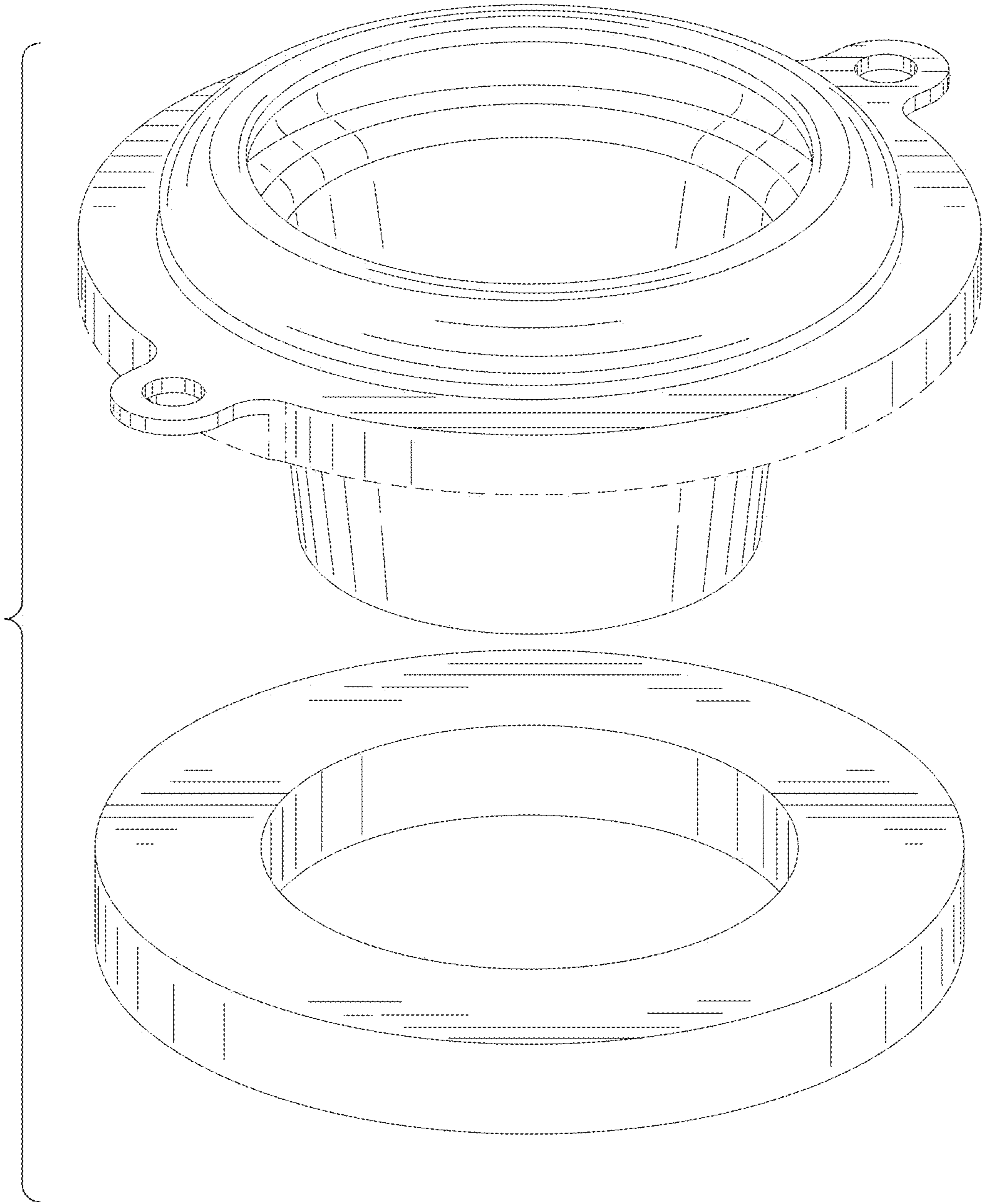


FIG. 9

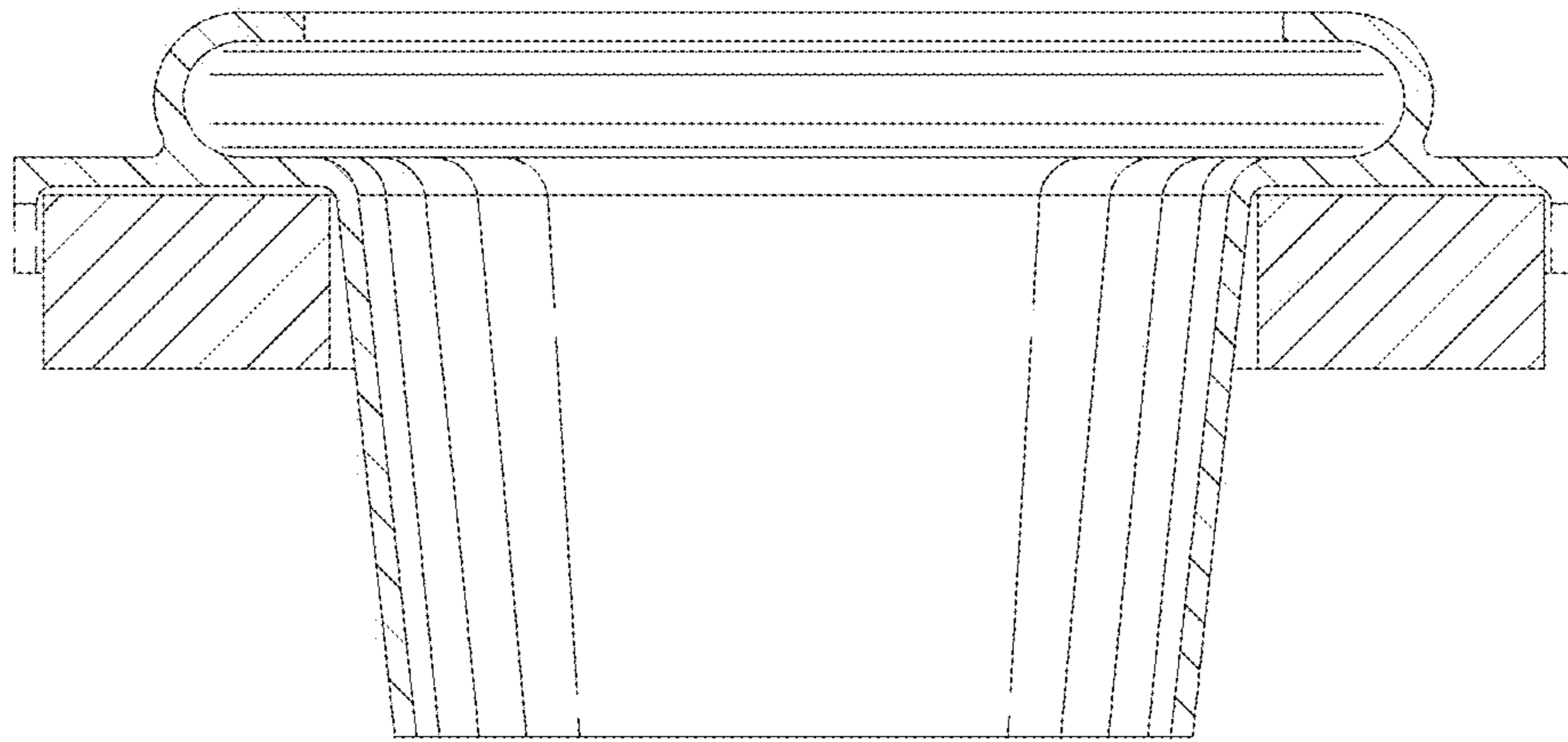


FIG. 10

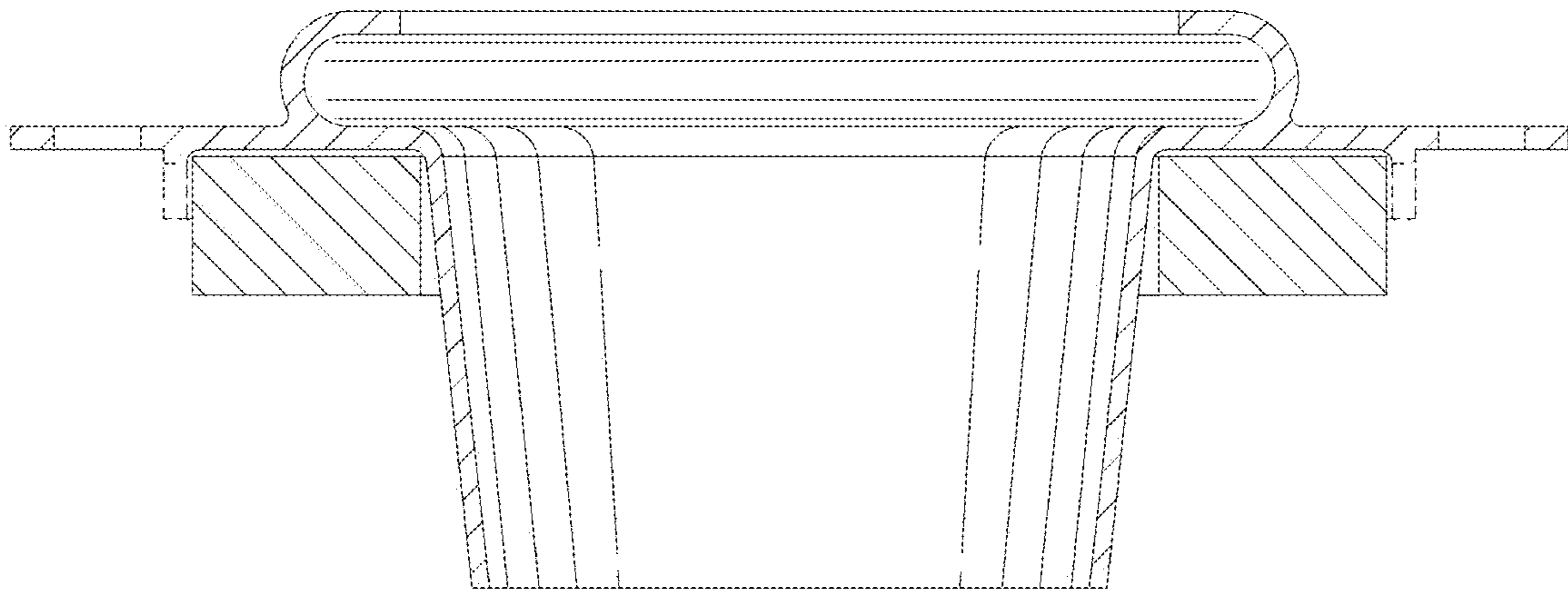


FIG. 11