



US00D873388S

(12) **United States Design Patent**
Ikushima

(10) **Patent No.:** **US D873,388 S**
(45) **Date of Patent:** **** Jan. 21, 2020**

(54) **ADAPTER FOR PRECISION FLUID DISPENSER TUBE**

D335,175 S * 4/1993 Sladek D24/110
D375,786 S * 11/1996 Morris D23/260
5,746,611 A * 5/1998 Brown H01R 13/5213
439/135
D445,478 S * 7/2001 Reeves D23/213
D490,103 S * 5/2004 Rangel D19/10
D502,895 S * 3/2005 Matthies E04C 5/20
D12/114
D585,530 S * 1/2009 Ito D23/259
D625,395 S * 10/2010 Guzzoni D23/262

(71) Applicant: **MUSASHI ENGINEERING, INC.**,
Tokyo (JP)

(72) Inventor: **Kazumasa Ikushima**, Tokyo (JP)

(73) Assignee: **MUSASHI ENGINEERING, INC.**,
Tokyo (JP)

(**) Term: **15 Years**

Primary Examiner — Keli L Hill

(21) Appl. No.: **35/504,684**

(74) *Attorney, Agent, or Firm* — Konomi Takeshita

(22) Filed: **Sep. 27, 2017**

(57) **CLAIM**

(80) **Hague Agreement Data**

Int. Filing Date: **Sep. 27, 2017**
Int. Reg. No.: **DM/100242**
Int. Reg. Date: **Sep. 27, 2017**
Int. Reg. Pub. Date: **Mar. 30, 2018**

The ornamental design for an adapter for precision fluid dispenser tube, as shown and described.

(30) **Foreign Application Priority Data**

Mar. 28, 2017 (JP) 2017-6363
Mar. 28, 2017 (JP) 2017-6364
Mar. 28, 2017 (JP) 2017-6365

DESCRIPTION

(51) **LOC (12) Cl.** **23-01**

(52) **U.S. Cl.**
USPC **D23/262; D23/259**

(58) **Field of Classification Search**
USPC D23/207, 208, 213, 233, 249, 258-260,
D23/262, 265; D24/127, 129, 130, 232
CPC B60J 10/00; E01C 11/02; E01C 11/10; E01C
11/106; E01C 23/00; E01C 23/02
See application file for complete search history.

3. Adapter for precision fluid dispenser tube
3.1 is a front elevation view, the rear elevation view being a mirror image.
3.2 is a right side elevation view, the left side elevation view being a mirror image.
3.3 is a top plan view.
3.4 is a bottom plan view.
3.5 is a cross-sectional view, taken along line A-A as seen in 3.2.
3.6 is a perspective view.
3.7 is a reference view.

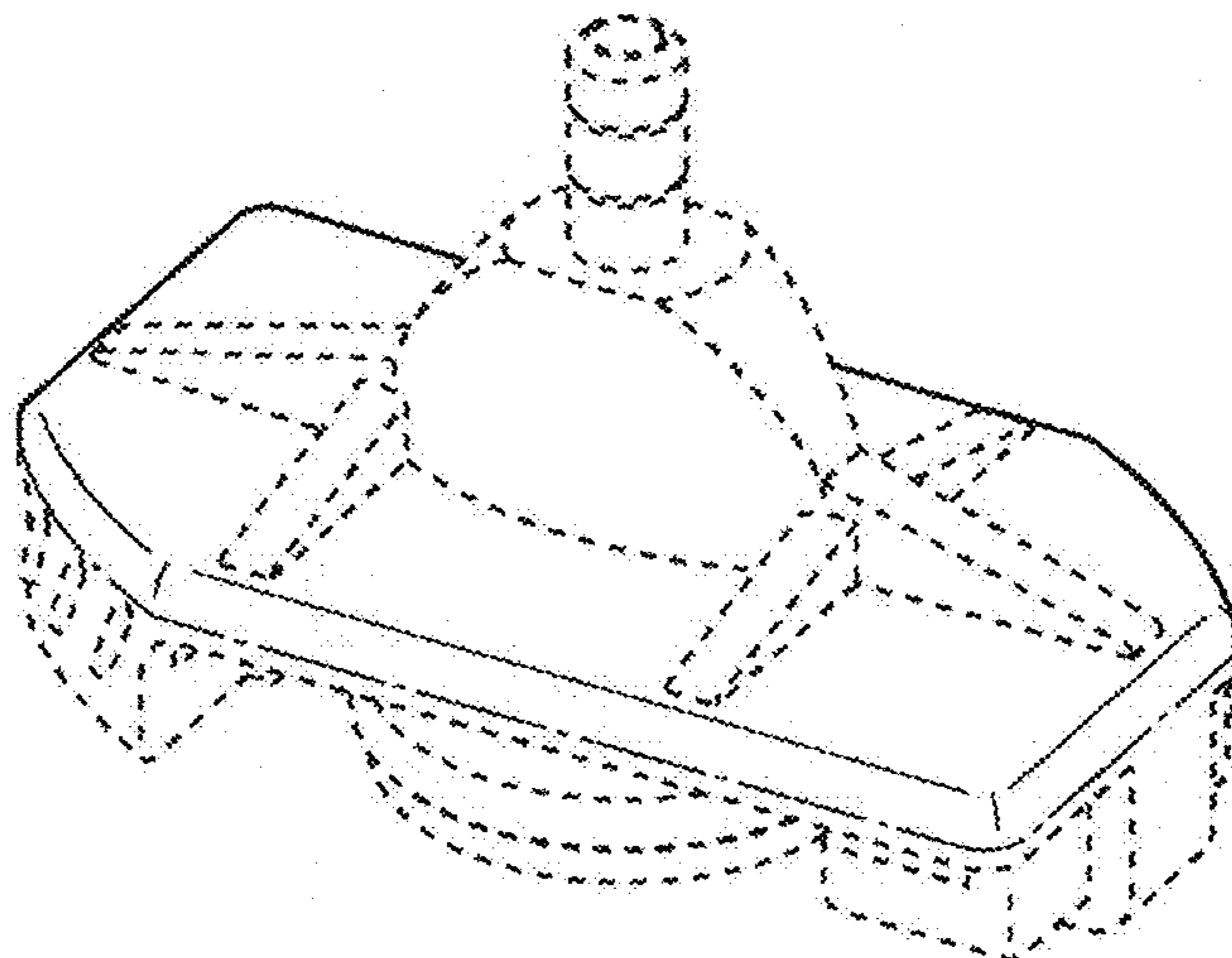
The dot-dash broken lines seen in reproductions 3.1-3.3, 3.6 and 3.7 represent the bounds of the claimed design. The dot-dash broken lines seen in the reproduction 3.5 cross-section view denote the boundary between the claimed and unclaimed portion. The broken line showing of a dispensing tube in reproduction 3.7 is for the purpose of illustrating environment structure. All other broken lines are included for the purpose of illustrating portions of the adapter for precision fluid dispenser tube; the broken lines from no part of the claimed design.

(56) **References Cited**

U.S. PATENT DOCUMENTS

D243,655 S * 3/1977 Matousek D8/354
4,655,023 A * 4/1987 Yung E04C 5/20
248/74.4

1 Claim, 7 Drawing Sheets



(56)

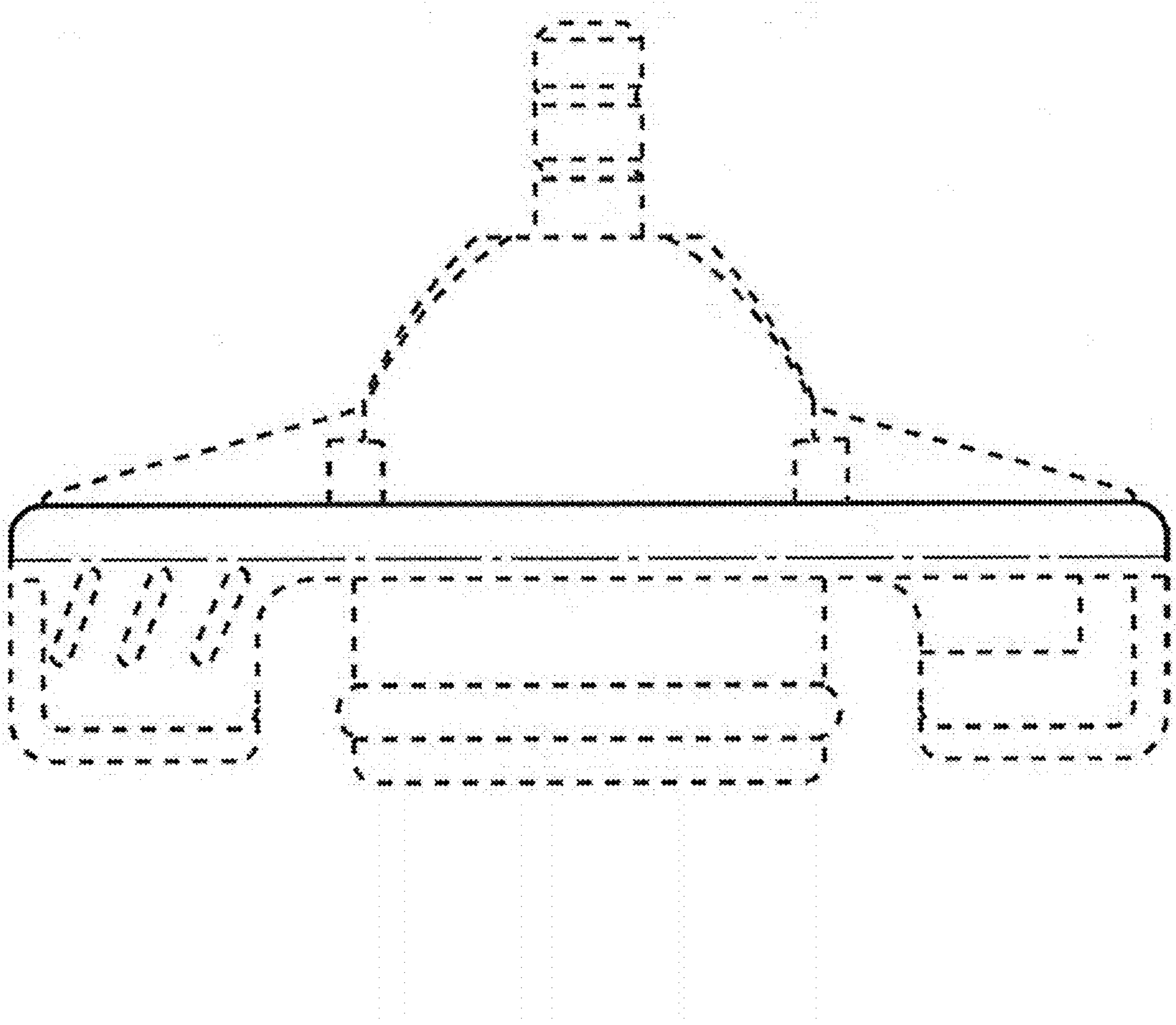
References Cited

U.S. PATENT DOCUMENTS

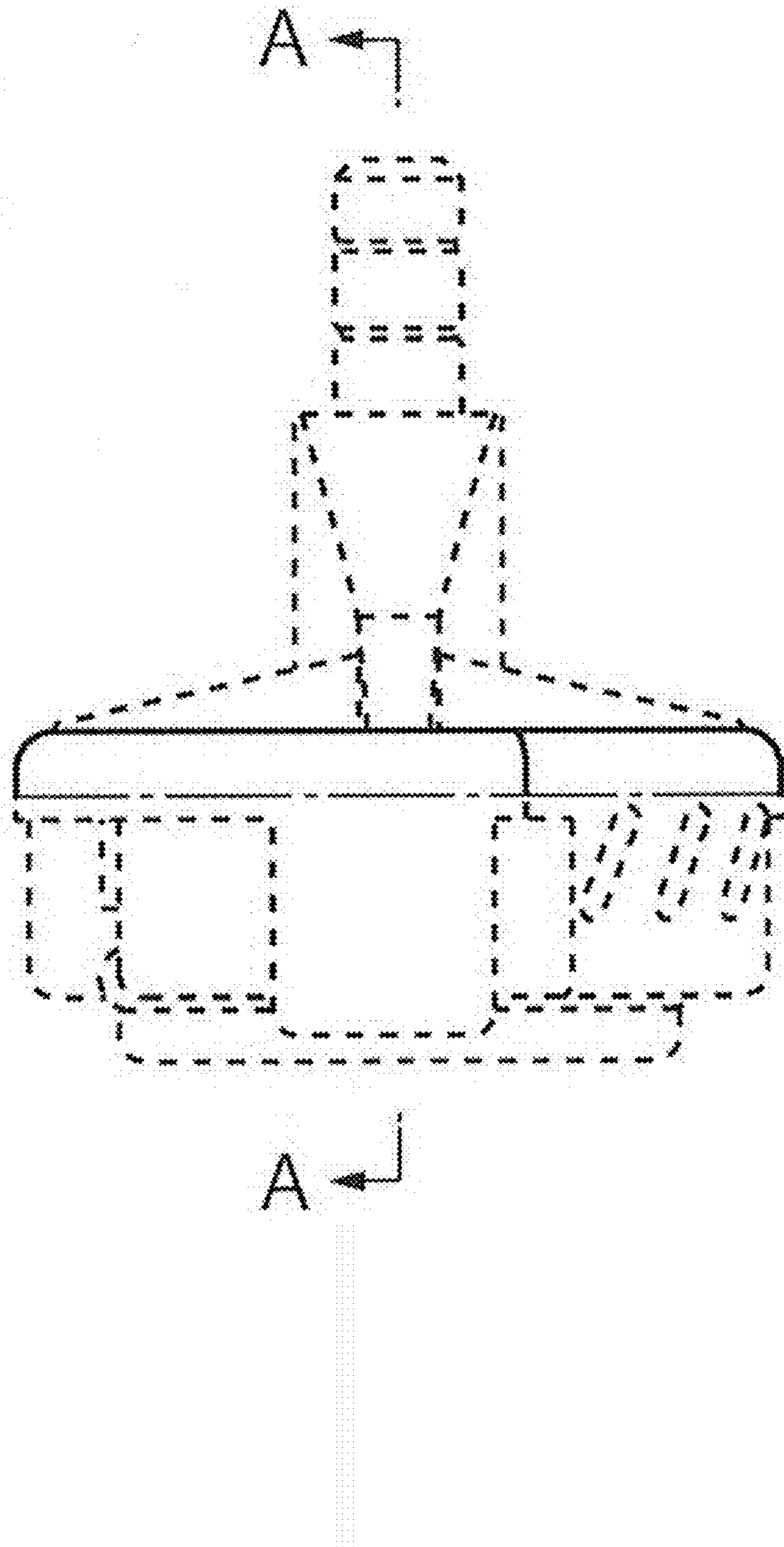
D662,572 S * 6/2012 Marquis-Martin D23/259
D762,826 S * 8/2016 Plackner H01R 13/5213
D23/262
D798,639 S * 10/2017 Halvorson, Jr. D6/705.1
D831,237 S * 10/2018 Johnson D26/1
D845,387 S * 4/2019 Mills D19/9

* cited by examiner

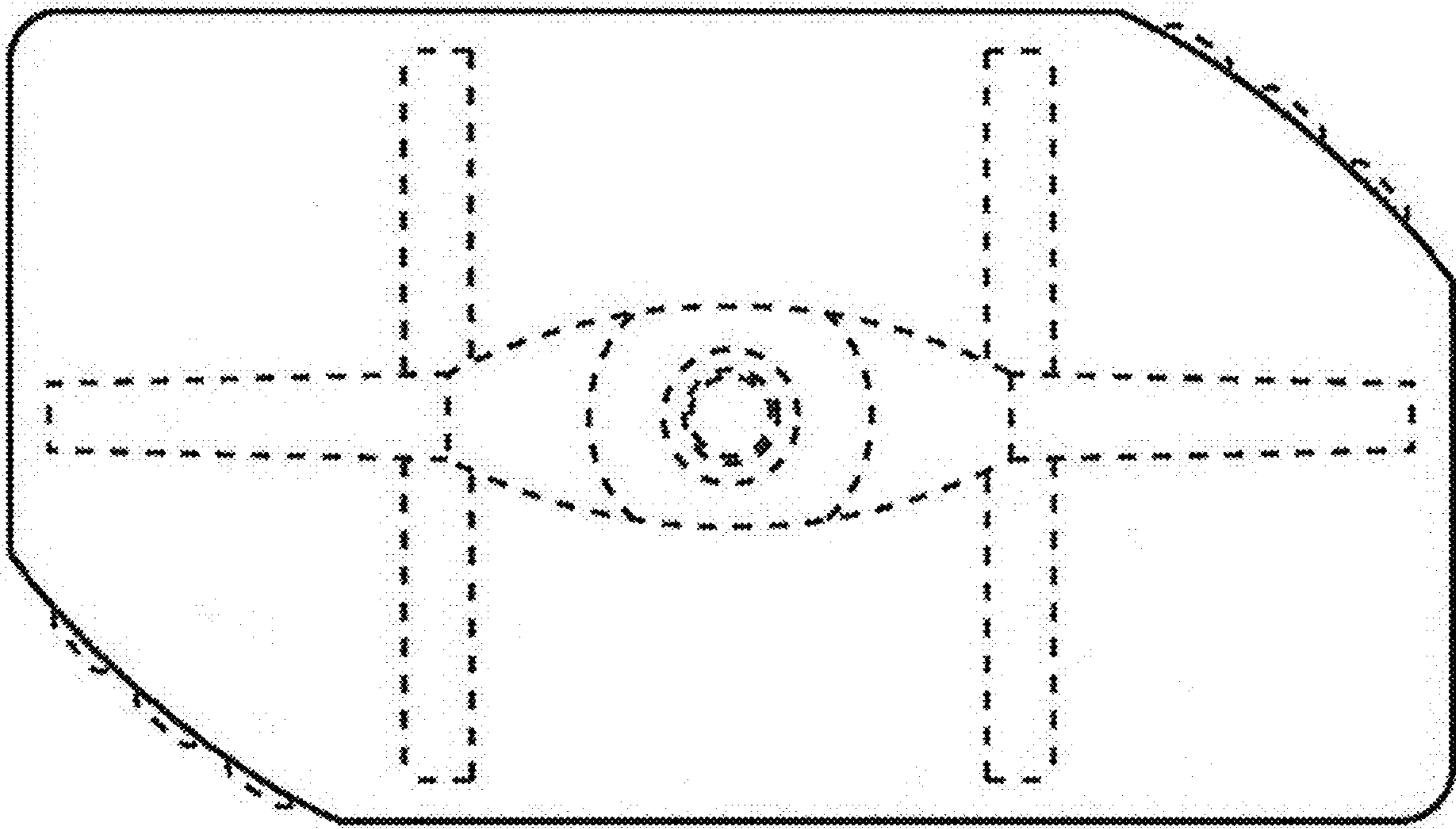
3.1



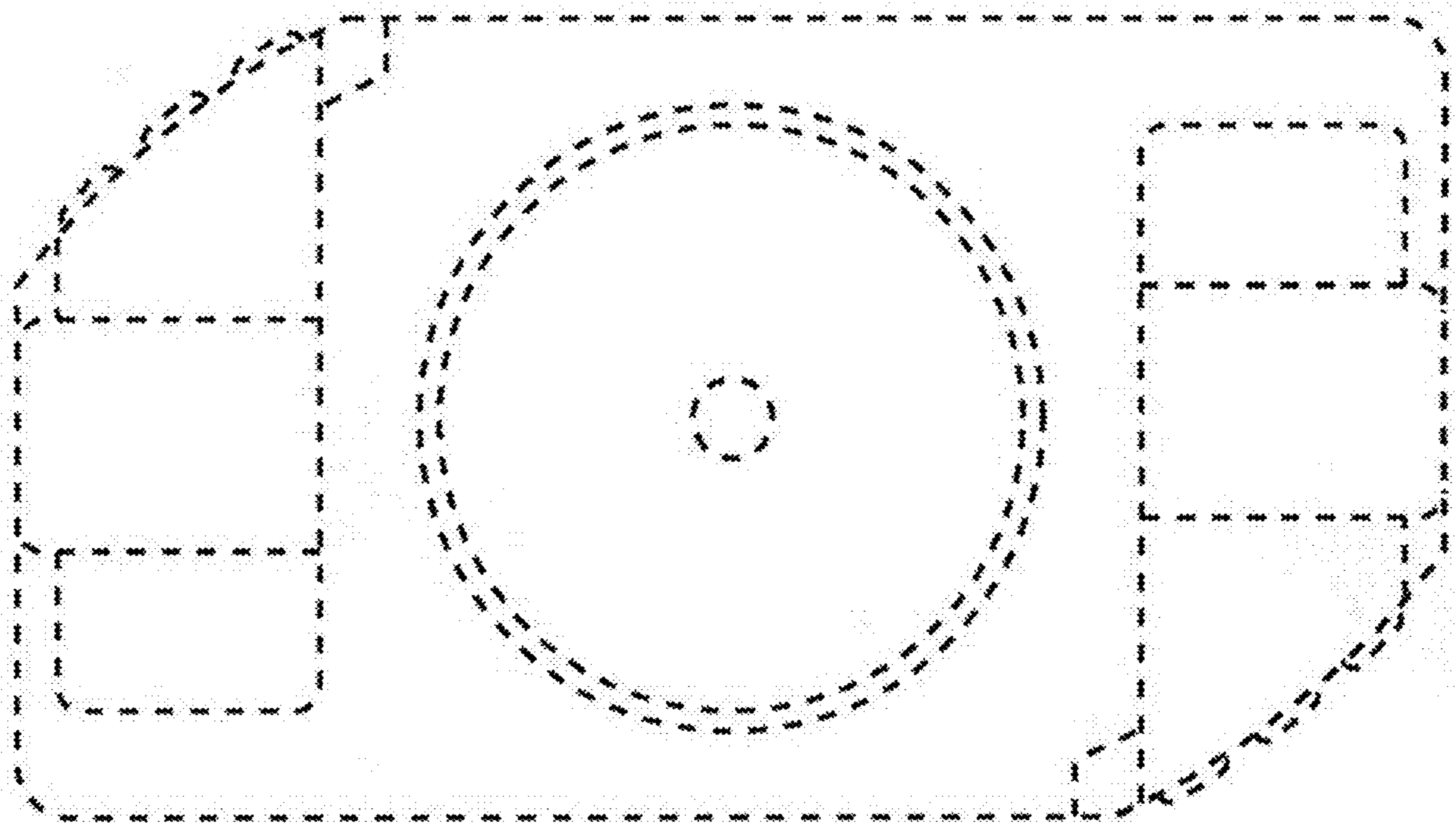
3.2



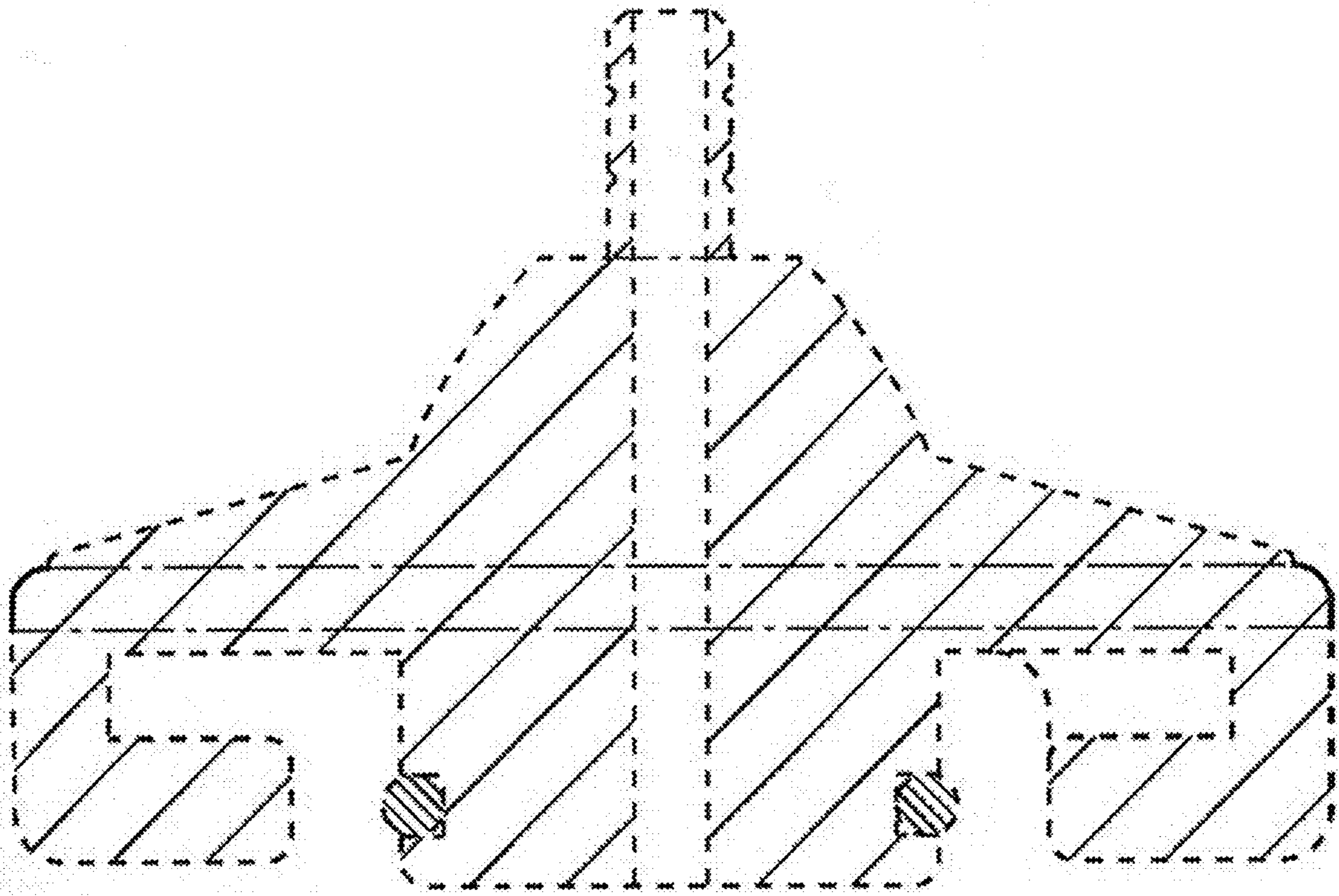
3.3



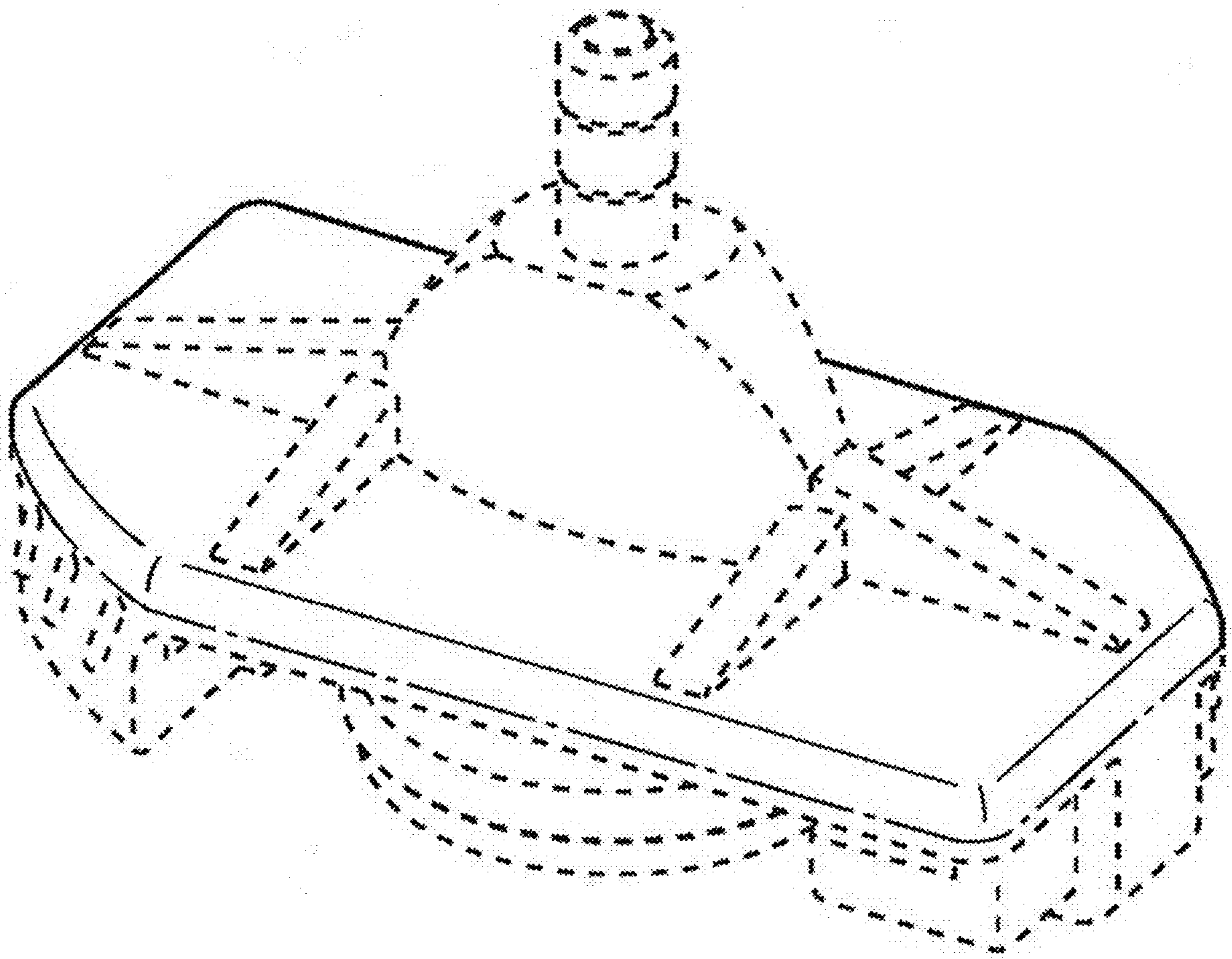
3.4



3.5



3.6



3.7

