



US00D873385S

(12) **United States Design Patent** (10) **Patent No.:** **US D873,385 S**  
**Tentler** (45) **Date of Patent:** **\*\* Jan. 21, 2020**

(54) **FAUCET BODY** D511,560 S \* 11/2005 Kulig ..... D23/238  
D583,443 S \* 12/2008 Hanna ..... D23/255

(71) Applicant: **DELTA FAUCET COMPANY,** \* cited by examiner  
Indianapolis, IN (US)

(72) Inventor: **Anthony Joseph Tentler,** Windfall, IN *Primary Examiner* — Robert A Delehanty  
(US) (74) *Attorney, Agent, or Firm* — Edgar A. Zarins; Nirav  
D. Parikh

(73) Assignee: **DELTA FAUCET COMPANY,**  
Indianapolis, IN (US)

(\*\*) Term: **15 Years**

(57) **CLAIM**

(21) Appl. No.: **29/638,173**

The ornamental design for a faucet body, as shown and described.

(22) Filed: **Feb. 25, 2018**

(51) **LOC (12) Cl.** ..... **23-01**

**DESCRIPTION**

(52) **U.S. Cl.**  
USPC ..... **D23/257**

(58) **Field of Classification Search**  
USPC ..... D23/238, 241–243, 255, 257  
See application file for complete search history.

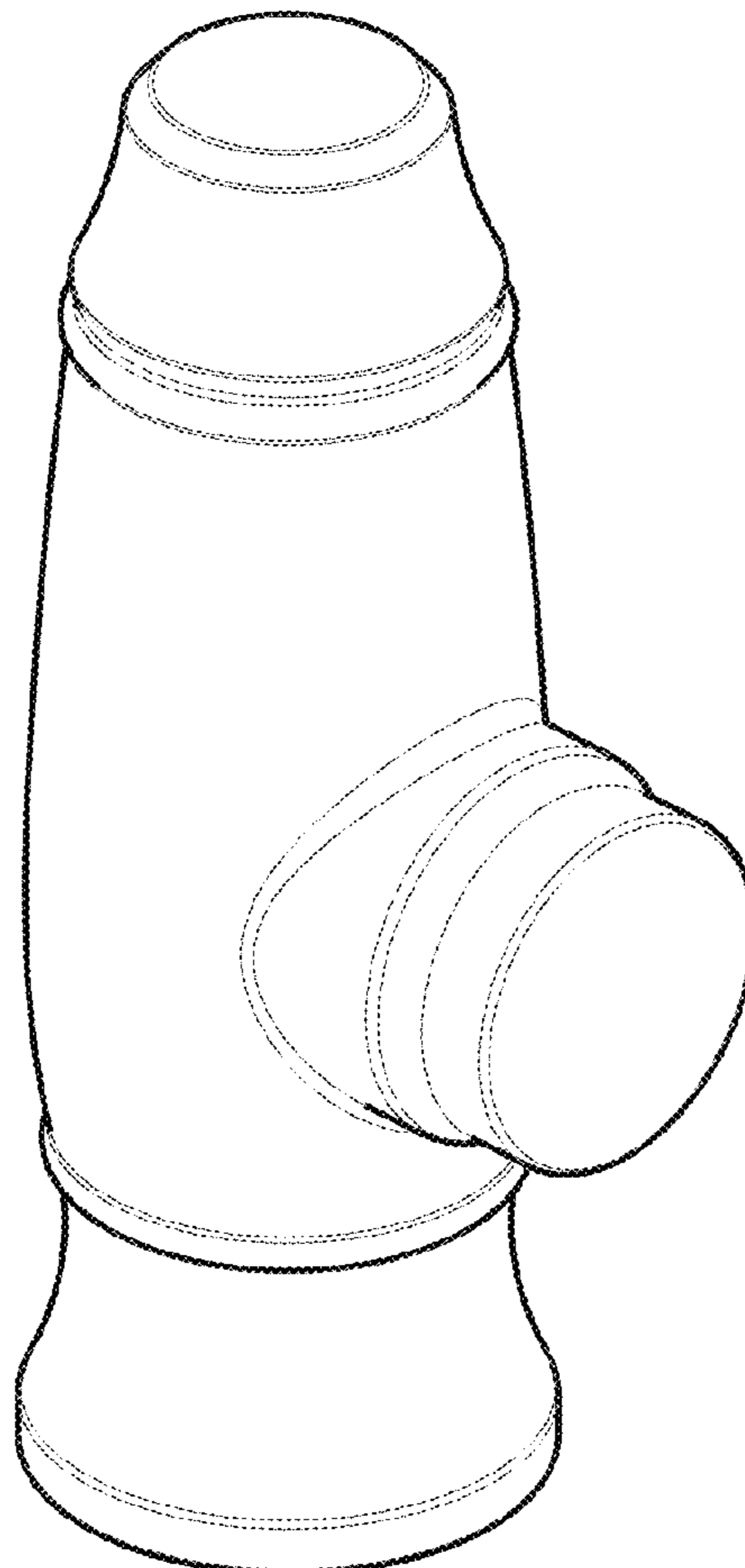
FIG. 1 is a front perspective view of a faucet body showing my new design;  
FIG. 2 is a rear perspective view thereof;  
FIG. 3 is a front elevational view thereof;  
FIG. 4 is a left side view thereof;  
FIG. 5 is a rear view thereof;  
FIG. 6 is a right side view thereof; and,  
FIG. 7 is a top plan view thereof.

(56) **References Cited**

**U.S. PATENT DOCUMENTS**

D460,150 S \* 7/2002 Rexach ..... D23/238  
D487,922 S \* 3/2004 Lord ..... D23/249

**1 Claim, 4 Drawing Sheets**



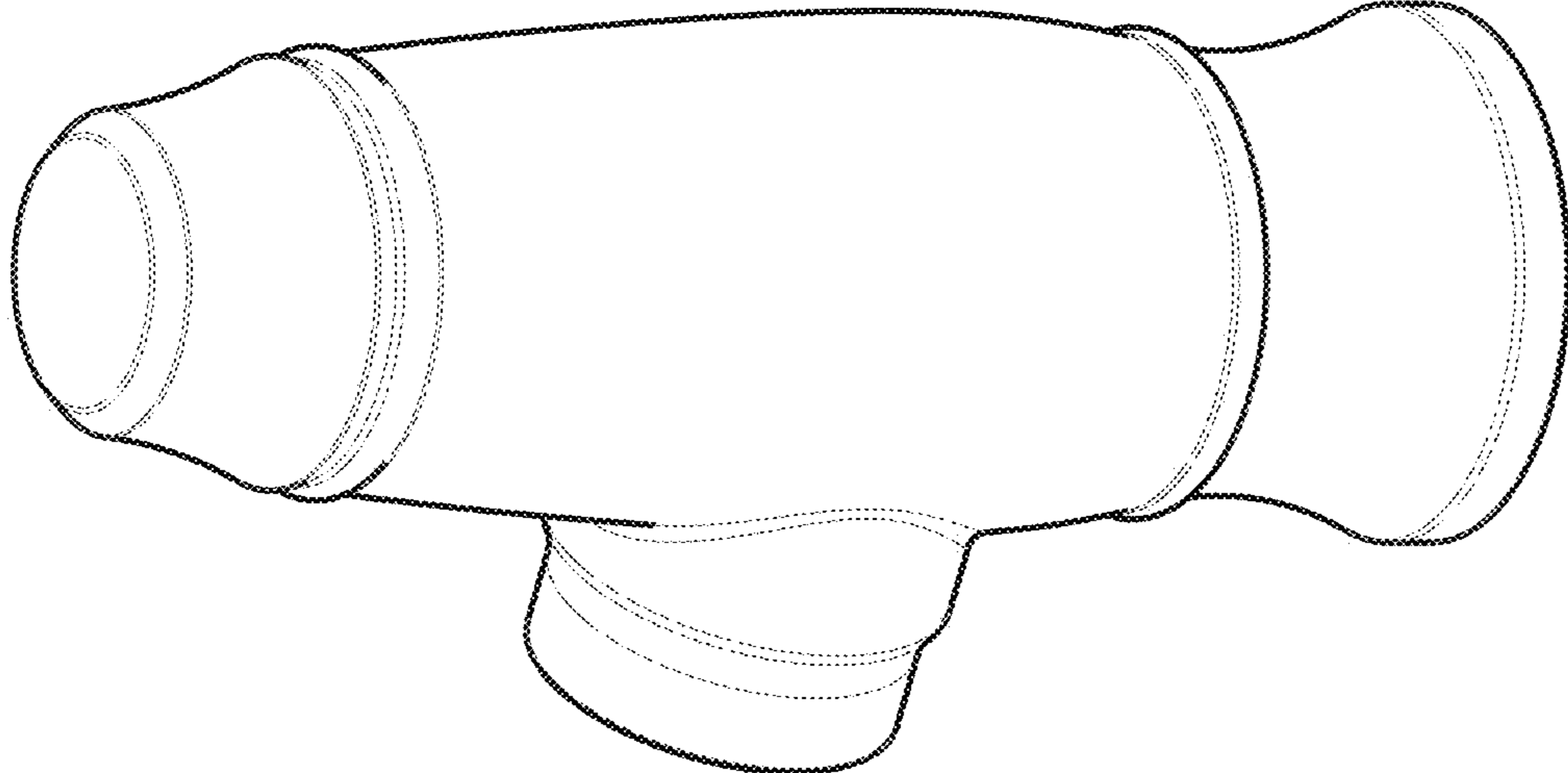


Fig. 1

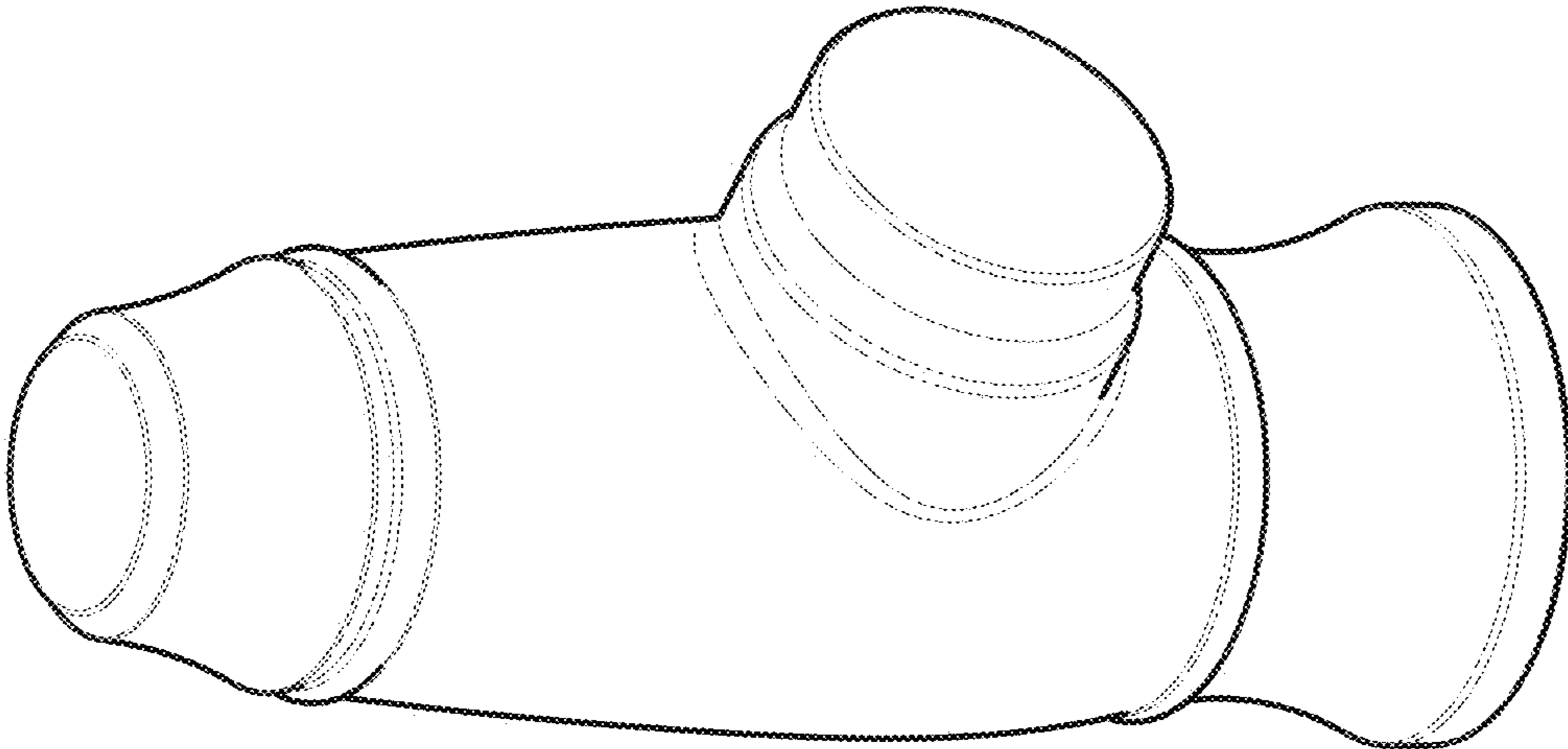


Fig. 2

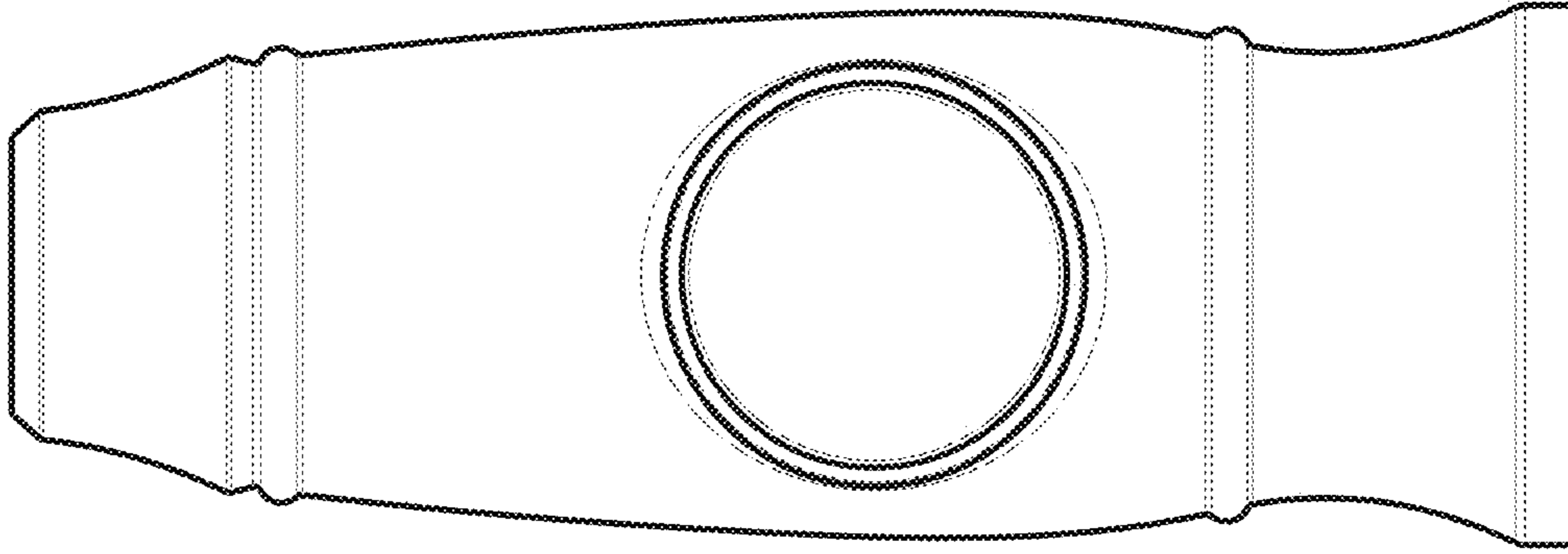


Fig. 4

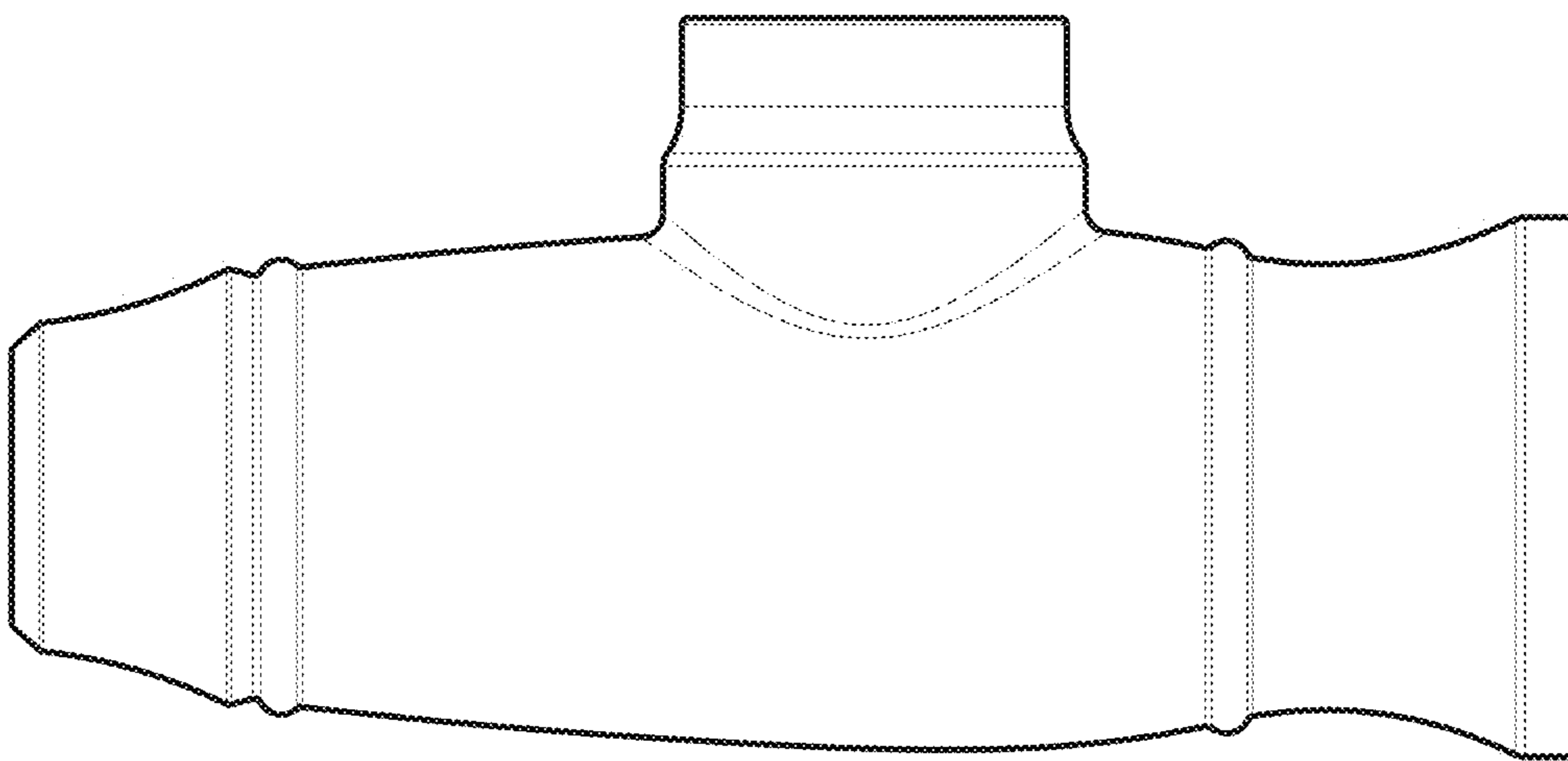


Fig. 3

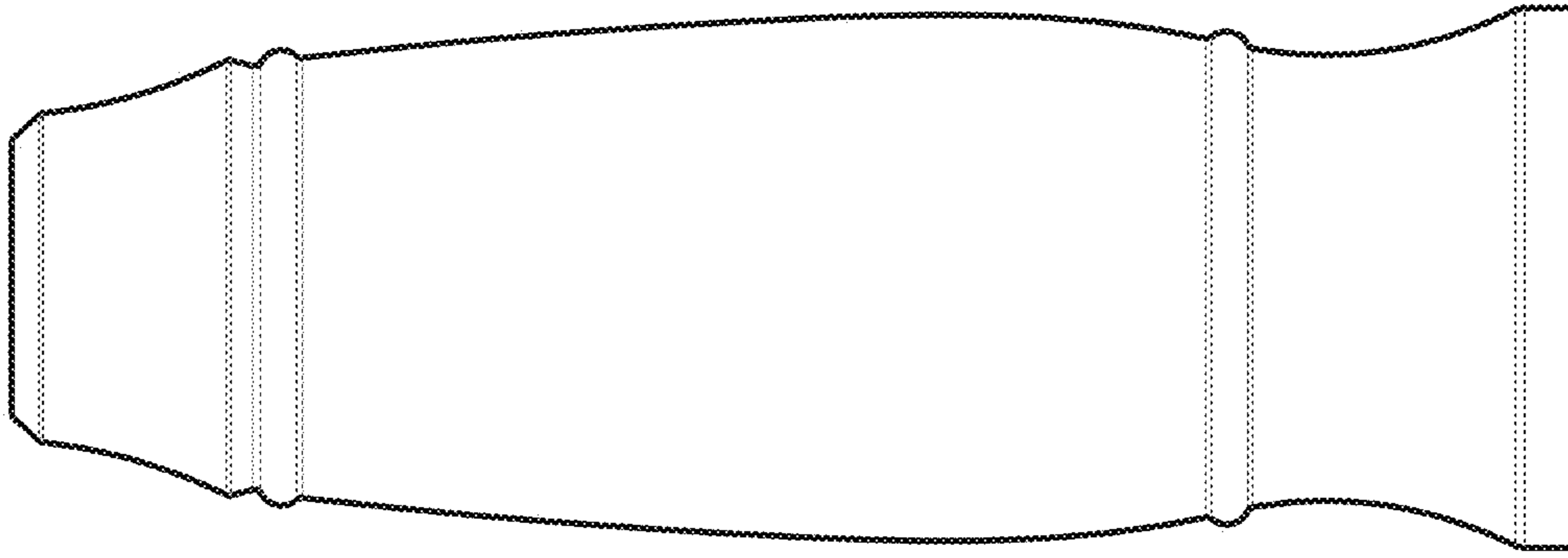


Fig. 6

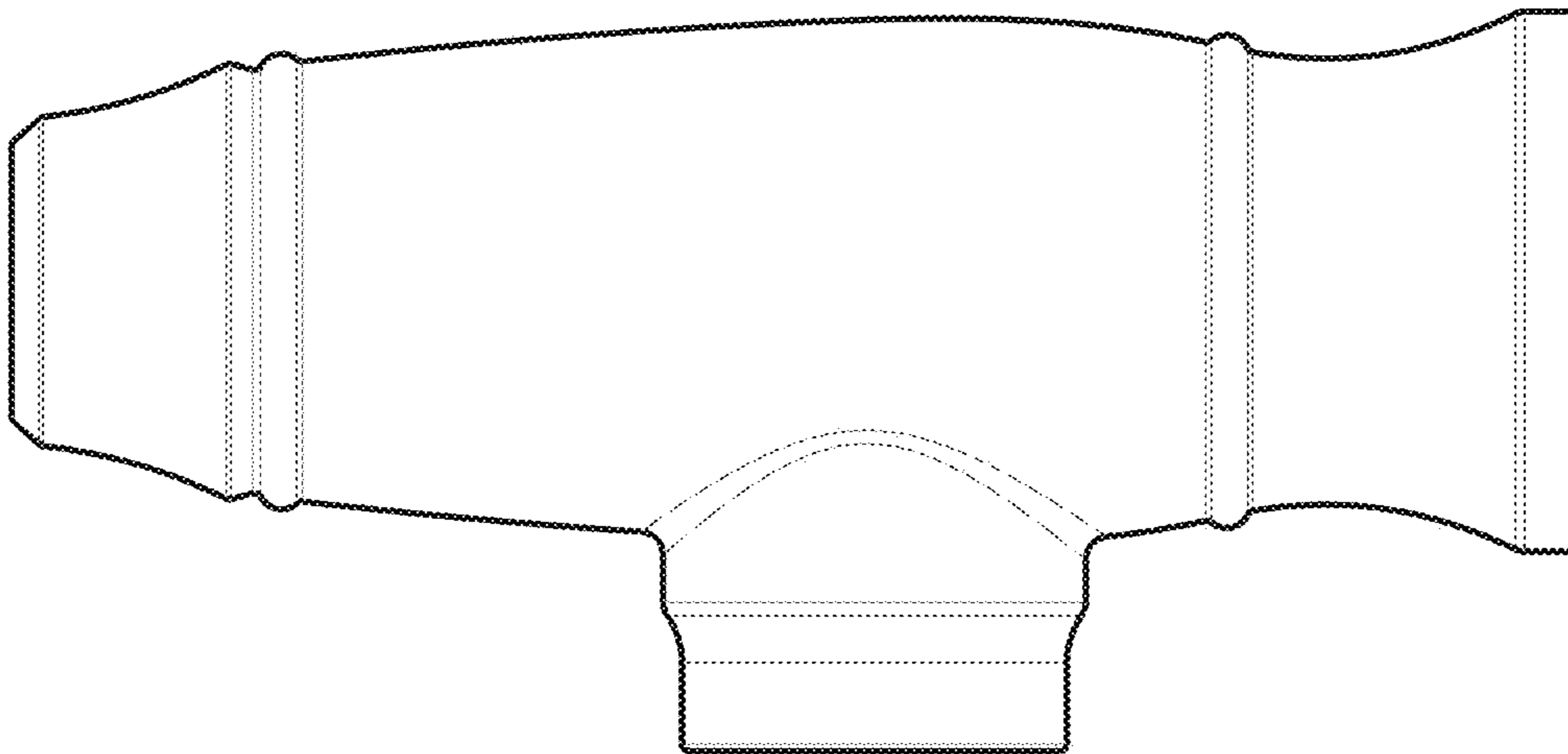


Fig. 5

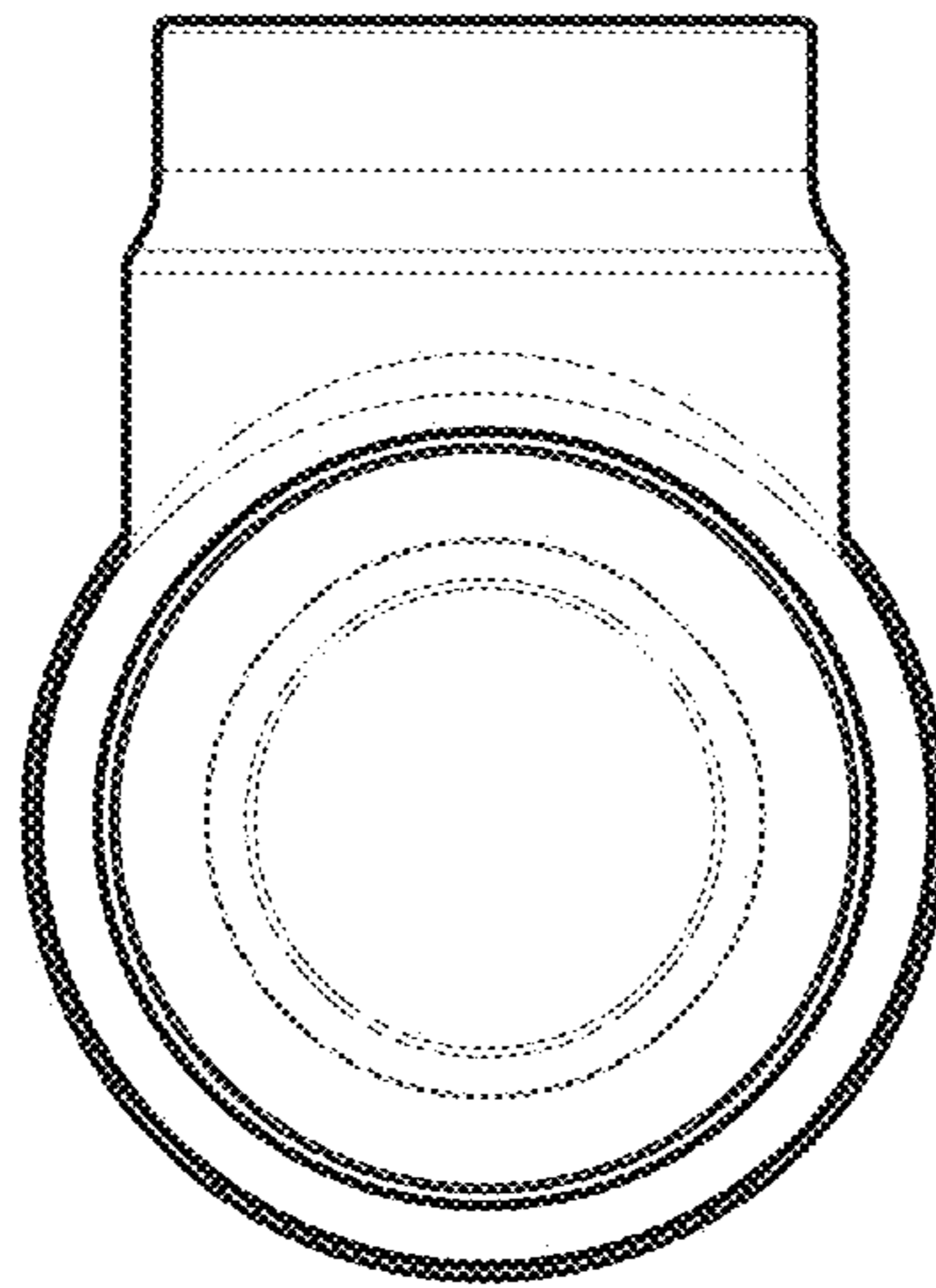


Fig. 7