



US00D873384S

(12) **United States Design Patent**  
**Guo**

(10) **Patent No.:** **US D873,384 S**

(45) **Date of Patent:** **\*\* Jan. 21, 2020**

(54) **FAUCET SPOUT**

D840,513 S \* 2/2019 Chen ..... D23/255  
D857,174 S \* 8/2019 Chen ..... D23/255  
D858,717 S \* 9/2019 Chen ..... D23/255

(71) Applicant: **Wenhua Guo**, Shanxi (CN)

(72) Inventor: **Wenhua Guo**, Shanxi (CN)

(\*\*) Term: **15 Years**

(21) Appl. No.: **29/698,877**

(22) Filed: **Jul. 21, 2019**

(51) **LOC (12) Cl.** ..... **23-01**

(52) **U.S. Cl.**  
USPC ..... **D23/255**

(58) **Field of Classification Search**  
USPC ..... D23/252–254, 238, 241–243, 255, 257,  
D23/249  
CPC ..... Y10T 137/9464; Y10T 137/6014; Y10T  
137/6017

See application file for complete search history.

(56) **References Cited**

**U.S. PATENT DOCUMENTS**

D253,607 S	12/1979	Haug	
D295,065 S *	4/1988	Fabian	..... D23/255
D410,067 S	5/1999	Gottwald	
D432,635 S	10/2000	Spangler	
D461,874 S	8/2002	Gottwald	
D461,875 S	8/2002	Gottwald	
D462,419 S	9/2002	Gottwald	
D528,633 S	9/2006	Bayer	
D602,121 S	10/2009	Yabe et al.	
D605,256 S	12/2009	Flowers et al.	
D618,310 S	6/2010	Wang et al.	
D797,901 S	9/2017	Ogata et al.	

**OTHER PUBLICATIONS**

Market Single-Handle Pull-Out Sprayer Kitchen Faucet in Stainless Steel, <https://www.homedepot.com/p/Glacier-Bay-Market-Single-Handle-Pull-Out-Sprayer-Kitchen-Faucet-in-Stainless-Steel-HD67737-1208D2/309336964>.

Aquafaucet Waterfall Spout Single Handle Lever Hole Commercial Bathroom Sink Vessel Faucet Oil Rubbed Bronze, [https://www.amazon.com/Aquafaucet-Waterfall-Single-Commercial-Bathroom/dp/B076Q2DCLN/ref=sr\\_1\\_13?keywords=faucet+spout&qid=1563524446&s=gateway&sr=8-13](https://www.amazon.com/Aquafaucet-Waterfall-Single-Commercial-Bathroom/dp/B076Q2DCLN/ref=sr_1_13?keywords=faucet+spout&qid=1563524446&s=gateway&sr=8-13).

\* cited by examiner

*Primary Examiner* — Robert A Delehanty

(74) *Attorney, Agent, or Firm* — Wayne V. Harper

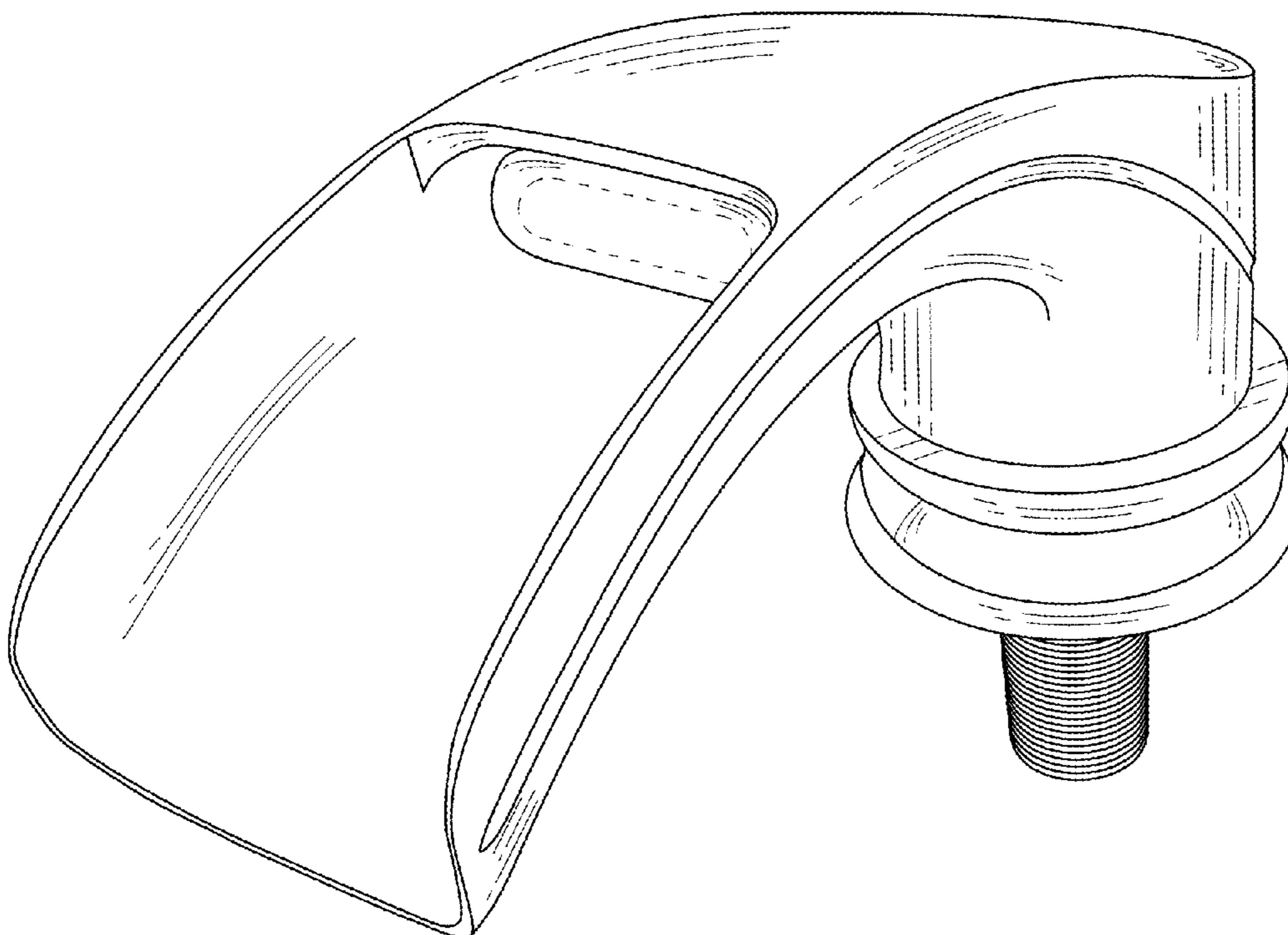
(57) **CLAIM**

The ornamental design for a faucet spout, as shown and described.

**DESCRIPTION**

FIG. 1 is a perspective view of a faucet spout showing my new design;  
FIG. 2 is a front elevational view thereof;  
FIG. 3 is a rear elevational view thereof;  
FIG. 4 is a left side elevational view thereof;  
FIG. 5 is a right side elevational view thereof;  
FIG. 6 is a top plan view thereof; and,  
FIG. 7 is a bottom plan view thereof.

**1 Claim, 7 Drawing Sheets**



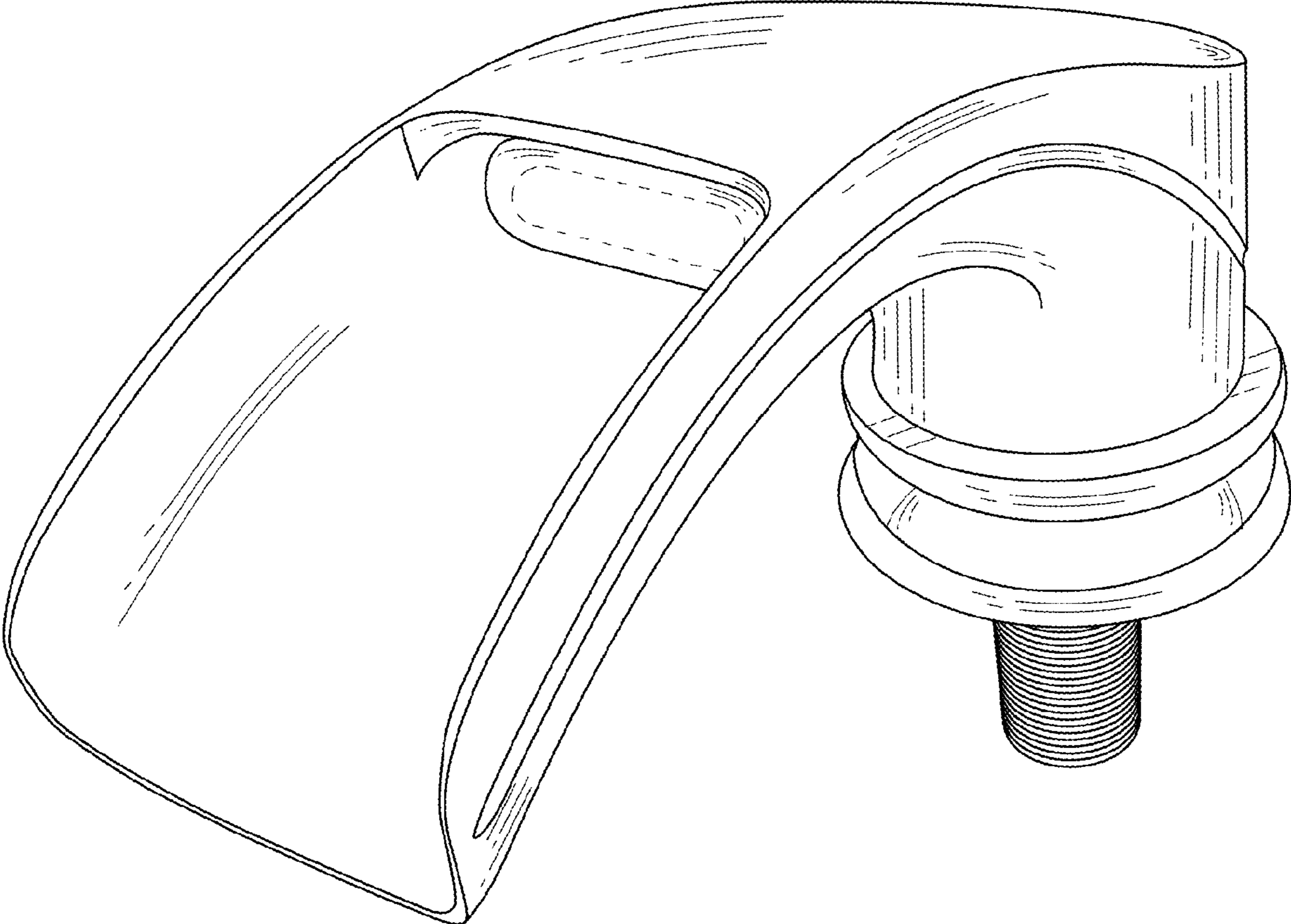


FIG. 1

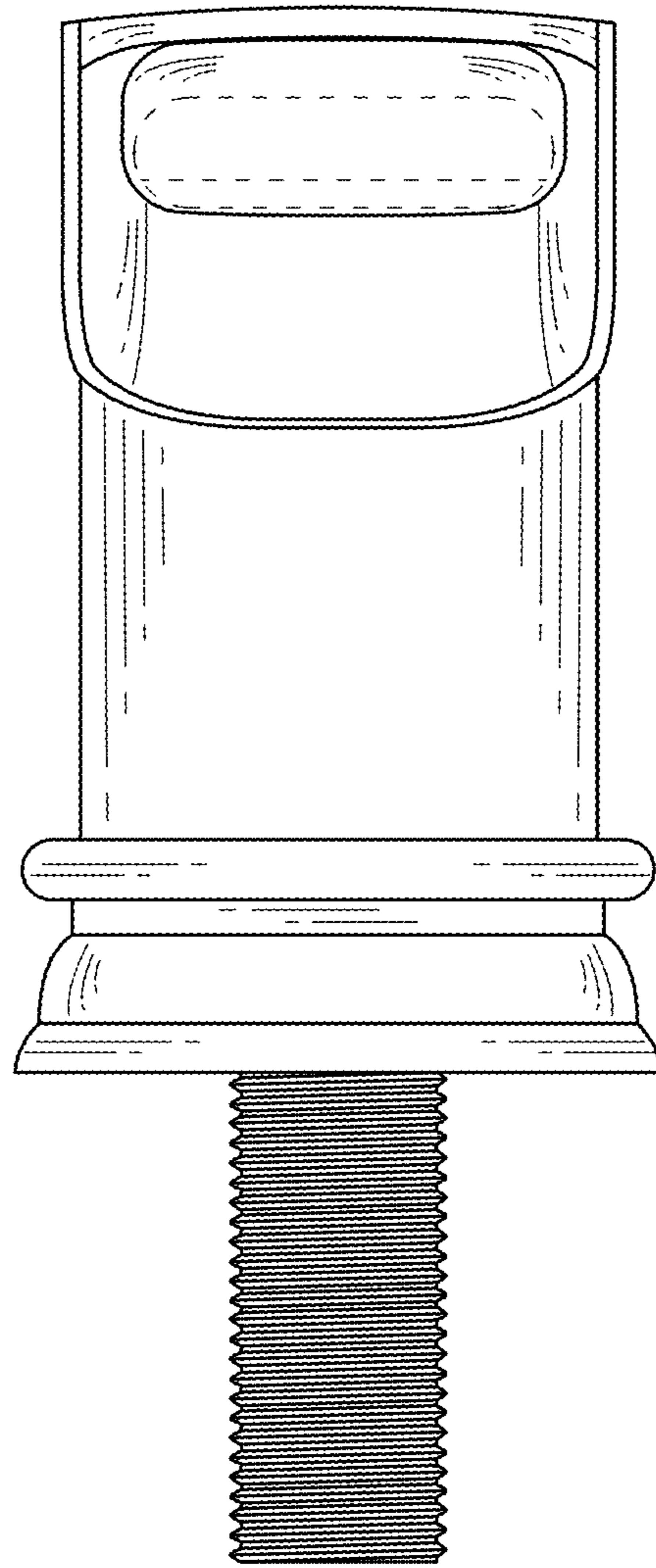


FIG. 2

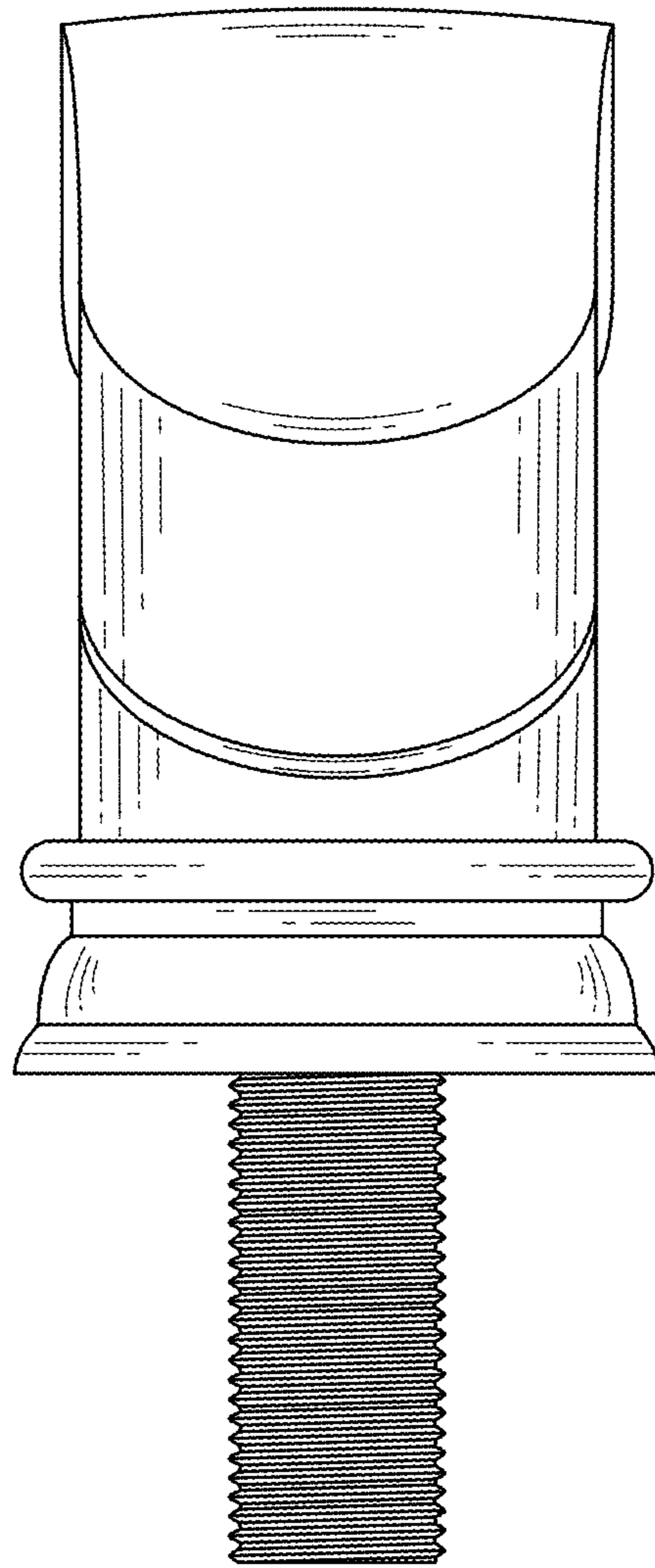


FIG. 3

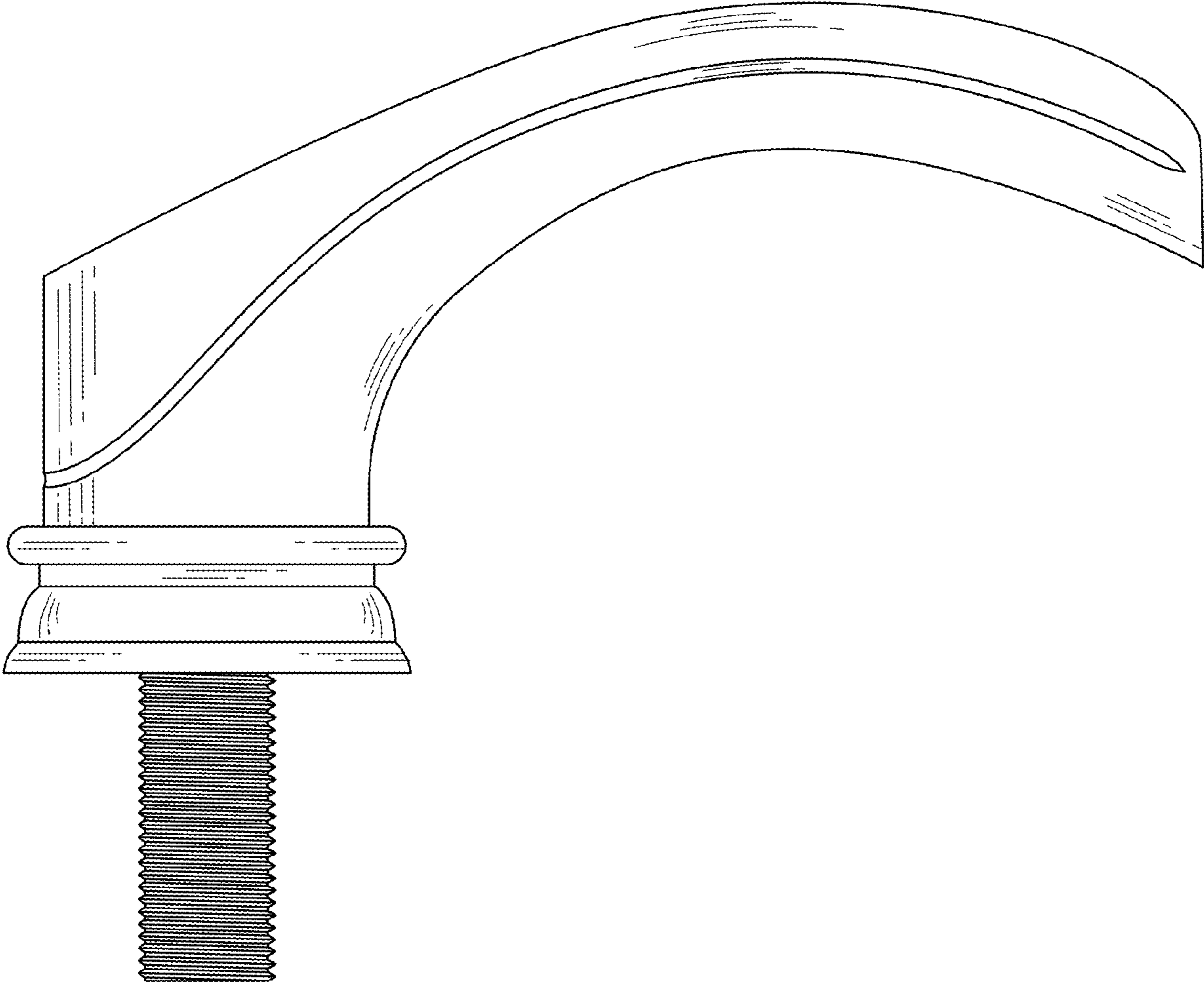


FIG. 4

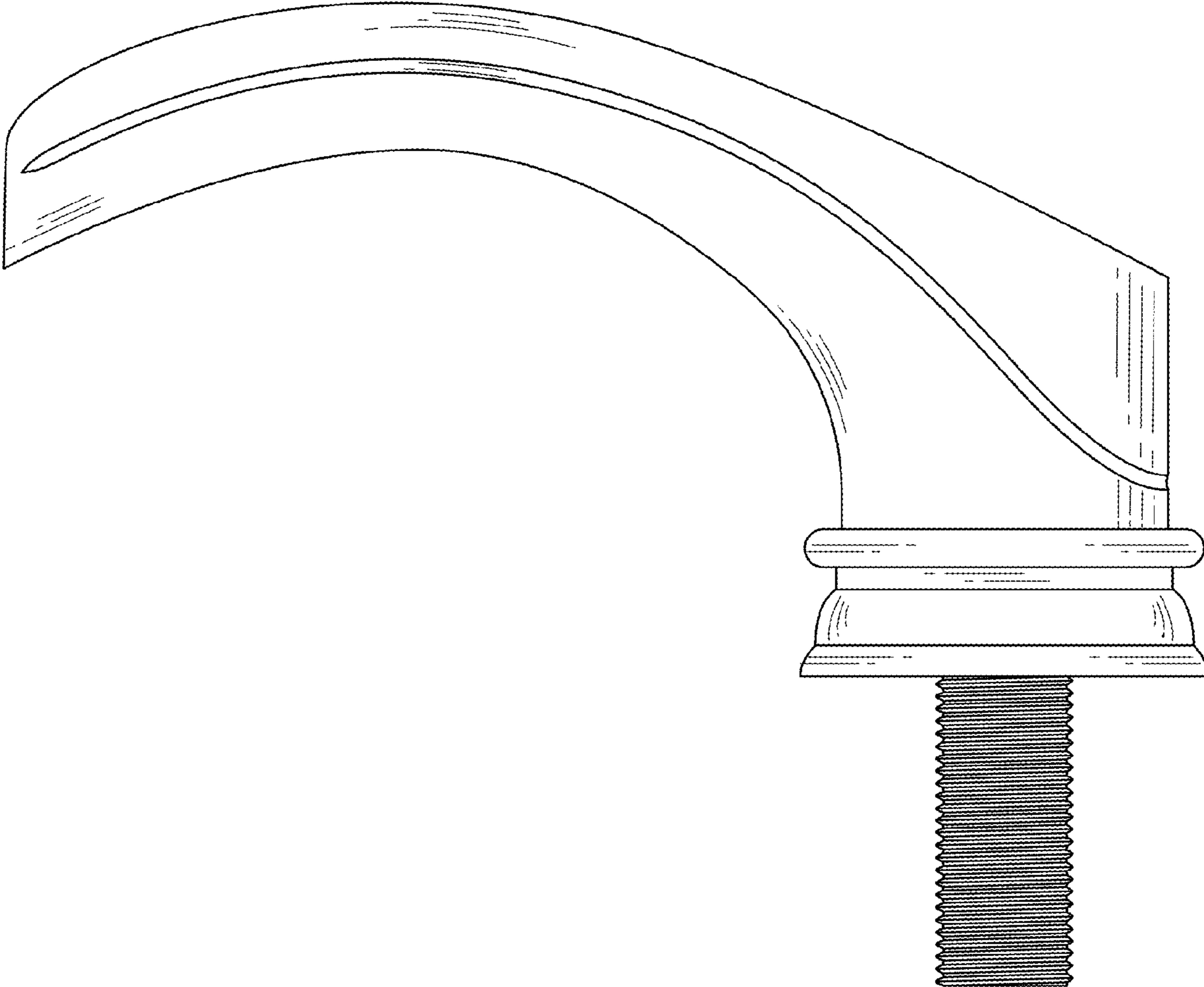


FIG. 5

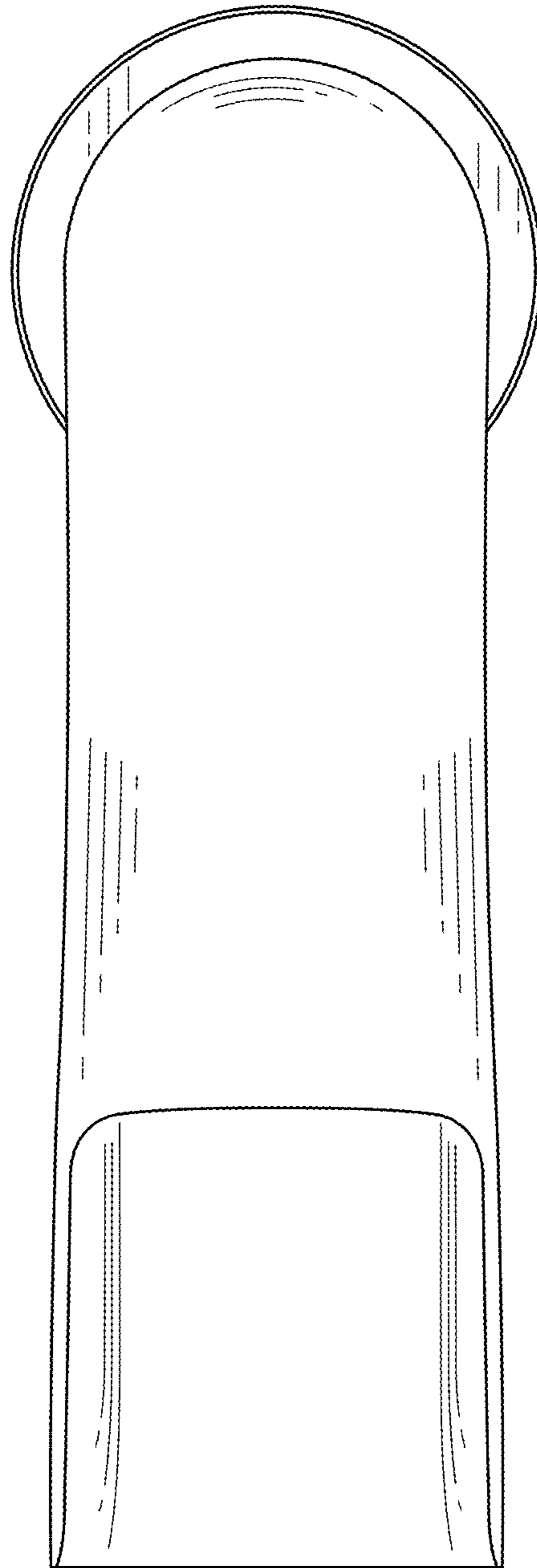


FIG. 6

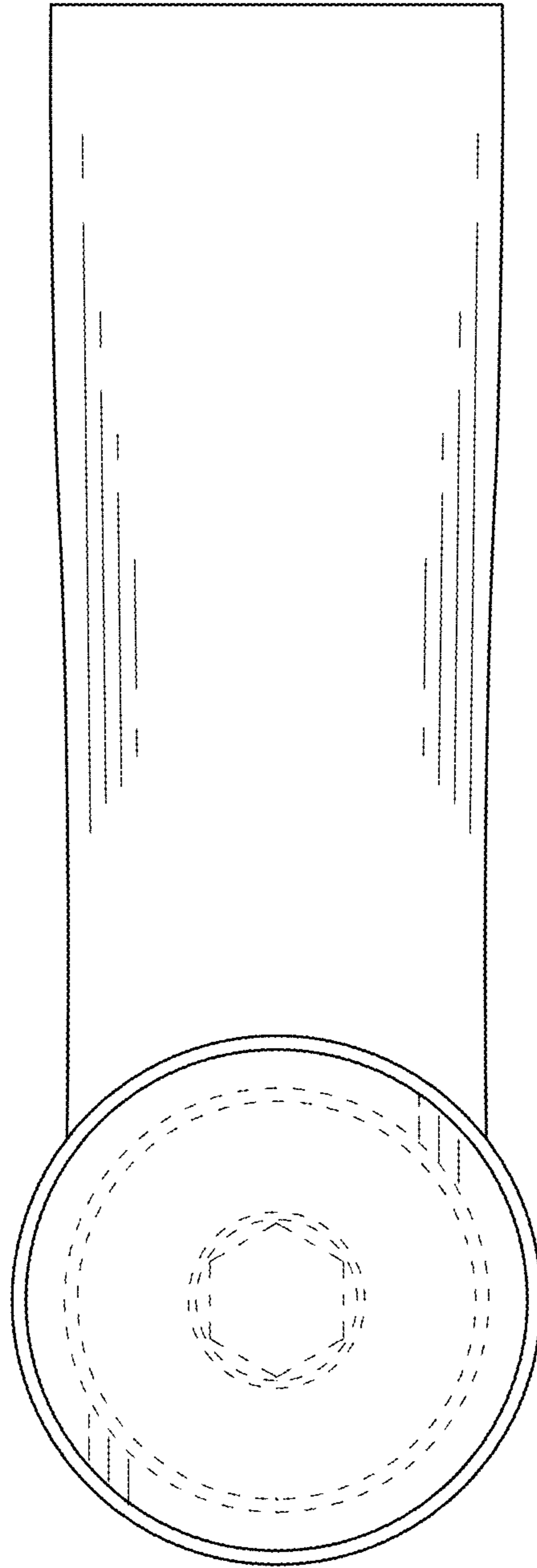


FIG. 7