



US00D873382S

(12) **United States Design Patent**
Stoler

(10) **Patent No.:** **US D873,382 S**

(45) **Date of Patent:** **** Jan. 21, 2020**

(54) **FAUCET HANDLE**

(71) Applicant: **DELTA FAUCET COMPANY,**
Indianapolis, IN (US)

(72) Inventor: **Benjamin David Stoler,** Carmel, IN
(US)

(73) Assignee: **DELTA FAUCET COMPANY,**
Indianapolis, IN (US)

(**) Term: **15 Years**

(21) Appl. No.: **29/641,865**

(22) Filed: **Mar. 26, 2018**

(51) **LOC (12) Cl.** **23-01**

(52) **U.S. Cl.**
USPC **D23/252**

(58) **Field of Classification Search**
USPC D23/238-240, 241-245, 249, 250-254,
D23/255, 257, 309; D8/300, 307, 308;
D7/394, 622, 395, 545, 398
CPC Y10T 137/9464
See application file for complete search history.

(56) **References Cited**

U.S. PATENT DOCUMENTS

D410,736 S * 6/1999 Slothower D23/250
D492,010 S * 6/2004 Sutopo D23/238

D492,981 S * 7/2004 Bloomstrom D23/238
D535,364 S * 1/2007 Gilbert D23/252
D598,984 S * 8/2009 Corbett D23/252
D668,322 S * 10/2012 Huang D23/252
D676,931 S * 2/2013 Berger D23/252
D681,168 S * 4/2013 Romero D23/238
D797,894 S * 9/2017 Fritz D23/252

* cited by examiner

Primary Examiner — Sheryl Lane

Assistant Examiner — Samatha N Wood

(74) *Attorney, Agent, or Firm* — Edgar A. Zarins; Nirav
D. Parikh

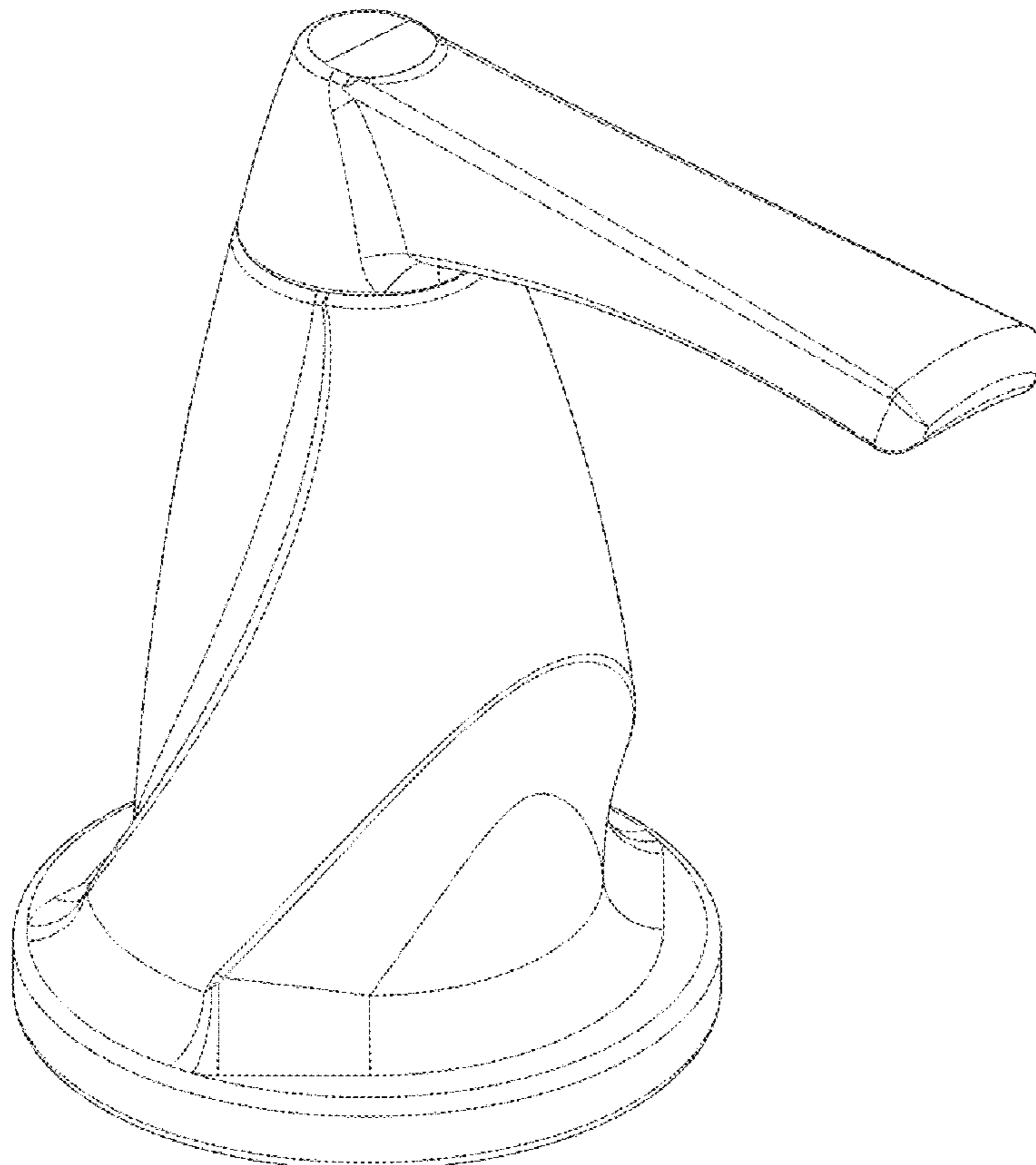
(57) **CLAIM**

The ornamental design for a faucet handle, as shown and described.

DESCRIPTION

FIG. 1 is a first perspective view of a faucet handle showing my new design;
FIG. 2 is a second perspective view thereof;
FIG. 3 is a front elevational view thereof;
FIG. 4 is a first side view thereof;
FIG. 5 is a rear view thereof;
FIG. 6 is a second side view thereof; and,
FIG. 7 is a top end view thereof.

1 Claim, 4 Drawing Sheets



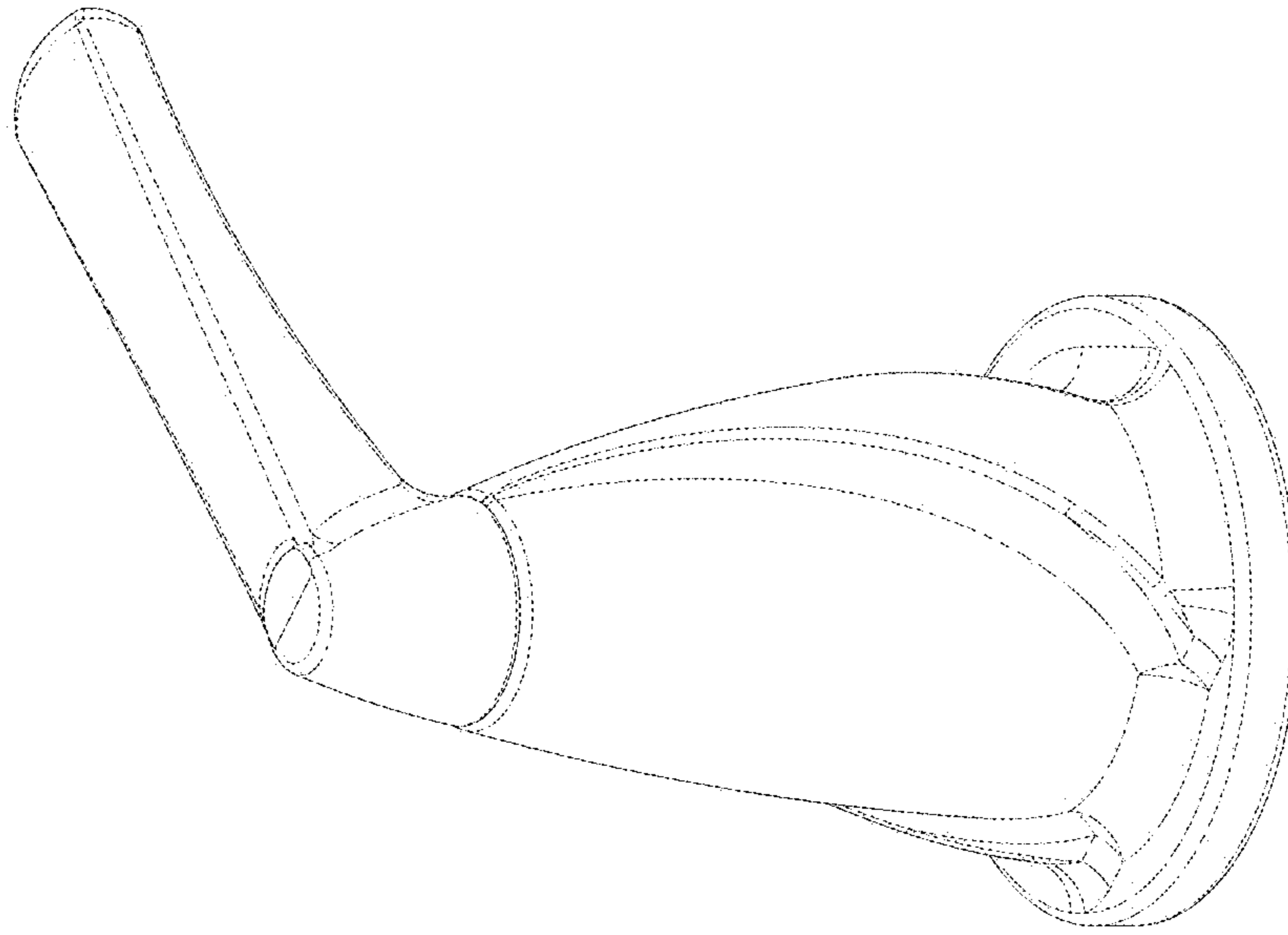


FIG - 2

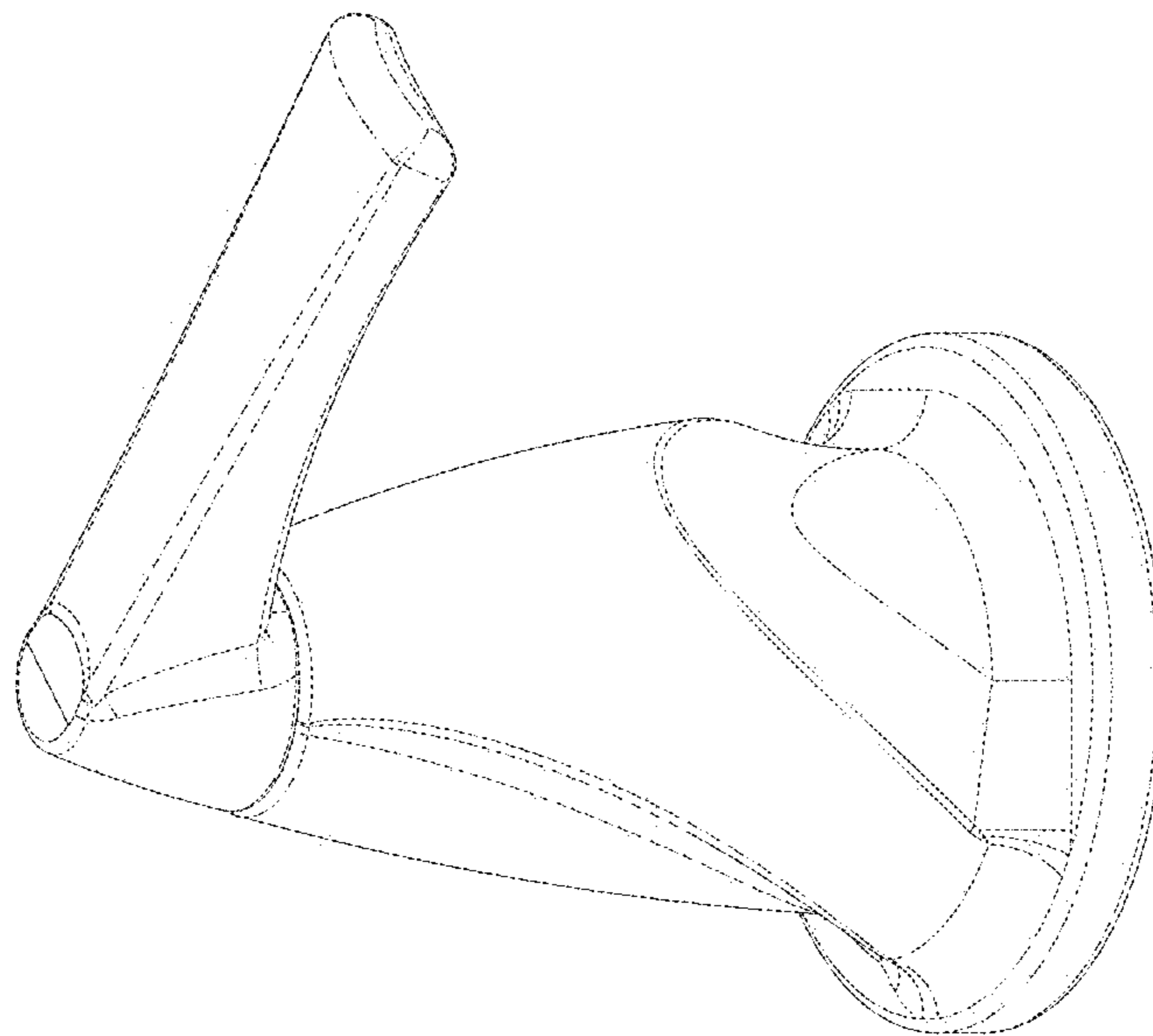


FIG - 1

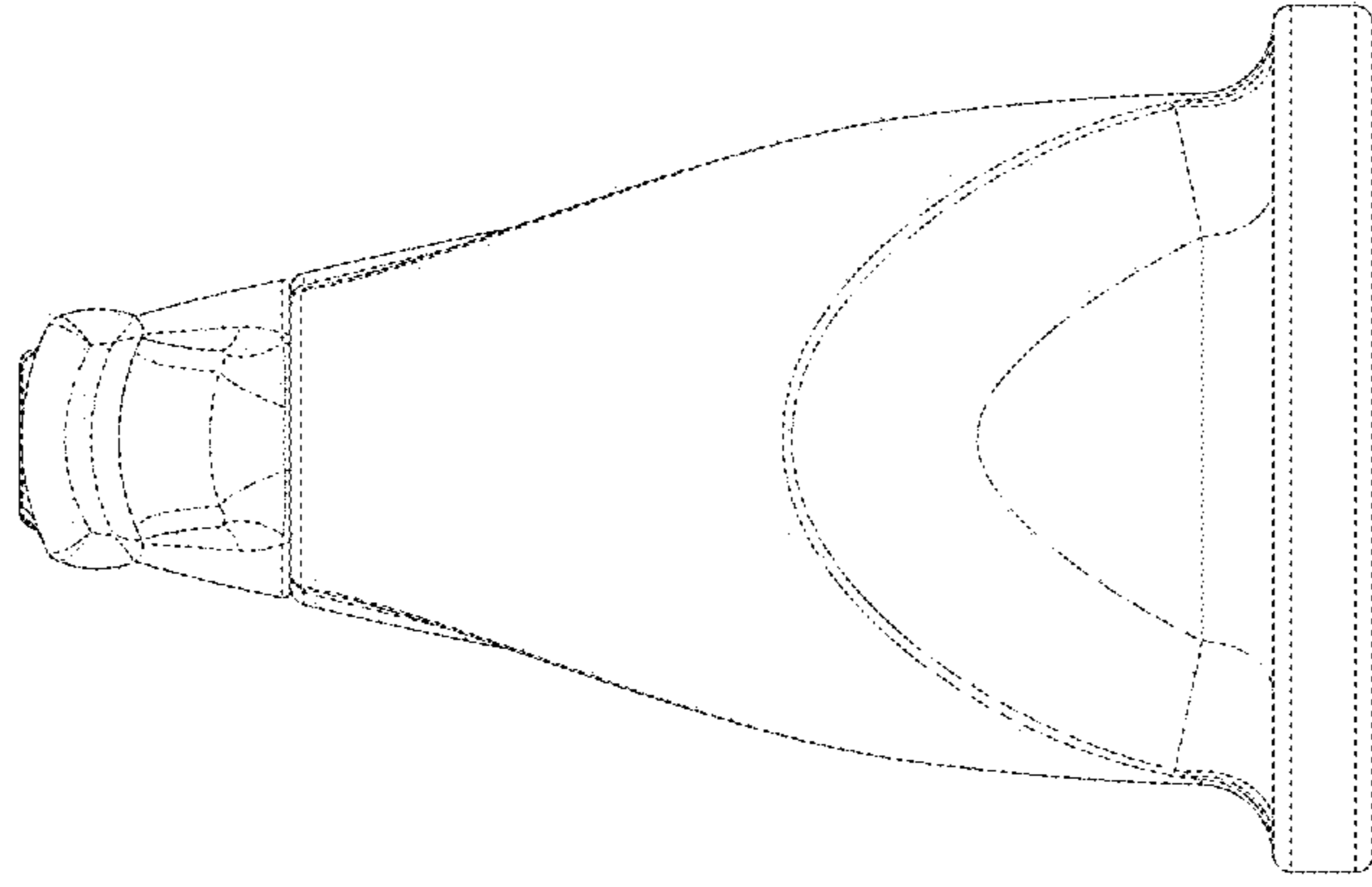


FIG - 4

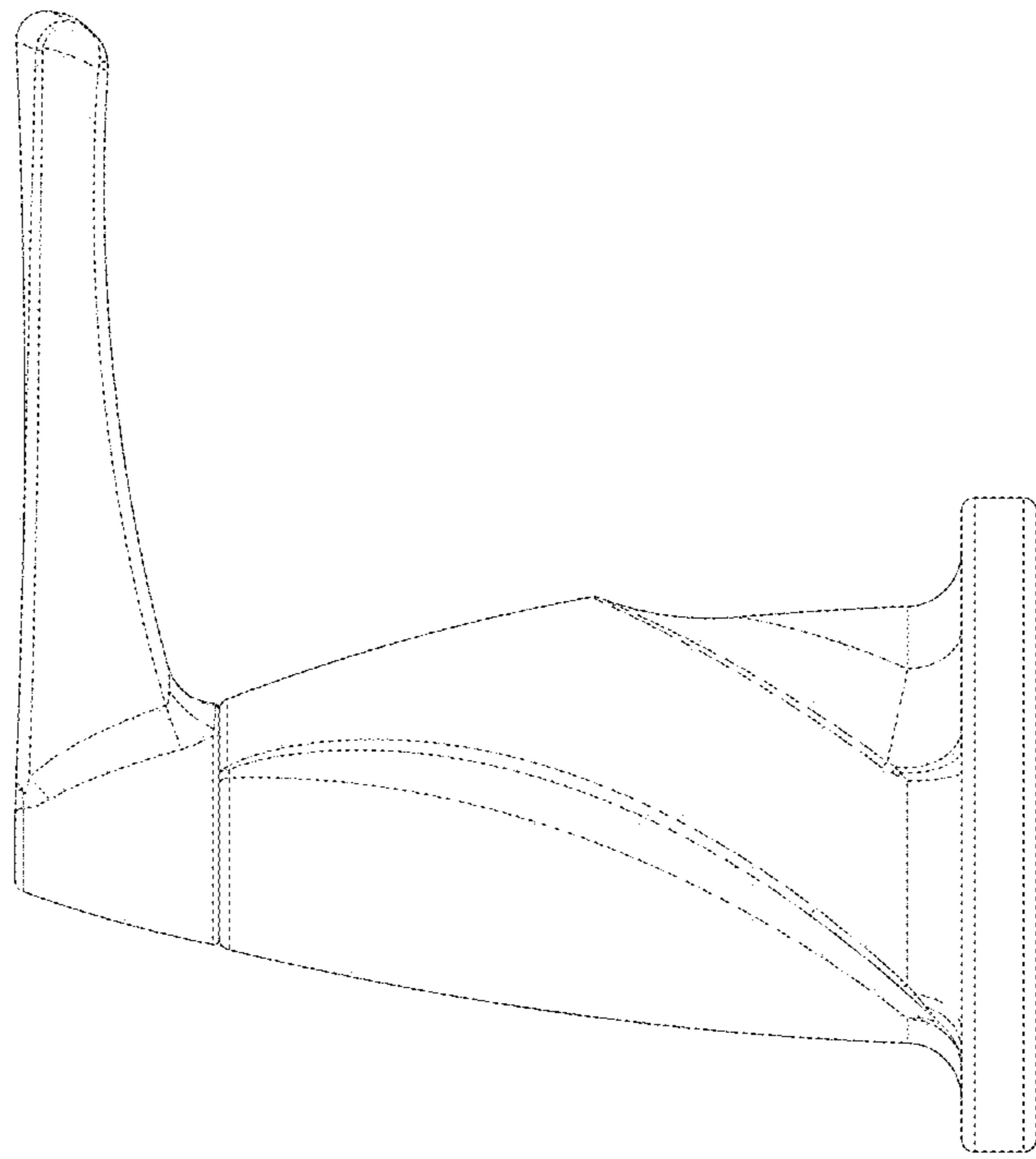


FIG - 3

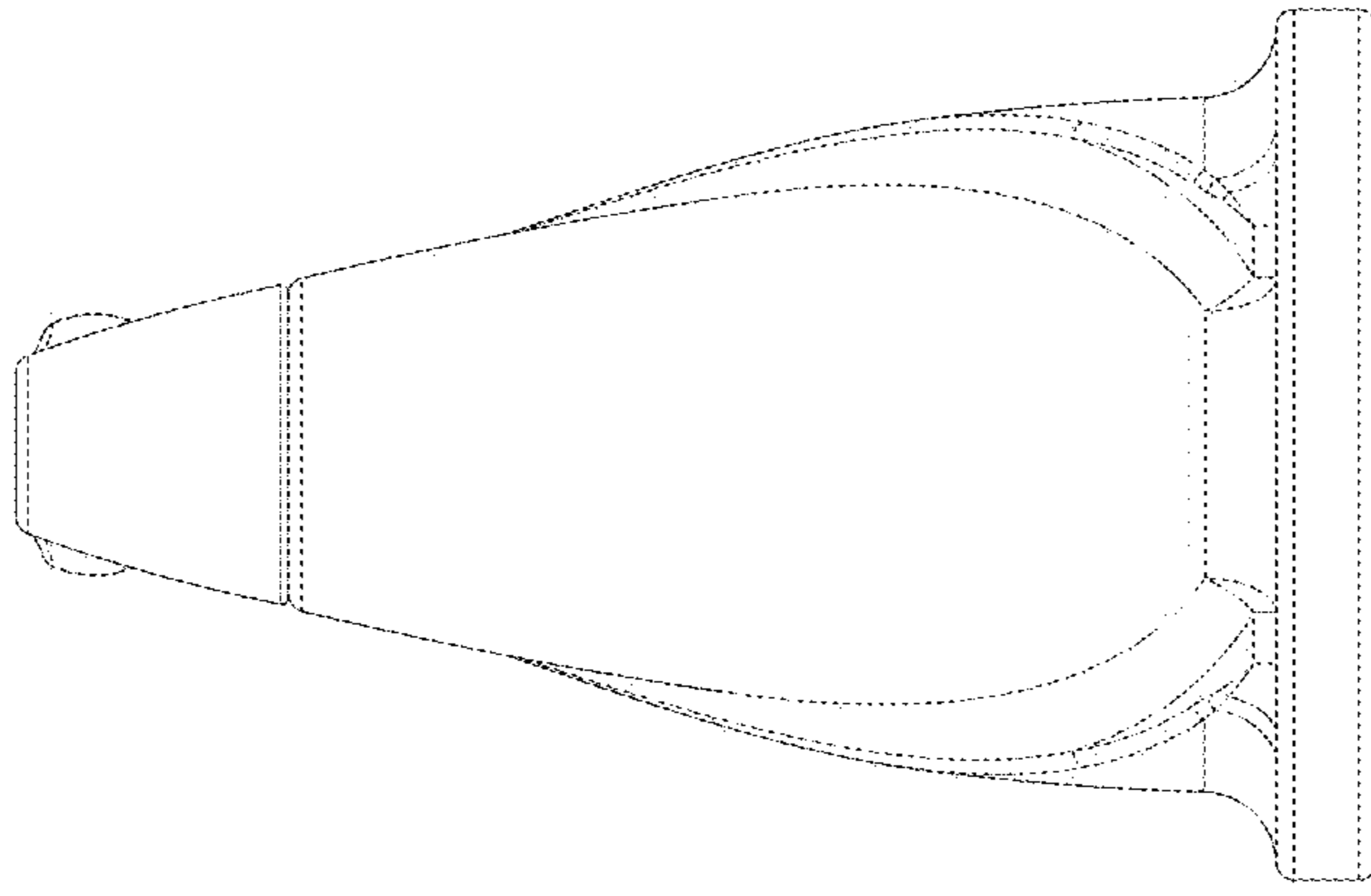


FIG - 6

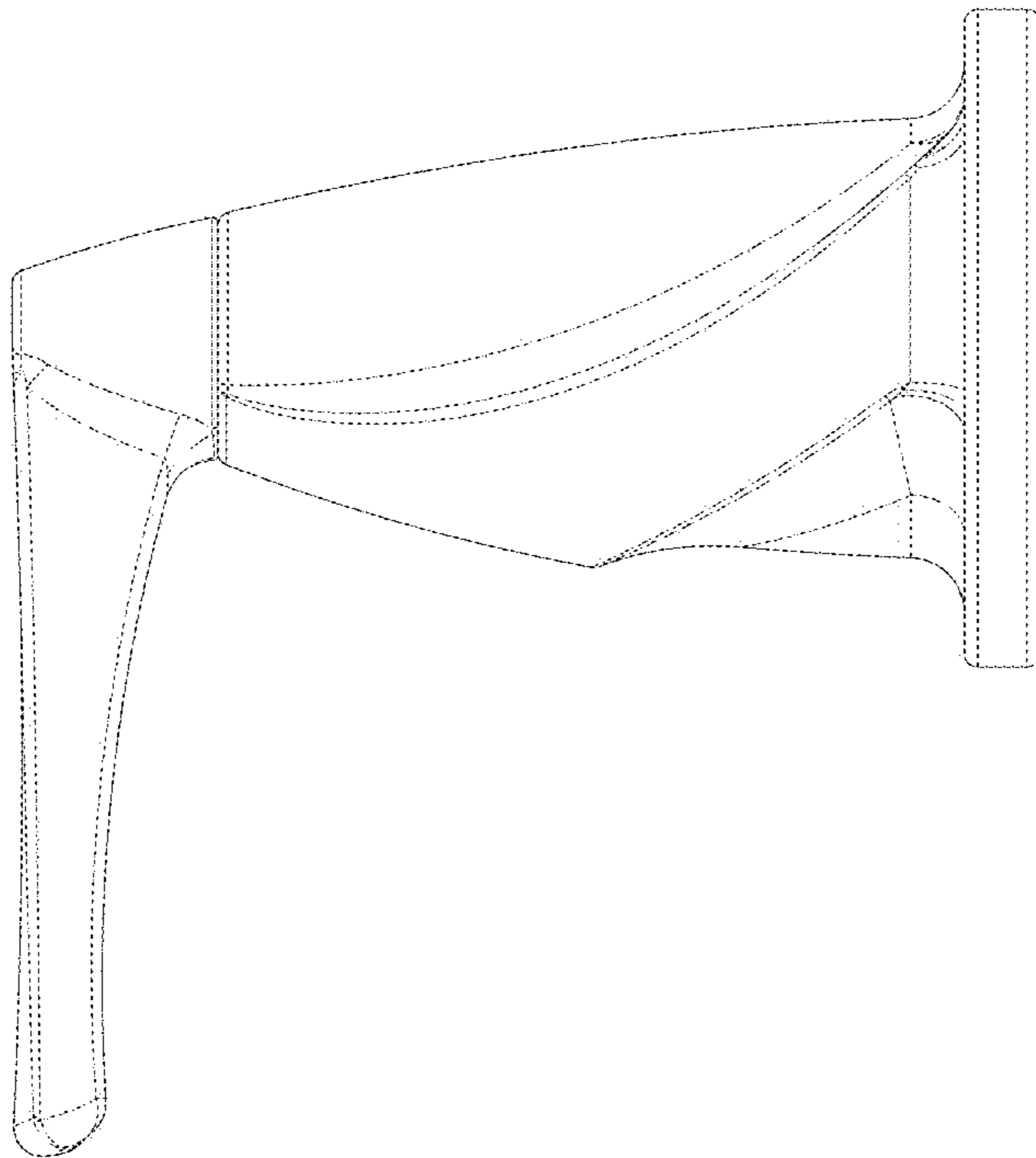


FIG - 5

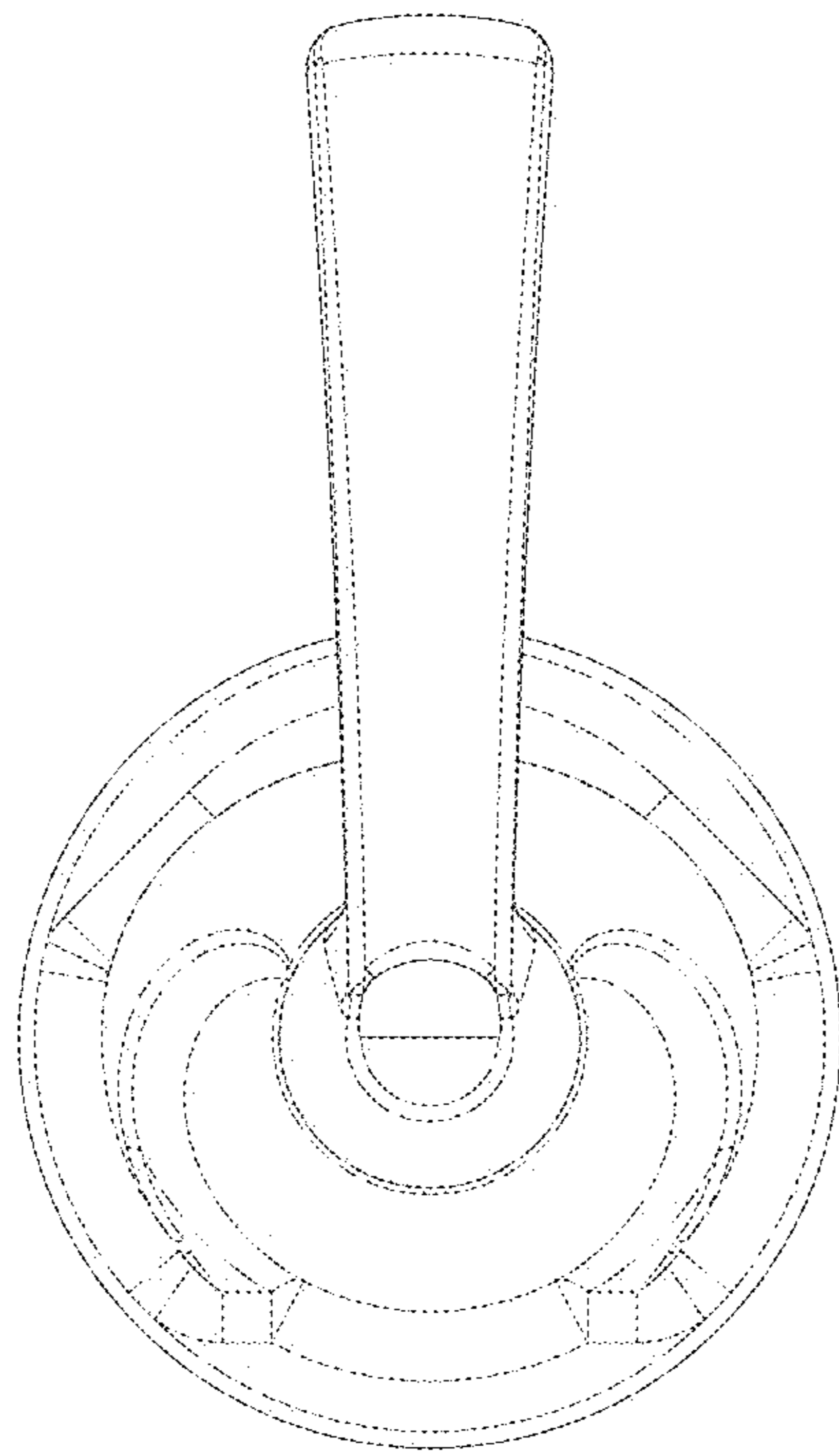


FIG - 7