



US00D873381S

(12) **United States Design Patent**
Eads

(10) **Patent No.:** **US D873,381 S**

(45) **Date of Patent:** **** Jan. 21, 2020**

(54) **FAUCET HANDLE**

(71) Applicant: **DELTA FAUCET COMPANY,**
Indianapolis, IN (US)

(72) Inventor: **Thad Eads,** Urbana, IN (US)

(73) Assignee: **DELTA FAUCET COMPANY,**
Indianapolis, IN (US)

(**) Term: **15 Years**

(21) Appl. No.: **29/638,239**

(22) Filed: **Feb. 26, 2018**

(51) **LOC (12) Cl.** **23-01**

(52) **U.S. Cl.**
USPC **D23/252**

(58) **Field of Classification Search**
USPC D23/238, 241-243, 252, 254, 245;
D8/307-308
CPC F16K 31/60; F16K 31/602; F16K 31/605;
F16K 31/607; E03C 1/0412; E03C
1/0409

See application file for complete search history.

(56) **References Cited**

U.S. PATENT DOCUMENTS

D516,675 S * 3/2006 Kakihana D23/241
D517,661 S * 3/2006 Wolf D23/252

D596,712 S * 7/2009 Schoenherr D23/252
D674,881 S * 1/2013 Kwok D23/252
D706,399 S * 6/2014 Yang D23/252
9,689,147 B2 * 6/2017 Crowe E03C 1/0401
D810,884 S * 2/2018 Garland D23/252

* cited by examiner

Primary Examiner — Robert A Delehanty

(74) *Attorney, Agent, or Firm* — Edgar A. Zarins; Nirav
D. Parikh

(57) **CLAIM**

The ornamental design for a faucet handle, as shown and
described.

DESCRIPTION

FIG. 1 is a first perspective view of a faucet handle showing
my new design;

FIG. 2 is a second perspective view thereof;

FIG. 3 is a front elevational view thereof;

FIG. 4 is a first side view thereof;

FIG. 5 is a rear view thereof;

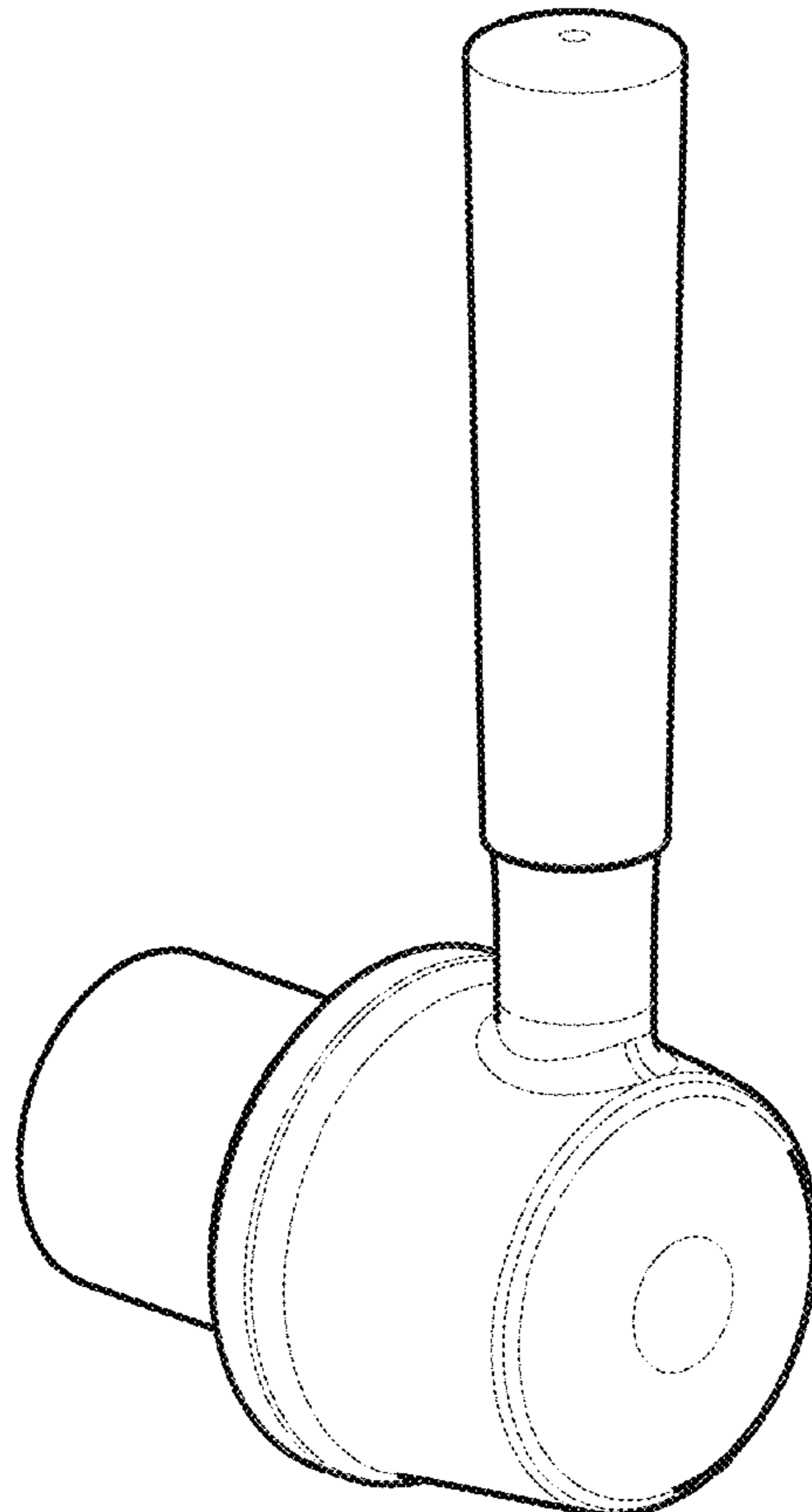
FIG. 6 is a second side view thereof;

FIG. 7 is a top end view thereof; and,

FIG. 8 is a bottom end view thereof.

Portions of the article shown in broken lines form no part of
the claimed design.

1 Claim, 4 Drawing Sheets



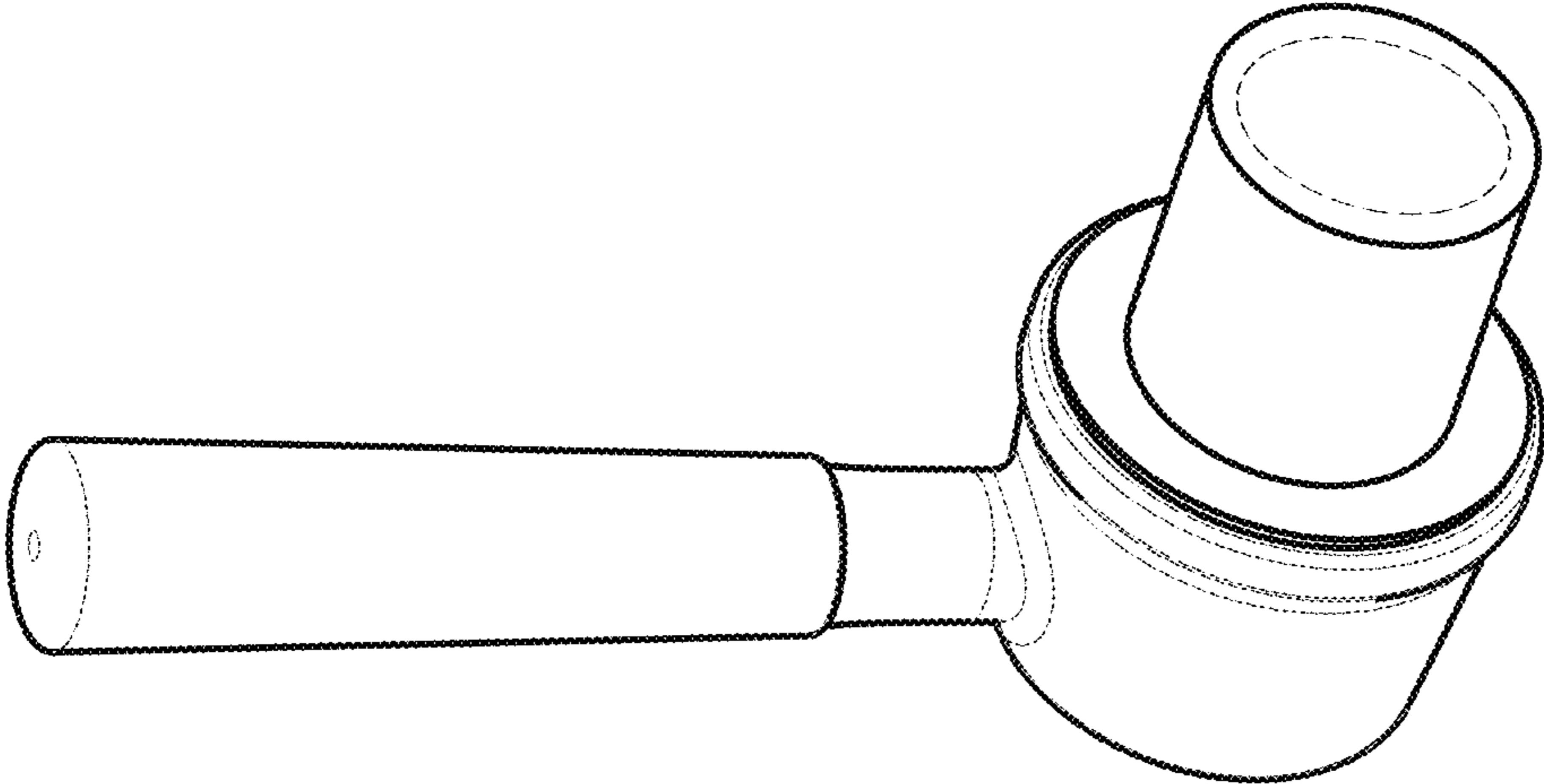


Fig. 2

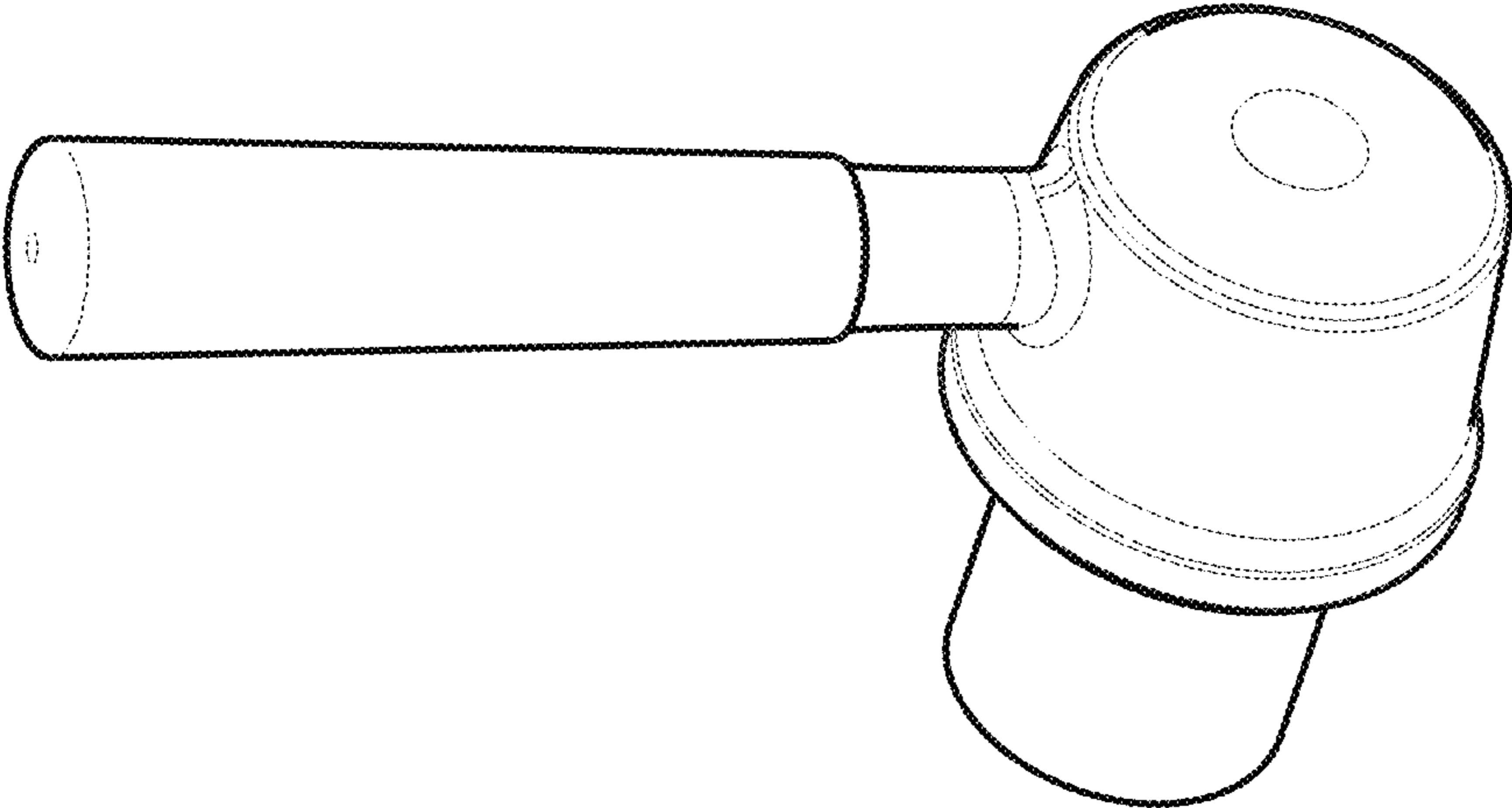


Fig. 1

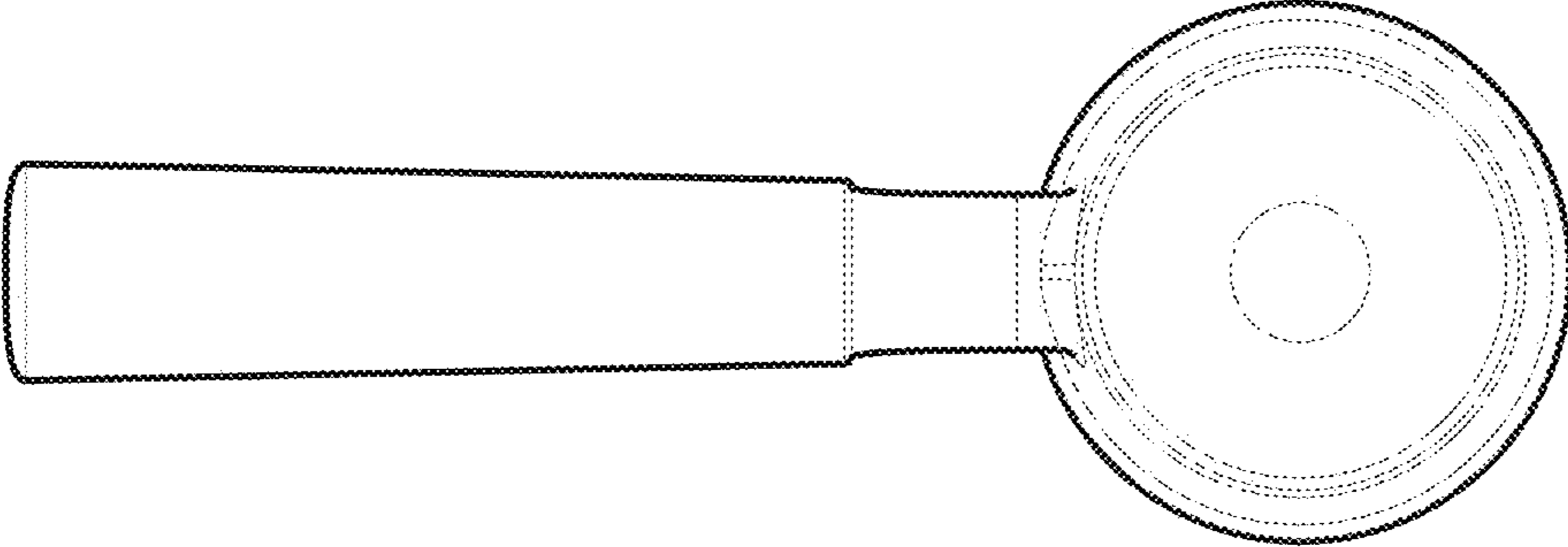


Fig. 3

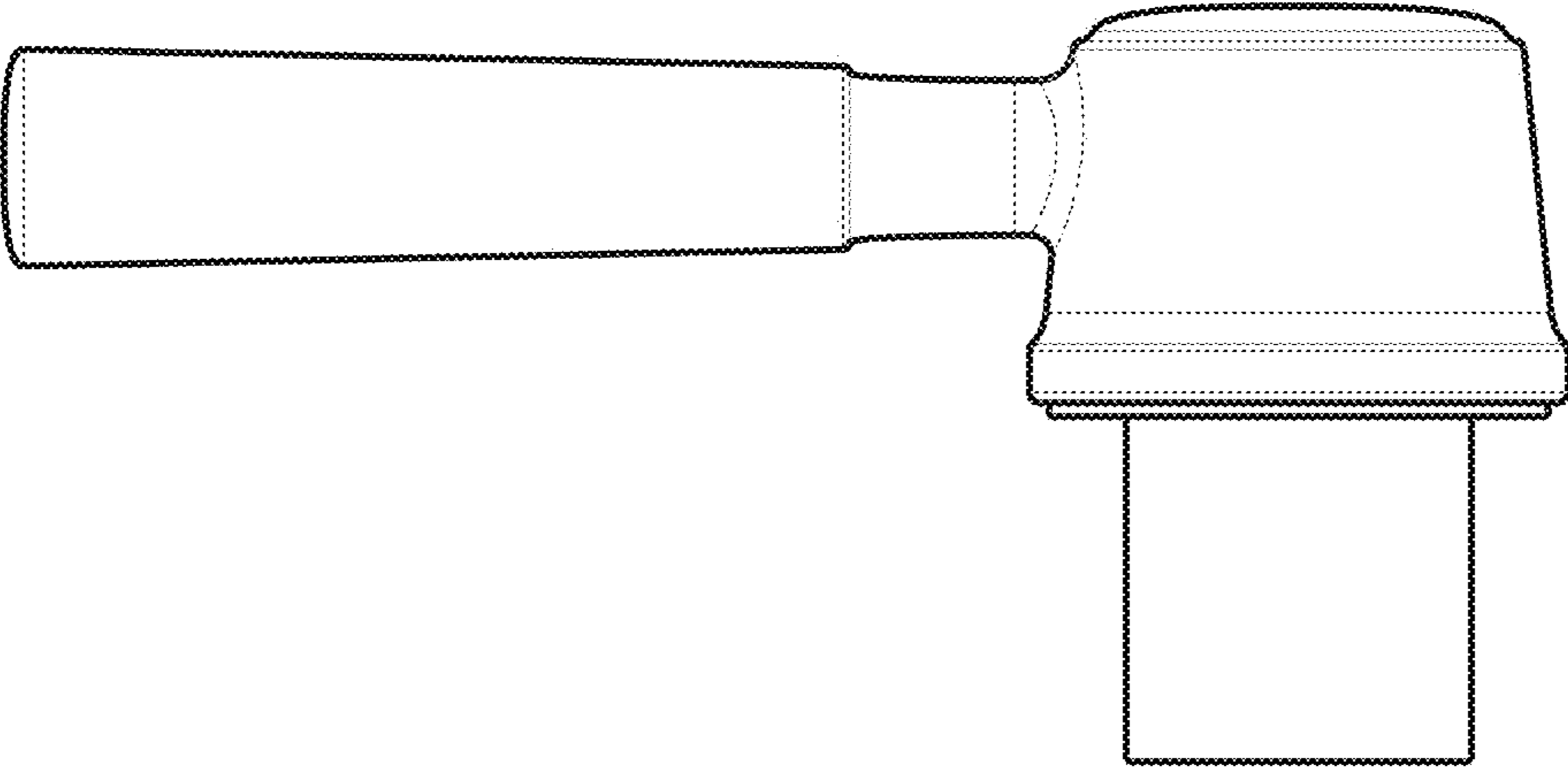


Fig. 4

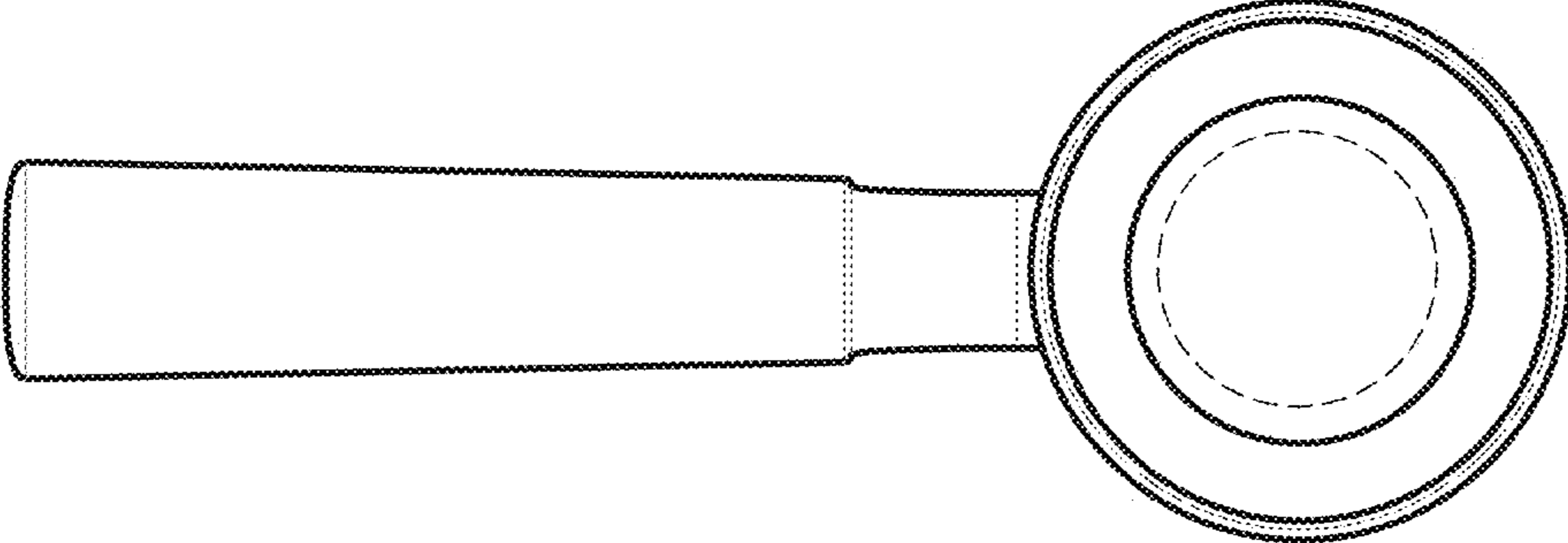


Fig. 5

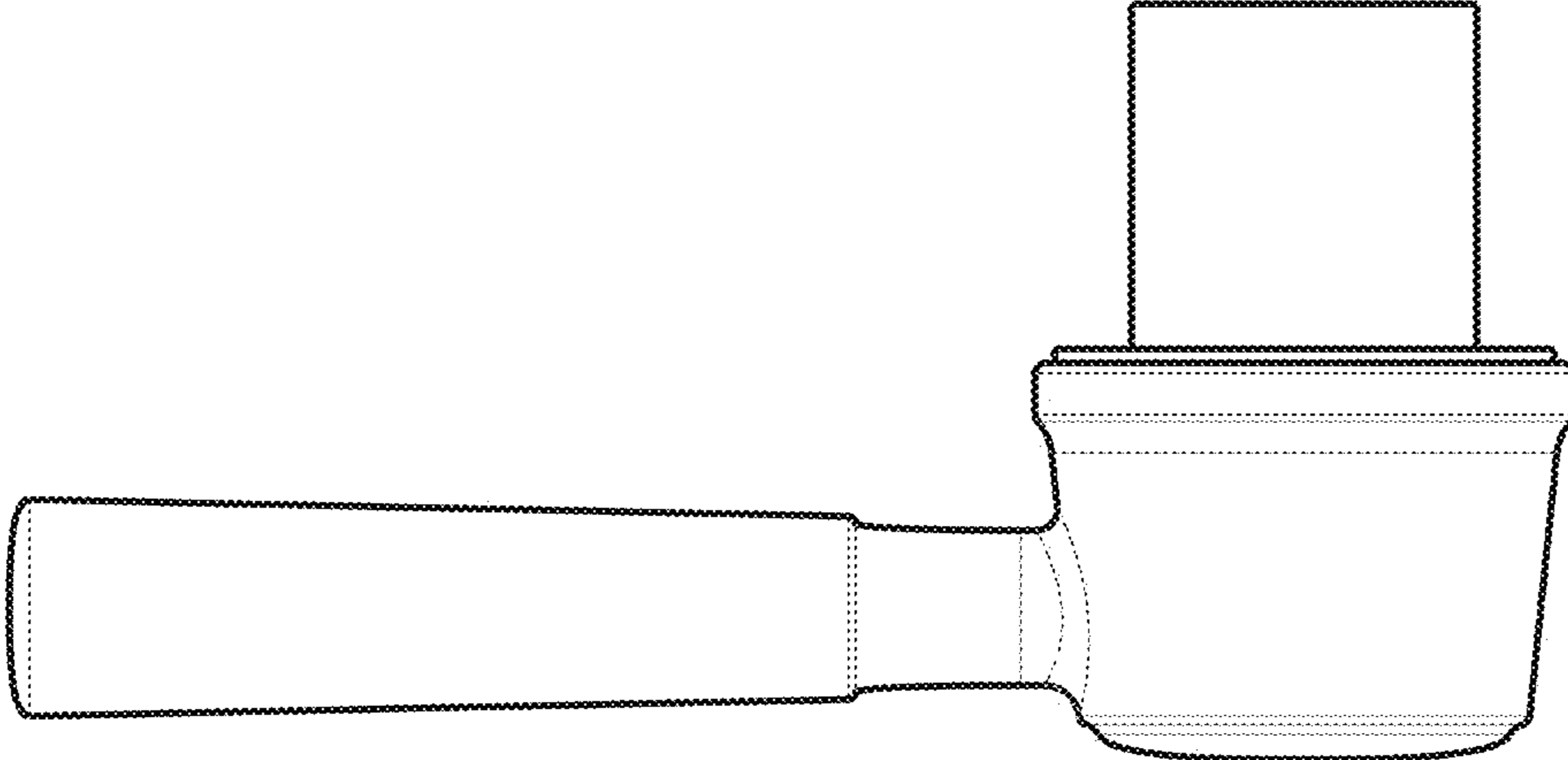


Fig. 6

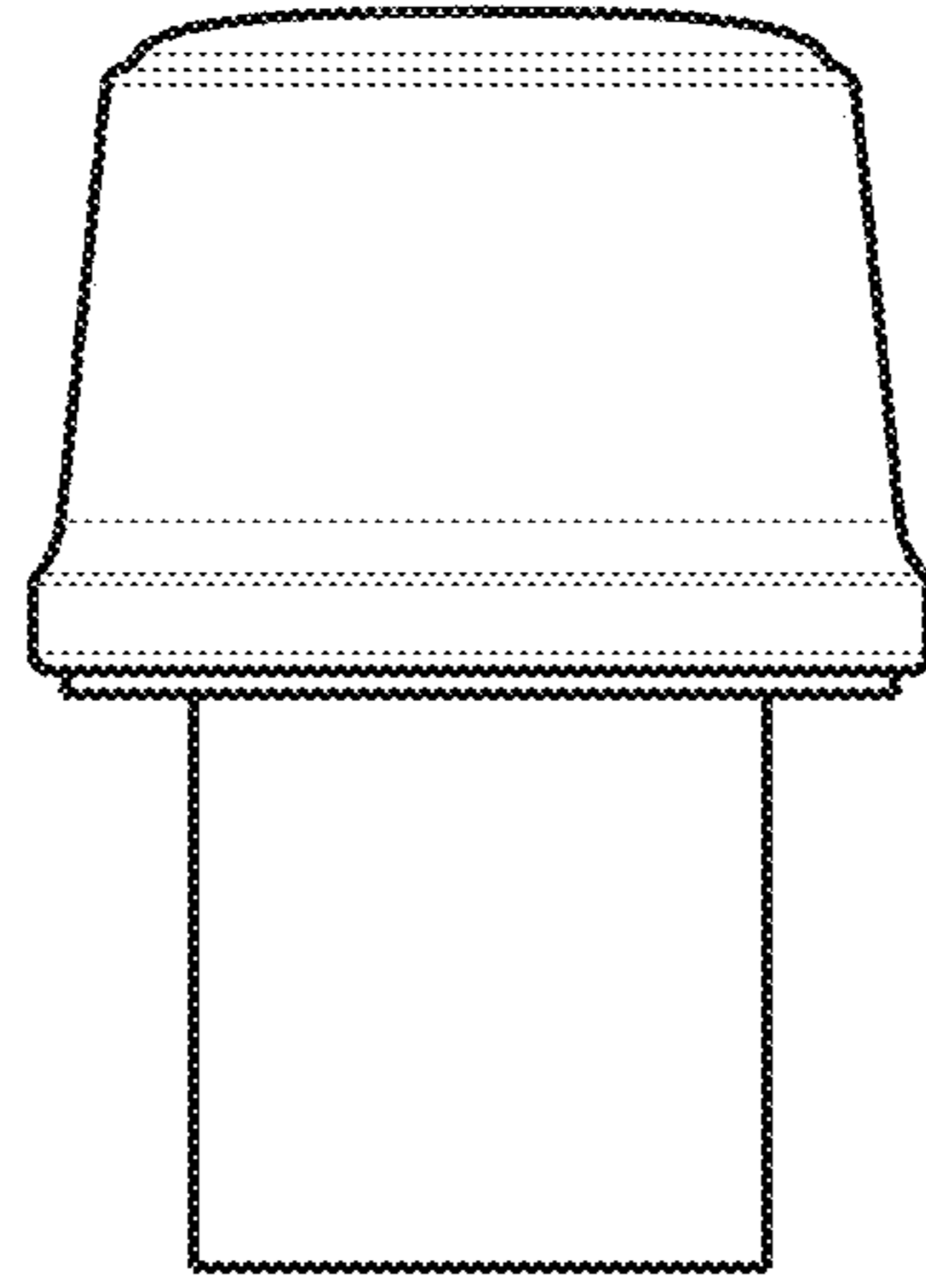


Fig. 8

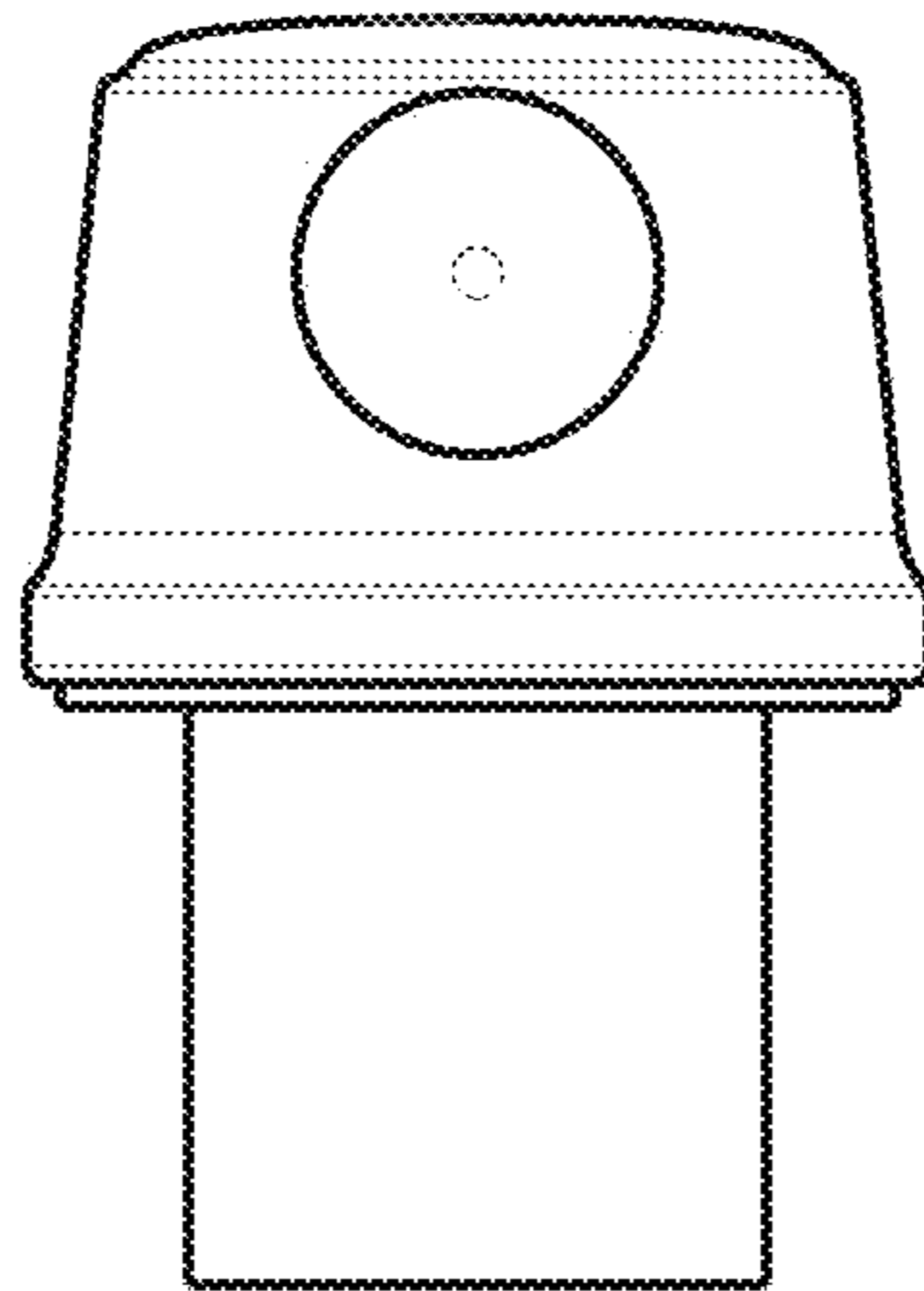


Fig. 7